



US00D721405S

(12) **United States Design Patent**
Nishizawa et al.

(10) **Patent No.:** **US D721,405 S**
(45) **Date of Patent:** **** Jan. 20, 2015**

(54) **TOY BELT**

- (71) Applicant: **Bandai Co., Ltd.**, Tokyo (JP)
- (72) Inventors: **Kiyoto Nishizawa**, Tokyo (JP); **Sojiro Tanaka**, Tokyo (JP); **Akira Onodera**, Tokyo (JP)
- (73) Assignee: **Bandai Co., Ltd.**, Tokyo (JP)
- (**) Term: **14 Years**
- (21) Appl. No.: **29/482,857**
- (22) Filed: **Feb. 21, 2014**
- (51) **LOC (10) Cl.** **21-01**
- (52) **U.S. Cl.**
USPC **D21/398**
- (58) **Field of Classification Search**
USPC D21/398, 405, 465, 468, 475–477, 483, D21/513, 516, 532, 567, 578, 579–584, D21/585; D2/627–638; D11/200, 201, 232, D11/233, 238, 239, 2–5; D10/31–35; 446/26, 28, 71–73, 76, 81, 227, 397, 446/404, 473, 484, 487, 489, 491
See application file for complete search history.

(56) **References Cited**

U.S. PATENT DOCUMENTS

D167,439 S *	8/1952	Brock	D11/211
3,026,642 A *	3/1962	Ryan	42/1.11
4,571,199 A *	2/1986	Murakami	446/73
D284,357 S *	6/1986	Nakane	D10/33
D284,453 S *	7/1986	Nakane	D10/33
D287,574 S *	1/1987	Nakane	D10/33
D288,343 S *	2/1987	Ogawa	D21/531
D291,973 S *	9/1987	Doi	D10/33
4,897,826 A *	1/1990	Rigberg et al.	368/282
D390,478 S *	2/1998	Brzezinski	D10/32
D462,336 S *	9/2002	Chaiken et al.	D14/138 R
D529,896 S *	10/2006	Anderson et al.	D14/189
D654,961 S *	2/2012	Onodera et al.	D21/398
D709,967 S *	7/2014	Takahashi et al.	D21/579

FOREIGN PATENT DOCUMENTS

CN	301310198	*	8/2010
CN	301581900	*	6/2011
CN	302424309	*	5/2013
JP	D1312349	*	10/2007

* cited by examiner

Primary Examiner — Catherine Tuttle

(74) *Attorney, Agent, or Firm* — Rabin & Berdo, P.C.

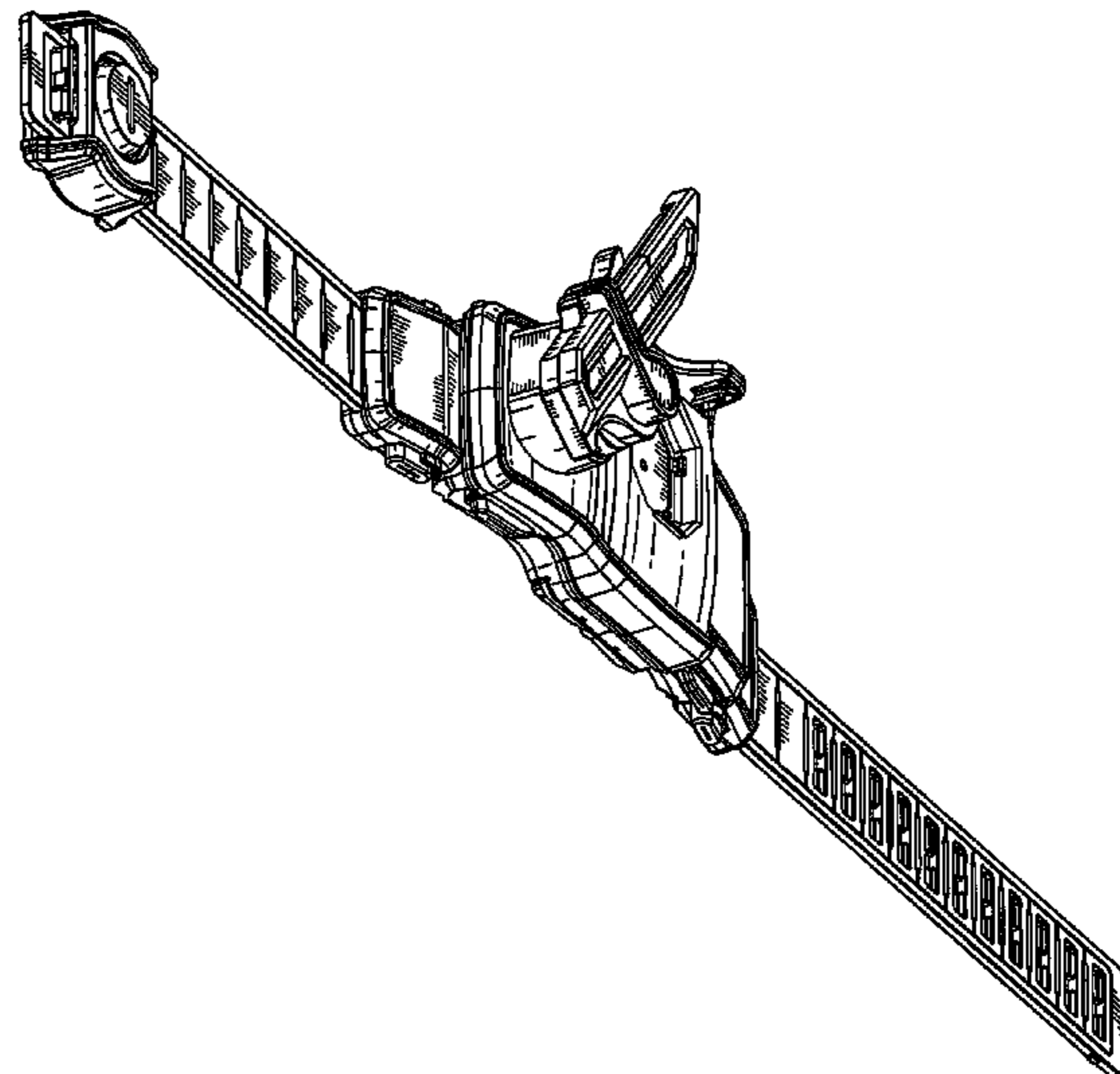
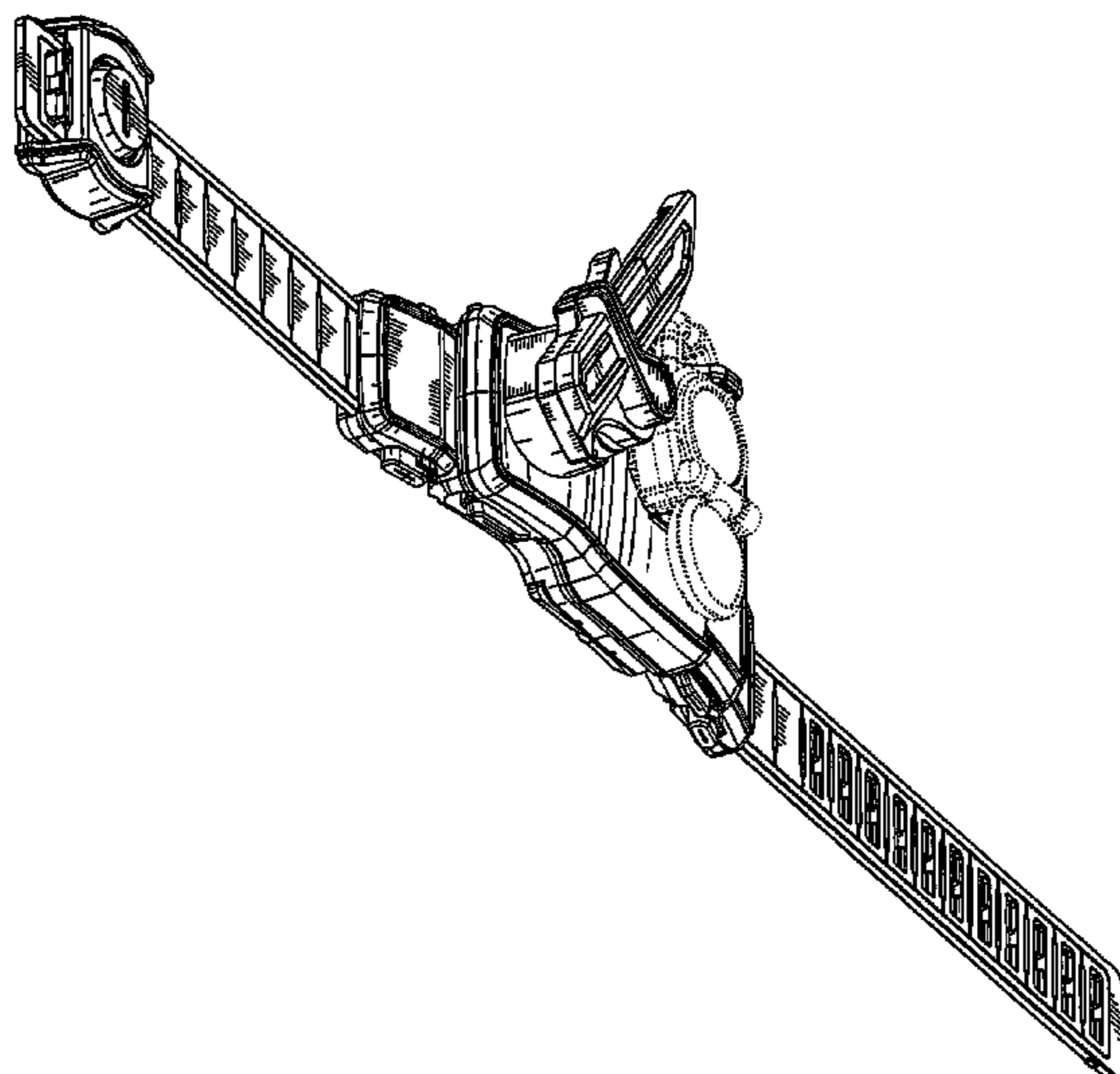
(57) **CLAIM**

The ornamental design for a toy belt, as shown and described.

DESCRIPTION

FIG. 1 is a right, front and bottom perspective view of the toy belt showing our new design;
 FIG. 2 is a front, bottom and left perspective view thereof;
 FIG. 3 is a front view thereof;
 FIG. 4 is a rear view thereof;
 FIG. 5 is a top view thereof;
 FIG. 6 is a bottom view thereof;
 FIG. 7 is right side view thereof;
 FIG. 8 is a left side view thereof;
 FIG. 9 is a right, front and bottom perspective view shown with a detachable front portion removed to disclose the underlying portions;
 FIG. 10 is a front, bottom and left perspective view thereof;
 FIG. 11 is a front view thereof;
 FIG. 12 is a rear view thereof;
 FIG. 13 is a top view thereof;
 FIG. 14 is a bottom view thereof;
 FIG. 15 is a right side view thereof; and,
 FIG. 16 is a left side view thereof.
 The broken lines showing of the detachable front portion and rear surface details are included for the purpose of illustrating the portions of the toy belt that form no part of the claimed design.

1 Claim, 14 Drawing Sheets



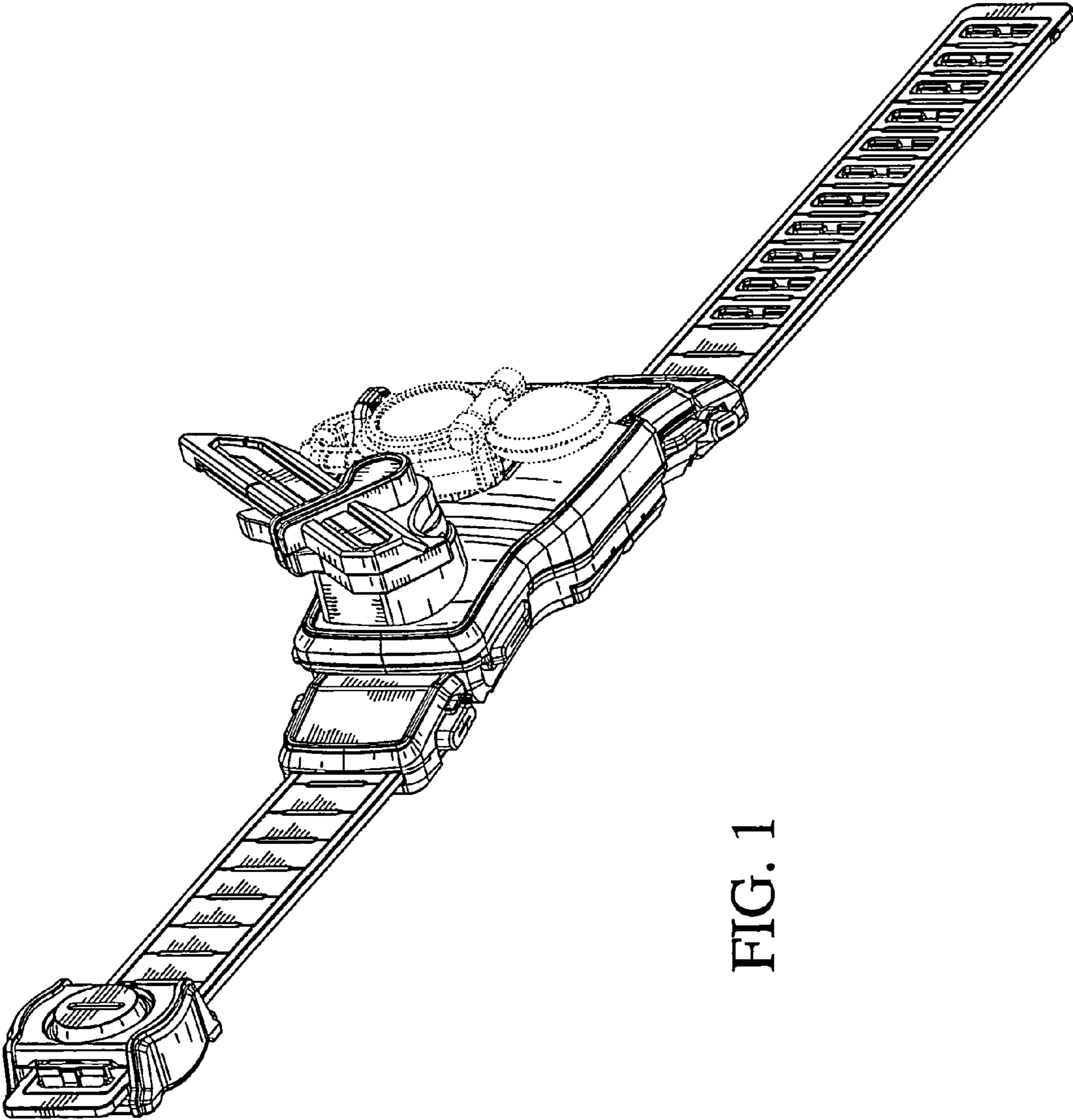


FIG. 1

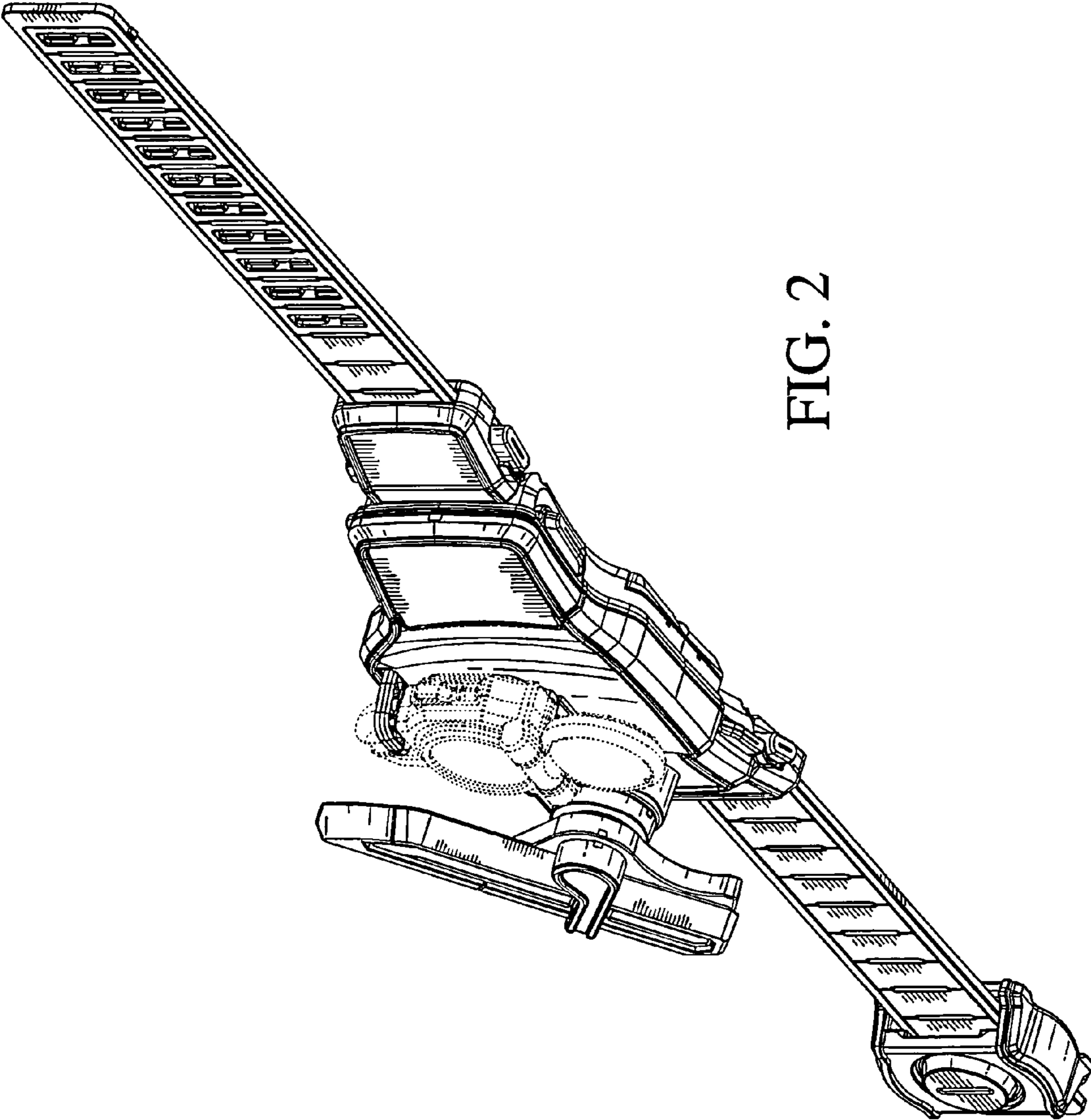


FIG. 2

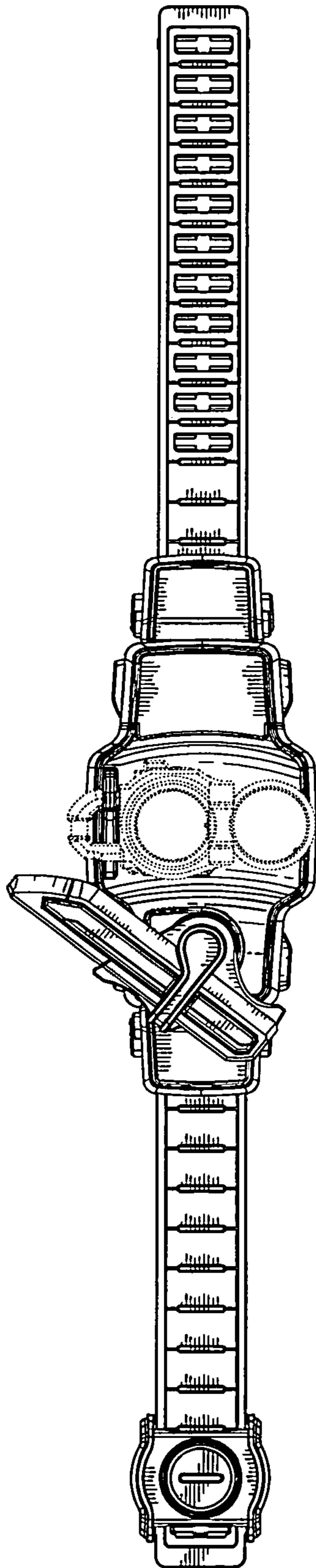


FIG. 3

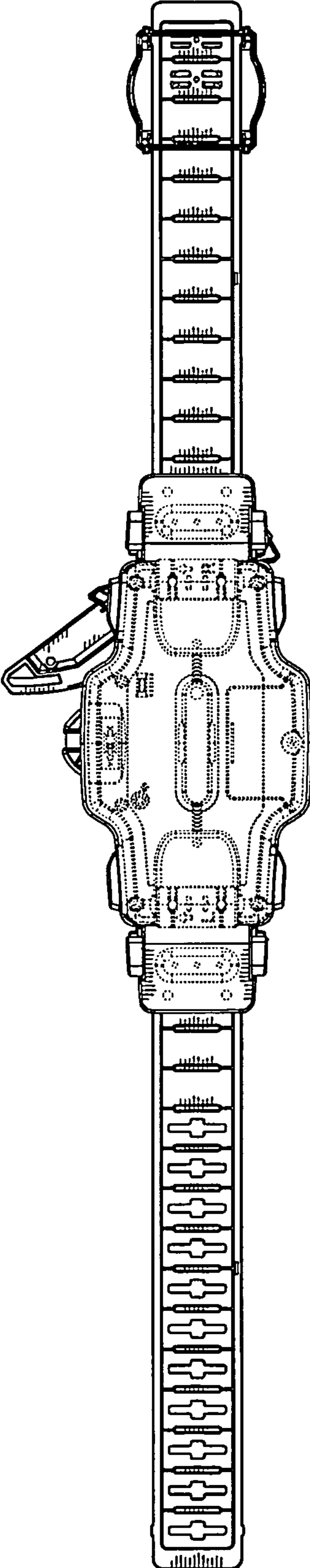


FIG. 4

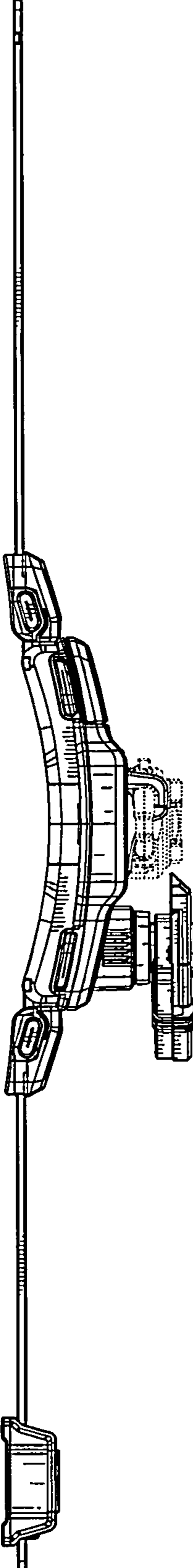


FIG. 5

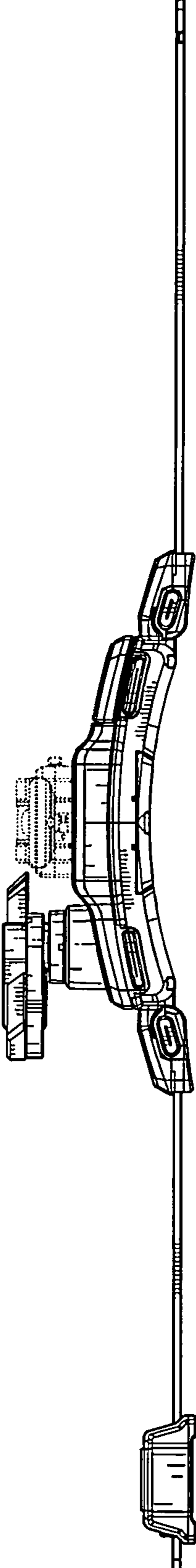


FIG. 6

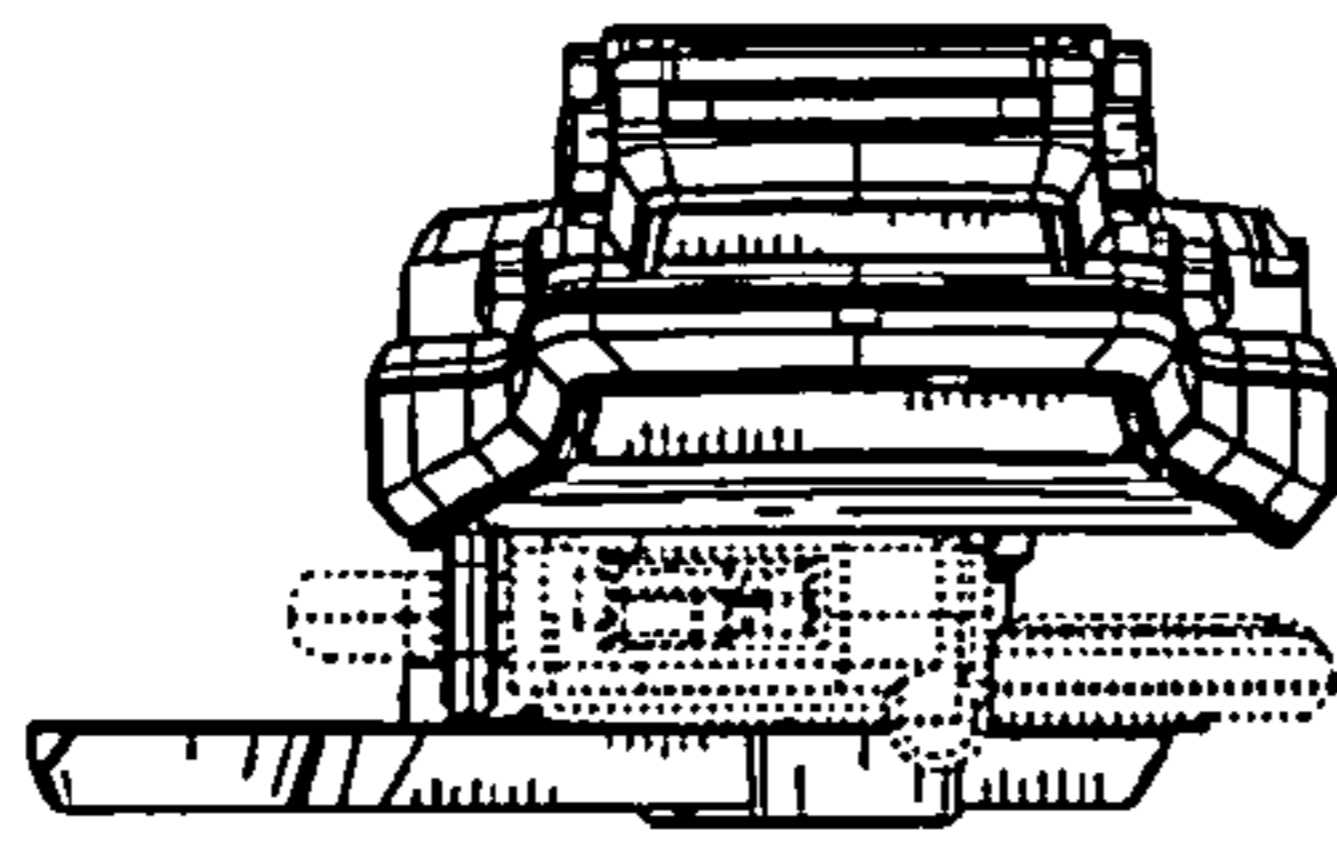


FIG. 8

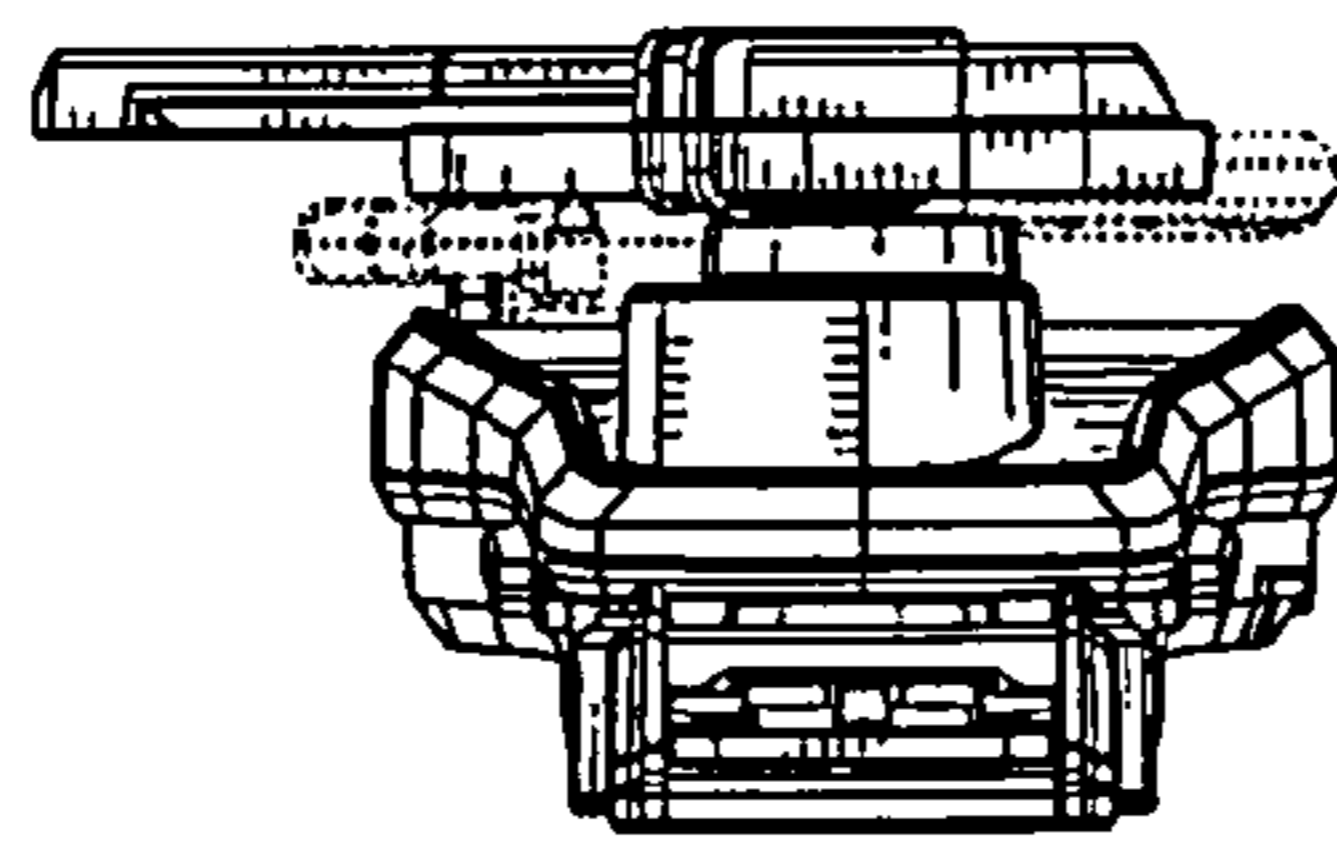


FIG. 7

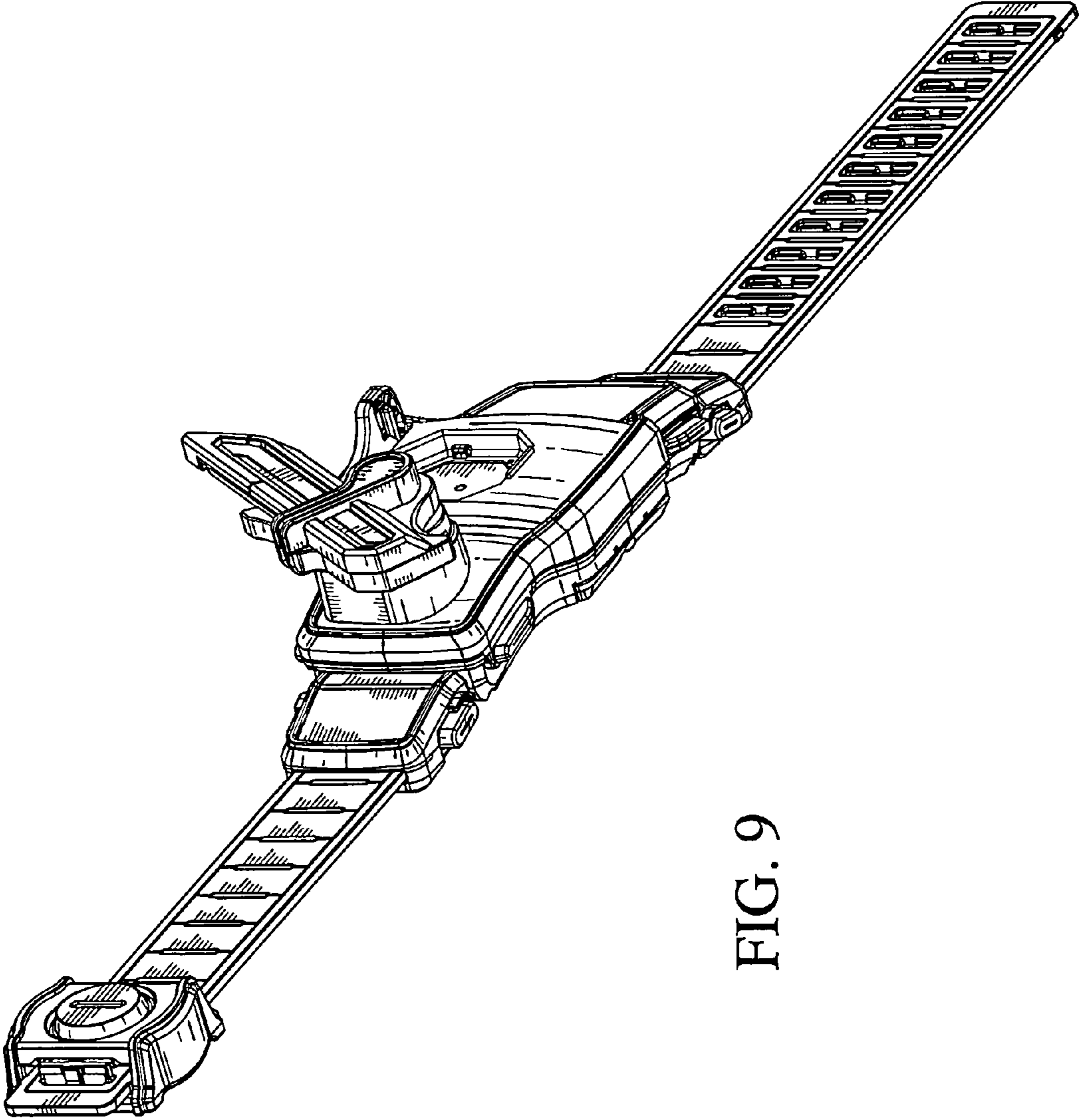


FIG. 9

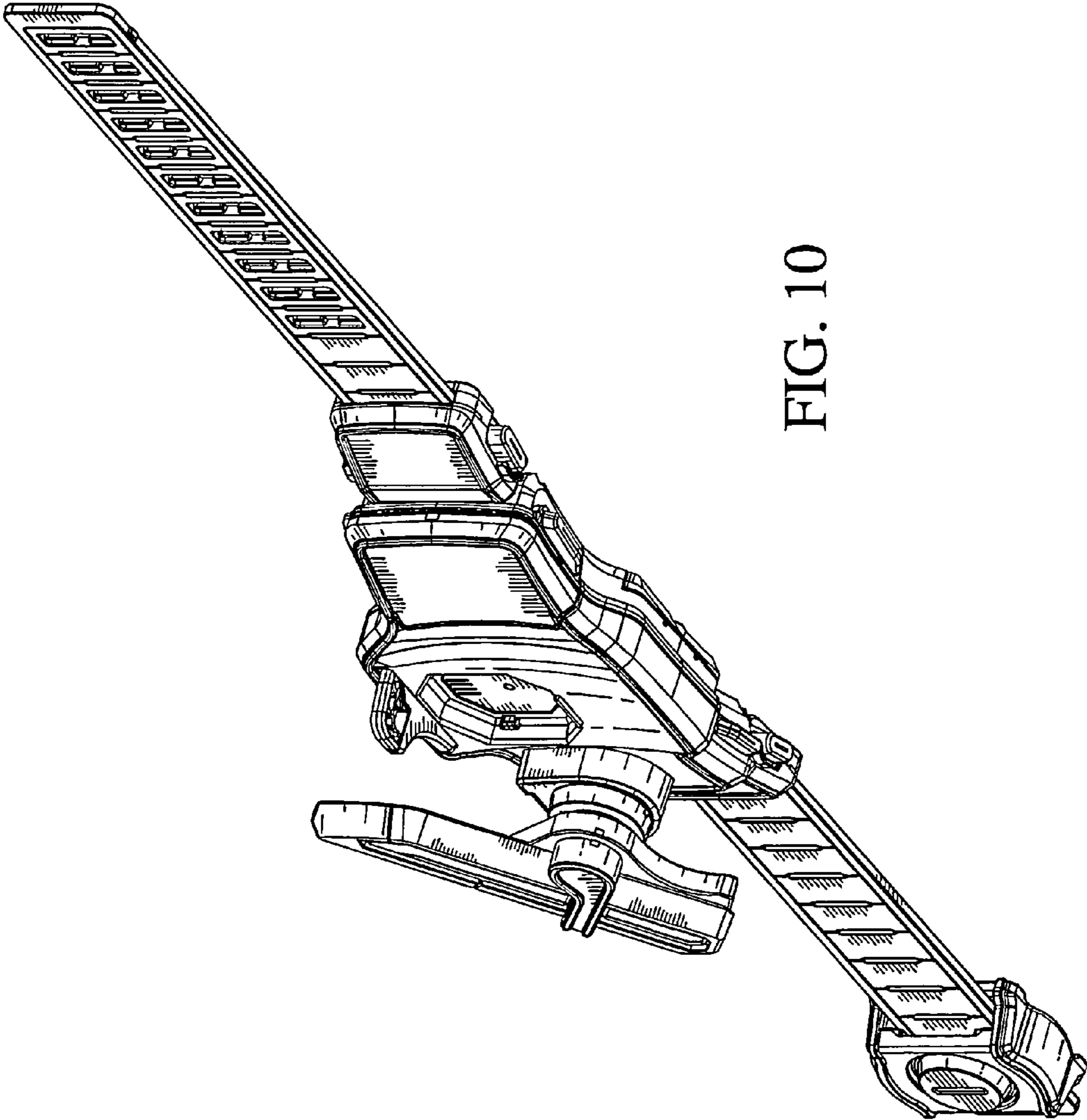


FIG. 10

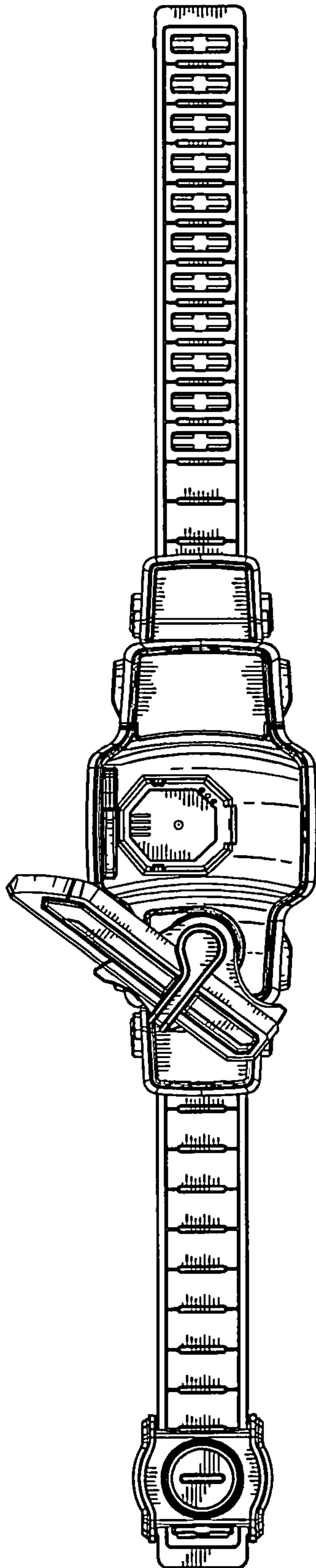


FIG. 11

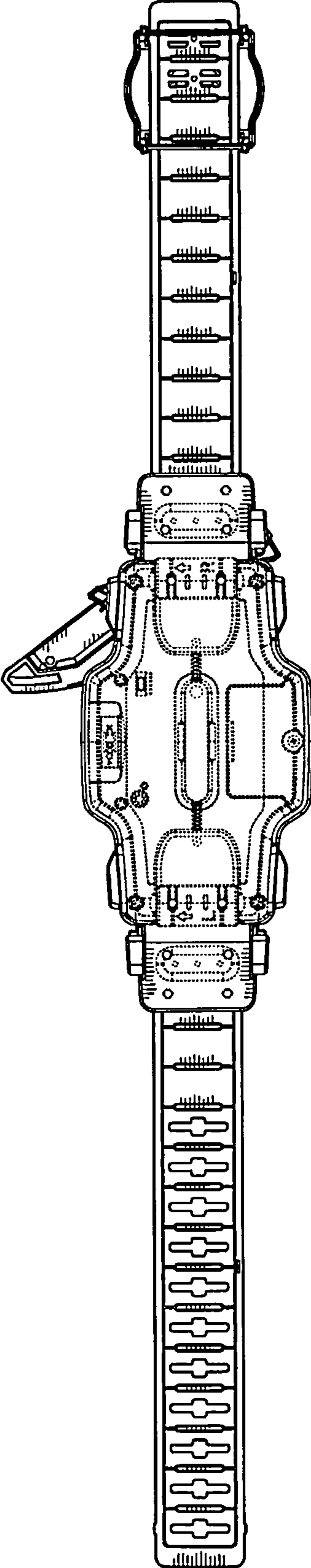


FIG. 12

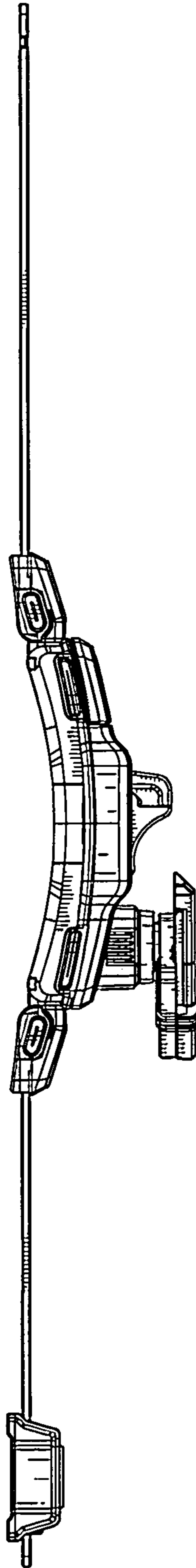


FIG. 13

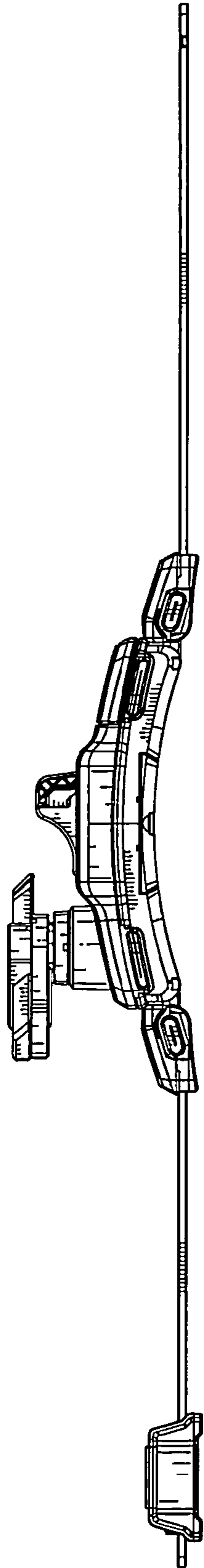


FIG. 14

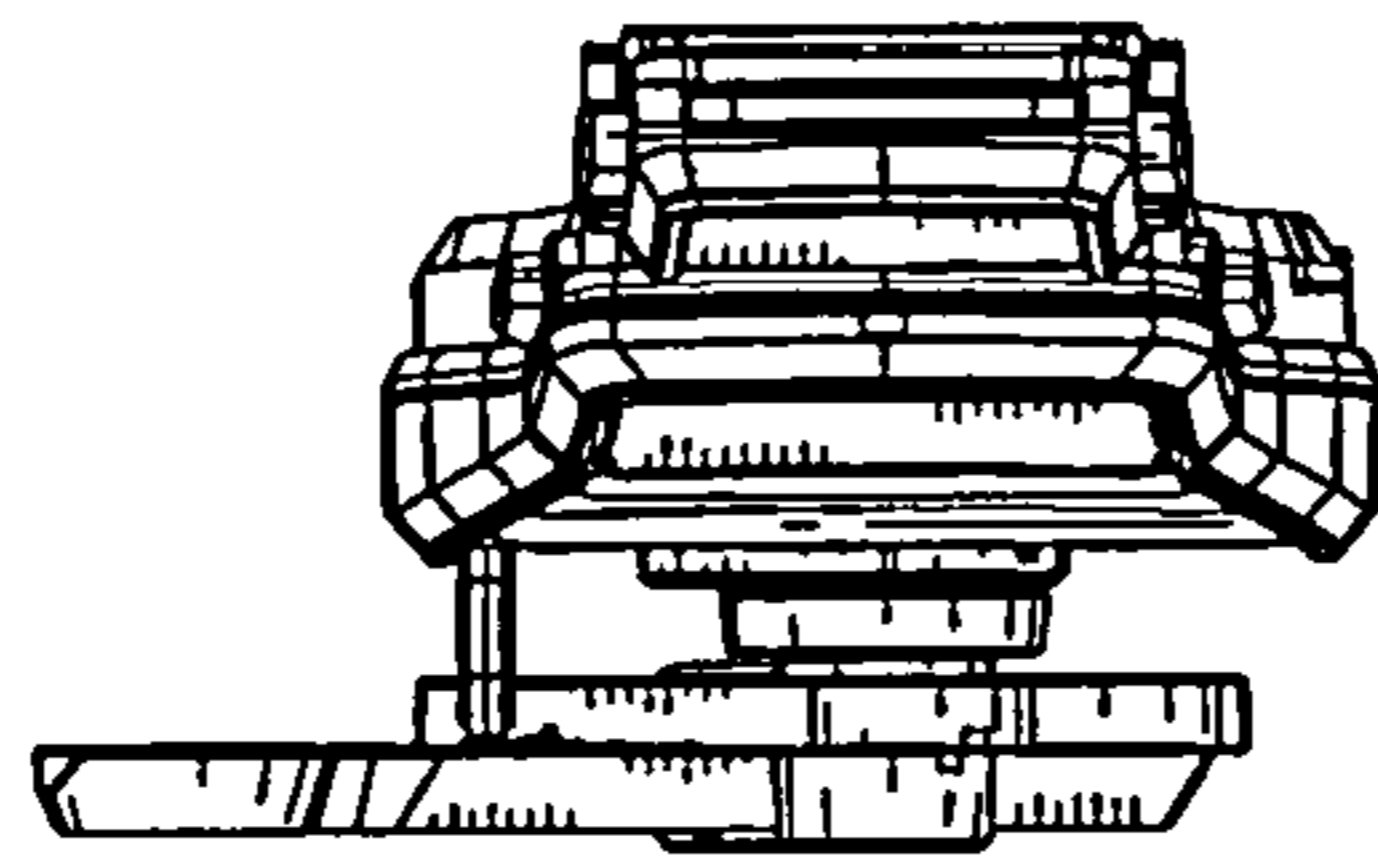


FIG. 16

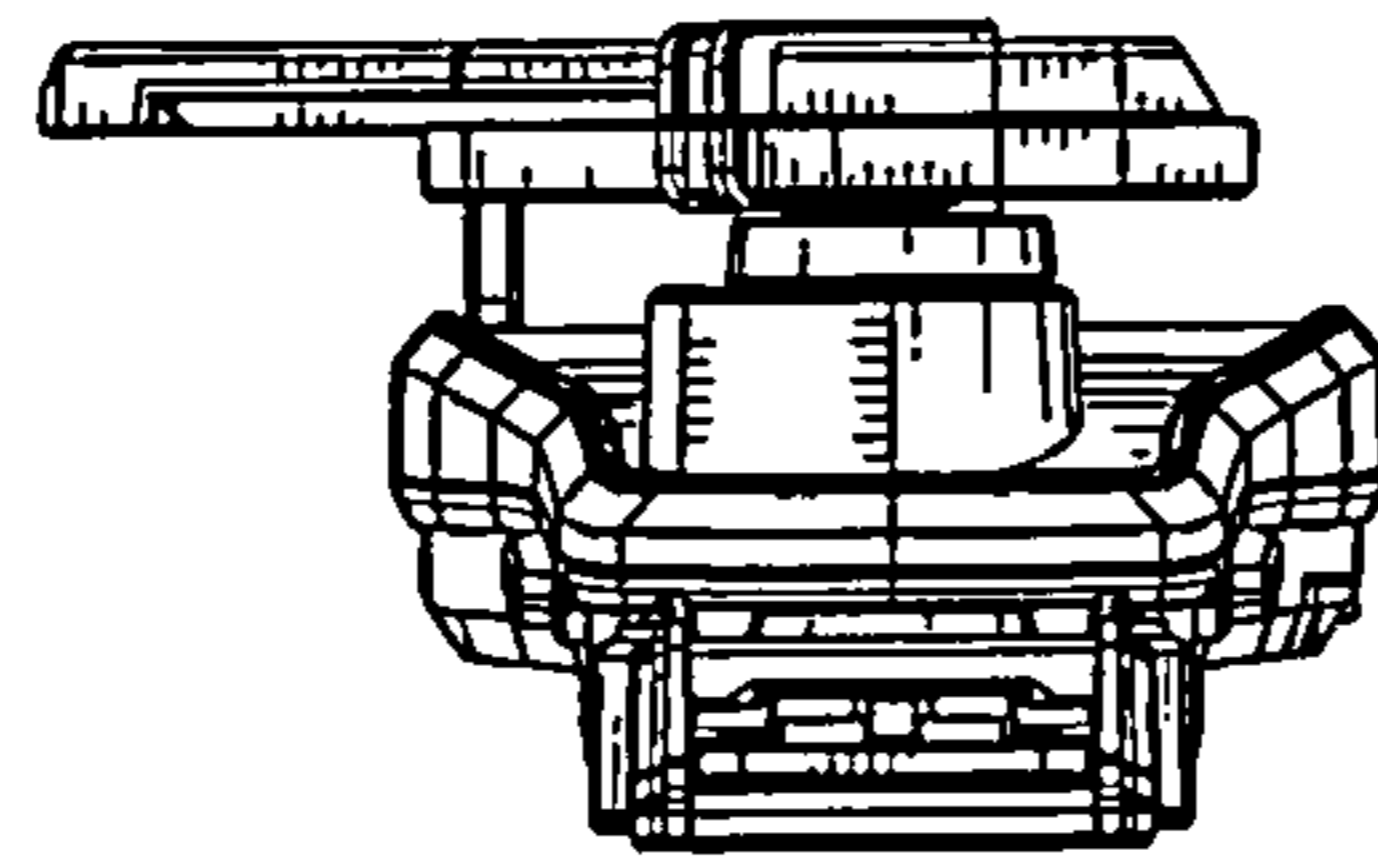


FIG. 15