



US00D721404S

(12) **United States Design Patent**
Pagliari, III et al.

(10) **Patent No.:** **US D721,404 S**
(45) **Date of Patent:** **** Jan. 20, 2015**

(54) **FOLDING TARGET GAME**
(71) Applicant: **Liftd Parties, LLC**, Scarsdale, NY (US)
(72) Inventors: **Michael Pagliaro, III**, Scarsdale, NY (US); **Michael Pagliaro, Jr.**, Scarsdale, NY (US); **Gene Giarratana**, Pleasantville, NY (US)

(73) Assignee: **Liftd Parties, LLC**, Scarsdale, NY (US)

(**) Term: **14 Years**

(21) Appl. No.: **29/478,703**

(22) Filed: **Jan. 7, 2014**

(51) **LOC (10) Cl.** **21-01**

(52) **U.S. Cl.**
USPC **D21/303**

(58) **Field of Classification Search**
USPC D21/300, 302, 303, 305, 334, 335;
273/348, 336, 398-402, 407
See application file for complete search history.

(56) **References Cited**

U.S. PATENT DOCUMENTS

2,998,673 A * 9/1961 Rhodes 446/168
3,305,236 A * 2/1967 Glass et al. 273/357

D258,366 S * 2/1981 Ward D21/303
5,275,419 A * 1/1994 Kazemi 273/402
5,704,612 A * 1/1998 Kelly et al. 273/402
D405,123 S * 2/1999 Dekeyser et al. D21/303
D600,286 S * 9/2009 Pruitt D21/303
D609,278 S * 2/2010 Schafer et al. D21/303
8,651,492 B1 * 2/2014 Cappuccio 273/348

* cited by examiner

Primary Examiner — Prabhakar Deshmukh

(74) *Attorney, Agent, or Firm* — John S. Economou

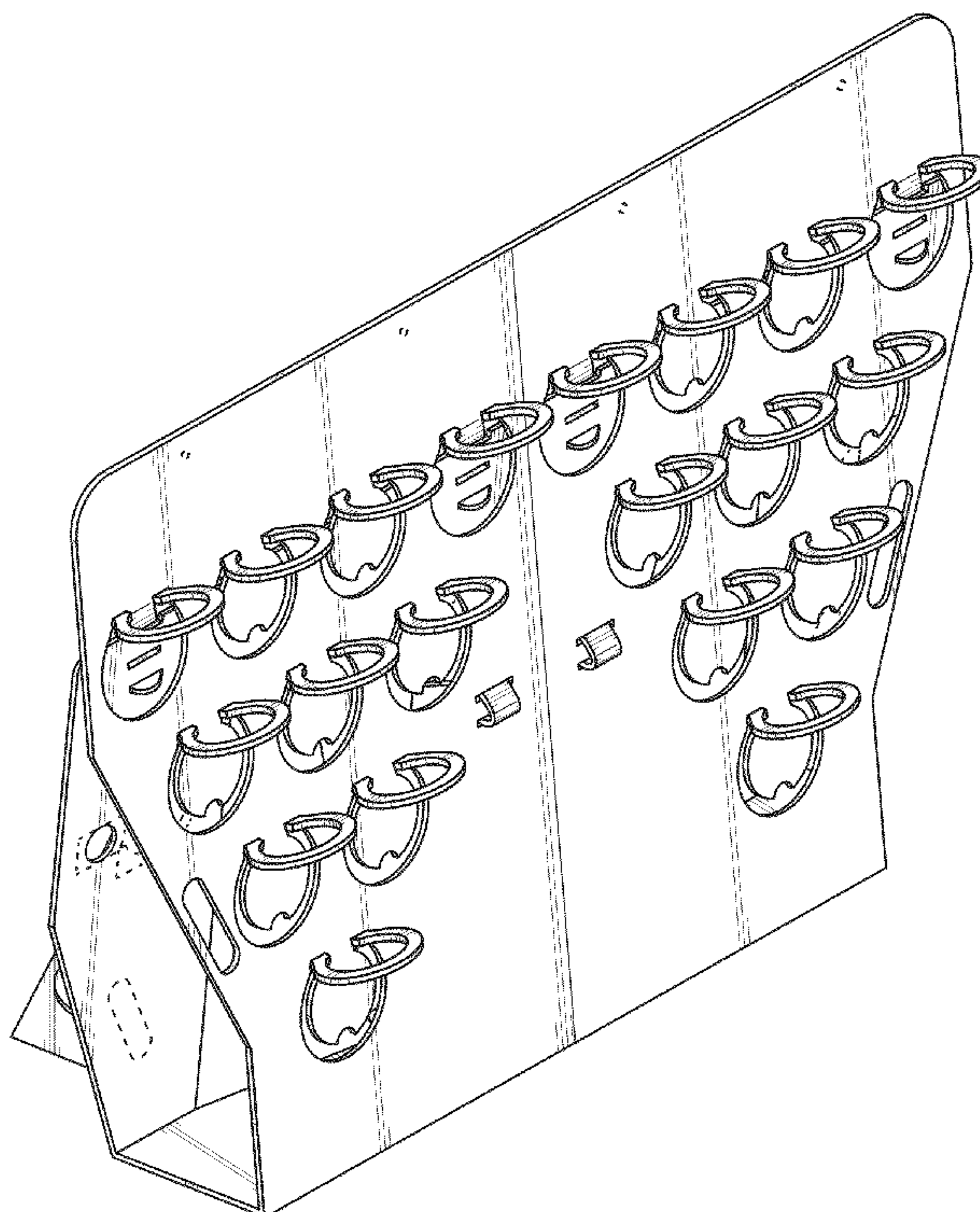
(57) **CLAIM**

The ornamental design for a folding target game, as shown and described.

DESCRIPTION

FIG. 1 is a front perspective view of a folding game target showing our new design;
FIG. 2 is a front view thereof;
FIG. 3 is a rear view thereof;
FIG. 4 is a left side view thereof;
FIG. 5 is a top view thereof;
FIG. 6 is a bottom view thereof; and,
FIG. 7 is a front perspective view of the folding target game showing targets placed within the target holders.
All features illustrated as phantom lines are expressly disclaimed and form no part of the claimed design.

1 Claim, 6 Drawing Sheets



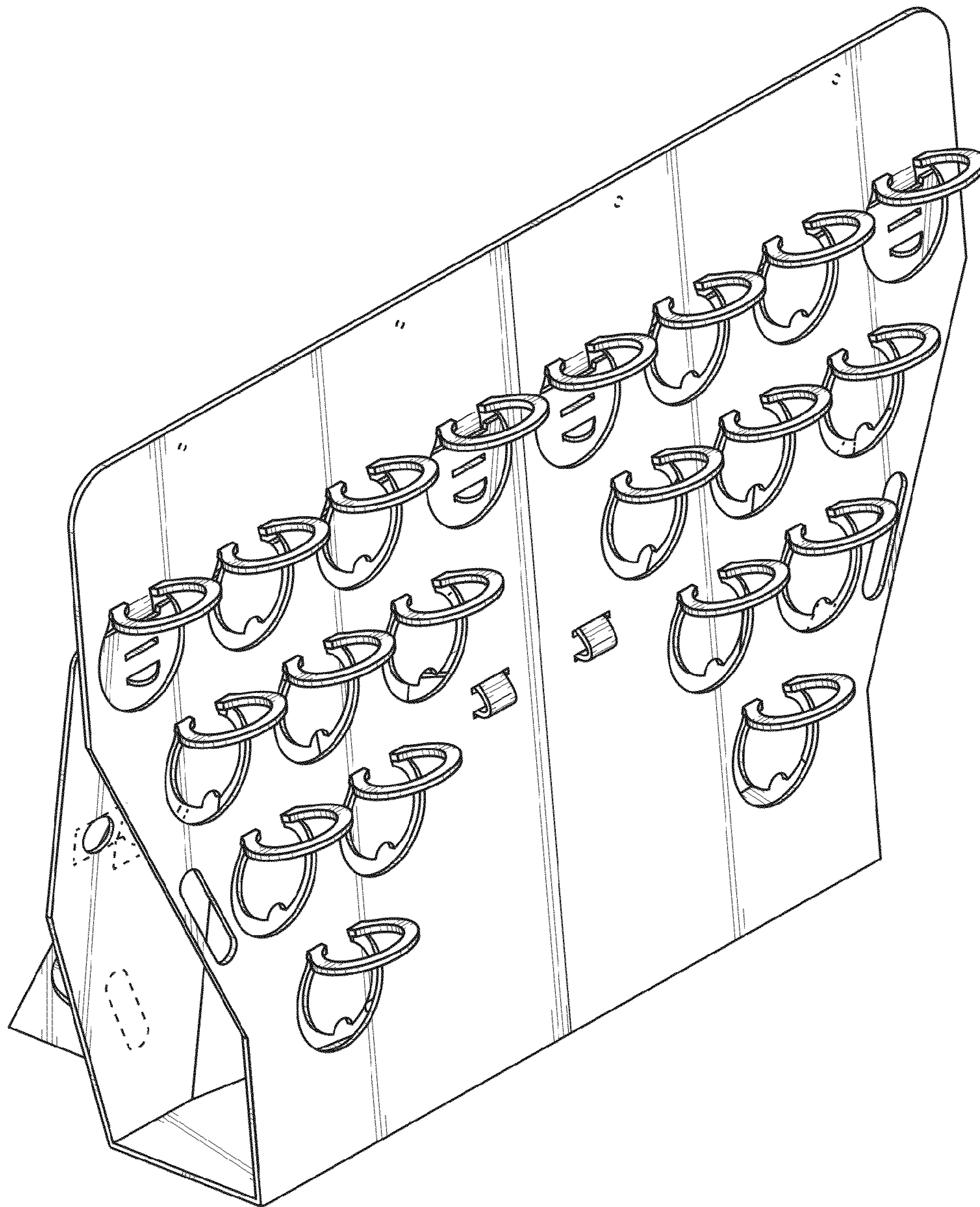


FIG. 1

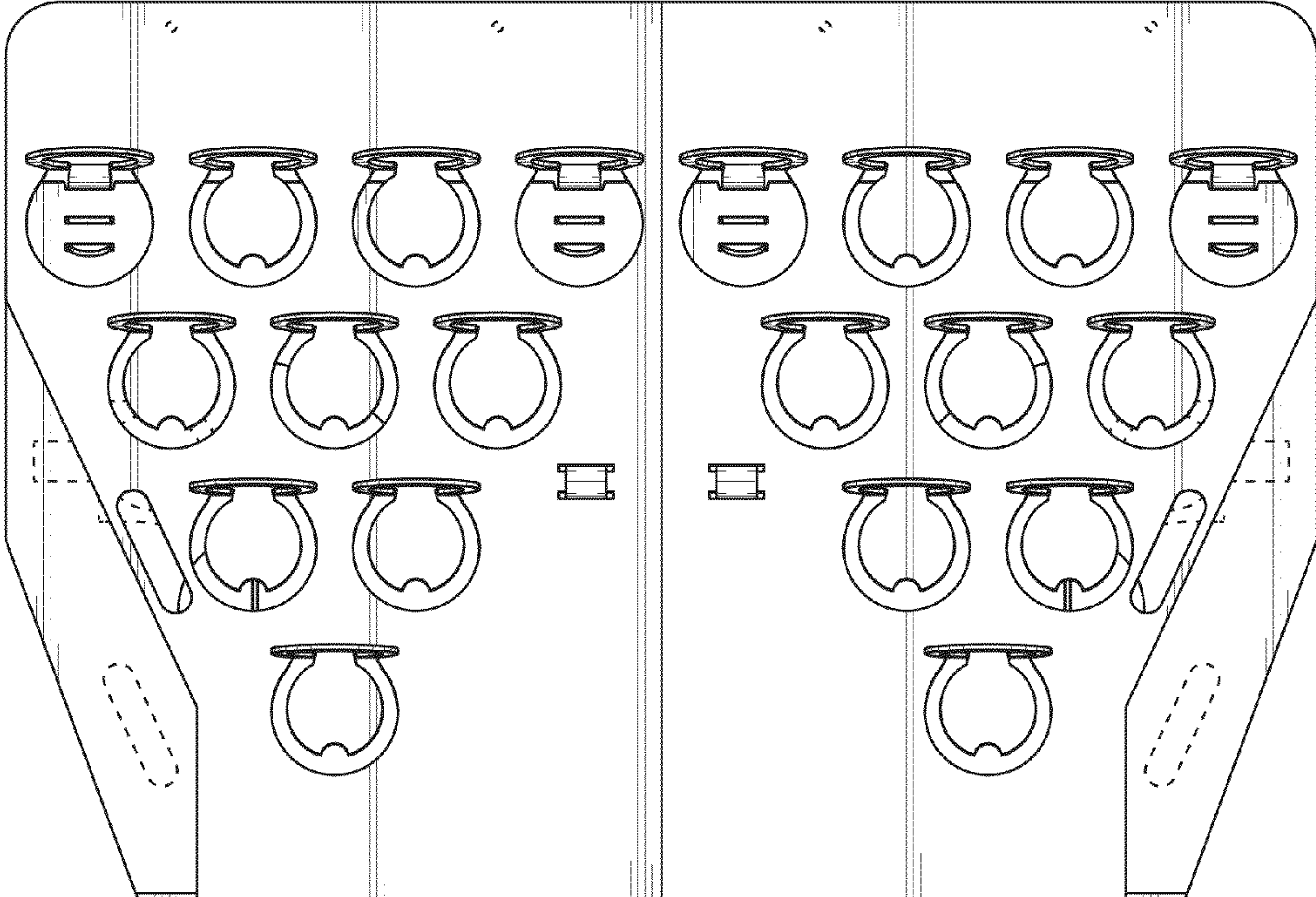


FIG. 2

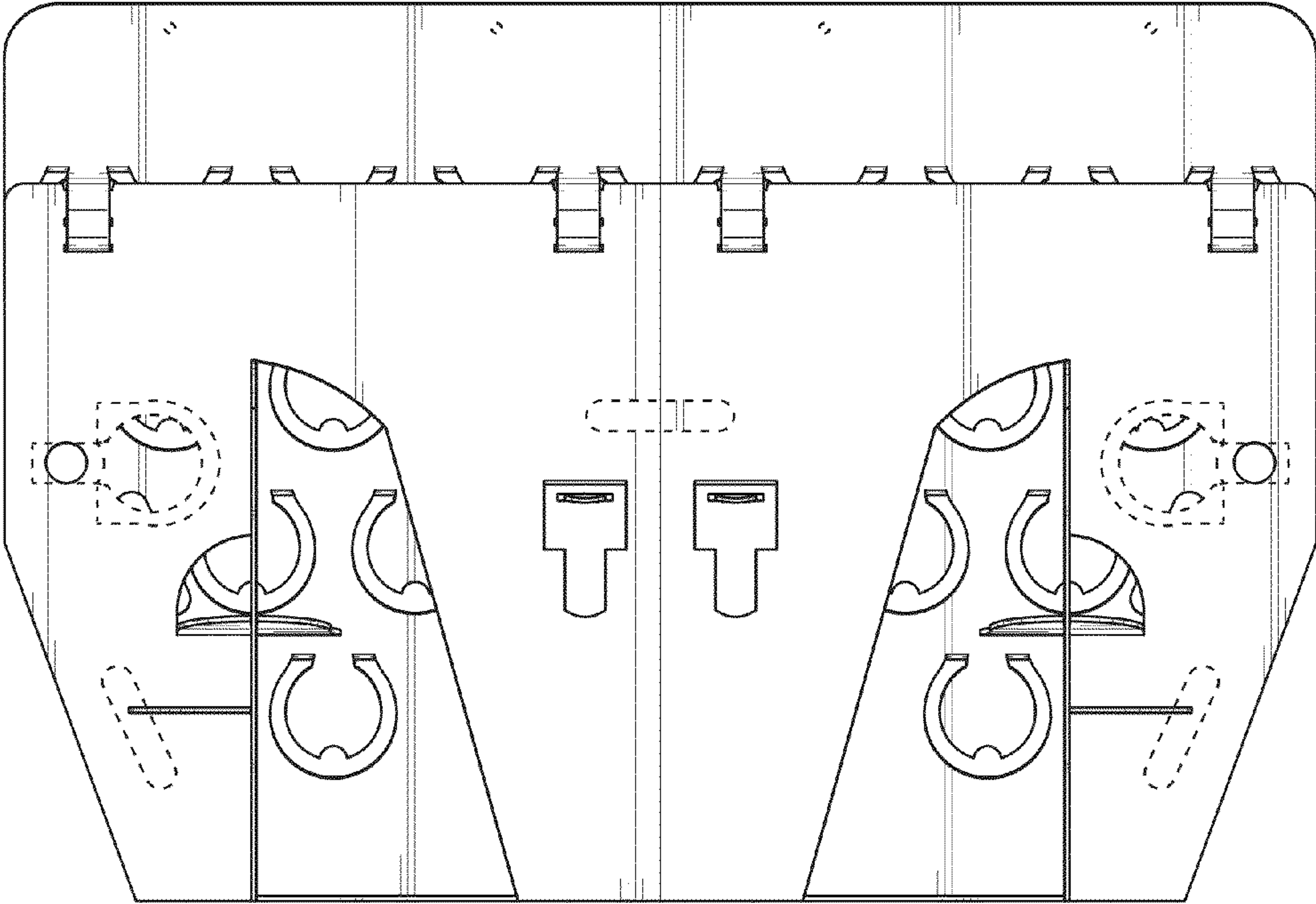


FIG. 3

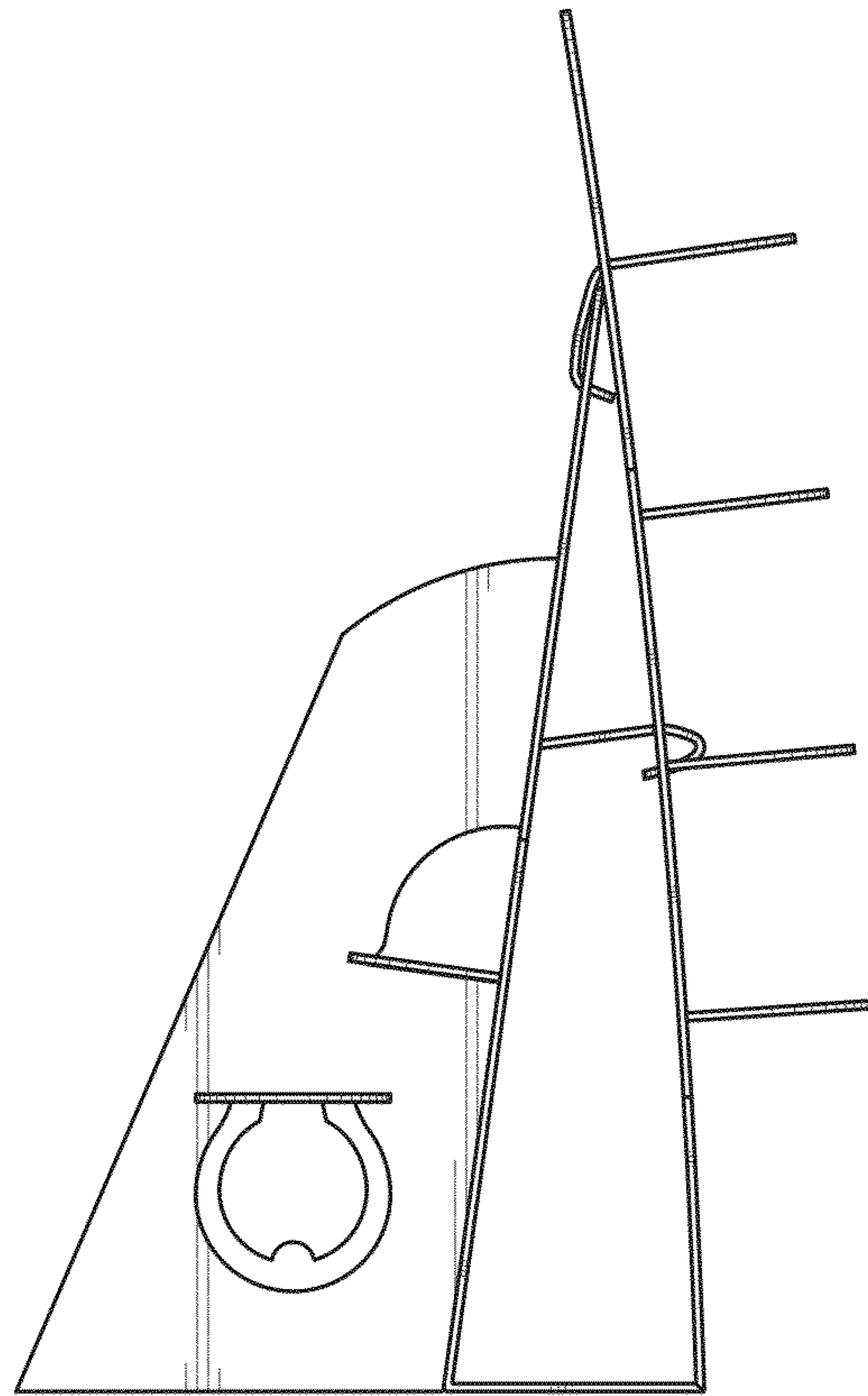


FIG. 4

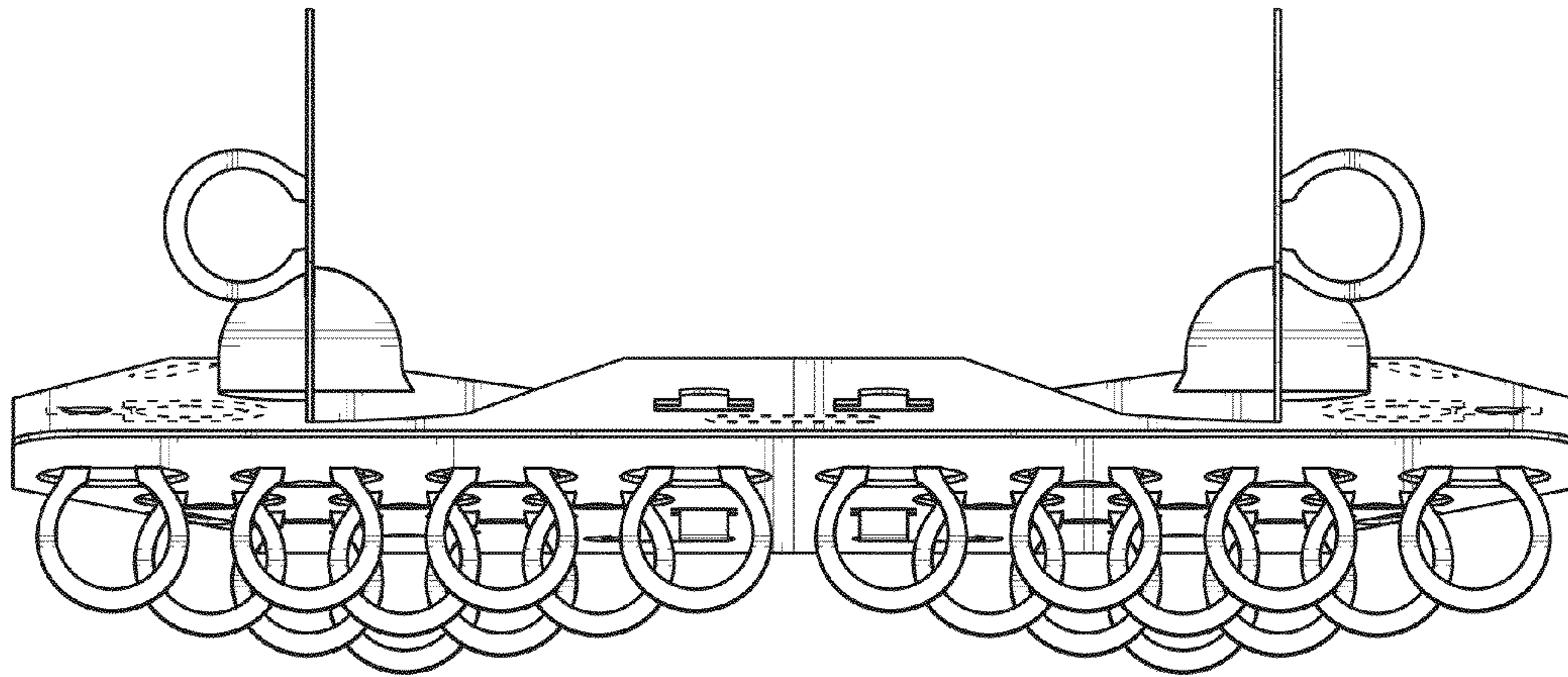


FIG. 5

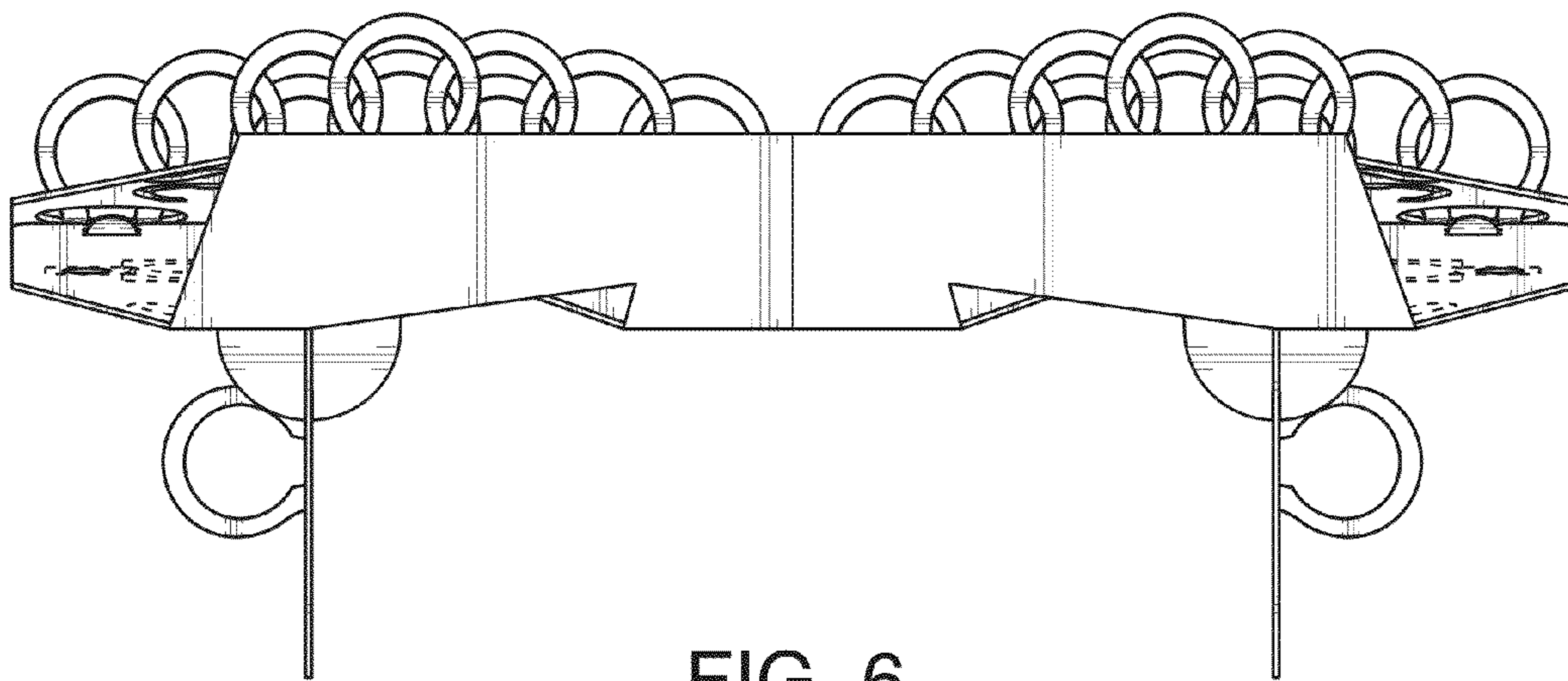


FIG. 6

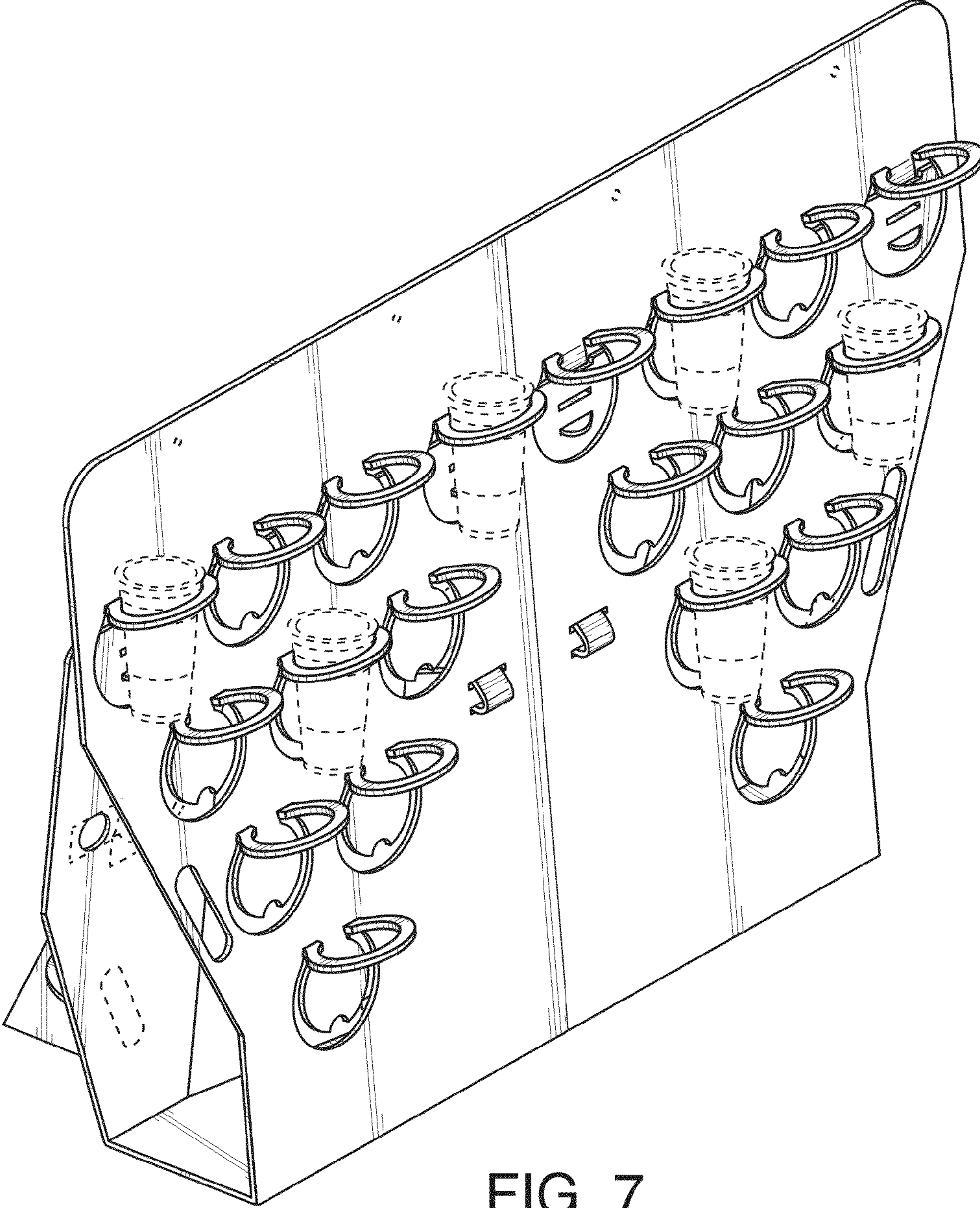


FIG. 7