



US00D721402S

(12) **United States Design Patent**  
**Harvey Pennaz et al.**

(10) **Patent No.:** **US D721,402 S**  
(45) **Date of Patent:** **\*\* Jan. 20, 2015**

(54) **TAG**

(71) Applicant: **3M Innovative Properties Company**,  
St. Paul, MN (US)

(72) Inventors: **Jane E. Harvey Pennaz**, Roseville, MN  
(US); **Emily K. Vanderheyden**, St. Paul,  
MN (US)

(73) Assignee: **3M Innovative Properties Company**,  
St. Paul, MN (US)

(\*\*) Term: **14 Years**

(21) Appl. No.: **29/457,151**

(22) Filed: **Jun. 7, 2013**

(51) **LOC (10) Cl.** ..... **19-08**

(52) **U.S. Cl.**  
USPC ..... **D20/22**

(58) **Field of Classification Search**

CPC ..... G09F 3/00; G09F 3/02; G09F 3/04;  
G09F 3/05; G09F 3/06; G09F 3/08; G09F  
3/10; G09F 3/14; G09F 3/18; G09F 3/0288;  
G09F 3/0289; G09F 1/08; A41D 23/00;  
A44B 6/00; A63C 11/02; B42F 13/006;  
B42D 3/0002; B42D 3/12; B42D 75/56;  
B42D 57/00  
USPC ..... D20/10, 19, 22-28, 40, 42-44, 99;  
40/5, 27.5, 124.01-124.09,  
40/124.11-124.191, 299.01, 306, 310,  
40/316, 360, 446, 625-629, 631, 641,  
40/642.02, 661, 661.01, 673; D9/439;  
D10/109.1, 109.2, 113.4; D11/5;  
D19/1, 2; D24/189; 2/144; 283/43, 56,  
283/71, 81, 109; 280/814; 281/15.1; 426/2

See application file for complete search history.

(56) **References Cited**

U.S. PATENT DOCUMENTS

711,240	A *	10/1902	Zaring	40/306
1,782,194	A *	11/1930	Carter	24/17 R
2,000,763	A *	5/1935	Lane	24/17 R
2,021,787	A *	11/1935	Janowitz	16/407
3,841,648	A *	10/1974	Meyer	280/814
4,679,823	A *	7/1987	Nagy	281/43
5,197,761	A *	3/1993	Shirdavani	281/15.1
5,797,144	A *	8/1998	Ciccione	2/144
D528,605	S *	9/2006	Lee	D20/10
D547,228	S *	7/2007	Rozsavolgyi	D11/5
D548,129	S *	8/2007	Fineide	D11/5
2003/0075918	A1 *	4/2003	Levine et al.	283/81
2013/0266685	A1 *	10/2013	Santiago	426/2

\* cited by examiner

*Primary Examiner* — Mary Ann Calabrese

(74) *Attorney, Agent, or Firm* — Irina Hass

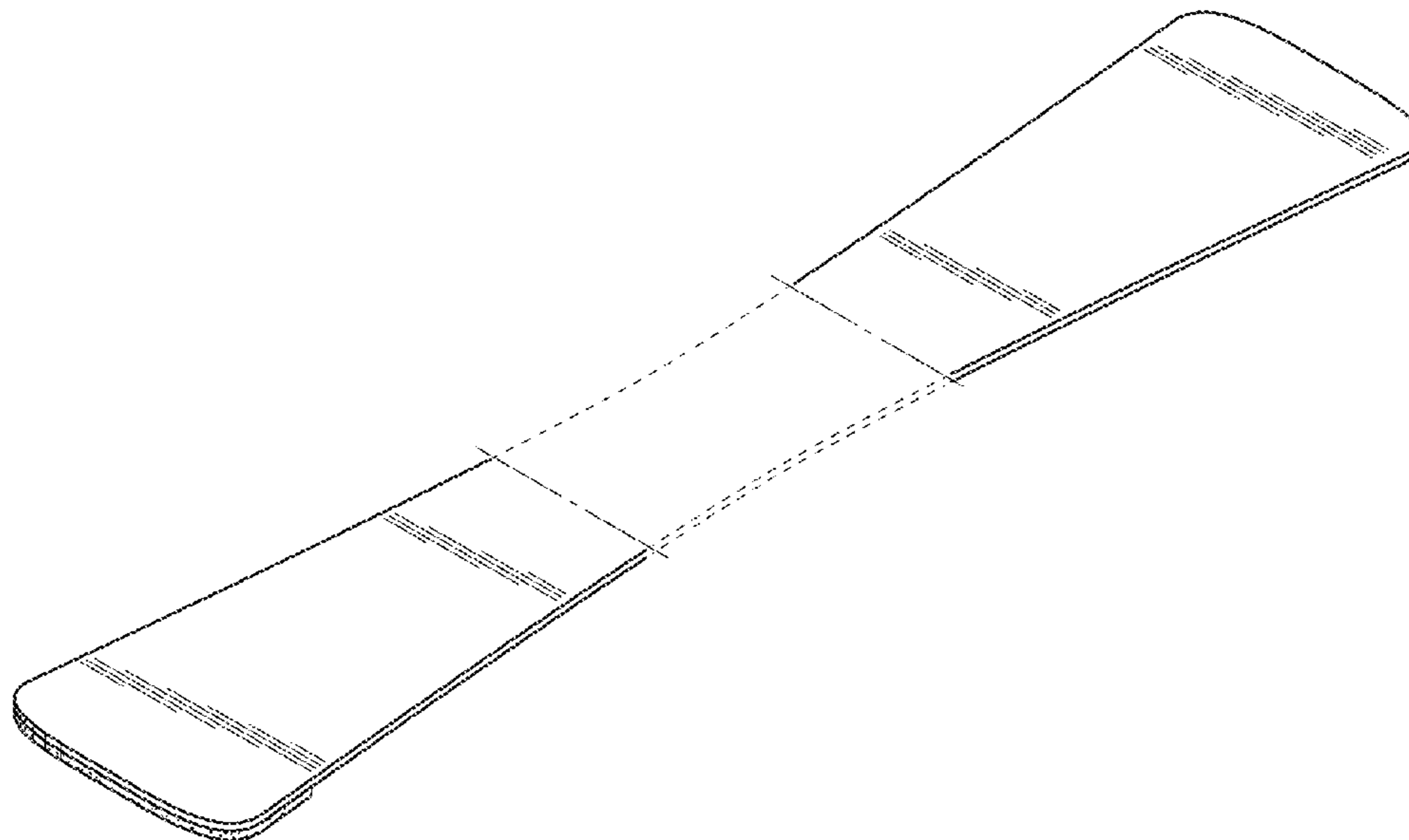
(57) **CLAIM**

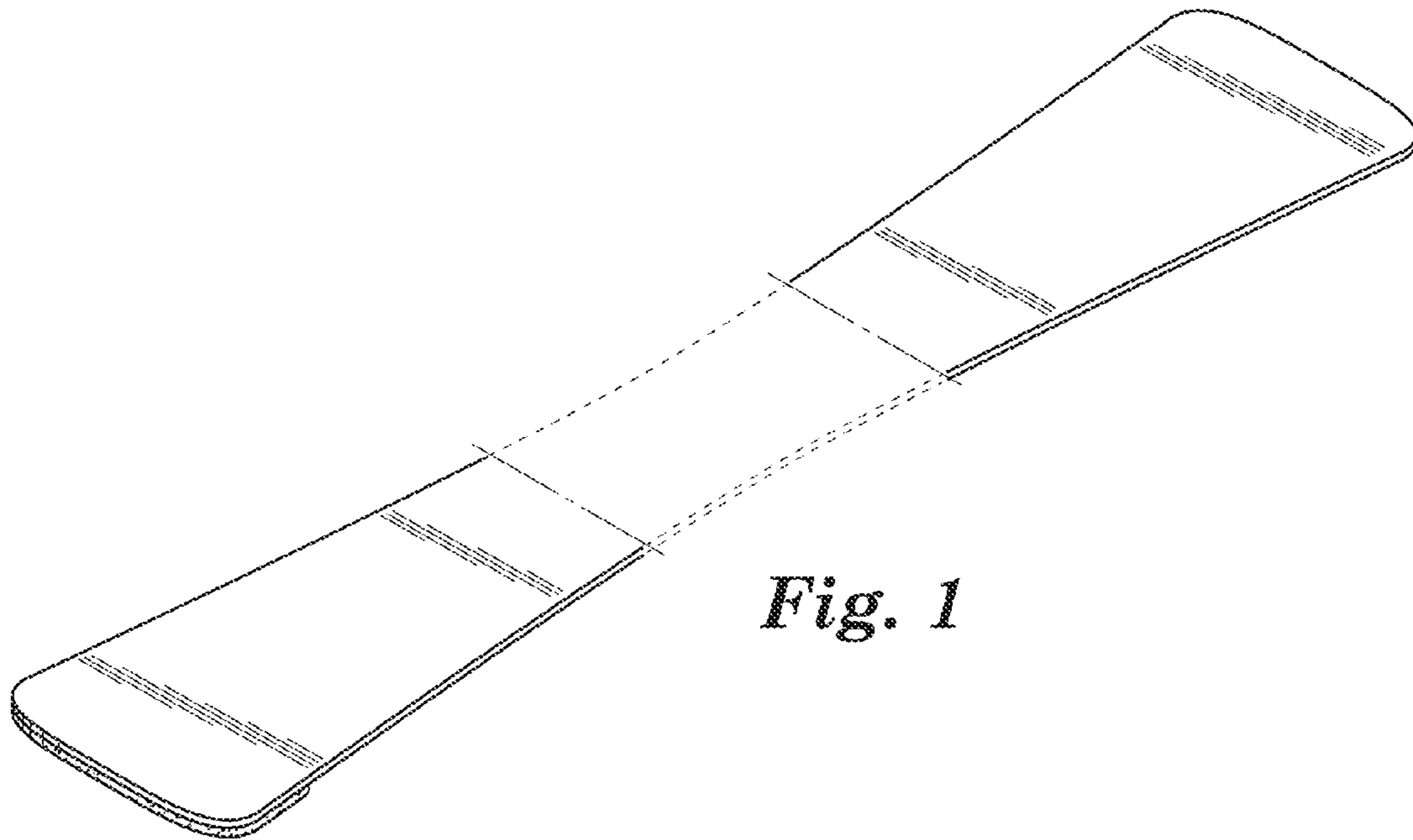
The ornamental design for a tag, as shown and described.

**DESCRIPTION**

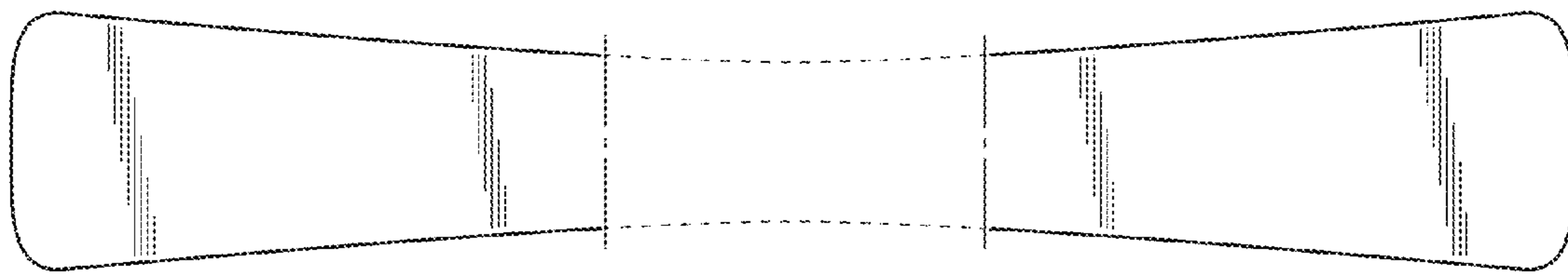
FIG. 1 is a perspective view showing the new design for a tag;  
FIG. 2 is a top view thereof;  
FIG. 3 is a front view thereof;  
FIG. 4 is a bottom view thereof;  
FIG. 5 is a right side view thereof, a left side view being a  
mirror image thereof;  
FIG. 6 is a perspective view showing the tag in a folded  
position;  
FIG. 7 is a perspective view showing the tag on a bag; and,  
FIG. 8 is a perspective view of the tag shown in an alternate  
environment as a pad of tags.  
The broken lines in the drawings are shown for illustrative  
purposes only and form no part of the claimed design. In  
addition, the tag in the drawings is shown broken away to  
indicate no specific length.

**1 Claim, 2 Drawing Sheets**





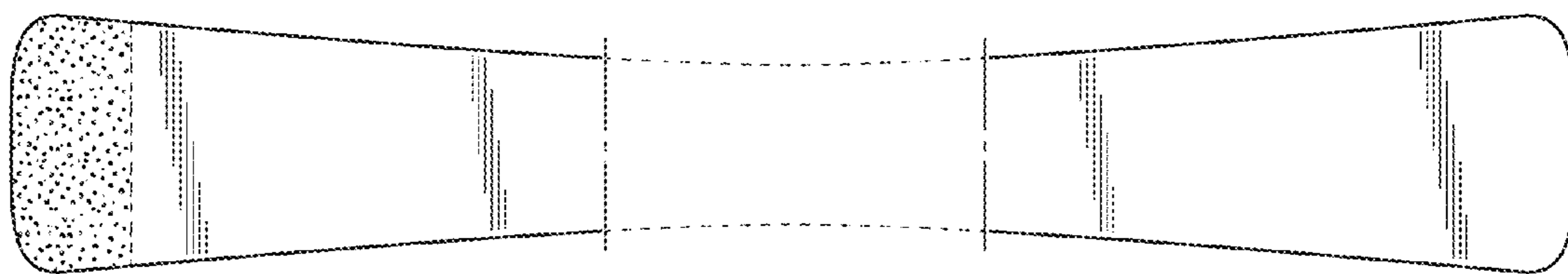
*Fig. 1*



*Fig. 2*



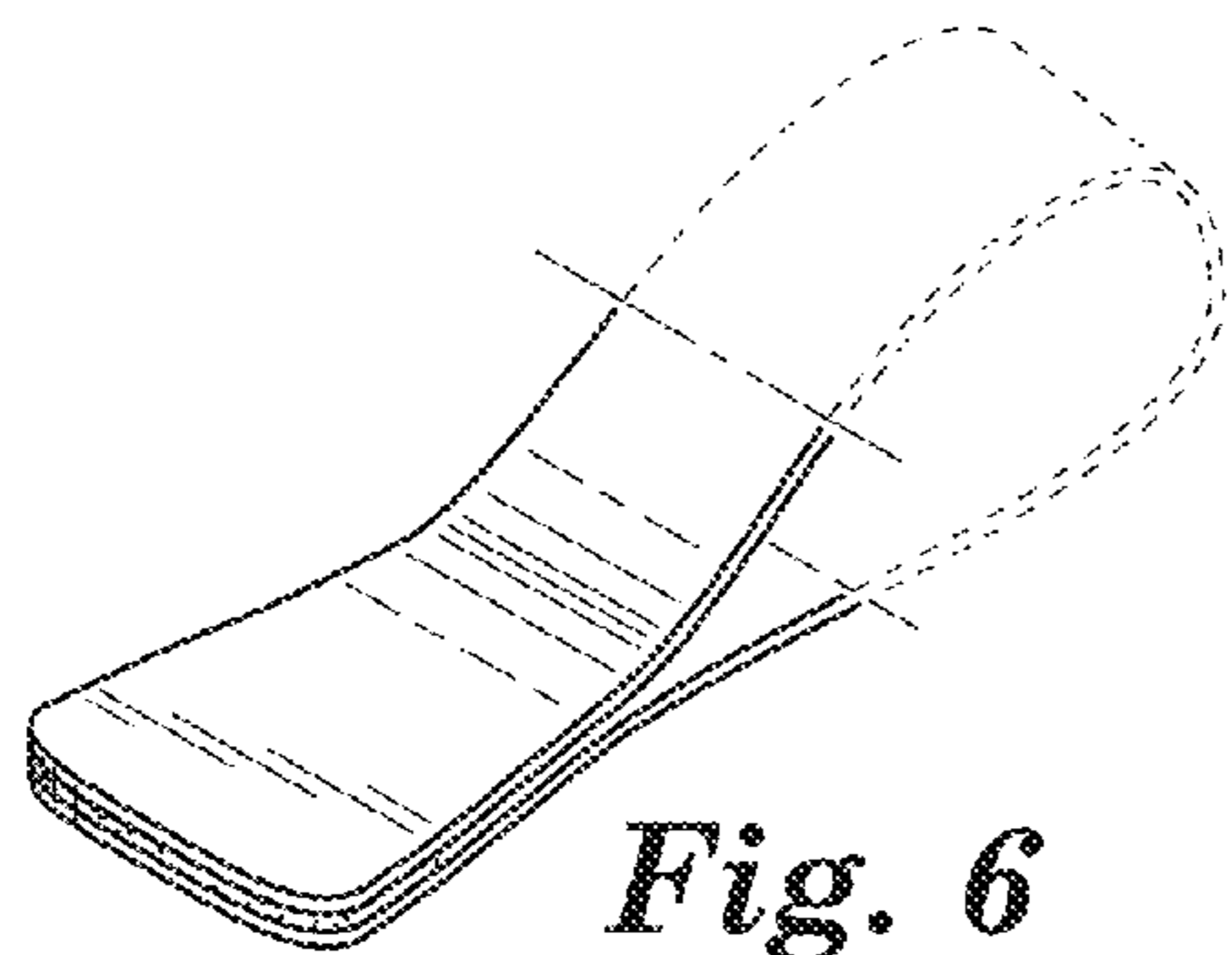
*Fig. 3*



*Fig. 4*



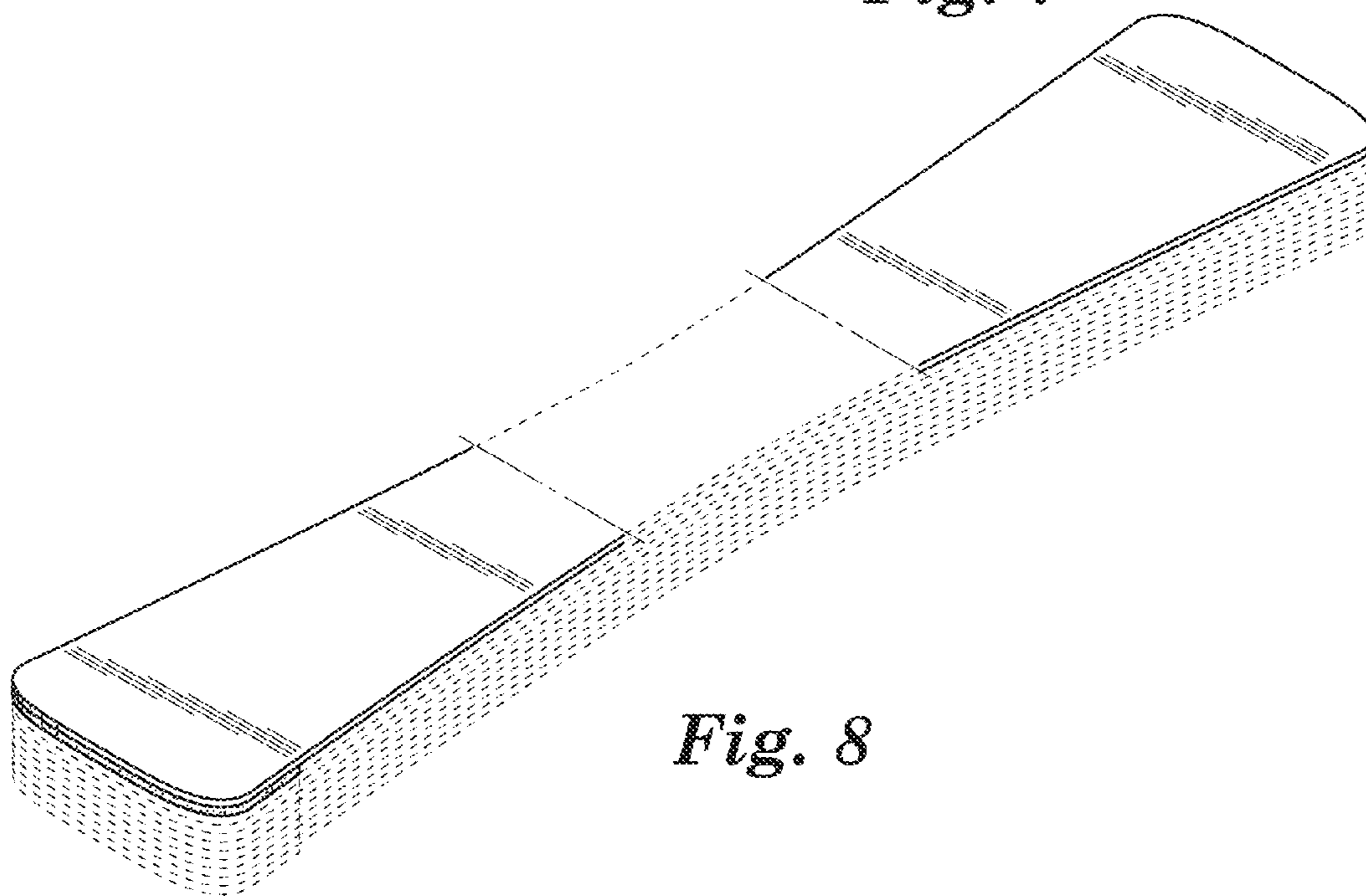
*Fig. 5*



*Fig. 6*



*Fig. 7*



*Fig. 8*