



US00D721397S

(12) **United States Design Patent**
Feldman

(10) **Patent No.:** **US D721,397 S**

(45) **Date of Patent:** **** Jan. 20, 2015**

(54) **HINGE CONNECTOR FOR EYEGLASSES**

(56) **References Cited**

(71) Applicant: **Alexander Neal Feldman**, San Diego,
CA (US)

U.S. PATENT DOCUMENTS

(72) Inventor: **Alexander Neal Feldman**, San Diego,
CA (US)

D85,558 S *	11/1931	Tonasso et al.	D16/330
D107,106 S *	11/1937	Taylor	D16/334
D119,893 S *	4/1940	Rohrbach	D16/334
D432,558 S *	10/2000	Park	D16/334
D459,747 S *	7/2002	Marc et al.	D16/334
D459,748 S *	7/2002	Marc et al.	D16/334
D595,334 S *	6/2009	Gonzalez	D16/329
D655,744 S *	3/2012	Gonzalez	D16/341
D701,895 S *	4/2014	Magal	D16/320

(**) Term: **14 Years**

(21) Appl. No.: **29/439,034**

* cited by examiner

(22) Filed: **Dec. 5, 2012**

(51) **LOC (10) Cl.** **16-06**

Primary Examiner — Robert M Spear

(52) **U.S. Cl.**
USPC **D16/334**

Assistant Examiner — Eliza Bennett-Hattan

(74) *Attorney, Agent, or Firm* — Amichai Kotev

(58) **Field of Classification Search**
CPC A63B 33/002; A61M 16/0683; B63C
2011/128; G02C 3/003; G02C 2200/08;
A41D 13/1161; A44B 11/006
USPC D16/320, 333, 332, 325, 326, 328, 321,
D16/318, 310, 309, 306, 300, 335, 334, 136,
D16/330, 336, 338, 340, 341, 339, 327, 323,
D16/303, 329, 301, 337, 342, 316, 304;
24/58; D11/82, 49, 57, 58, 239, 224,
D11/208, 133, 95, 33; 2/12, 442, 445, 447,
2/448; 351/124, 69, 41, 137, 138, 139,
351/131, 132, 136, 65, 76, 78, 79, 87, 88;
D3/219; D20/22, 40; D5/63, 56;
D8/19, 16, 366; 383/210; D22/108,
D22/199

(57) **CLAIM**

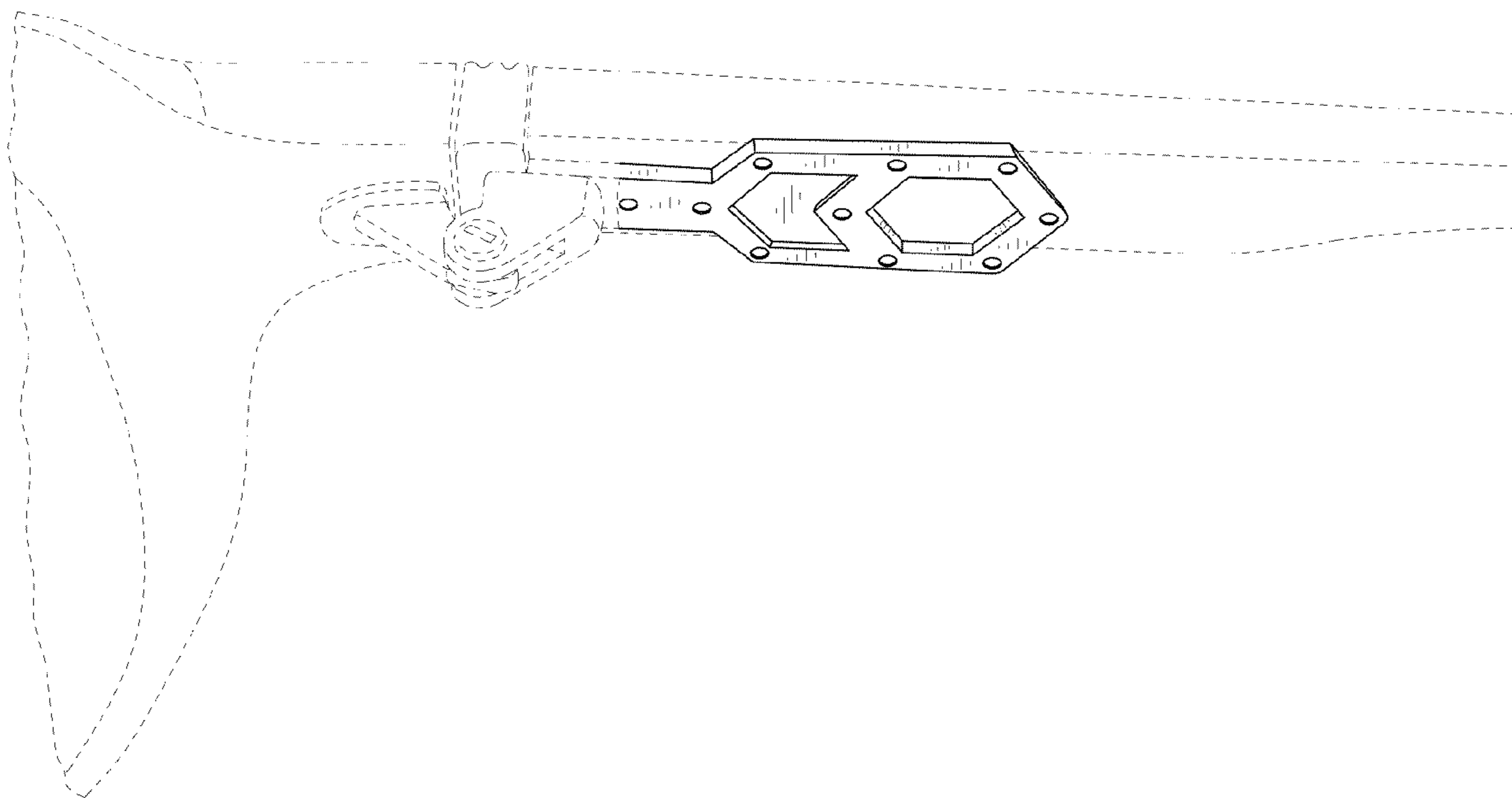
The ornamental design for a hinge connector for eyeglasses,
as shown and described.

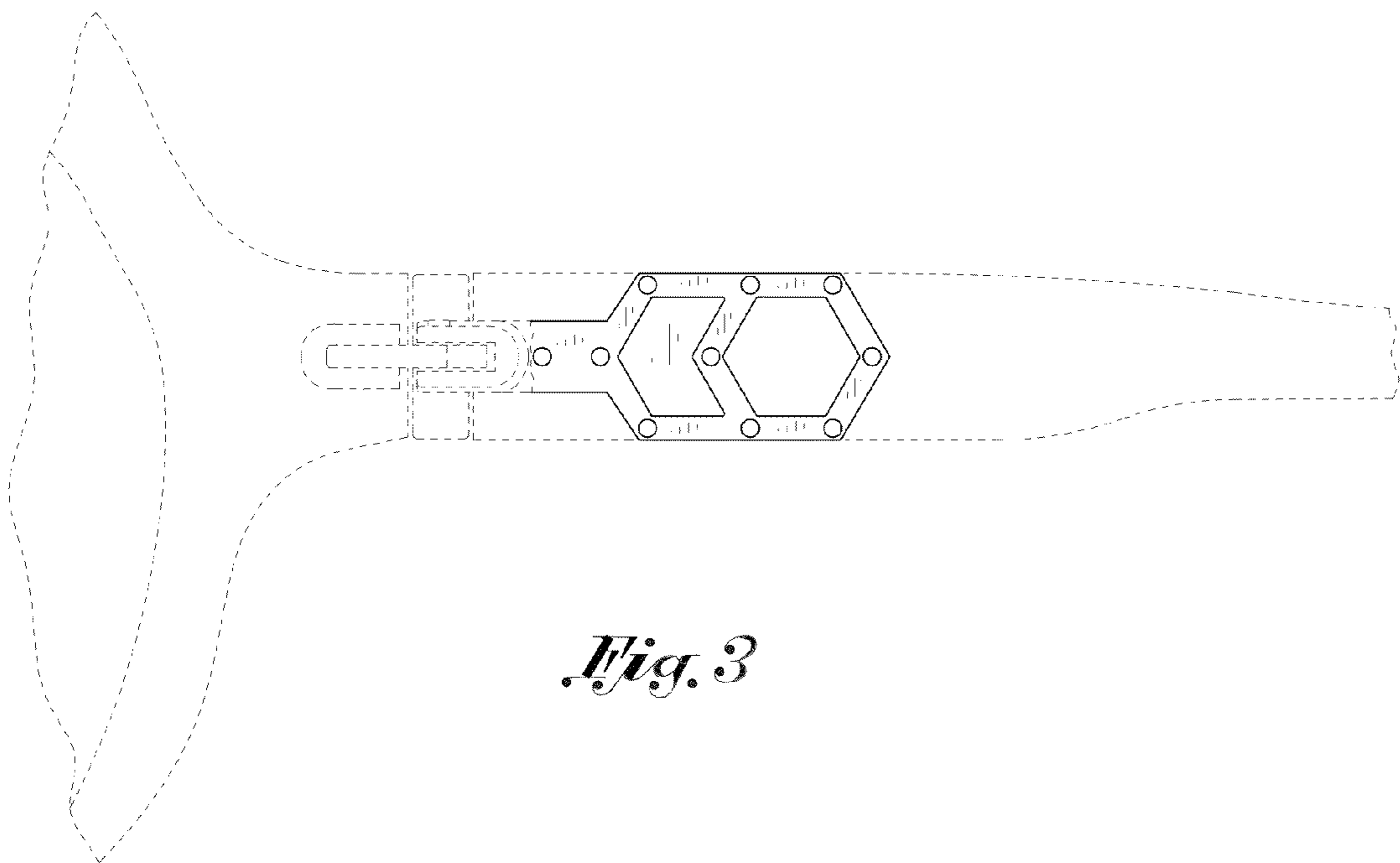
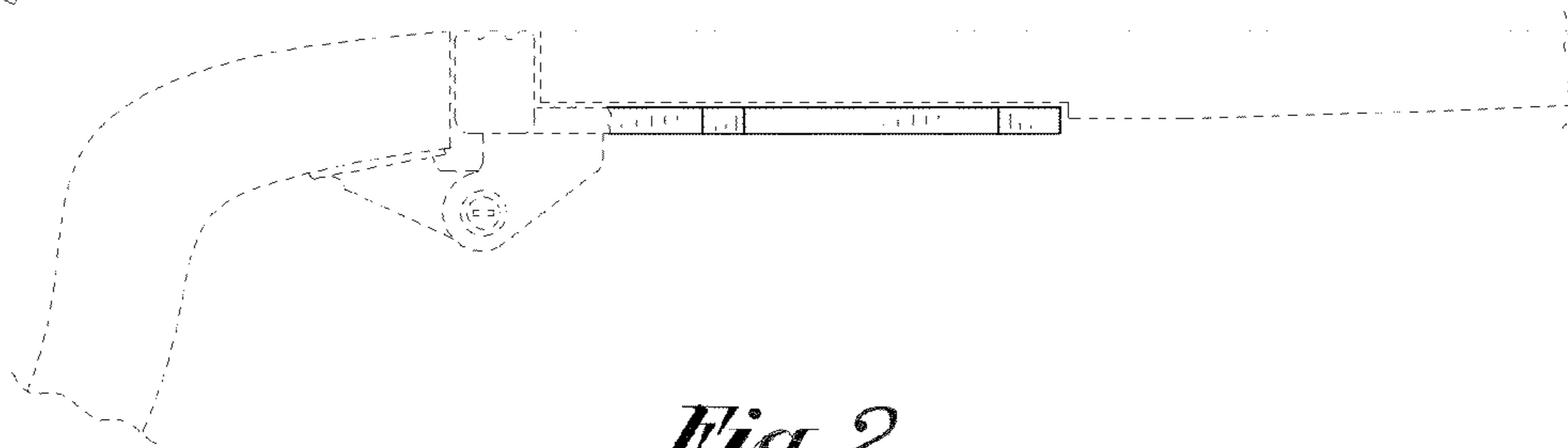
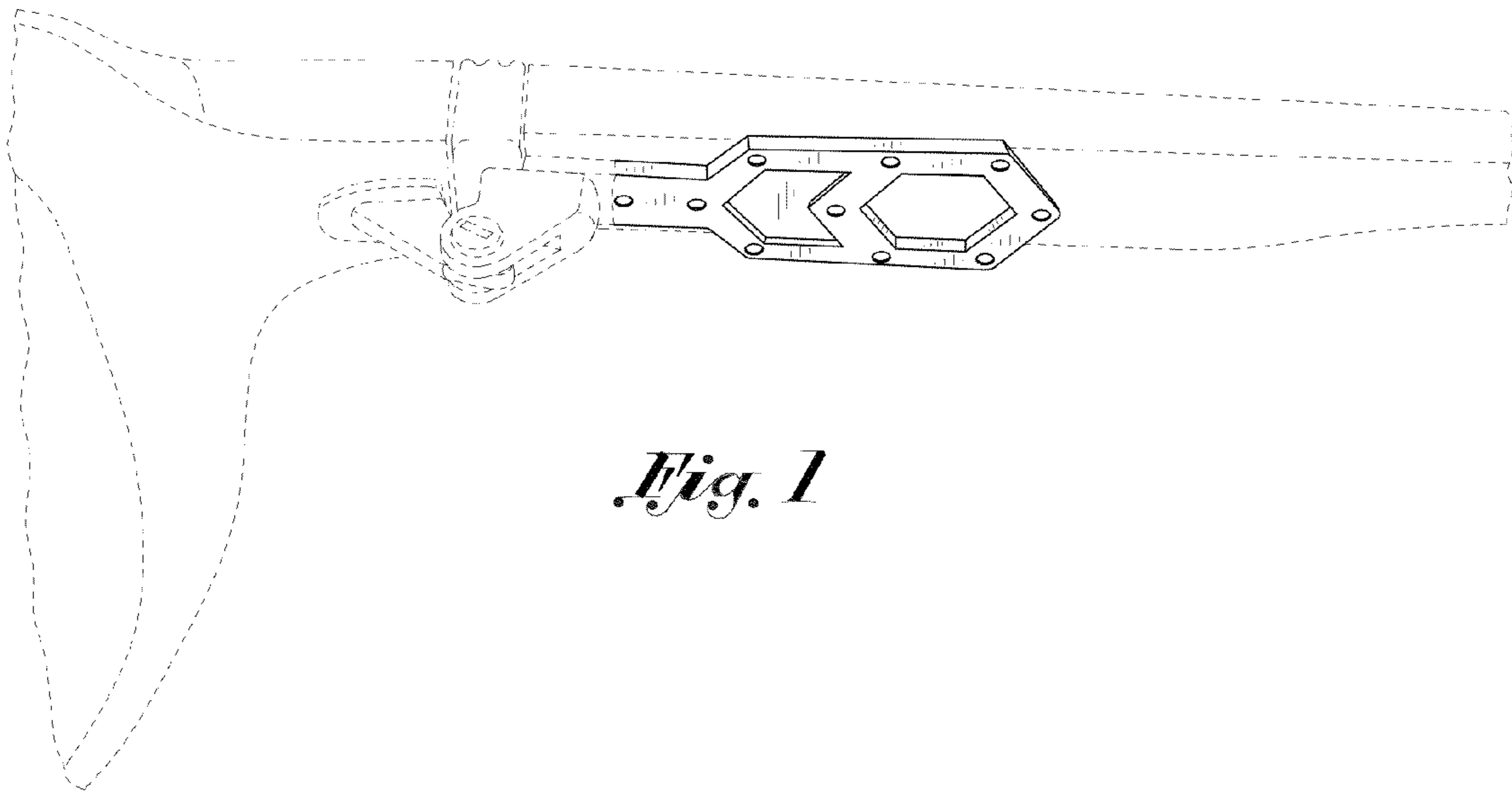
DESCRIPTION

FIG. 1 is a perspective view of the design with a portion
shown in dotted lines for illustrative purposes only;
FIG. 2 is a top plan view thereof;
FIG. 3 is a front view thereof; and
FIG. 4 is a bottom plan view thereof;
FIG. 5 is a rear view thereof;
FIG. 6 is a right side view thereof; and,
FIG. 7 is a left side view thereof.
The broken lines in the drawing depict environmental subject
matter only and form no part of the claimed design.

See application file for complete search history.

1 Claim, 2 Drawing Sheets





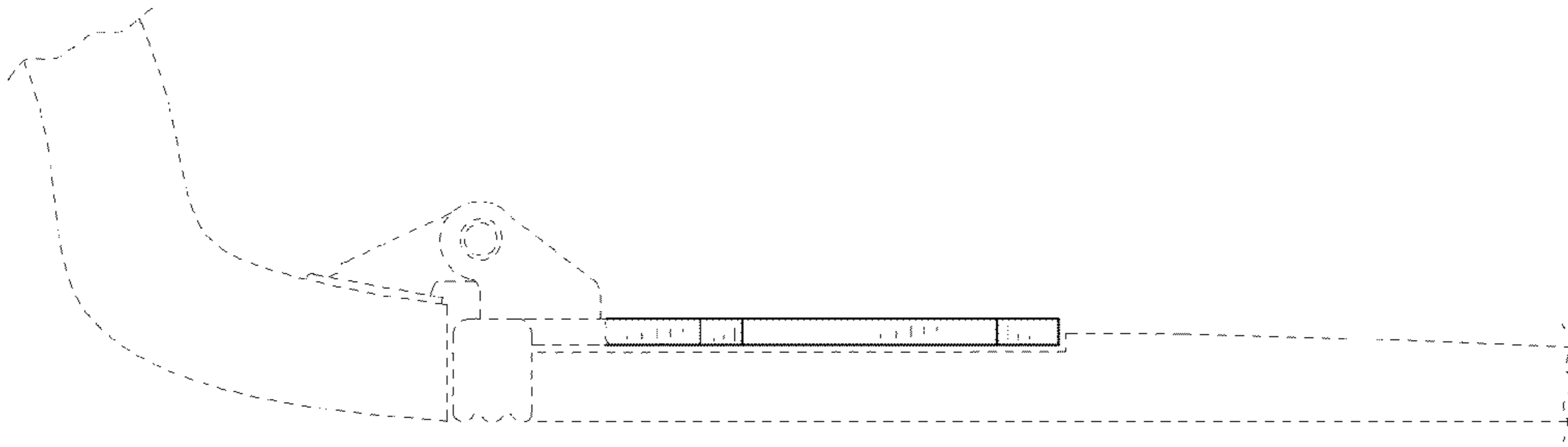


Fig. 4

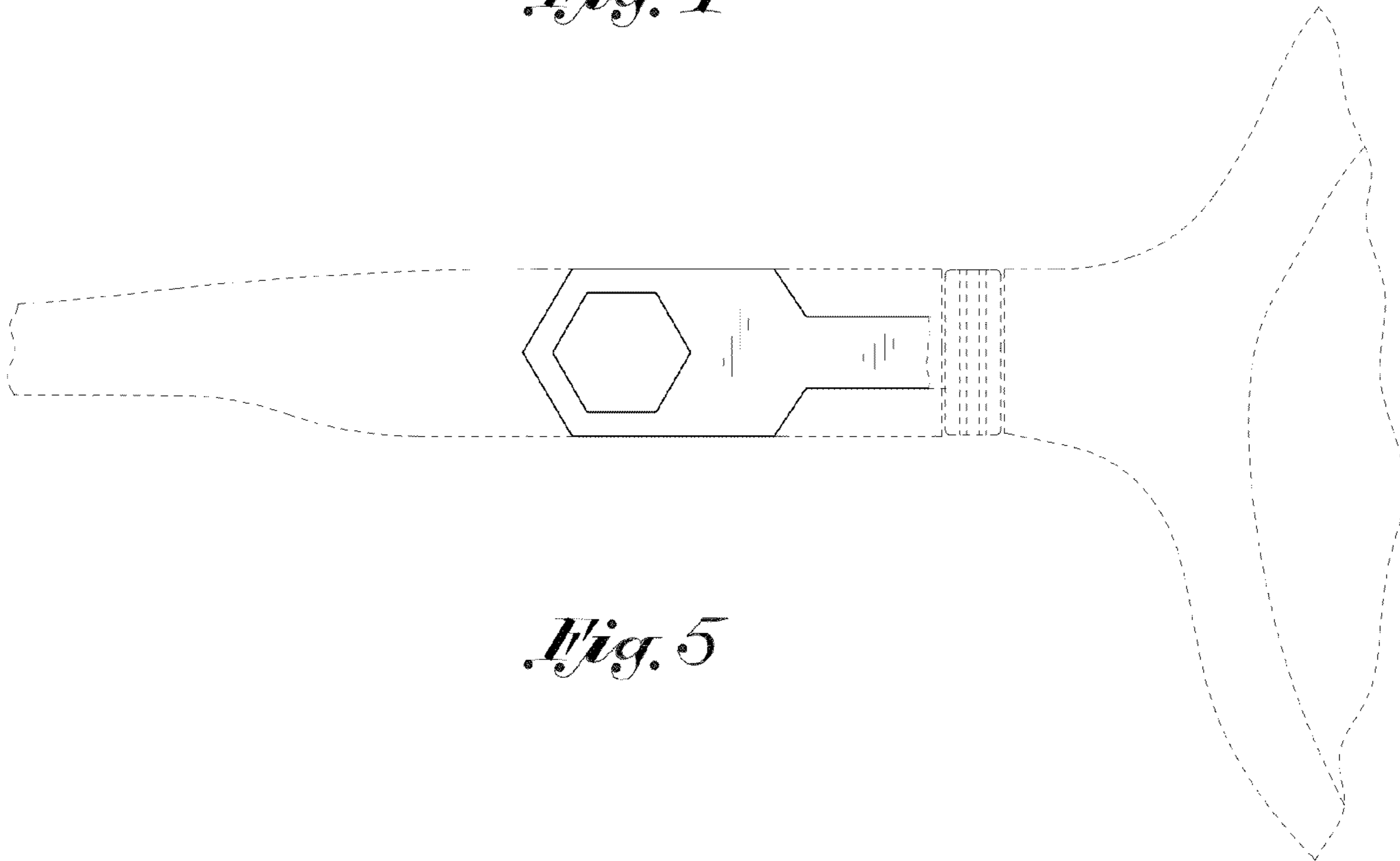


Fig. 5

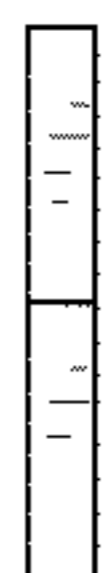


Fig. 6

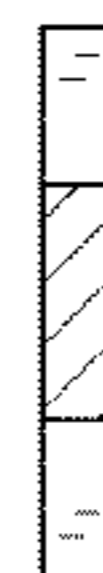


Fig. 7