



US00D721395S

(12) **United States Design Patent**  
**Woodman et al.**

(10) **Patent No.:** **US D721,395 S**  
(45) **Date of Patent:** **\*\* Jan. 20, 2015**

(54) **CAMERA**

(75) Inventors: **Nicholas D. Woodman**, Sausalito, CA (US); **Fred Bould**, Half Moon Bay, CA (US); **Kristen Beck**, San Mateo, CA (US); **David Christophe Northway**, San Carlos, CA (US); **David Andres Guasca**, San Mateo, CA (US); **Karen Ann Baumgartner**, San Mateo, CA (US); **Scott Patrick Campbell**, Belmont, CA (US); **Rudy Lucas Samuels**, Mill Valley, CA (US); **Fabrice Barbier**, San Carlos, CA (US); **Evan L. Coons**, San Mateo, CA (US)

(73) Assignee: **GoPro, Inc.**, San Mateo, CA (US)

(\*\*) Term: **14 Years**

(21) Appl. No.: **29/432,151**

(22) Filed: **Sep. 13, 2012**

(51) **LOC (10) Cl.** ..... **16-01**

(52) **U.S. Cl.**  
USPC ..... **D16/218**

(58) **Field of Classification Search**  
CPC ..... G03B 15/03; G03B 17/02; G03B 17/04;  
G03B 17/56; G03B 19/04; H04N 5/2251;  
H04N 5/2252; H04N 5/2253; H04N 5/2254;  
H04N 2101/00  
USPC ..... D16/200, 202–206, 208, 209, 218, 219;  
348/373–376, 294; 359/826; 396/529,  
396/535, 539–541, 6, 301  
See application file for complete search history.

(56) **References Cited**

**U.S. PATENT DOCUMENTS**

D321,705 S \* 11/1991 Ohmura et al. .... D16/208  
D338,220 S \* 8/1993 Kohno et al. .... D16/208  
D392,659 S \* 3/1998 Takano ..... D16/202  
6,233,400 B1 \* 5/2001 Muramatsu et al. .... 396/6

D524,836 S \* 7/2006 Morita ..... D16/202  
D527,403 S \* 8/2006 Byun et al. .... D16/202  
D532,029 S \* 11/2006 Kim ..... D16/202  
D532,030 S \* 11/2006 Yoshida ..... D16/202  
D532,433 S \* 11/2006 Sato ..... D16/202  
D533,574 S \* 12/2006 Hamamura ..... D16/202  
D534,564 S \* 1/2007 Tainaka ..... D16/202  
D538,322 S \* 3/2007 Horikiri ..... D16/202  
7,626,621 B2 \* 12/2009 Ito et al. .... 348/294  
7,683,968 B2 \* 3/2010 Hagihara et al. .... 348/373  
7,768,727 B2 \* 8/2010 Iida ..... 359/826  
7,801,439 B2 \* 9/2010 Nagata et al. .... 396/301  
D641,389 S \* 7/2011 Dastagir ..... D16/219  
2005/0019029 A1 \* 1/2005 Kawakami ..... 396/6  
2005/0212959 A1 \* 9/2005 Manabe et al. .... 348/375  
2006/0233545 A1 \* 10/2006 Senba et al. .... 396/529

\* cited by examiner

*Primary Examiner* — Adir Aronovich

*Assistant Examiner* — Ramzi Almatrahi

(74) *Attorney, Agent, or Firm* — Fenwick & West LLP

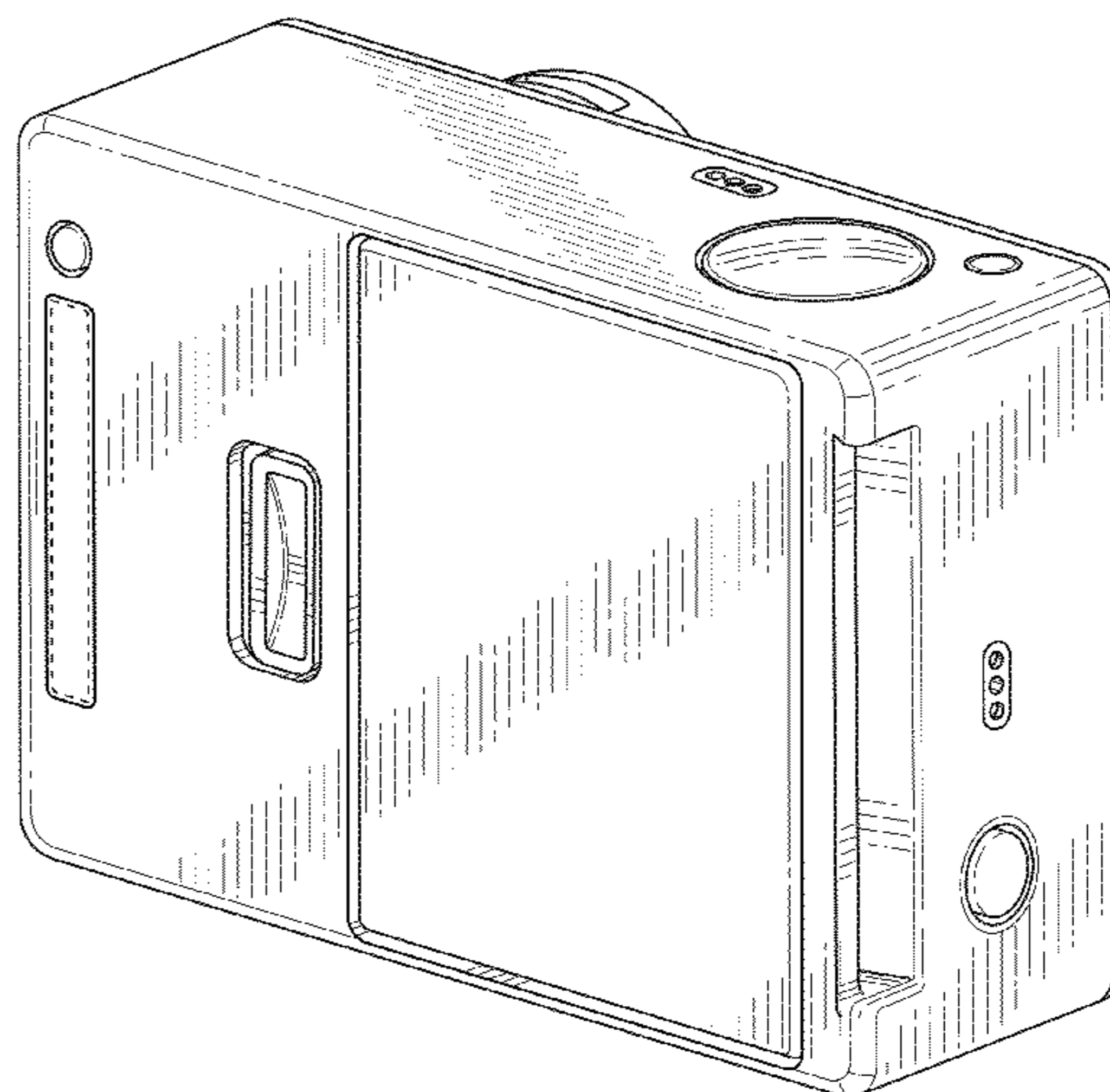
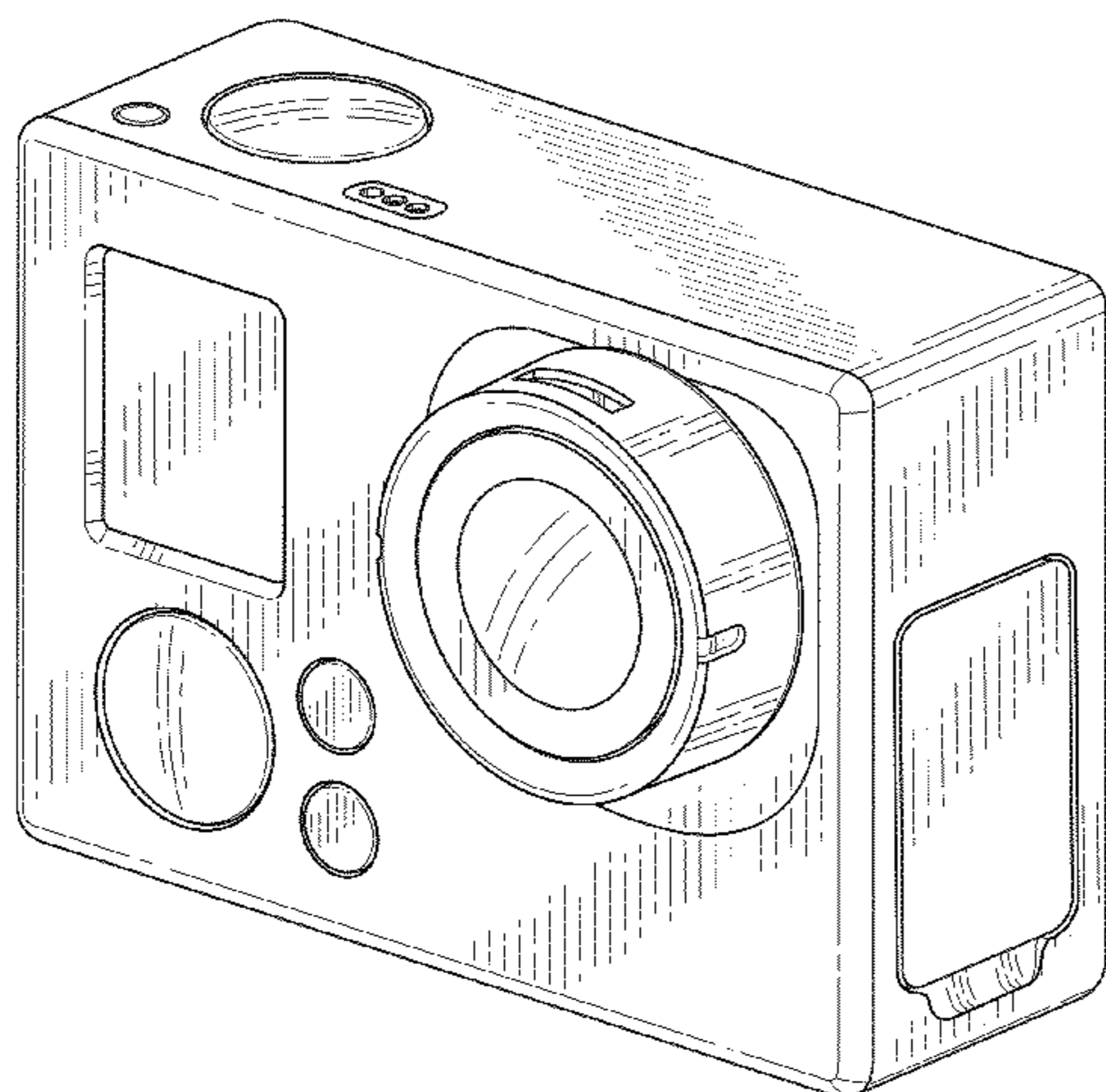
(57) **CLAIM**

The ornamental design for a camera, as shown and described.

**DESCRIPTION**

FIG. 1 is a front, top and right side perspective view of a camera showing our new design;  
FIG. 2 is a front, bottom and left side perspective view thereof;  
FIG. 3 is a rear, top and left side perspective view thereof;  
FIG. 4 is a rear, bottom and right side perspective view thereof;  
FIG. 5 is a front elevational view thereof;  
FIG. 6 is a rear elevational view thereof;  
FIG. 7 is a right side elevational view thereof;  
FIG. 8 is a left side elevational view thereof;  
FIG. 9 is a top plan view thereof; and,  
FIG. 10 is a bottom plan view thereof.  
The broken lines depict portions of a camera in which the design is embodied and form no part of the claimed design.

**1 Claim, 10 Drawing Sheets**



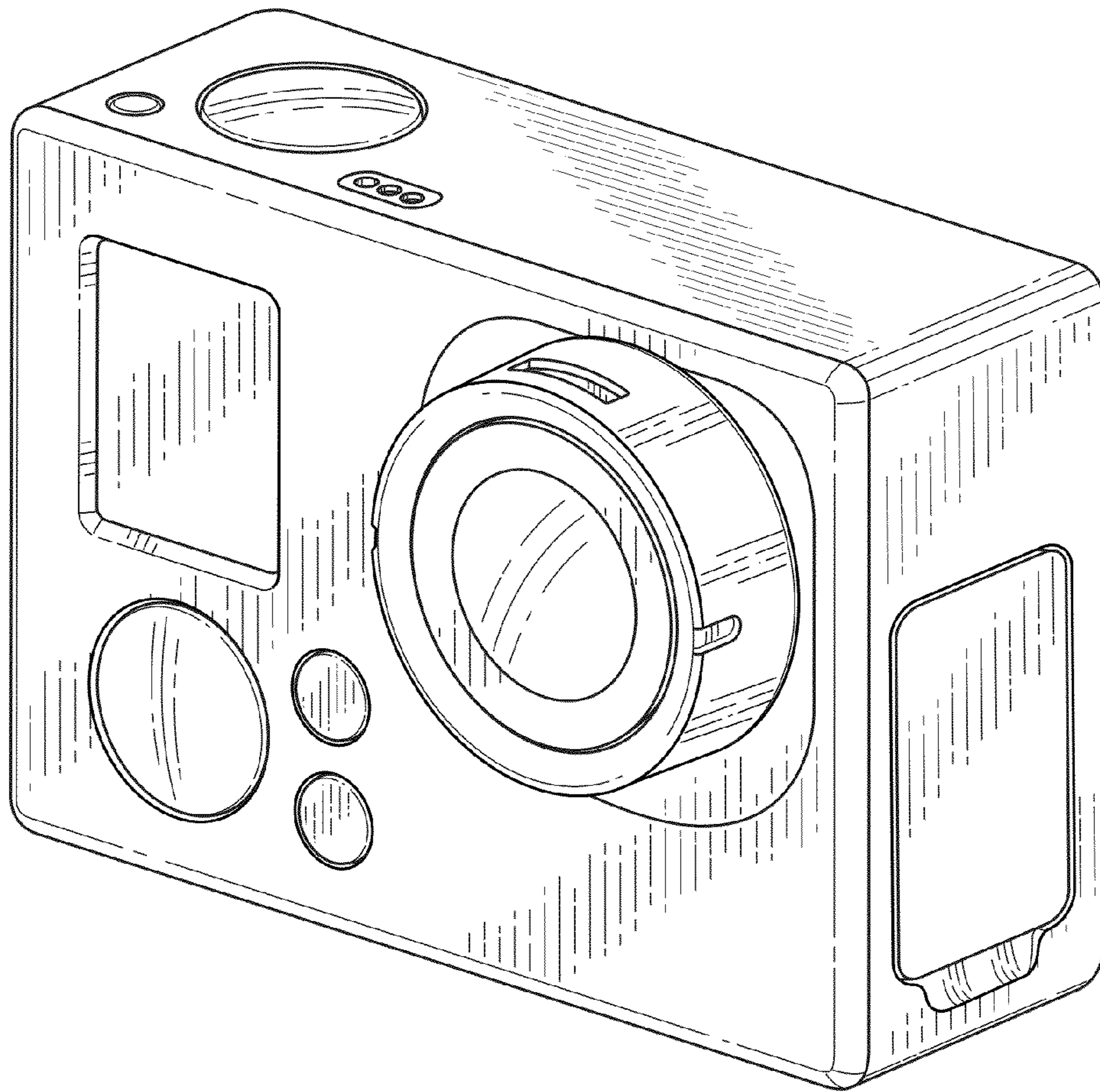


FIG. 1

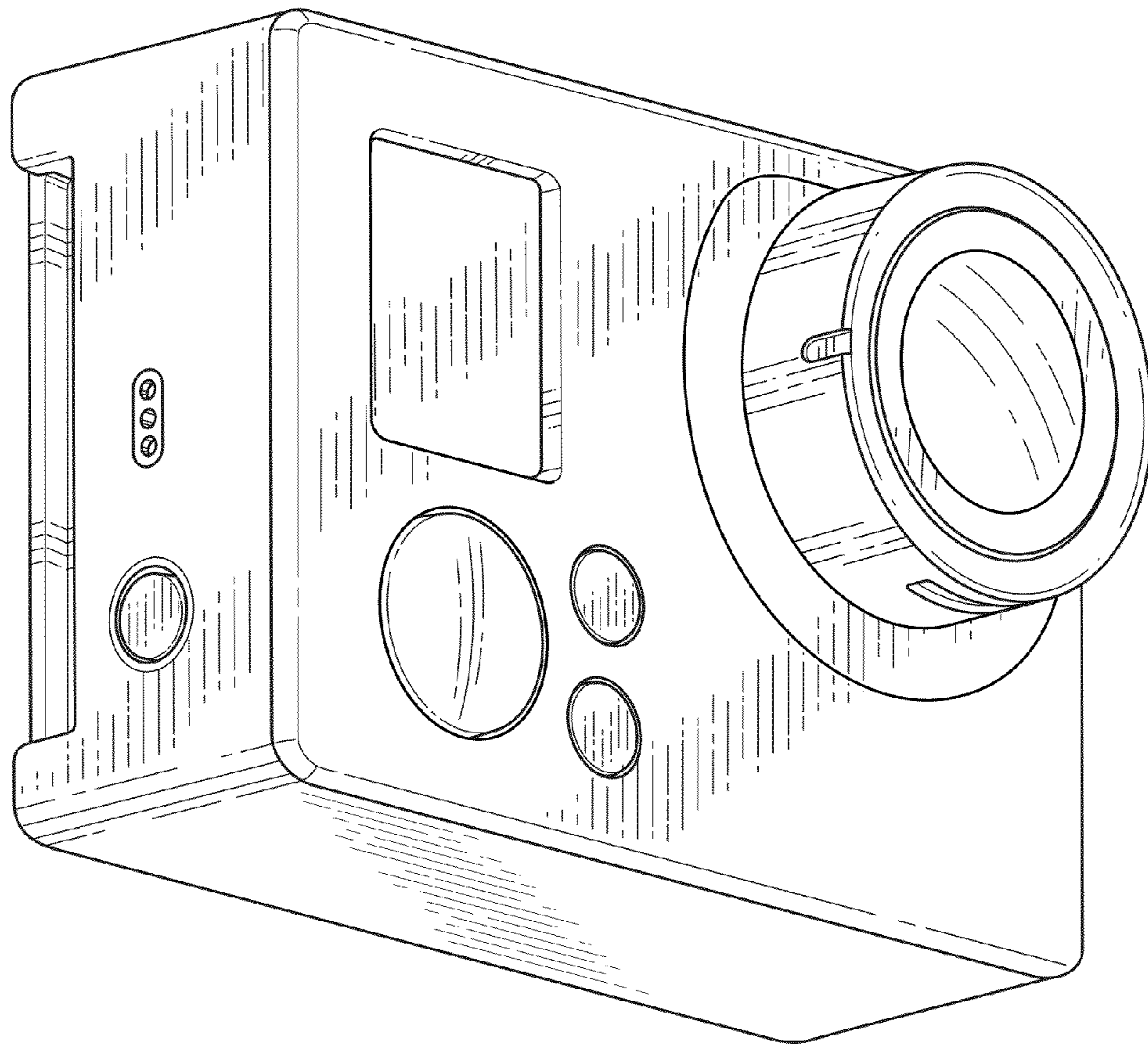


FIG. 2

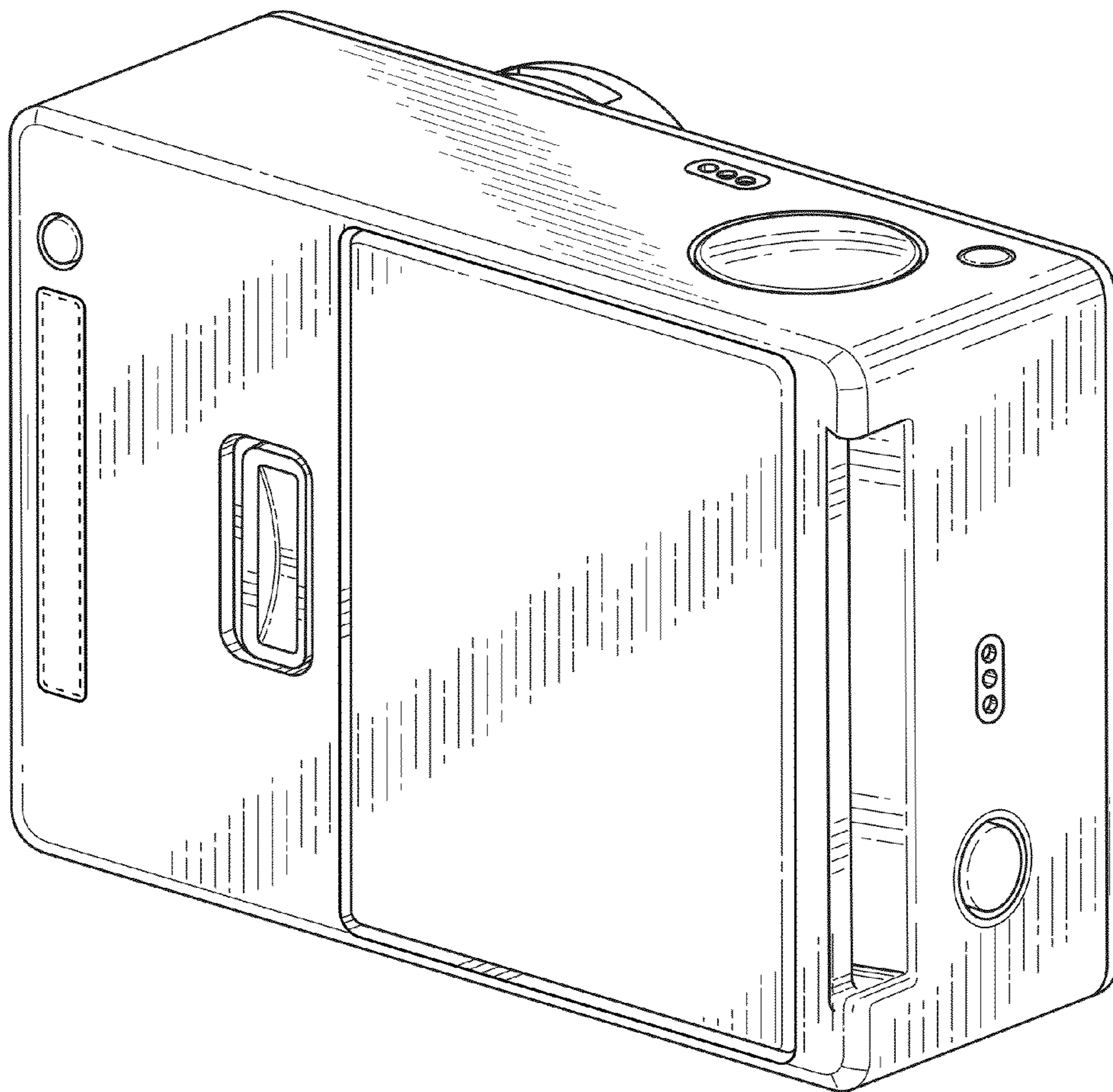


FIG. 3

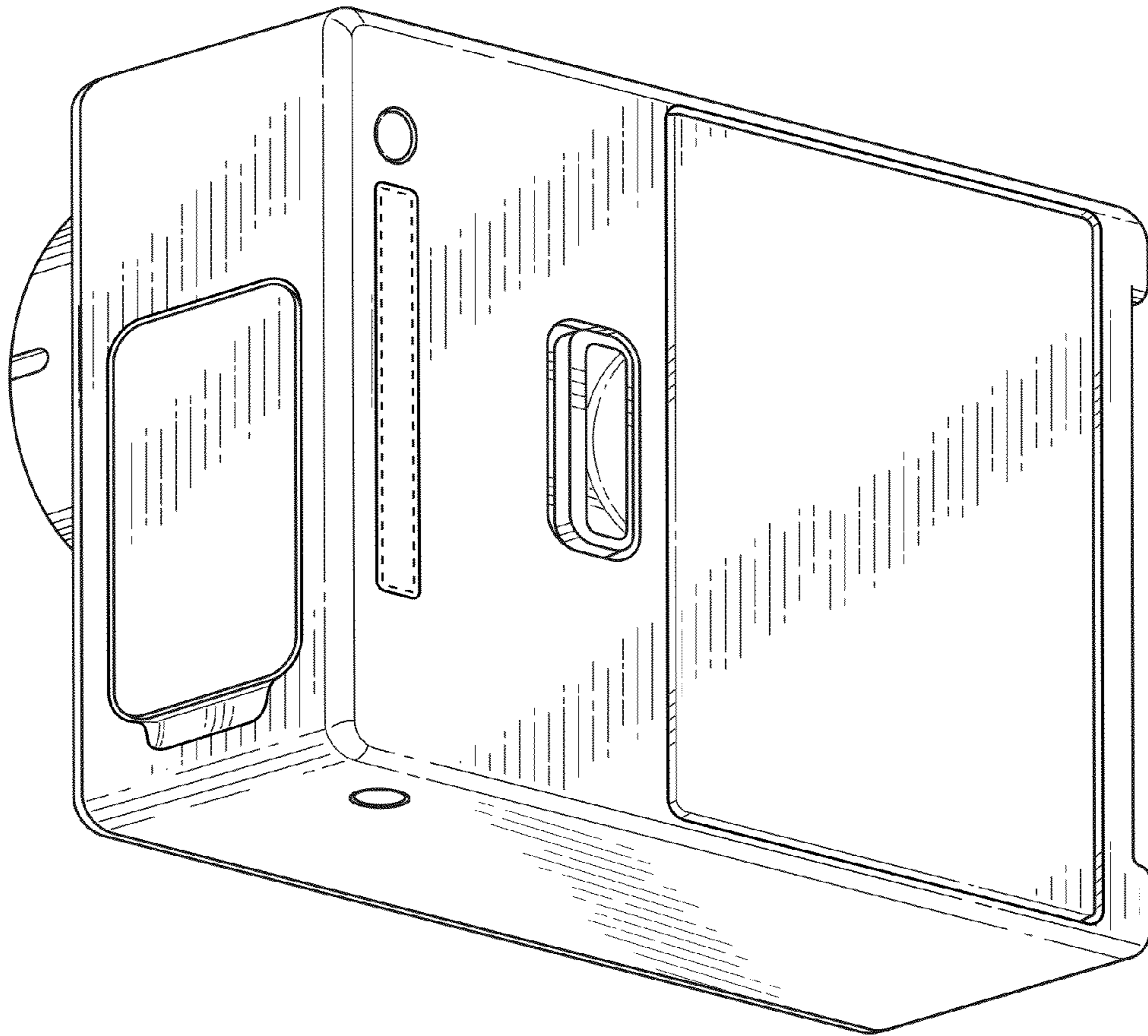


FIG. 4

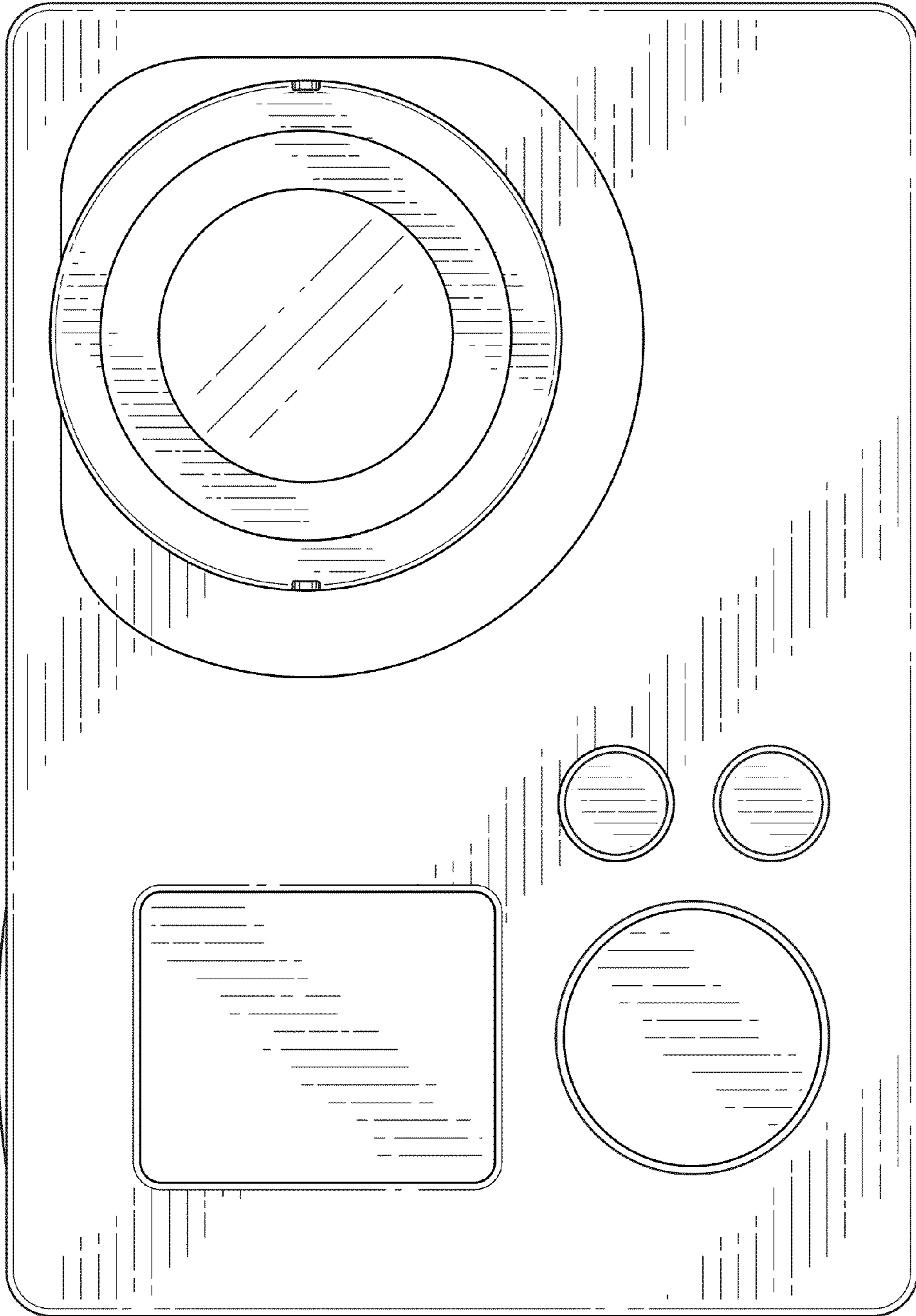


FIG. 5

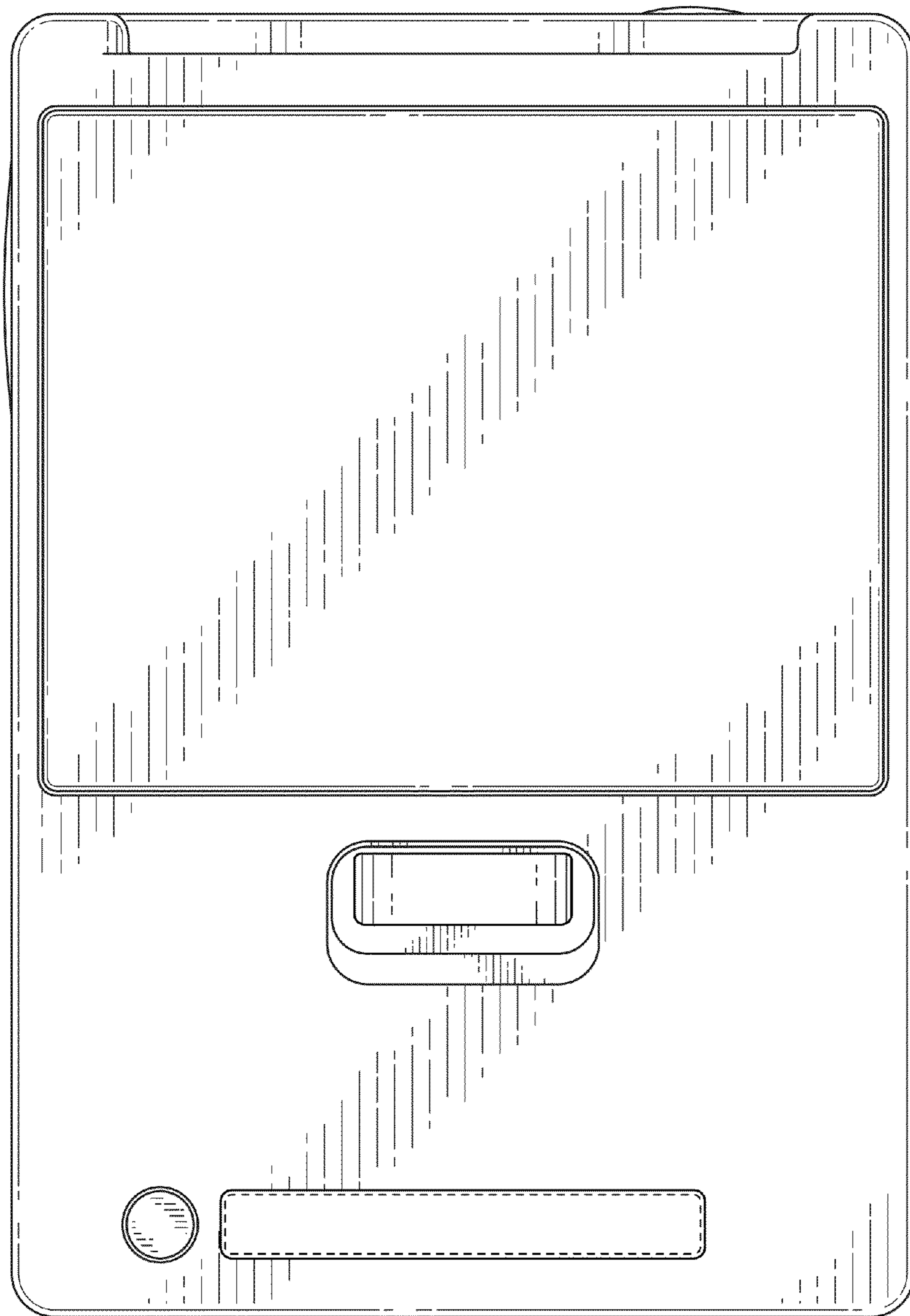


FIG. 6

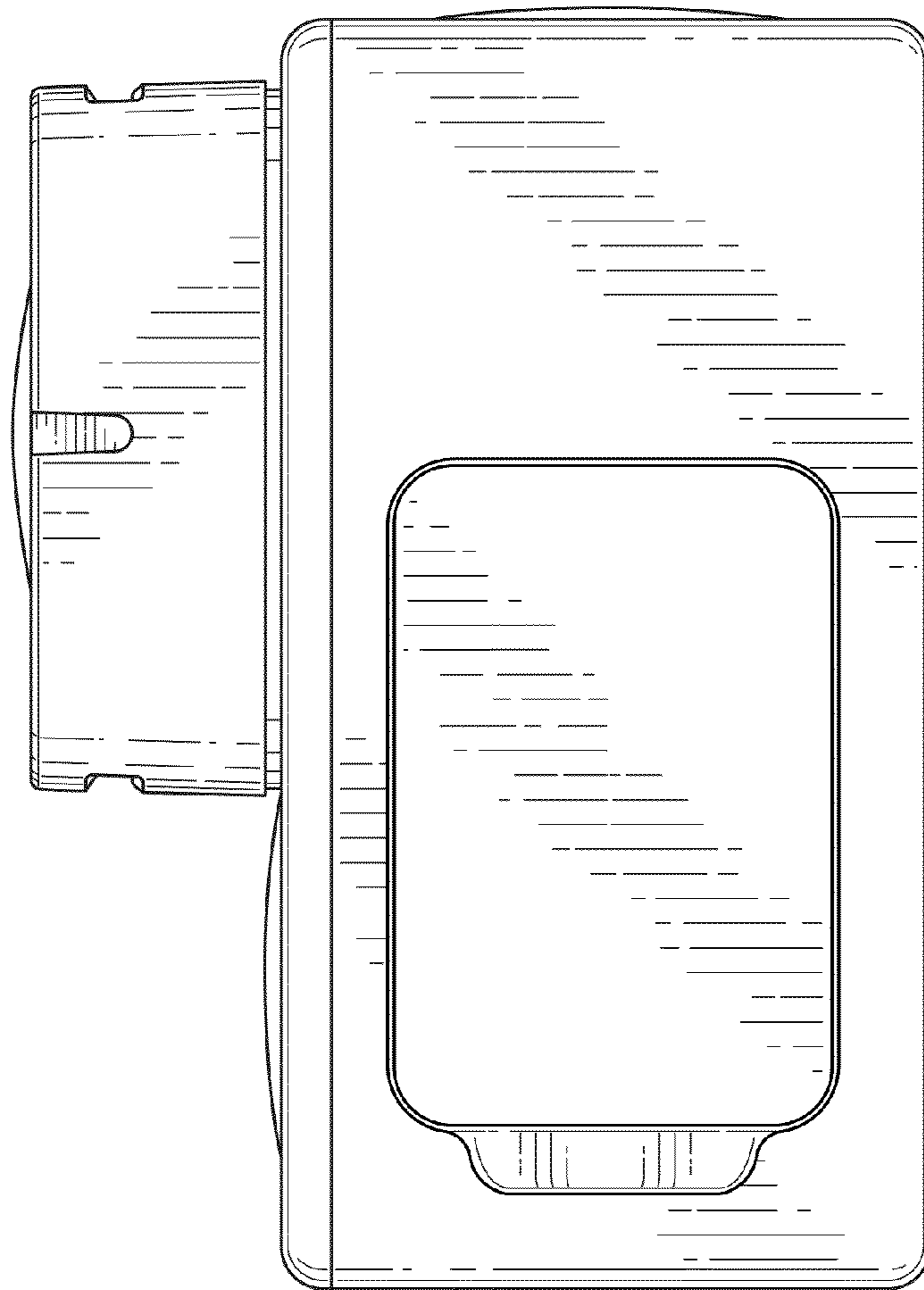


FIG. 7



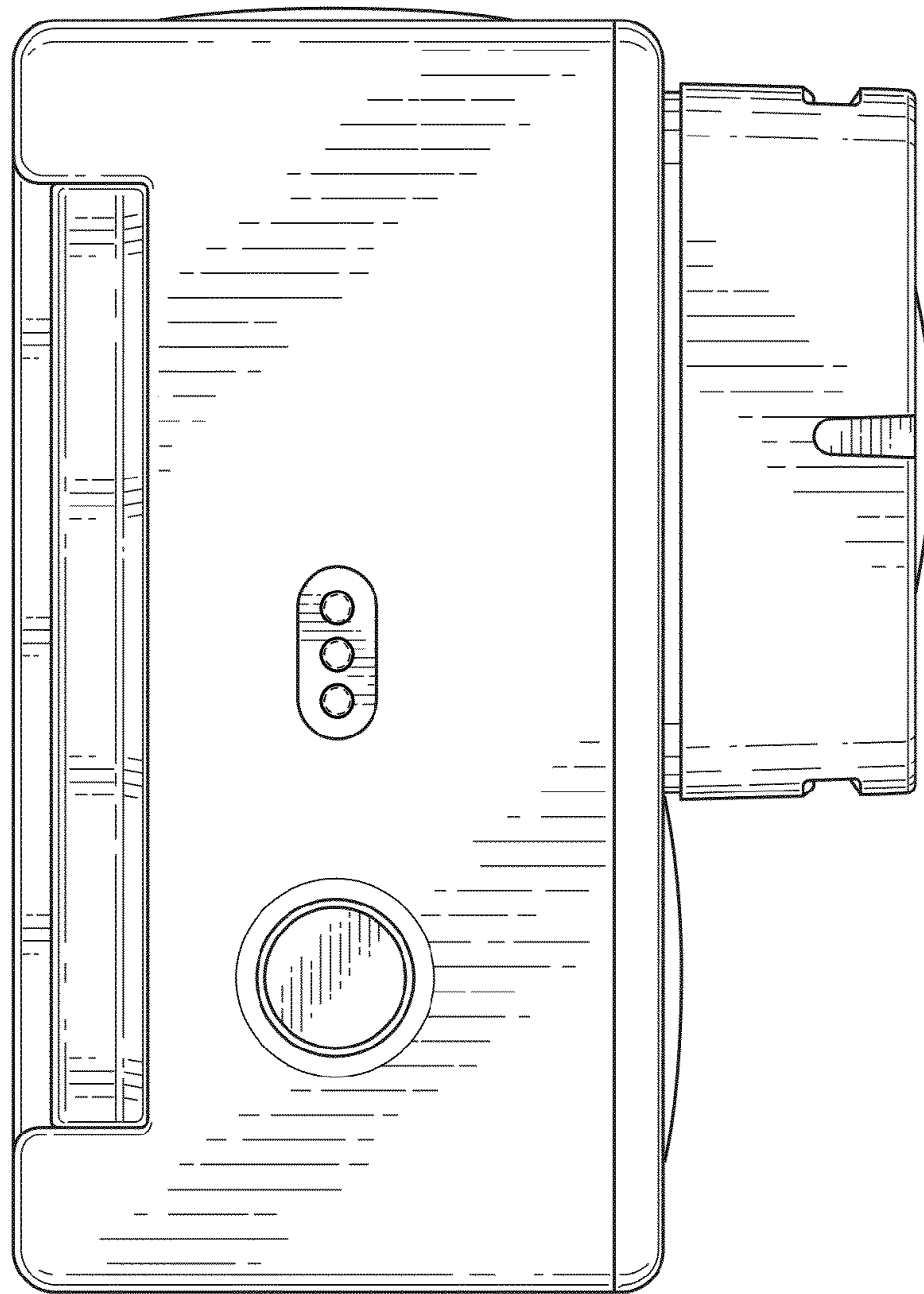


FIG. 8

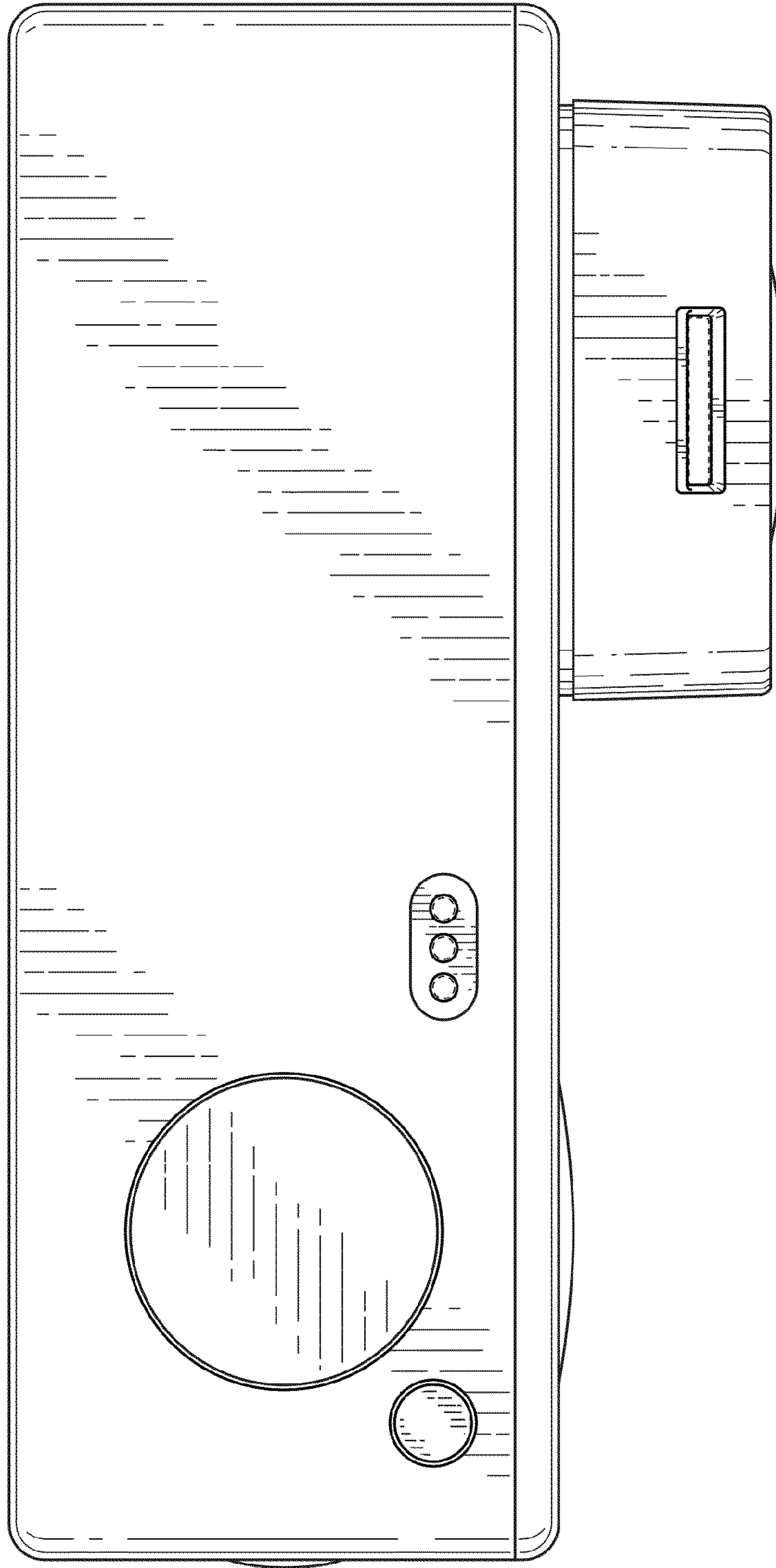


FIG. 9

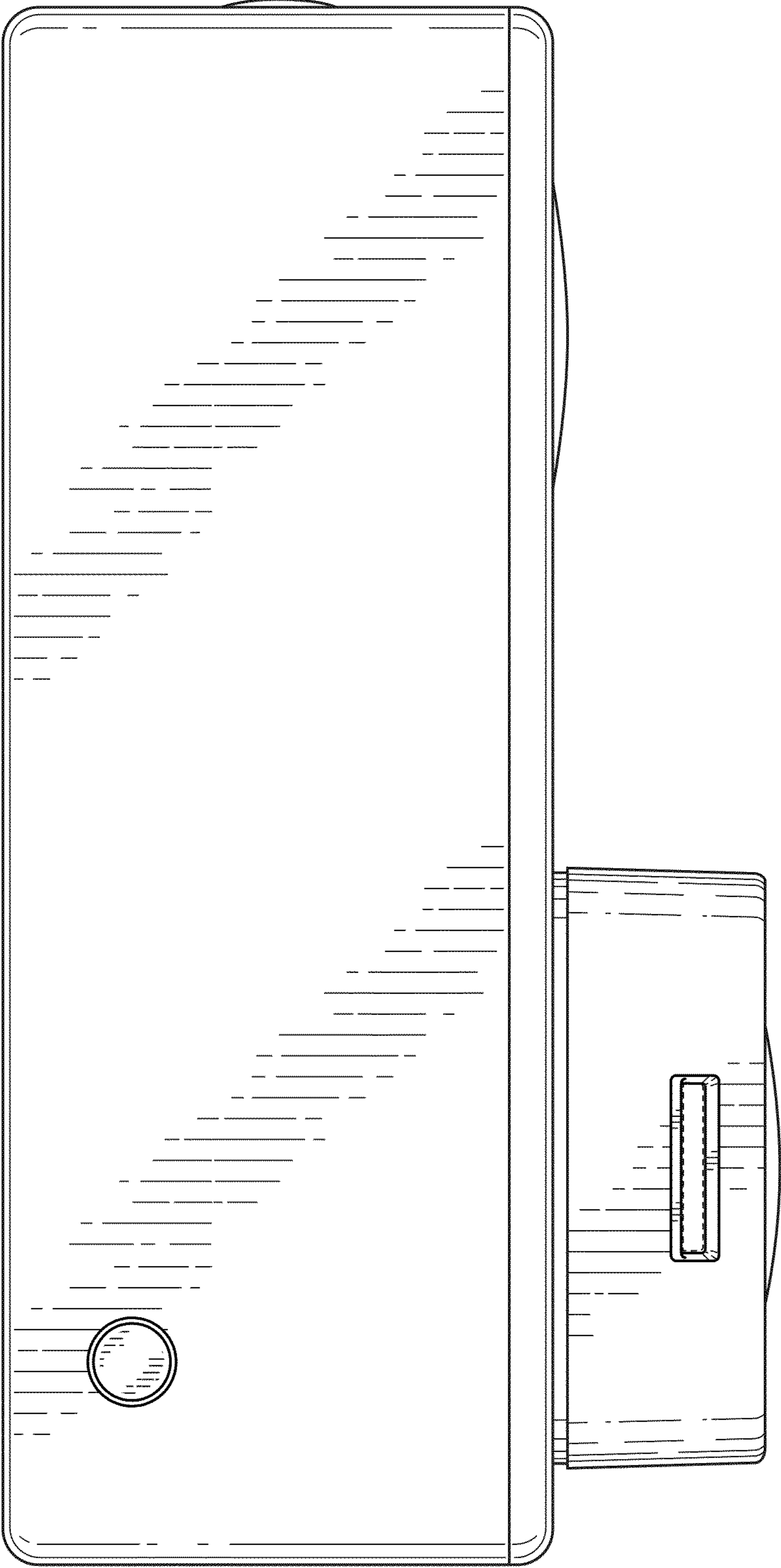


FIG. 10