

US00D721394S

(12) **United States Design Patent**
Rim et al.

(10) **Patent No.:** **US D721,394 S**
(45) **Date of Patent:** **** Jan. 20, 2015**

(54) **PACKAGING MACHINE FOR FOOD CONTAINER**

(71) Applicants: **Yong Soo Rim**, Daejeon (KR); **Jung Kun Ahn**, Ansan-si (KR)

(72) Inventors: **Yong Soo Rim**, Daejeon (KR); **Jung Kun Ahn**, Ansan-si (KR)

(**) Term: **14 Years**

(21) Appl. No.: **29/453,286**

(22) Filed: **Apr. 26, 2013**

(30) **Foreign Application Priority Data**

Apr. 4, 2013 (KR) 30-2013-0017263

(51) **LOC (10) Cl.** **15-99**

(52) **U.S. Cl.**
USPC **D15/146**

(58) **Field of Classification Search**
USPC D15/122, 145, 146; 53/167, 202, 203,
53/266.1, 279, 284.5, 285, 370.7, 370.9,
53/381.1, 426, 558, 563, 565; 100/8, 25,
100/26, 29, 32; 493/184

See application file for complete search history.

(56) **References Cited**

U.S. PATENT DOCUMENTS

D593,586 S *	6/2009	Hashimoto et al.	D15/146
D624,574 S *	9/2010	Hall et al.	D15/146
D682,329 S *	5/2013	Day et al.	D15/146
D694,792 S *	12/2013	Day et al.	D15/146
D698,836 S *	2/2014	Rim et al.	D15/145
D706,846 S *	6/2014	Rim et al.	D15/145

* cited by examiner

Primary Examiner — Patricia Palasik

(74) *Attorney, Agent, or Firm* — Volpe and Koenig, P.C.

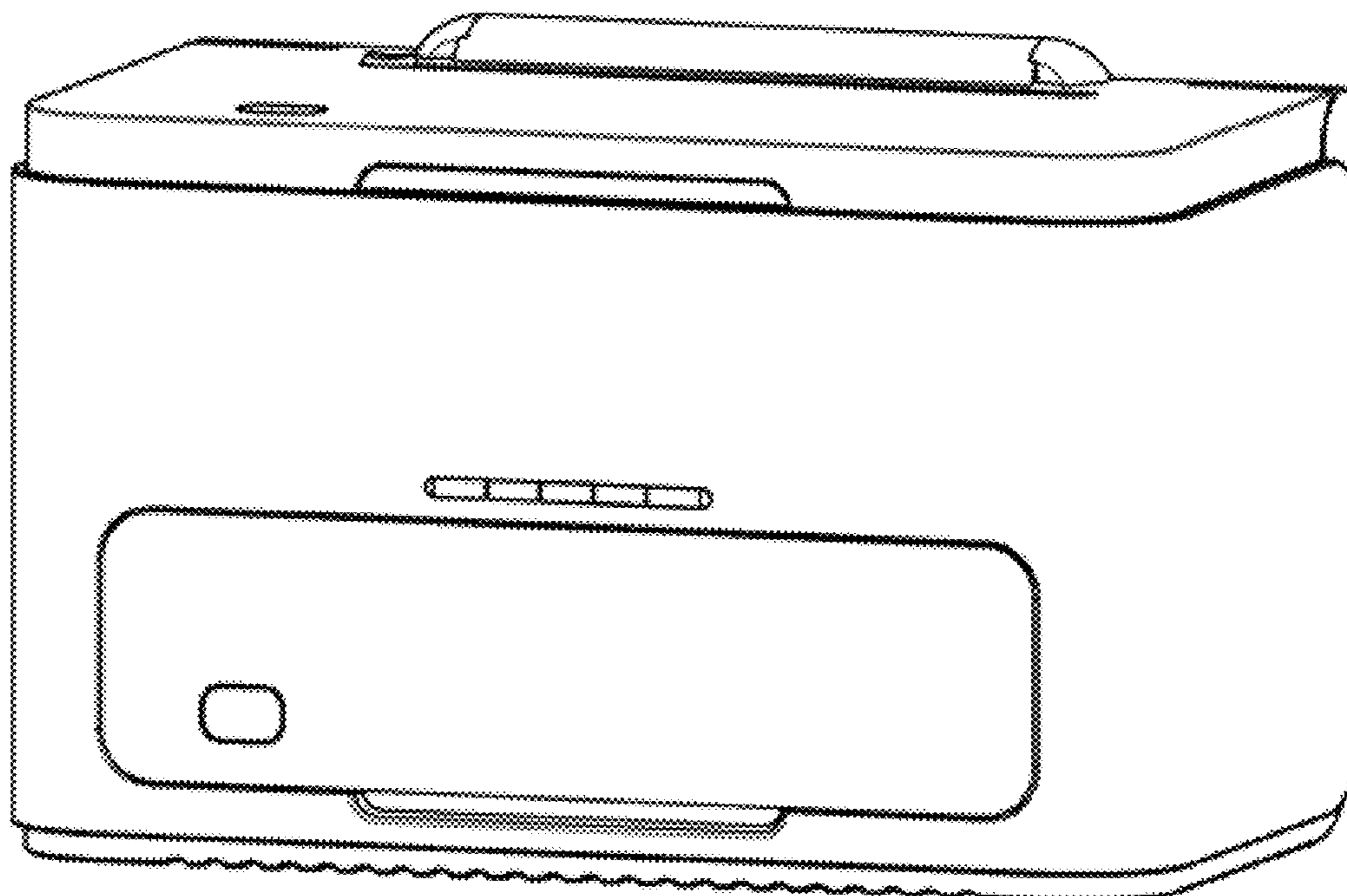
(57) **CLAIM**

The ornamental design for packaging machine for food container, as shown and described.

DESCRIPTION

FIG. 1 is a front elevation view of the packaging machine for food container of our design;
FIG. 2 is a rear elevation view of the packaging machine for food container of FIG. 1;
FIG. 3 is a left side elevation view of the packaging machine for food container of FIG. 1;
FIG. 4 is a right side elevation view of the packaging machine for food container of FIG. 1;
FIG. 5 is a top plan view of the packaging machine for food container of FIG. 1; and,
FIG. 6 is a perspective view of the packaging machine for food container of FIG. 1.

1 Claim, 6 Drawing Sheets



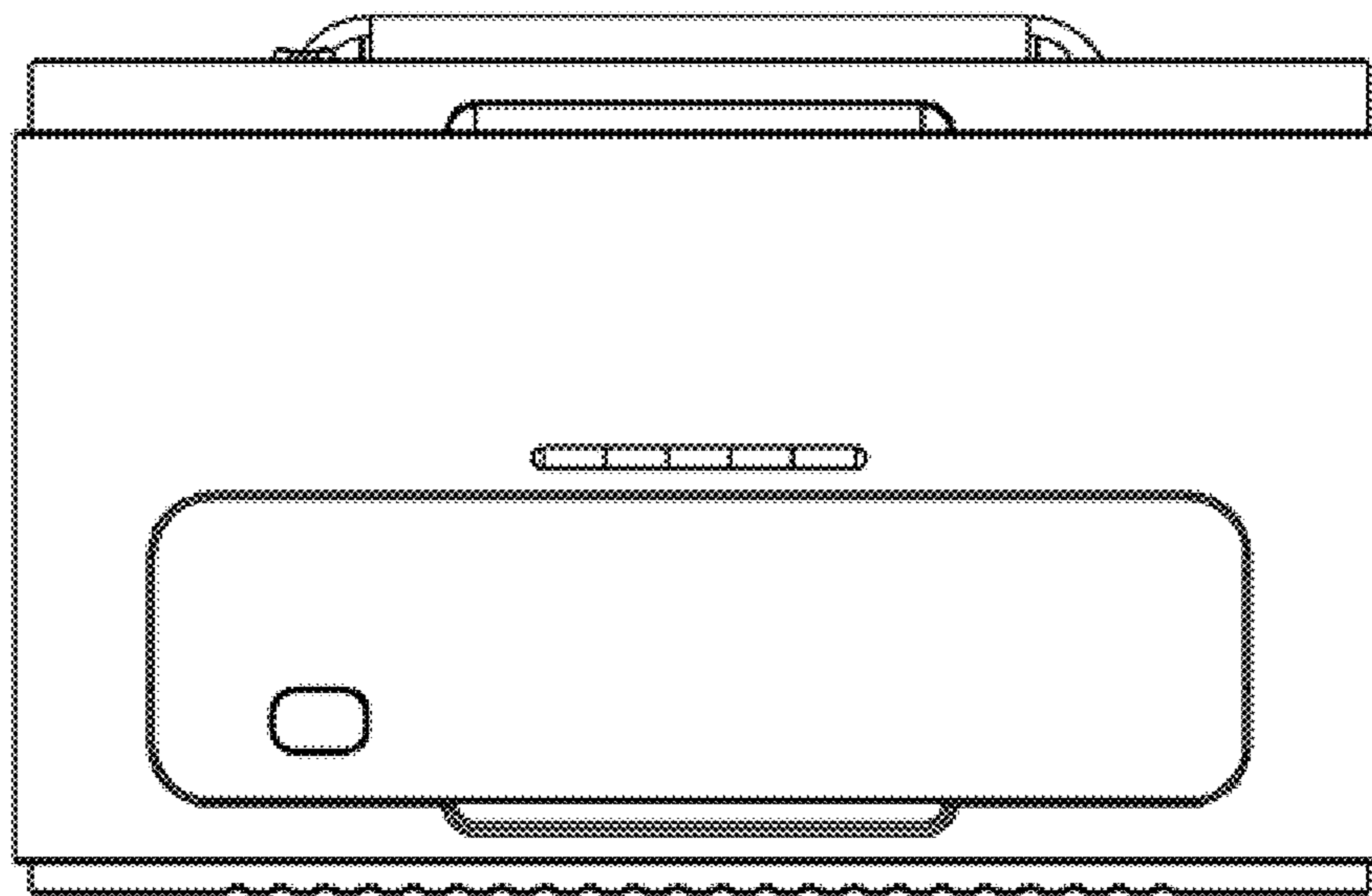


FIG. 1

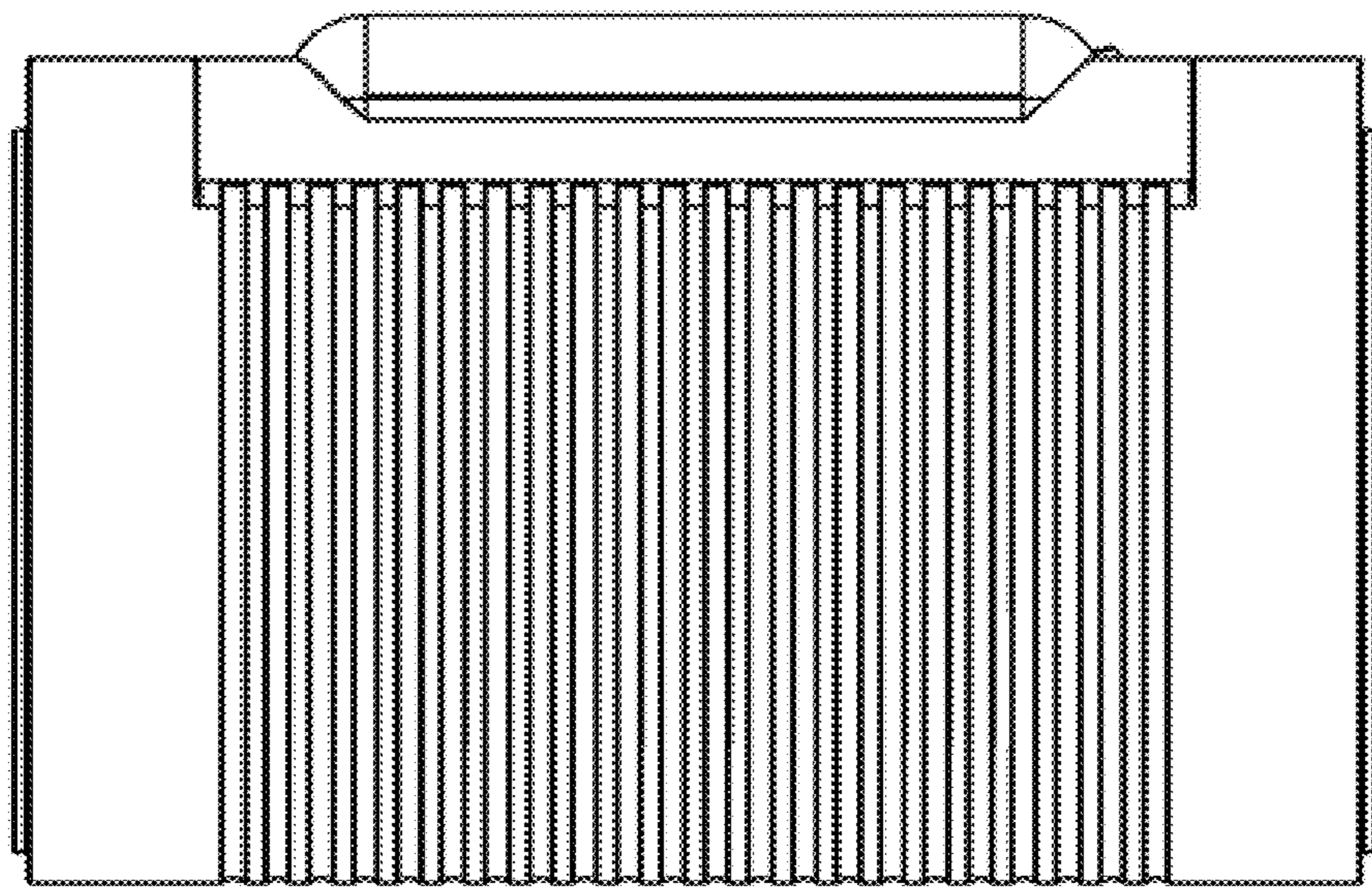


FIG. 2

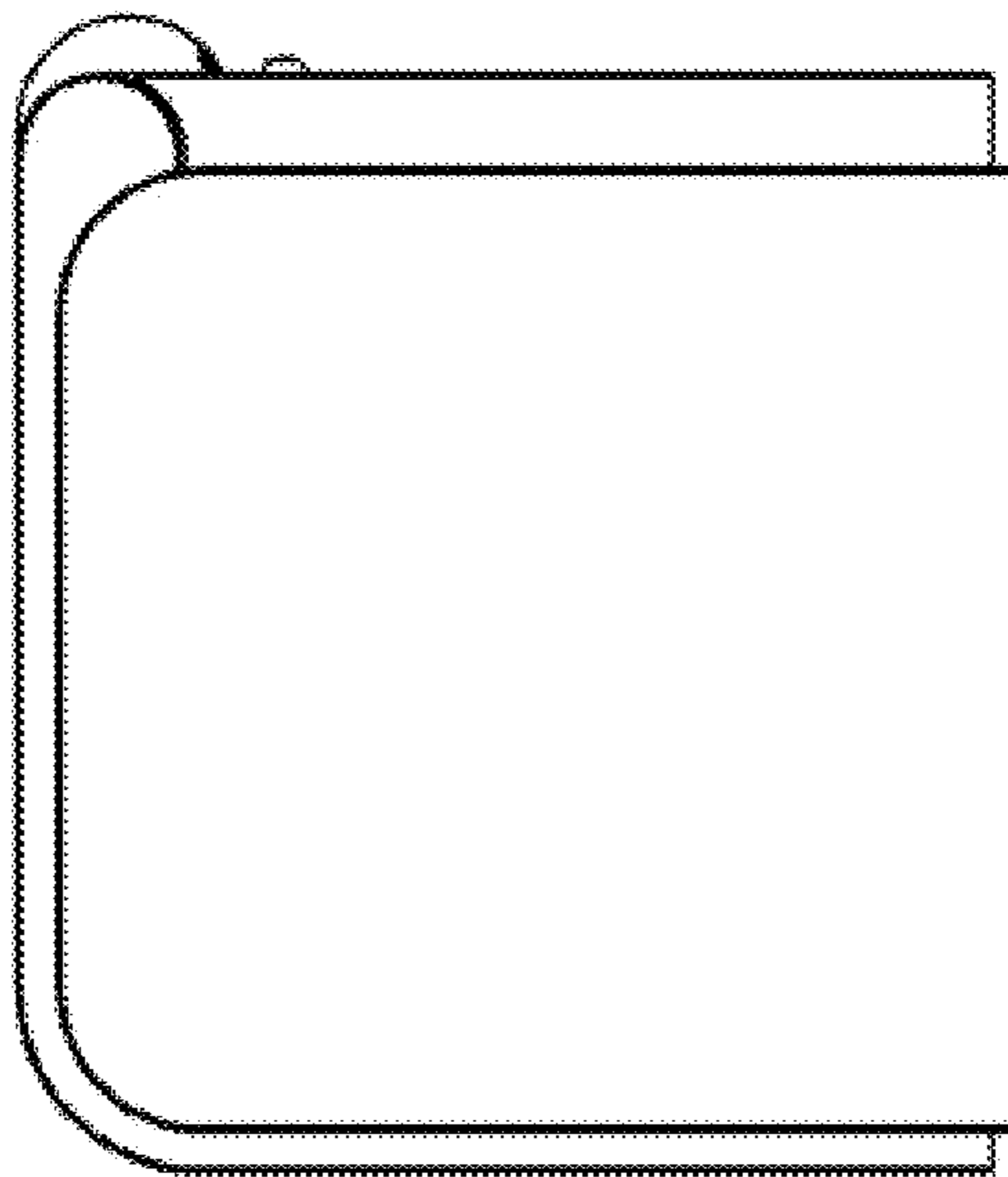


FIG. 3

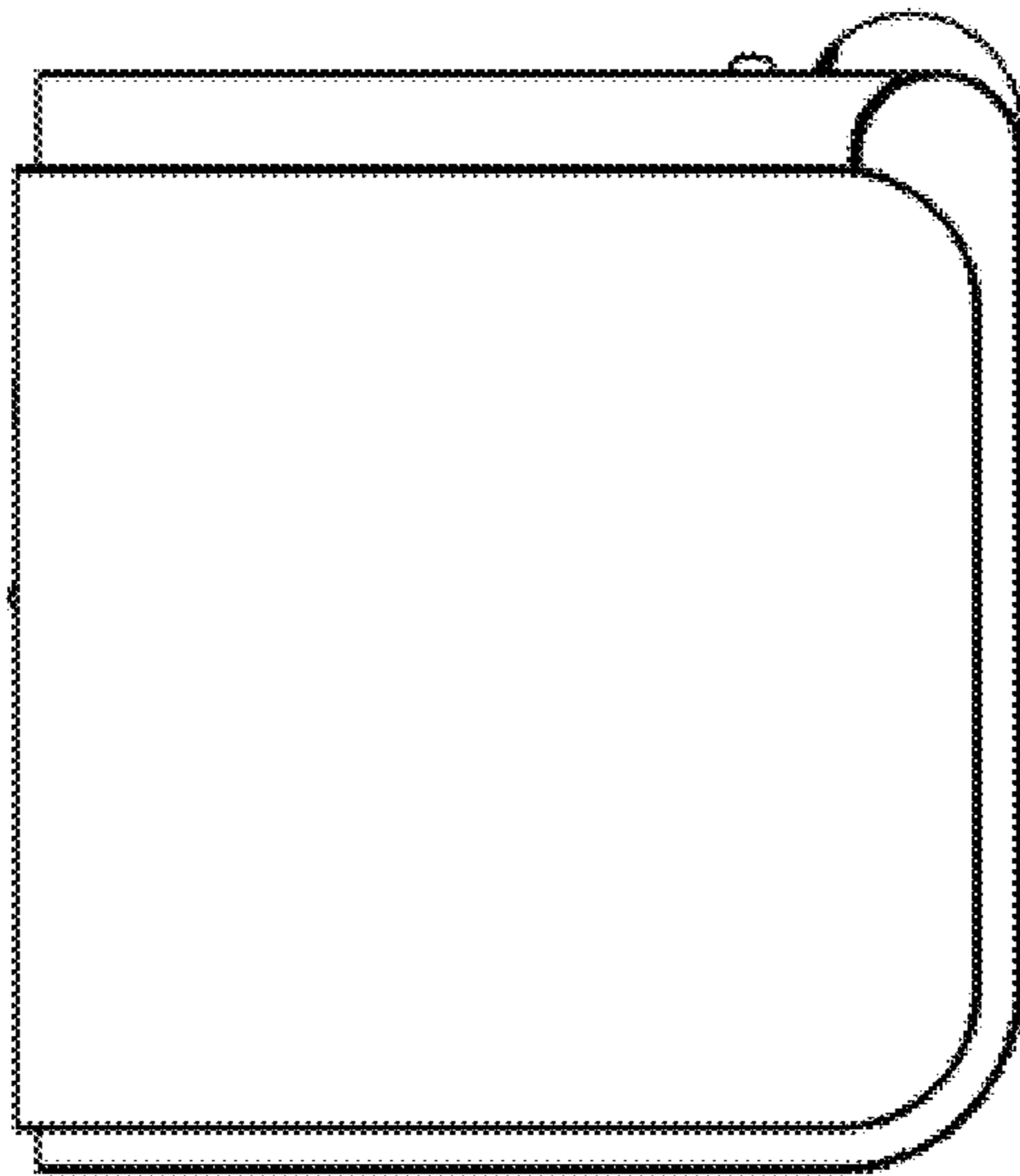


FIG. 4

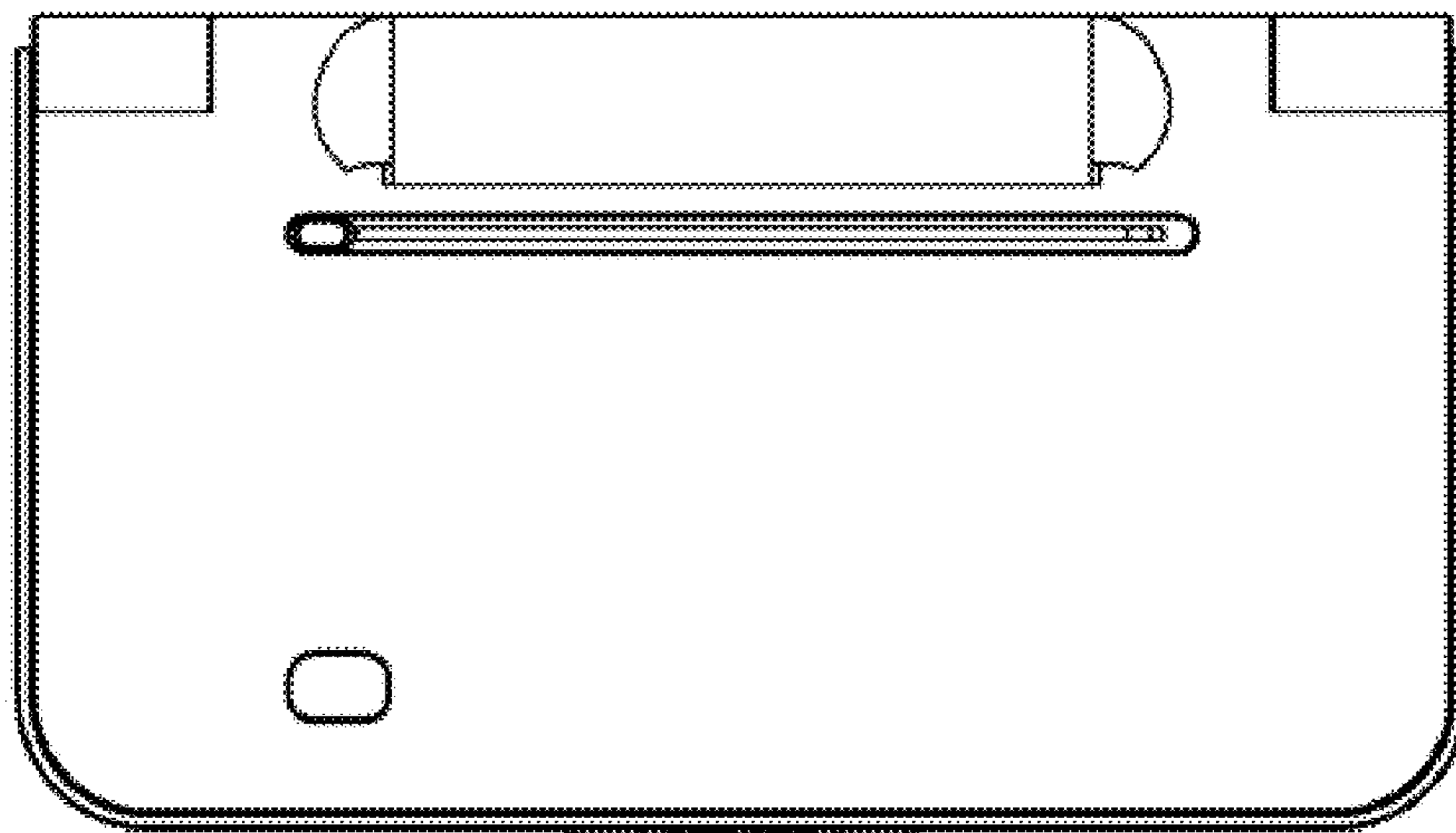


FIG. 5

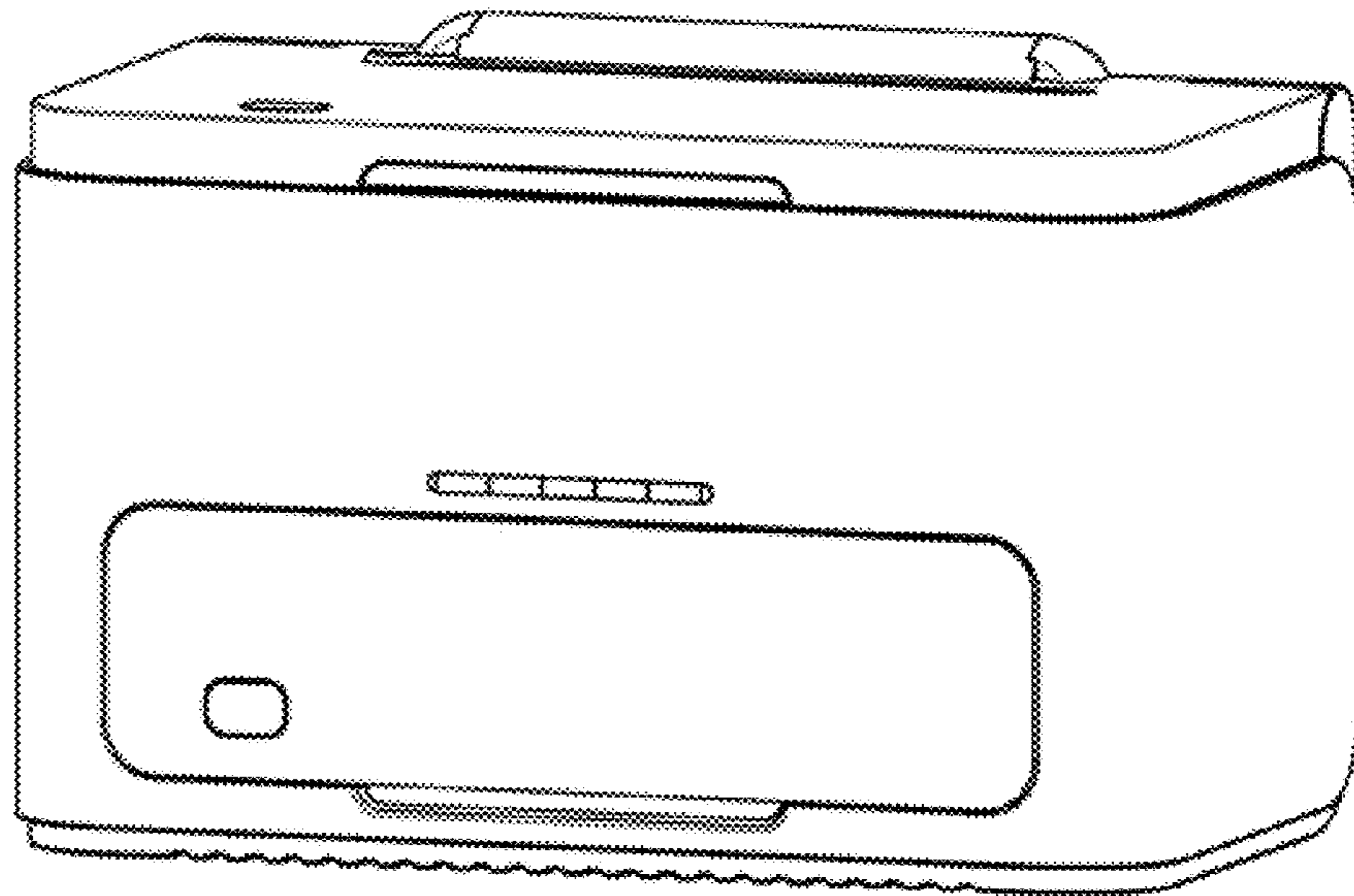


FIG. 6