



US00D721393S

(12) **United States Design Patent**
Hawran

(10) **Patent No.:** **US D721,393 S**
(45) **Date of Patent:** **** Jan. 20, 2015**

(54) **LABORATORY FLUIDIZED BED EQUIPMENT**

(71) Applicant: **Glatt GmbH**, Binzen (DE)

(72) Inventor: **Werner Hawran**, Roth (DE)

(73) Assignee: **Glatt GmbH**, Binzen (DE)

(**) Term: **14 Years**

(21) Appl. No.: **29/439,609**

(22) Filed: **Dec. 13, 2012**

(30) **Foreign Application Priority Data**

Jun. 15, 2012 (WO) DM/078530

(51) **LOC (10) Cl.** **15-09**

(52) **U.S. Cl.**
USPC **D15/122**

(58) **Field of Classification Search**
USPC D15/122, 136, 199; 118/64, 300, 309,
118/310, 324
See application file for complete search history.

(56) **References Cited**

U.S. PATENT DOCUMENTS

2,400,315 A * 5/1946 Paasche 118/64
3,669,068 A * 6/1972 Geitz 118/64
6,068,702 A * 5/2000 Bertellotti et al. 118/621
D567,264 S * 4/2008 Muller et al. D15/122
D616,472 S * 5/2010 Fusejima D15/122

(Continued)

OTHER PUBLICATIONS

Pictures of prior art equipment of Glatt GmbH, Binzen, Germany.
Mini-Glatt and "Midi-Glatt." (Dec. 2011 and earlier).

Primary Examiner — Patricia Palasik

(74) *Attorney, Agent, or Firm* — Volpe and Koenig, P.C.

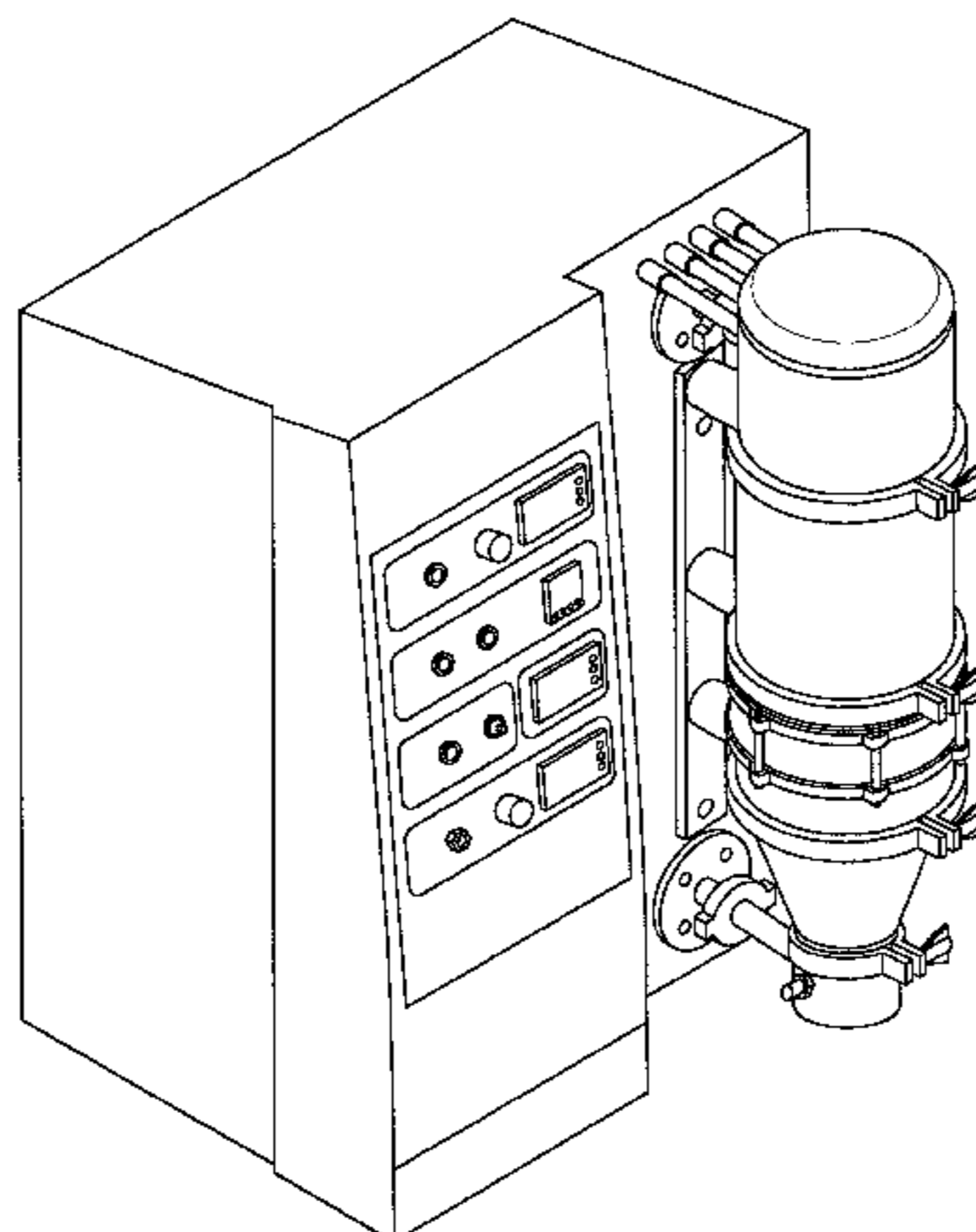
(57) **CLAIM**

The ornamental design for a laboratory fluidized bed equipment, as shown and described.

DESCRIPTION

FIG. 1 is a top, front, left perspective view of a laboratory fluidized bed equipment in accordance with my design;
FIG. 2 is a front elevational view thereof;
FIG. 3 is a rear elevational view thereof;
FIG. 4 is a left side elevational view thereof;
FIG. 5 is a right side elevational view thereof;
FIG. 6 is a top plan view thereof; and
FIG. 7 is a bottom view thereof;
FIG. 8 is a top, front, left perspective view of a second embodiment of a laboratory fluidized bed equipment in accordance with my design;
FIG. 9 is a front elevational view thereof;
FIG. 10 is a rear elevational view thereof;
FIG. 11 is a left side elevational view thereof;
FIG. 12 is a right side elevational view thereof;
FIG. 13 is a top plan view thereof; and
FIG. 14 is a bottom view thereof;
FIG. 15 is a top, front, left perspective view of a third embodiment of a laboratory fluidized bed equipment in accordance with my design;
FIG. 16 is a front elevational view thereof;
FIG. 17 is a rear elevational view thereof;
FIG. 18 is a left side elevational view thereof;
FIG. 19 is a right side elevational view thereof;
FIG. 20 is a top plan view thereof; and
FIG. 21 is a bottom view thereof;
FIG. 22 is a top, front, left perspective view of a fourth embodiment of a laboratory fluidized bed equipment in accordance with my design;
FIG. 23 is a front elevational view thereof;
FIG. 24 is a rear elevational view thereof;
FIG. 25 is a left side elevational view thereof;
FIG. 26 is a right side elevational view thereof;
FIG. 27 is a top plan view thereof; and,
FIG. 28 is a bottom view thereof.
The broken lines shown form no part of the claimed design.

1 Claim, 28 Drawing Sheets



(56)

References Cited

U.S. PATENT DOCUMENTS

D621,426 S * 8/2010 Fusejima et al. D15/122
D622,296 S * 8/2010 Ueberschlag D15/122
D674,420 S * 1/2013 Ueberschlag et al. D15/122
D685,825 S * 7/2013 Hoelbl D15/122
D690,330 S * 9/2013 Tsuchiyama et al. D15/122

D694,298 S * 11/2013 Hoelbl D15/122
D703,709 S * 4/2014 Tix et al. D15/135
D703,710 S * 4/2014 Tix et al. D15/135
D704,236 S * 5/2014 Tix et al. D15/135
2005/0188919 A1* 9/2005 Nguyen 118/300
2006/0233960 A1* 10/2006 Warren et al. 427/421.1
2008/0003349 A1* 1/2008 Van Sciver et al. 427/8

* cited by examiner

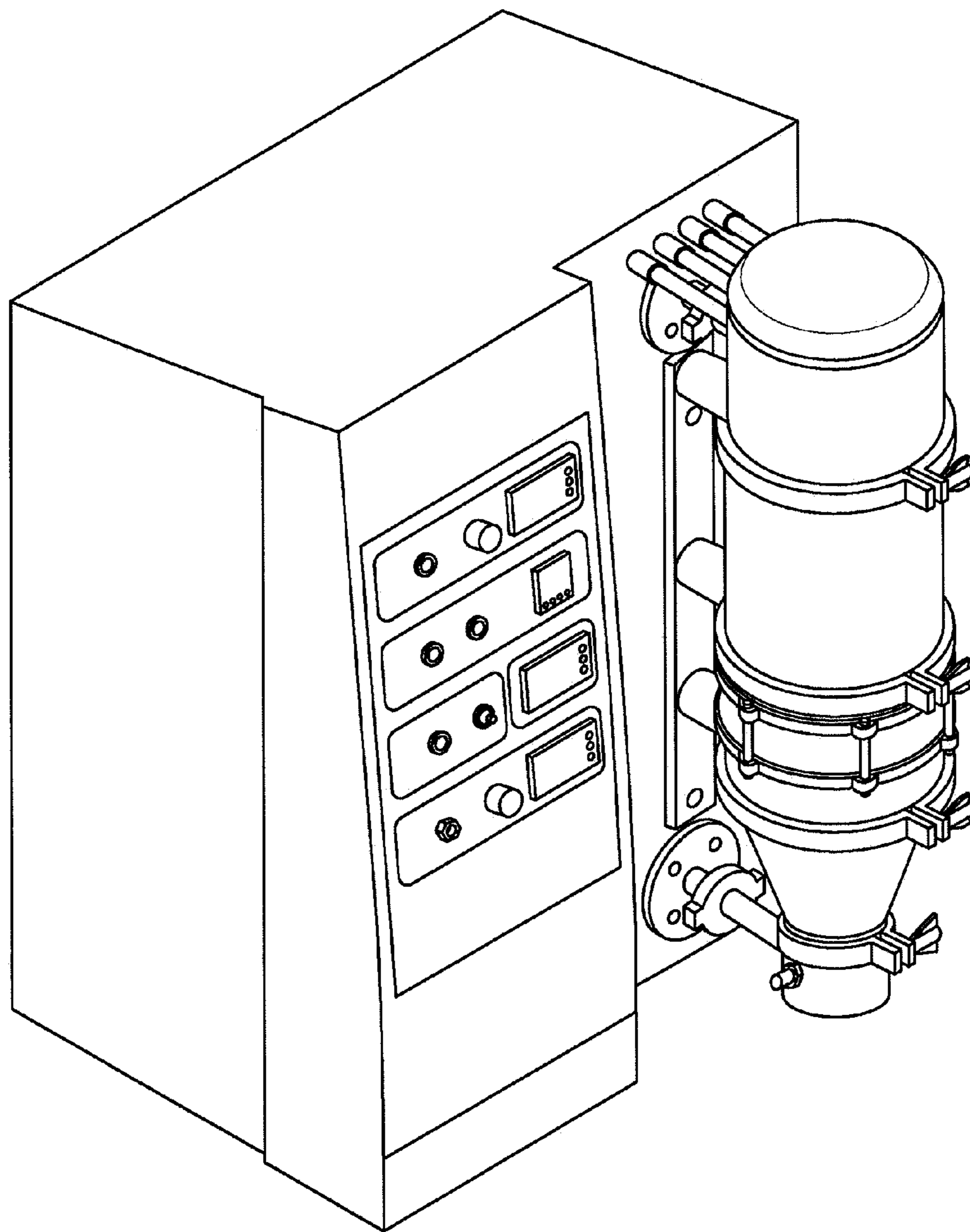


Fig. 1

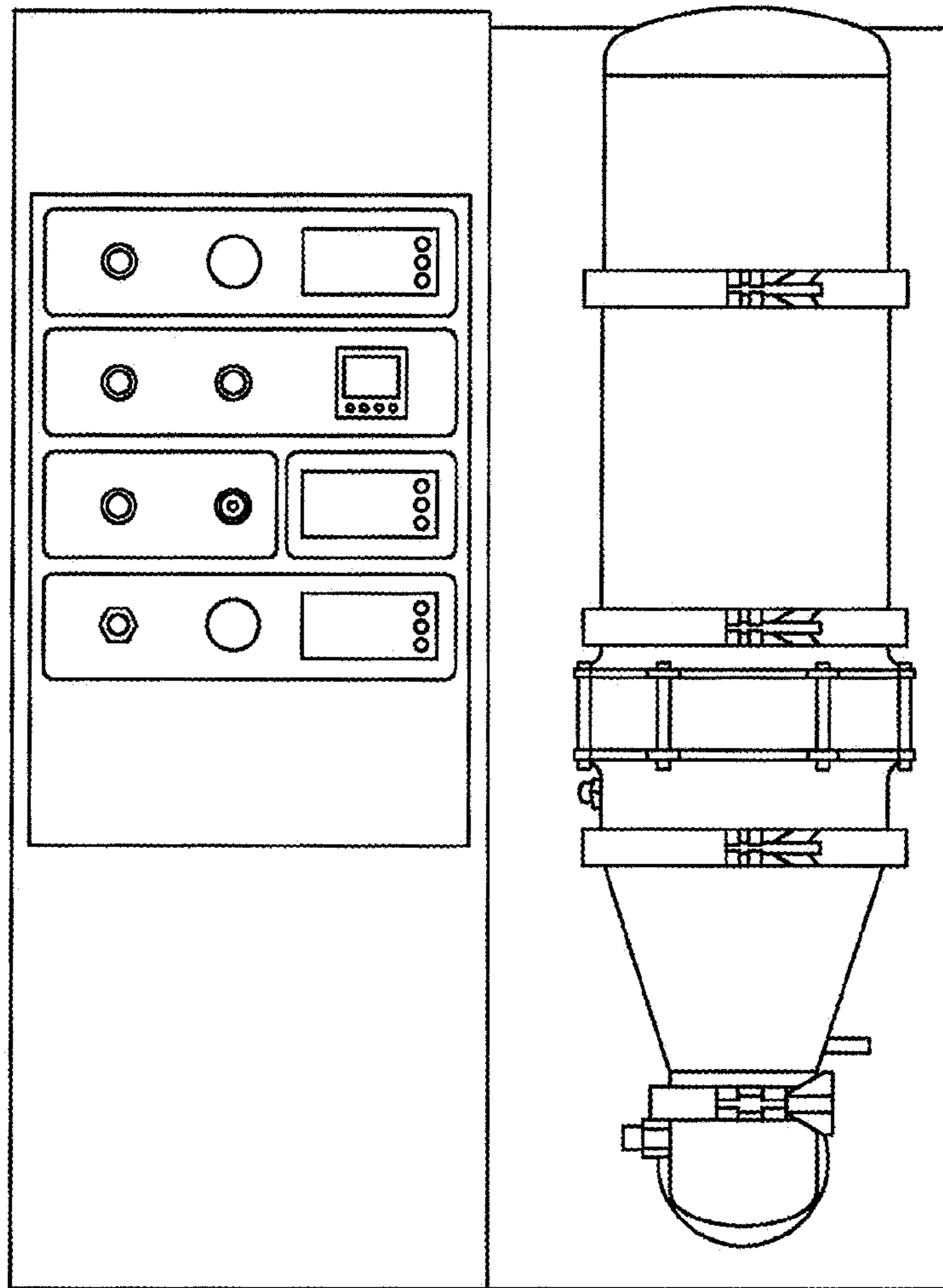


Fig. 2

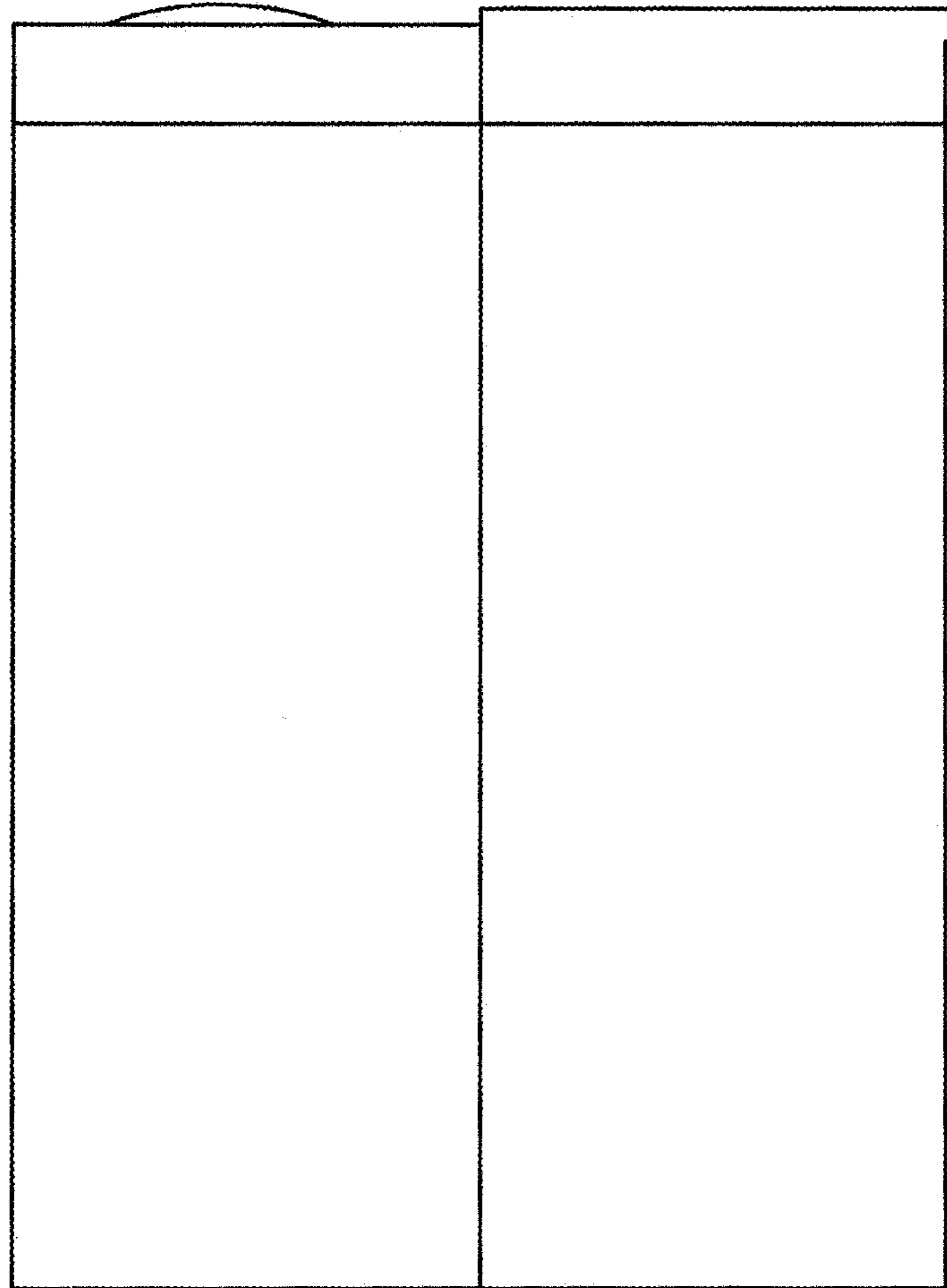


Fig. 3

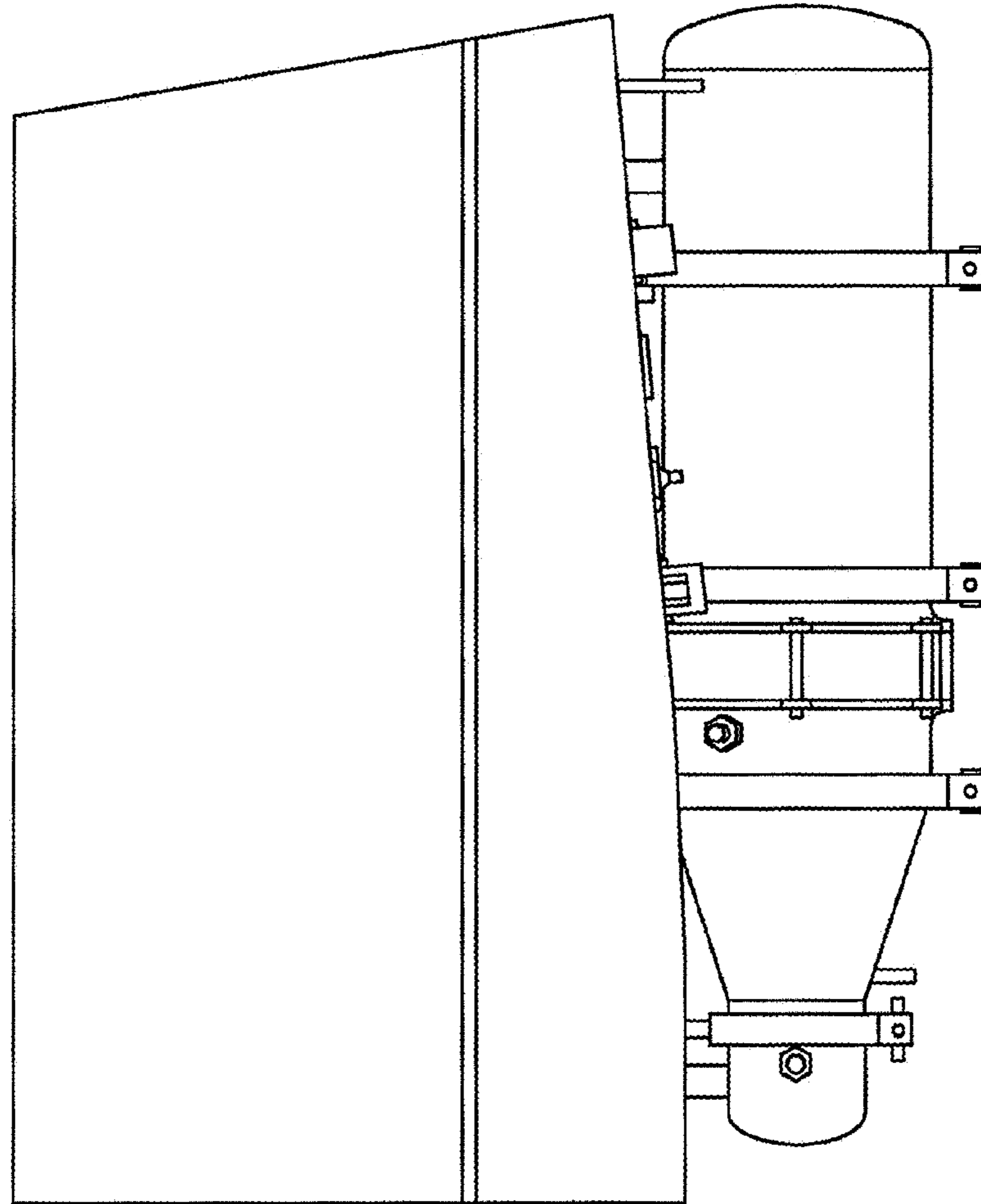


Fig. 4

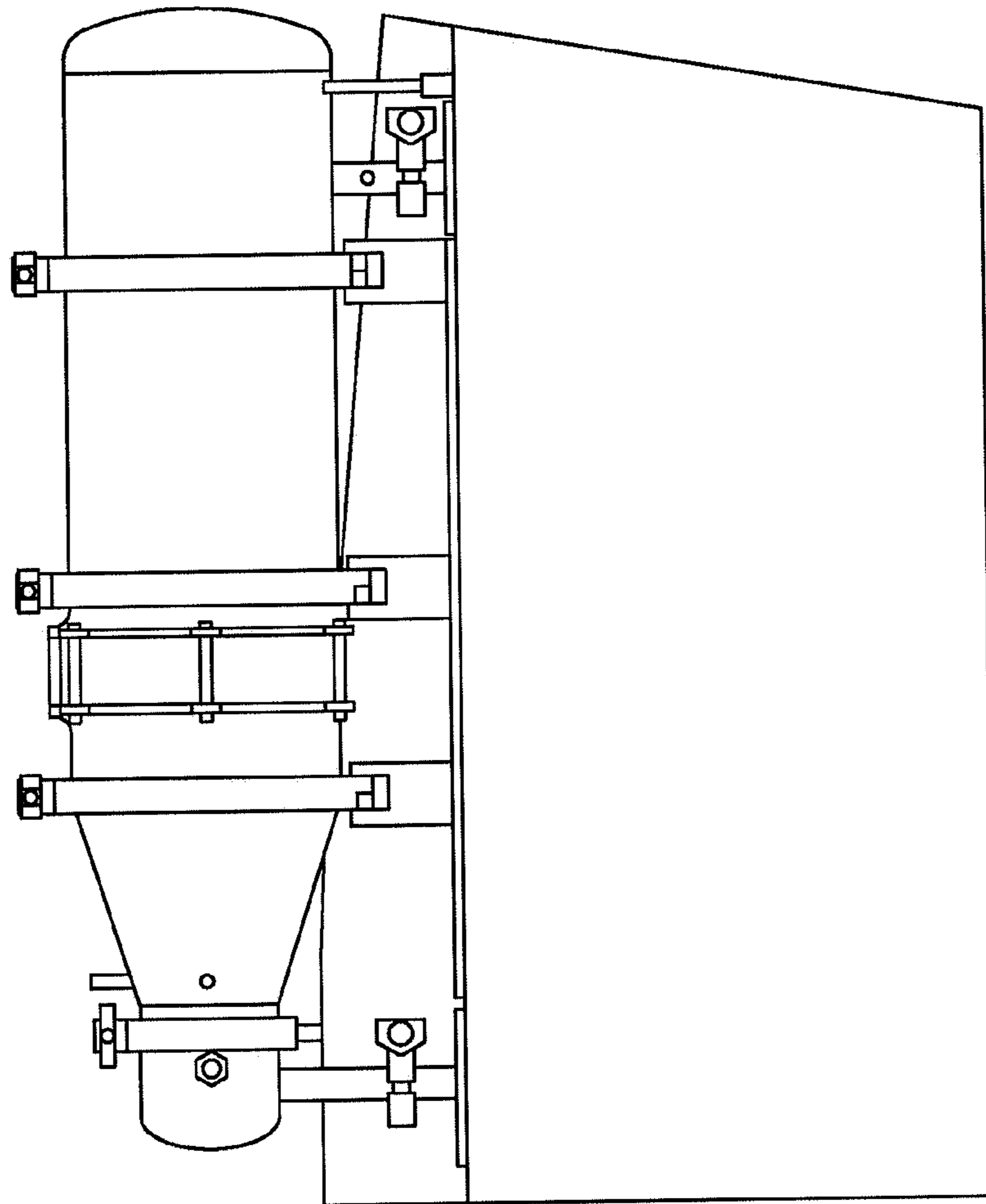


Fig. 5

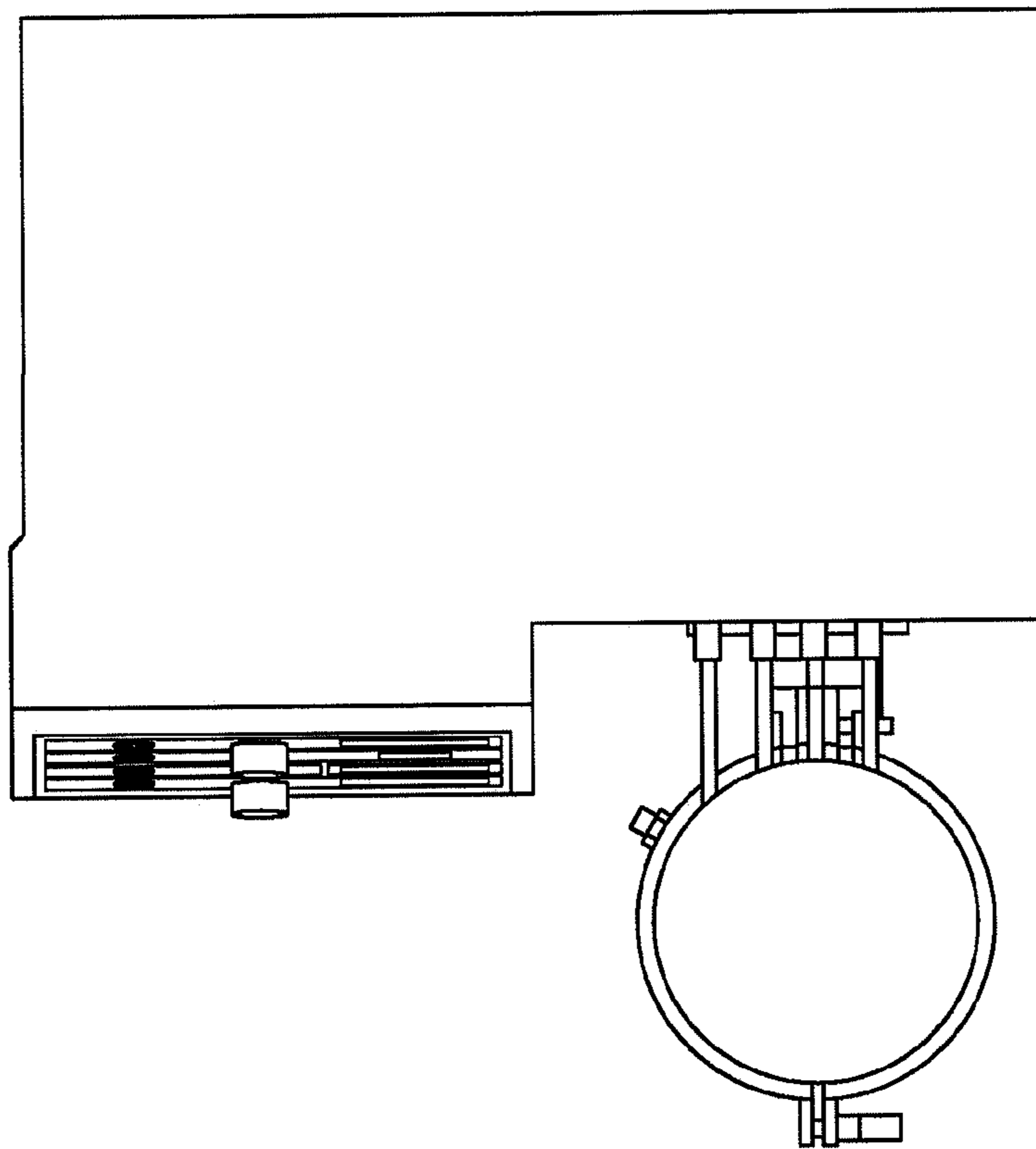


Fig. 6

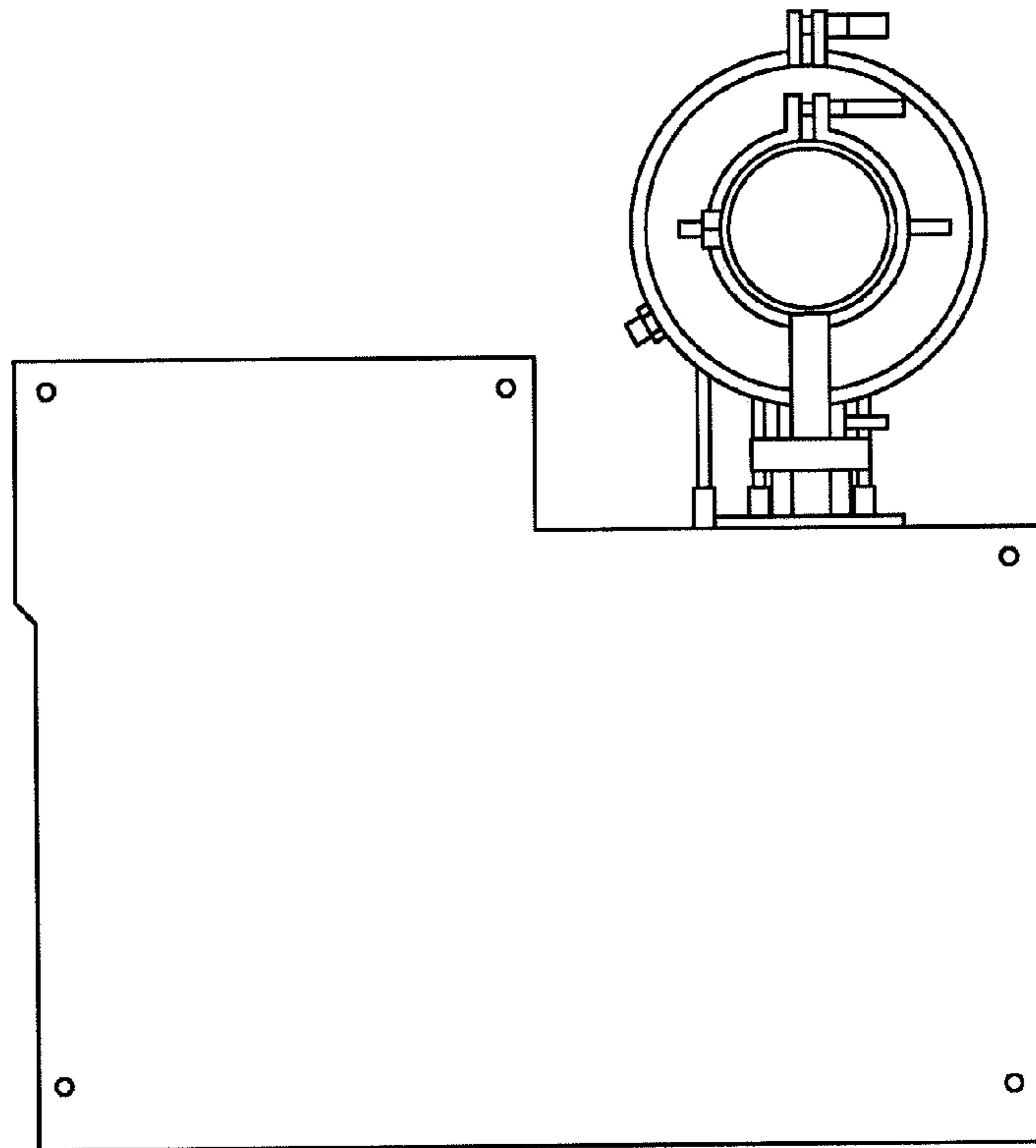


Fig. 7

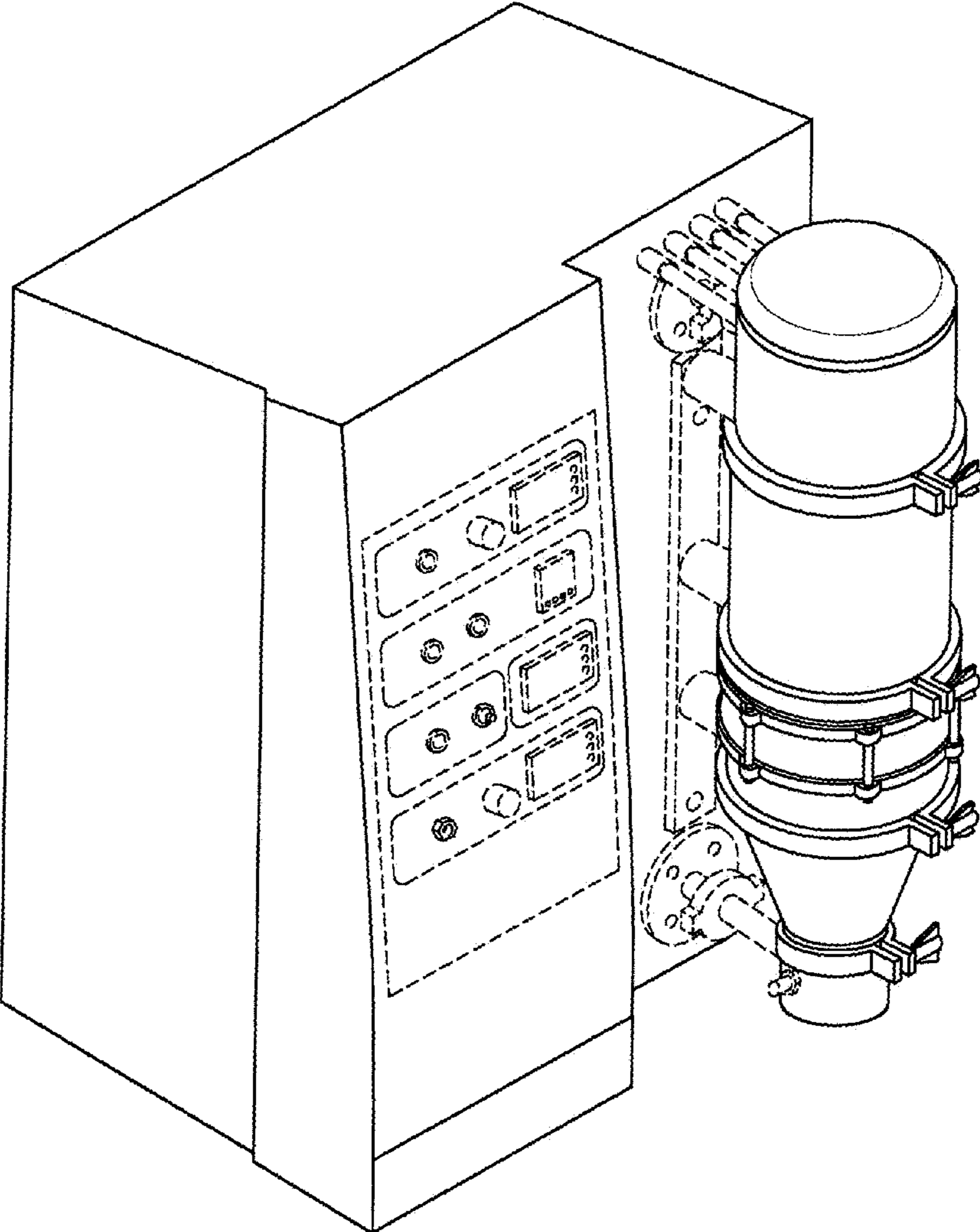


Fig. 8

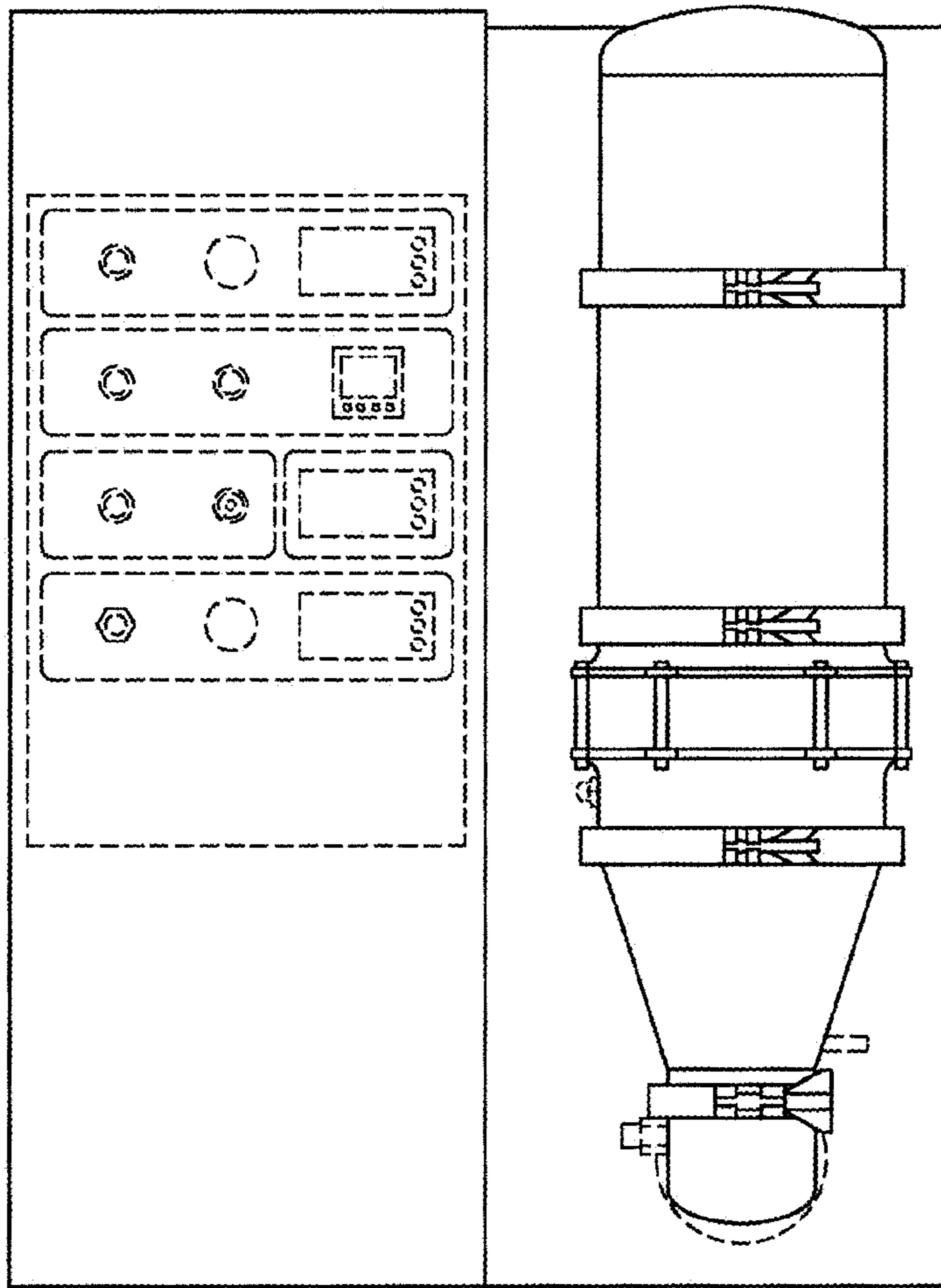


Fig. 9

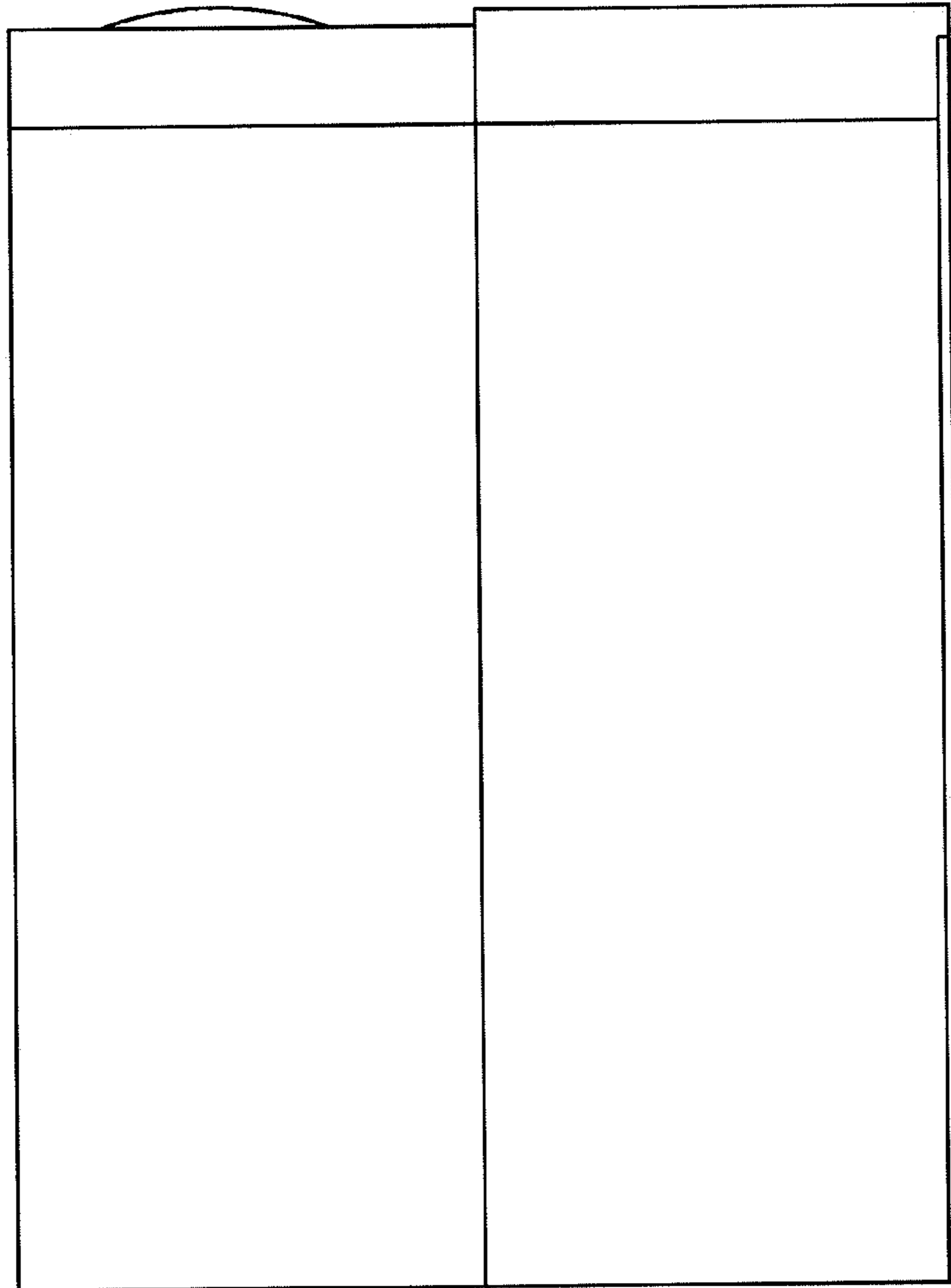


Fig. 10

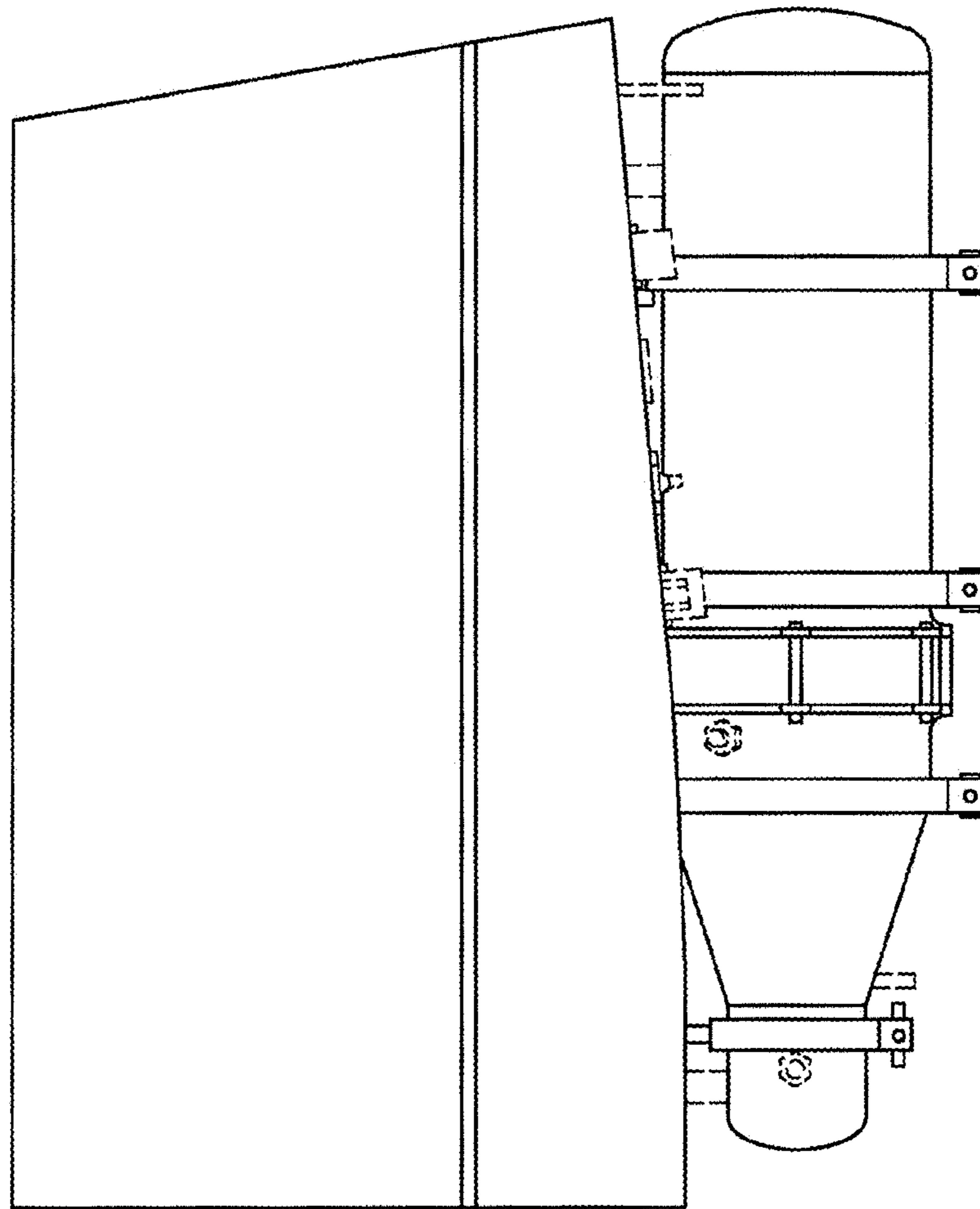


Fig. 11

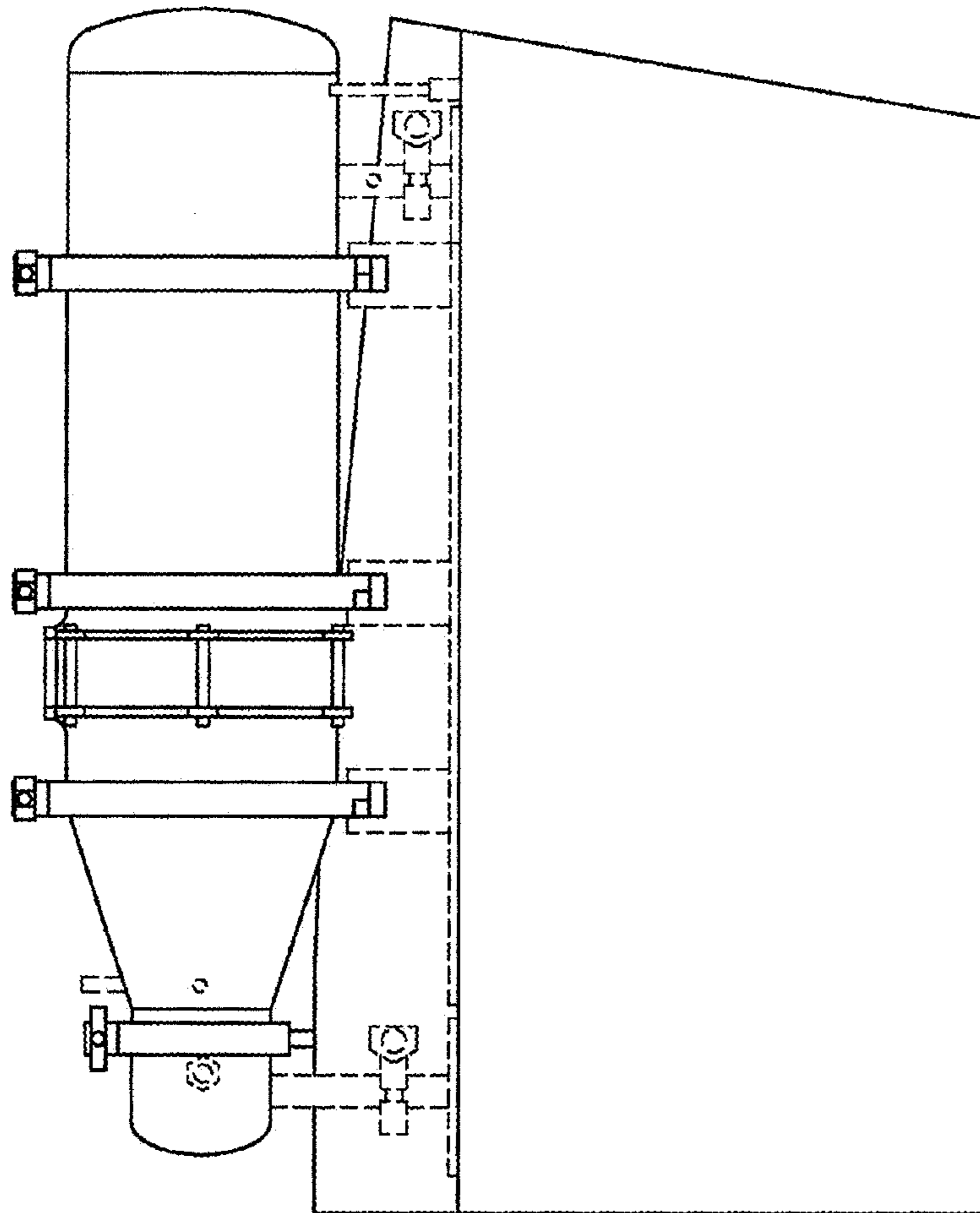


Fig. 12

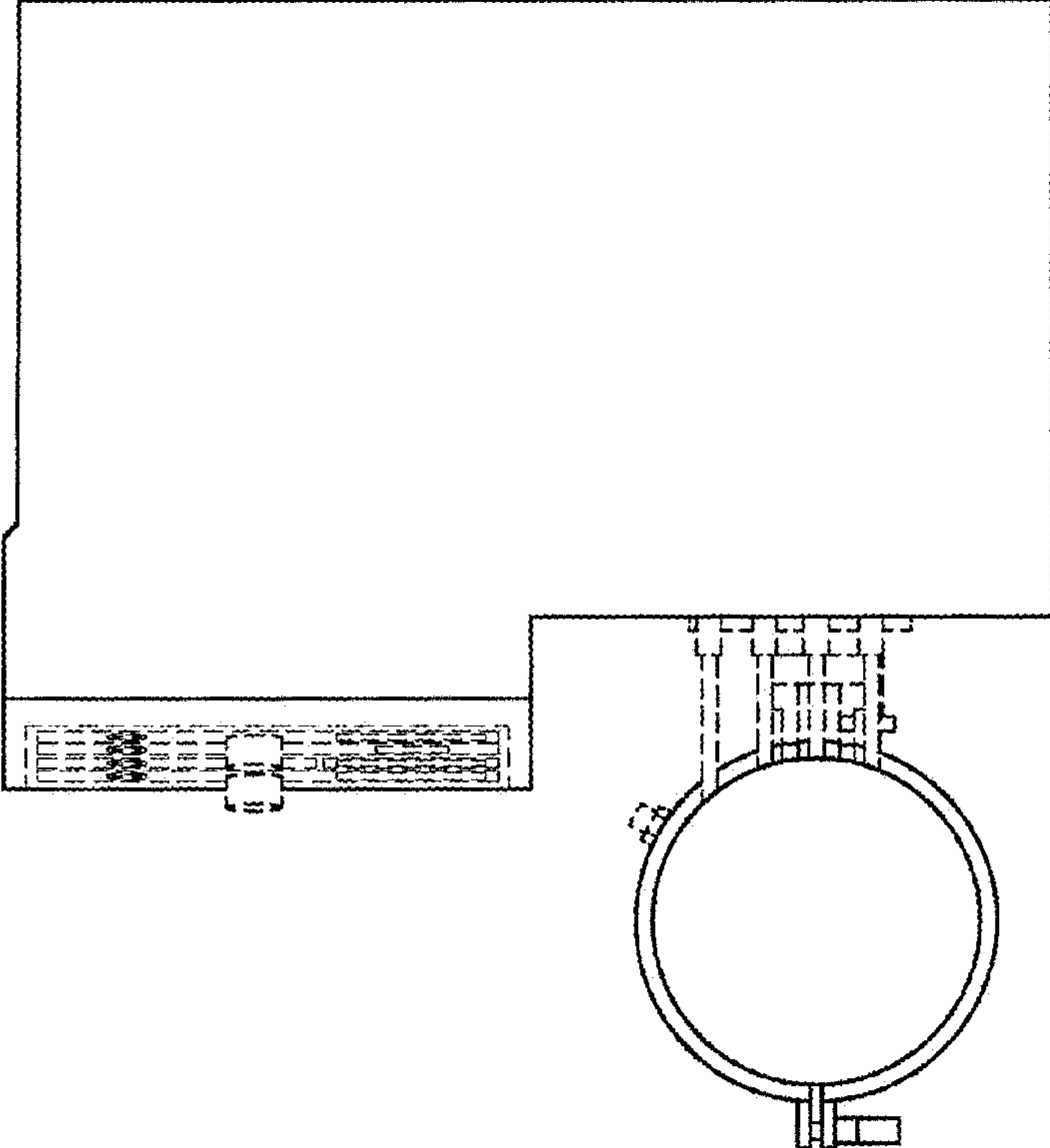


Fig. 13

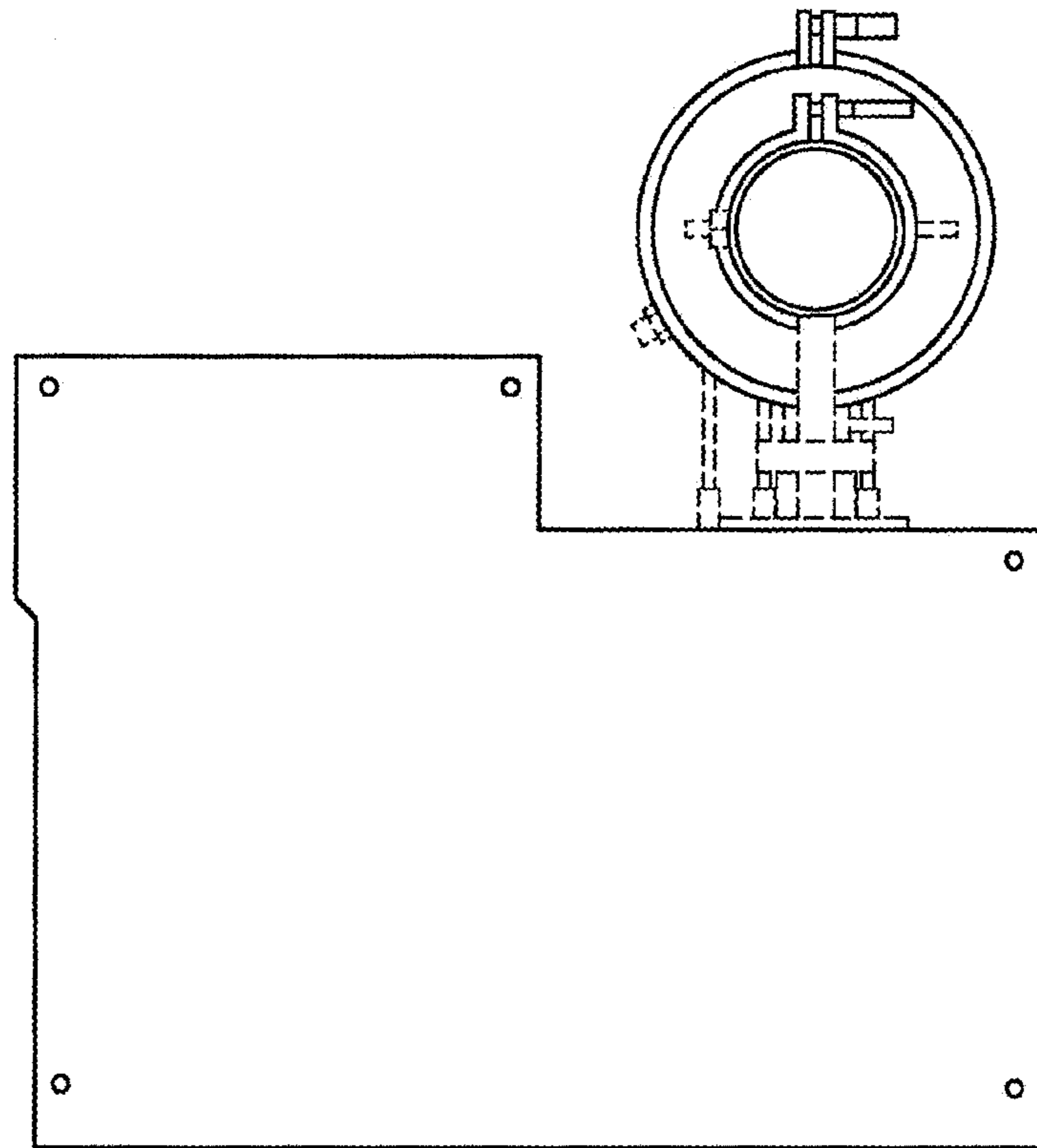


Fig. 14

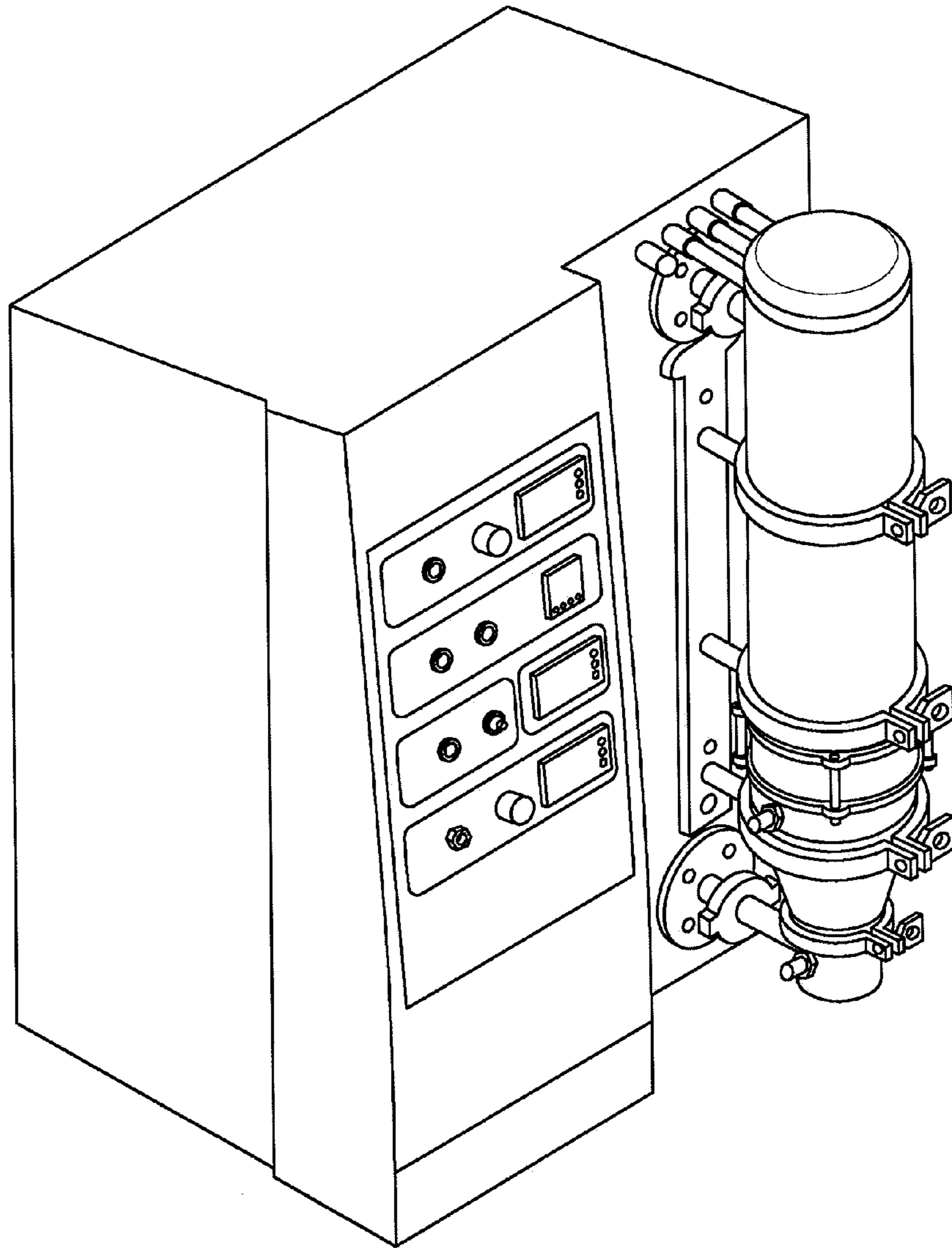


Fig. 15

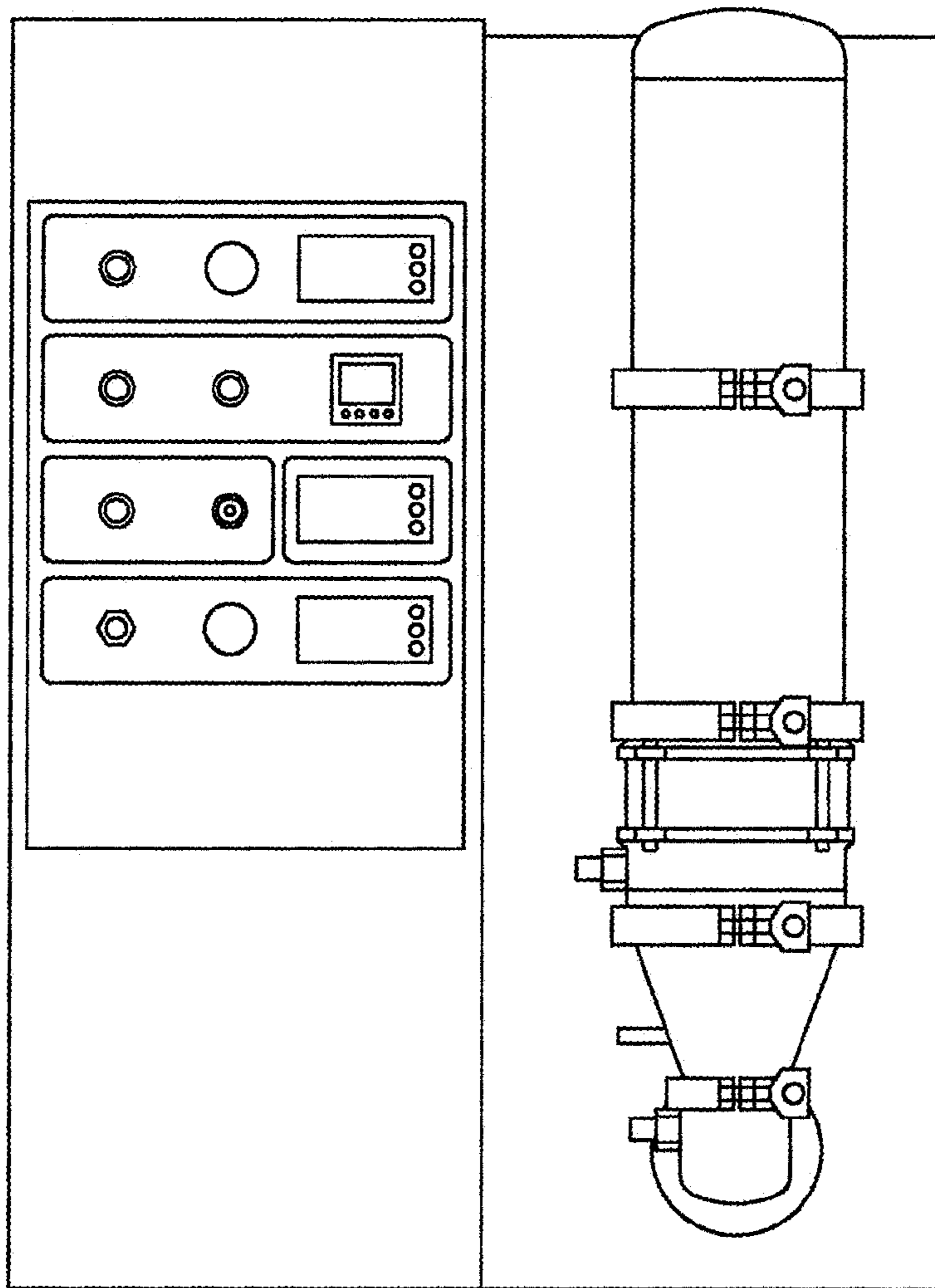


Fig. 16

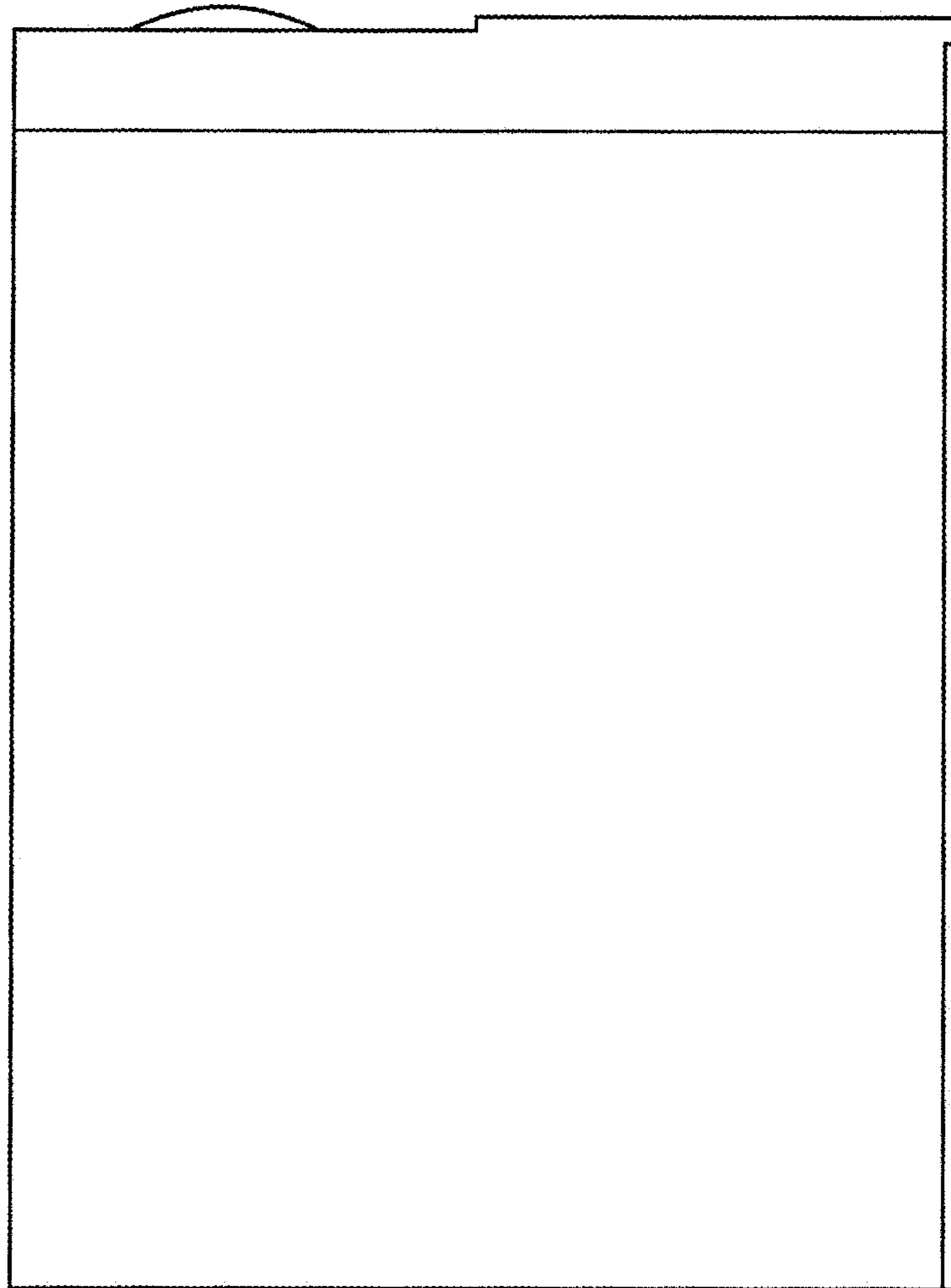


Fig. 17

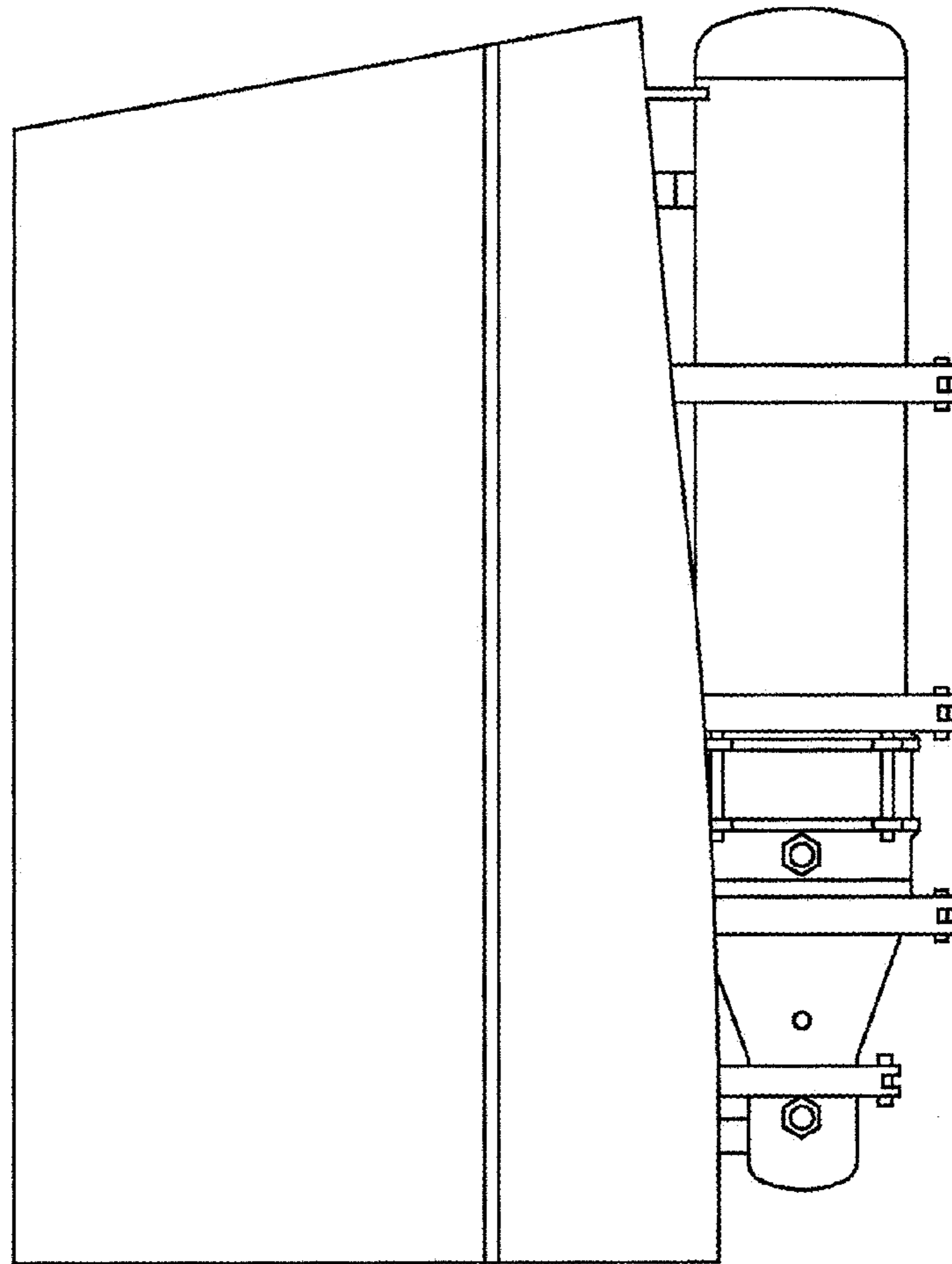


Fig. 18

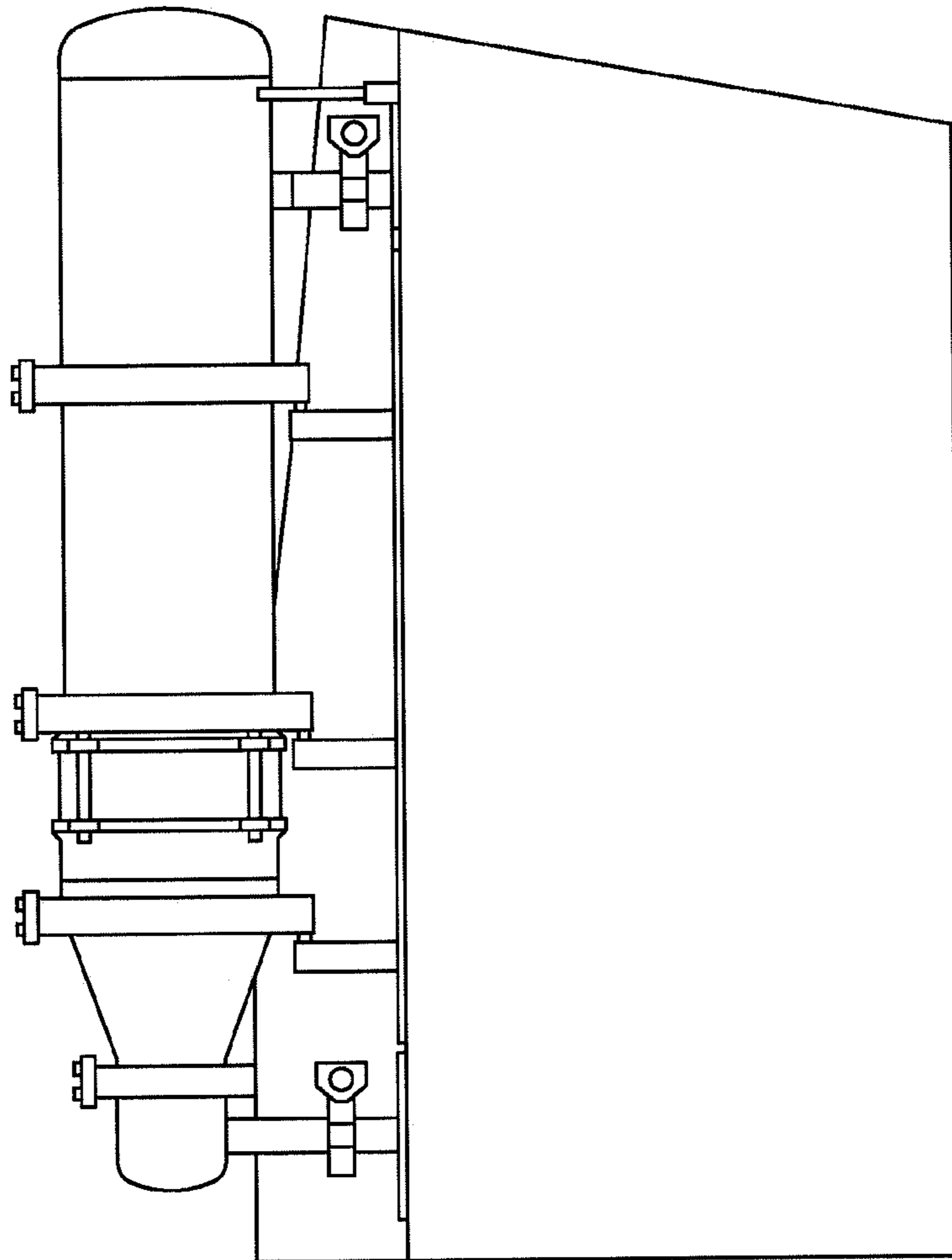


Fig.19

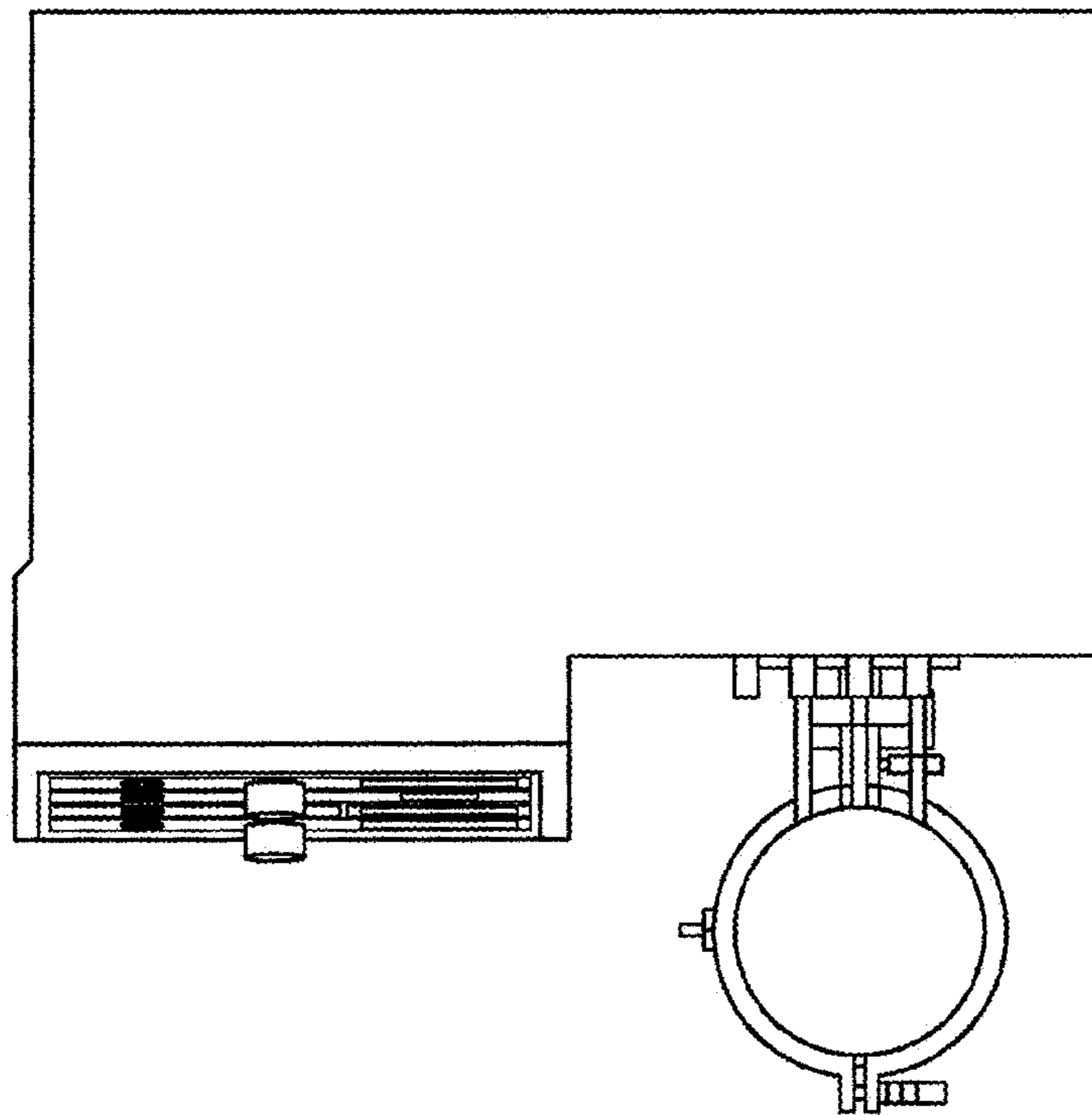


Fig. 20

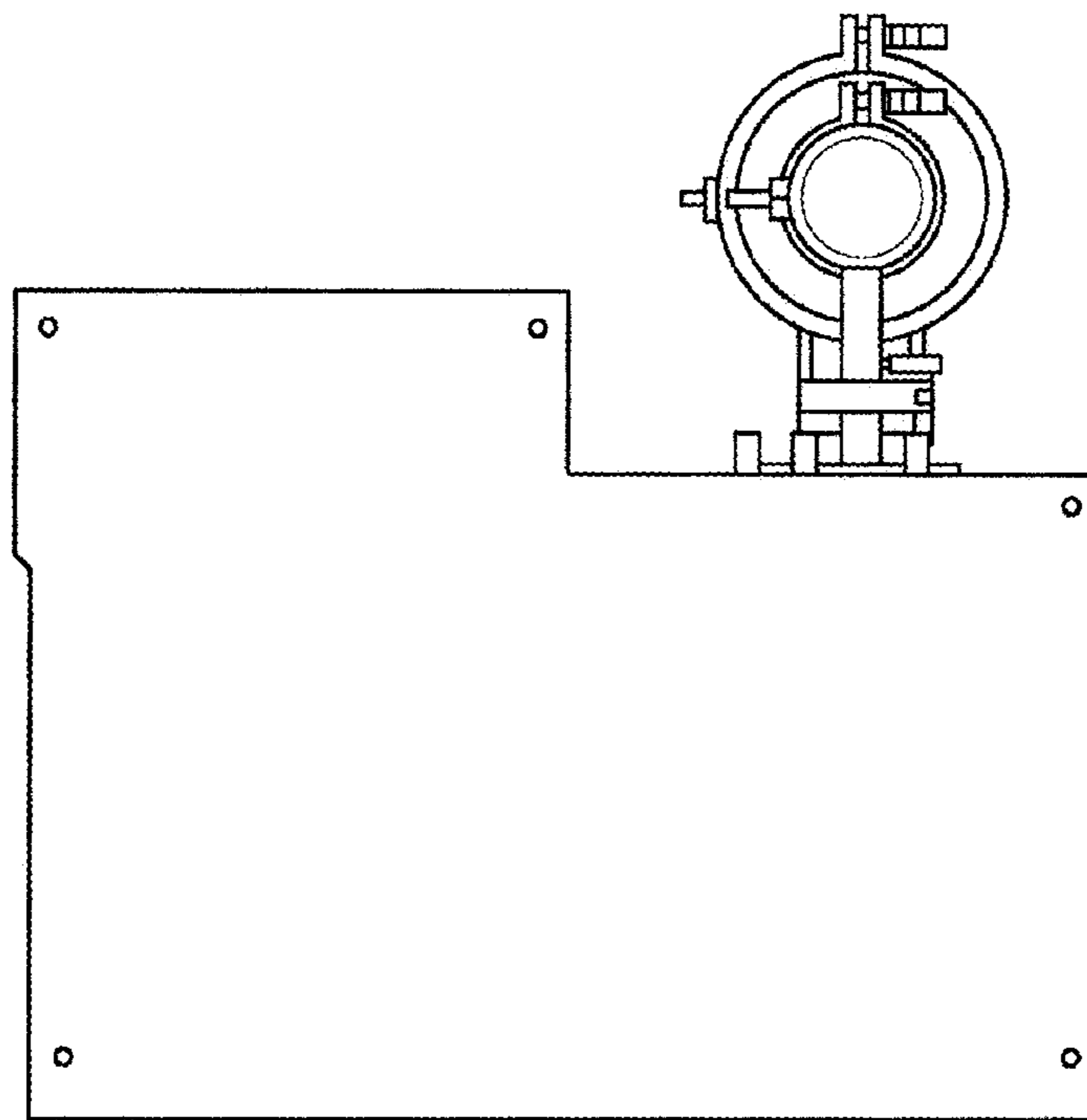


Fig. 21

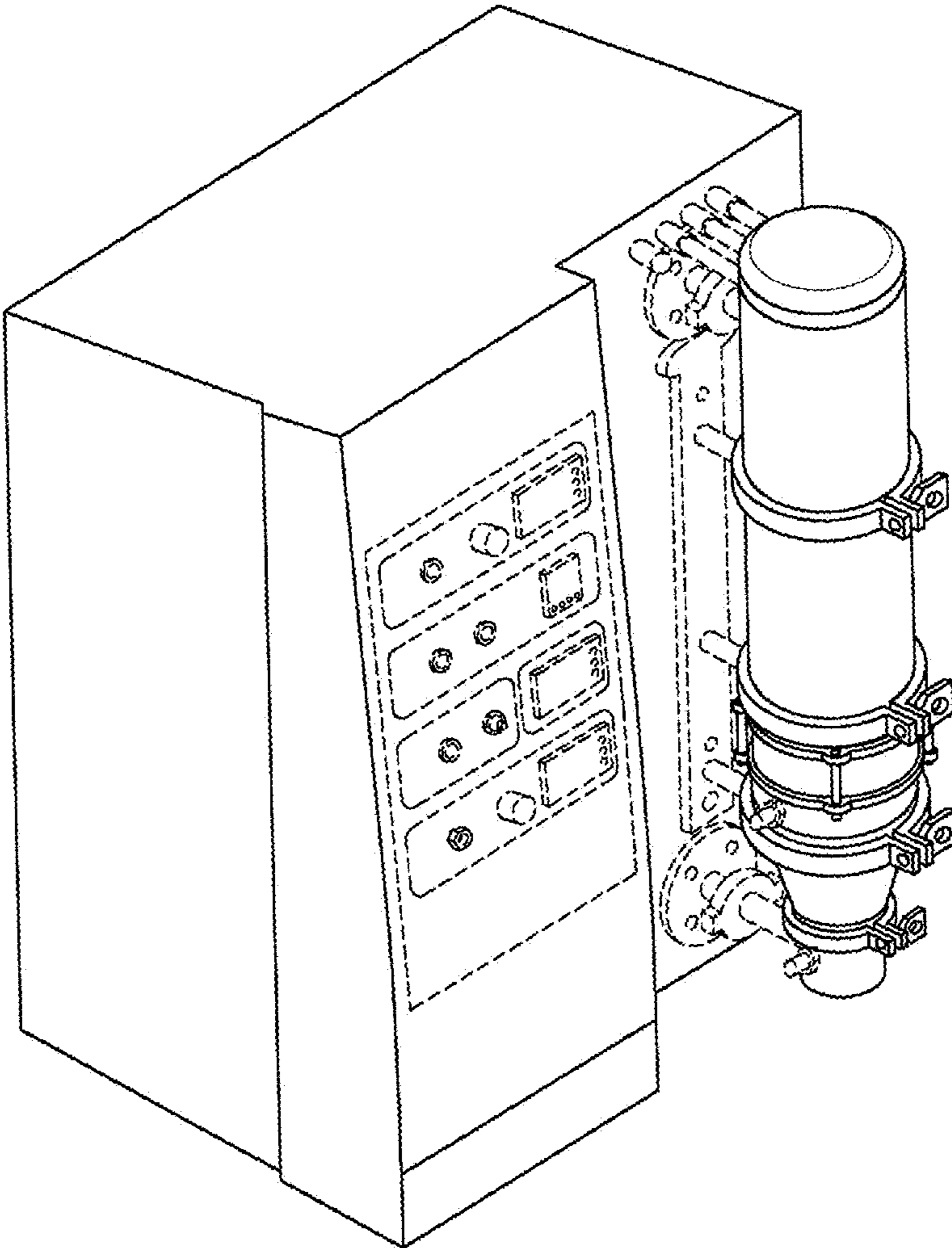


Fig. 22

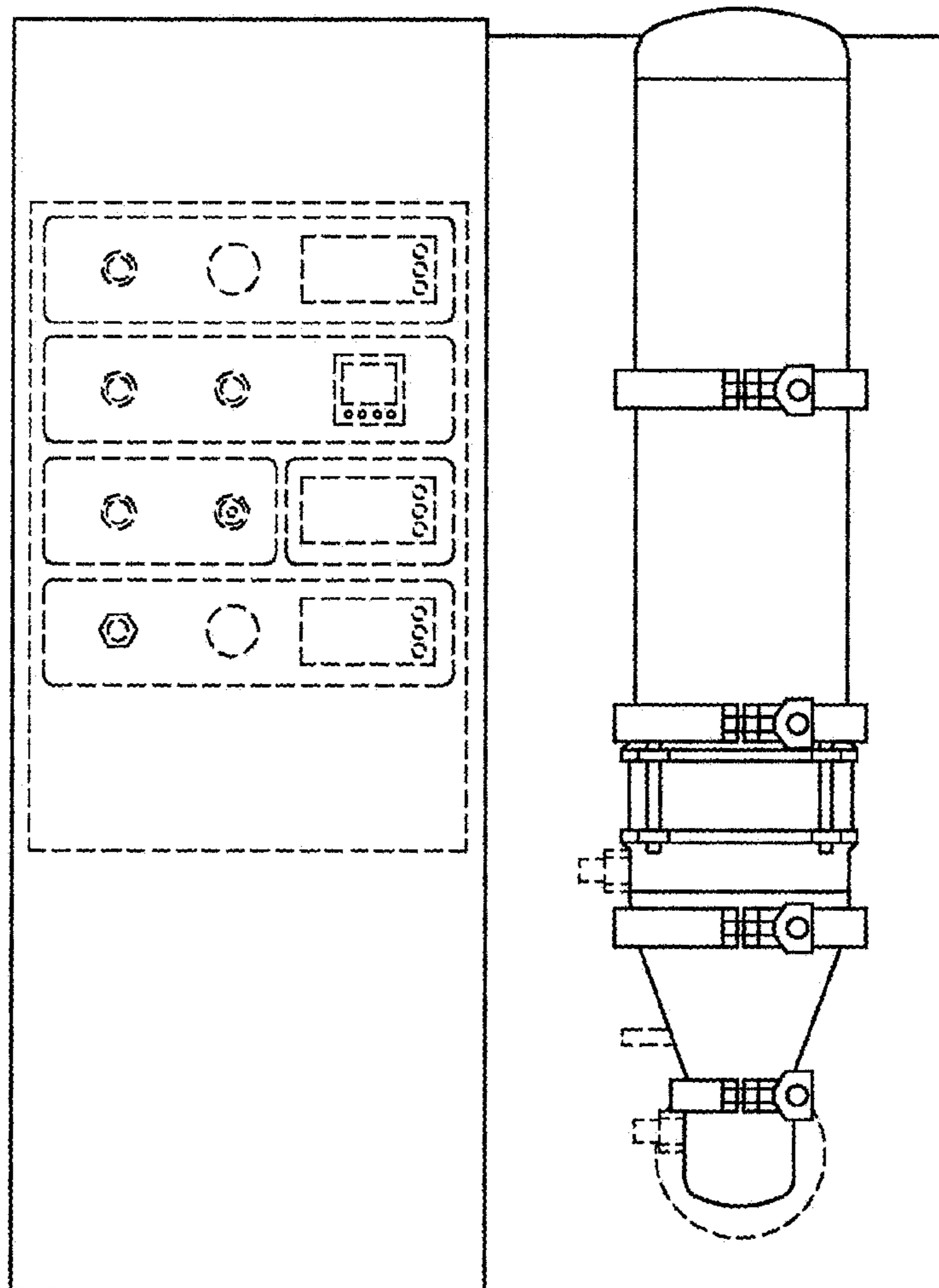


Fig. 23

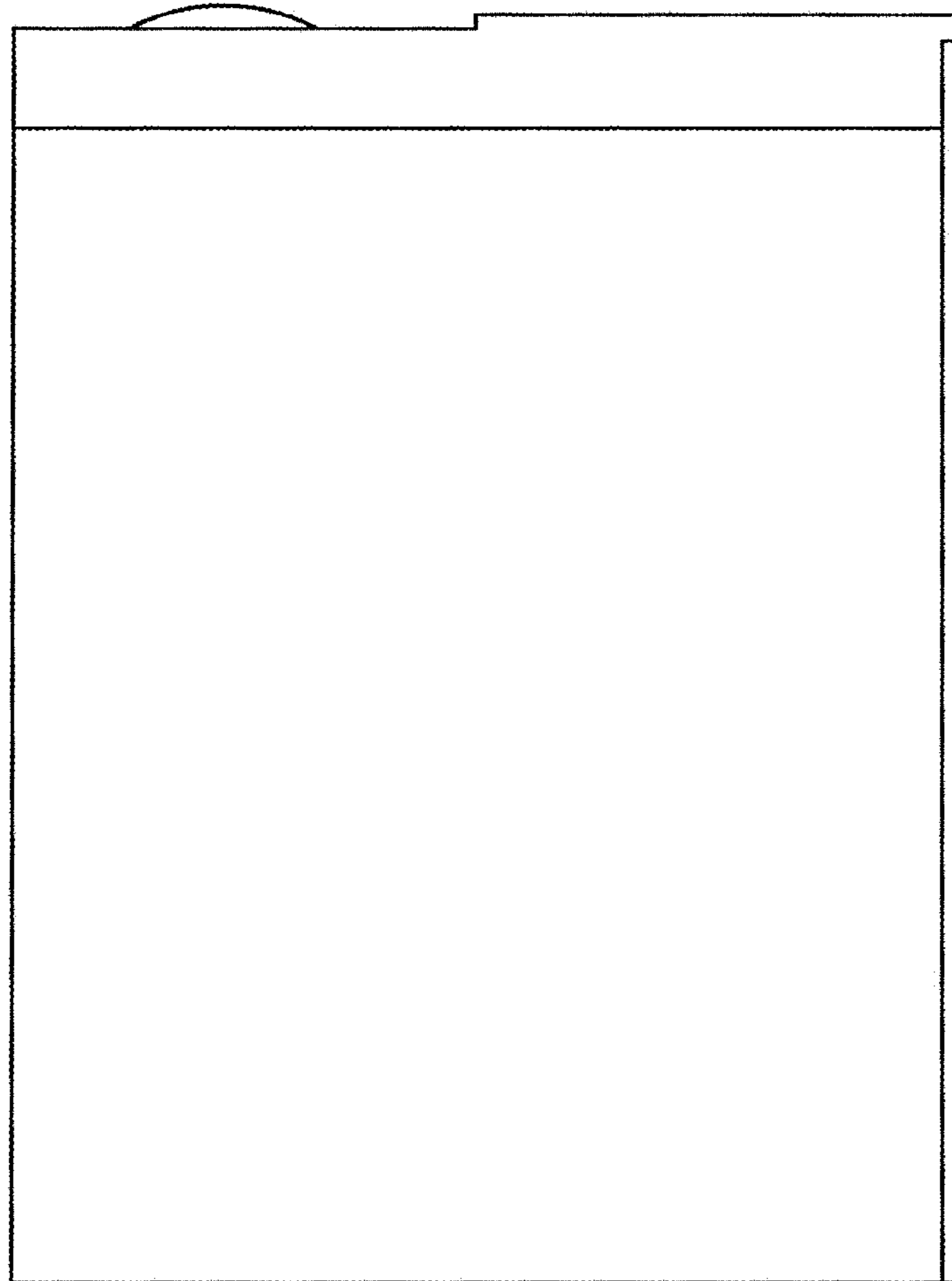


Fig. 24

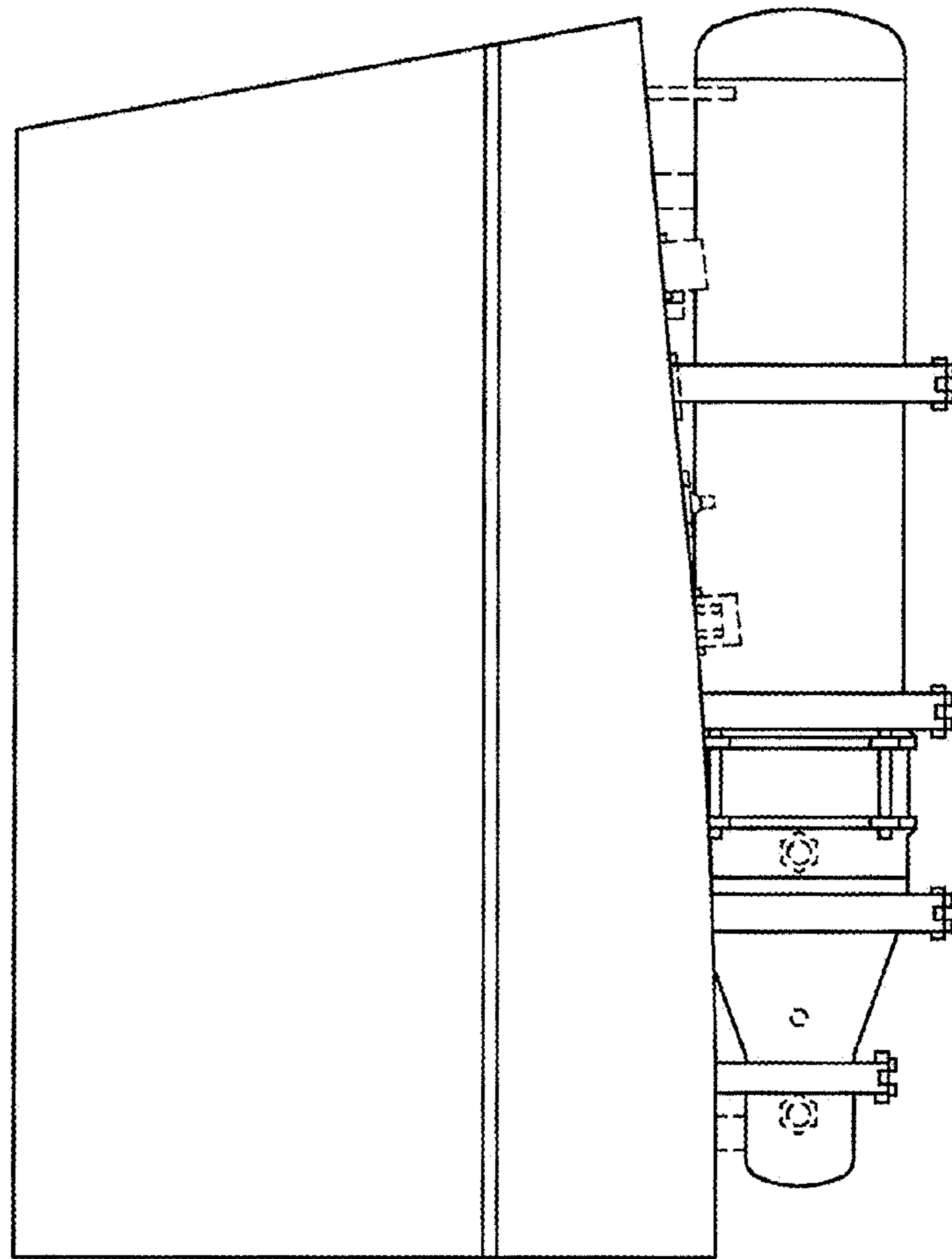


Fig. 25

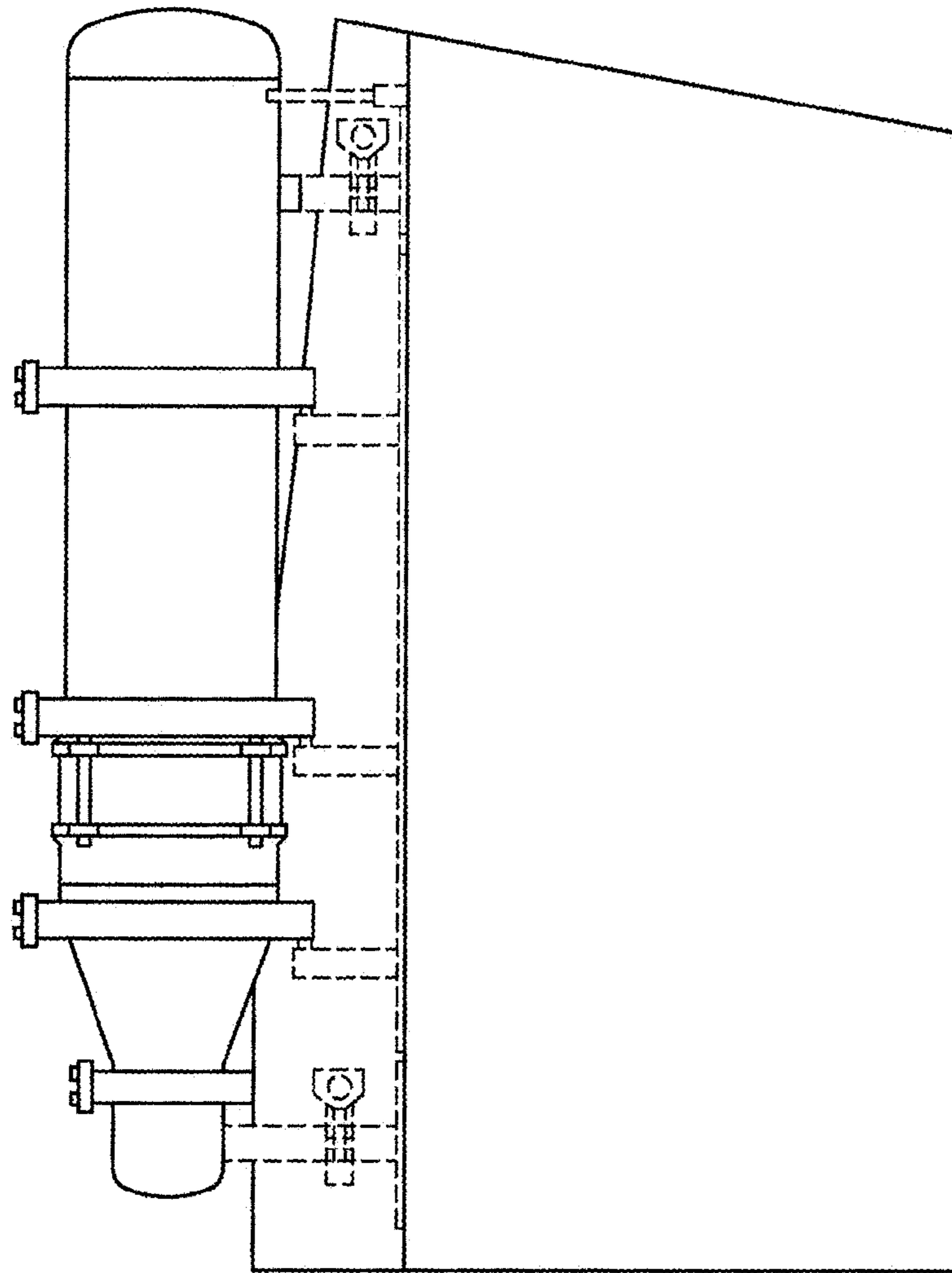


Fig. 26

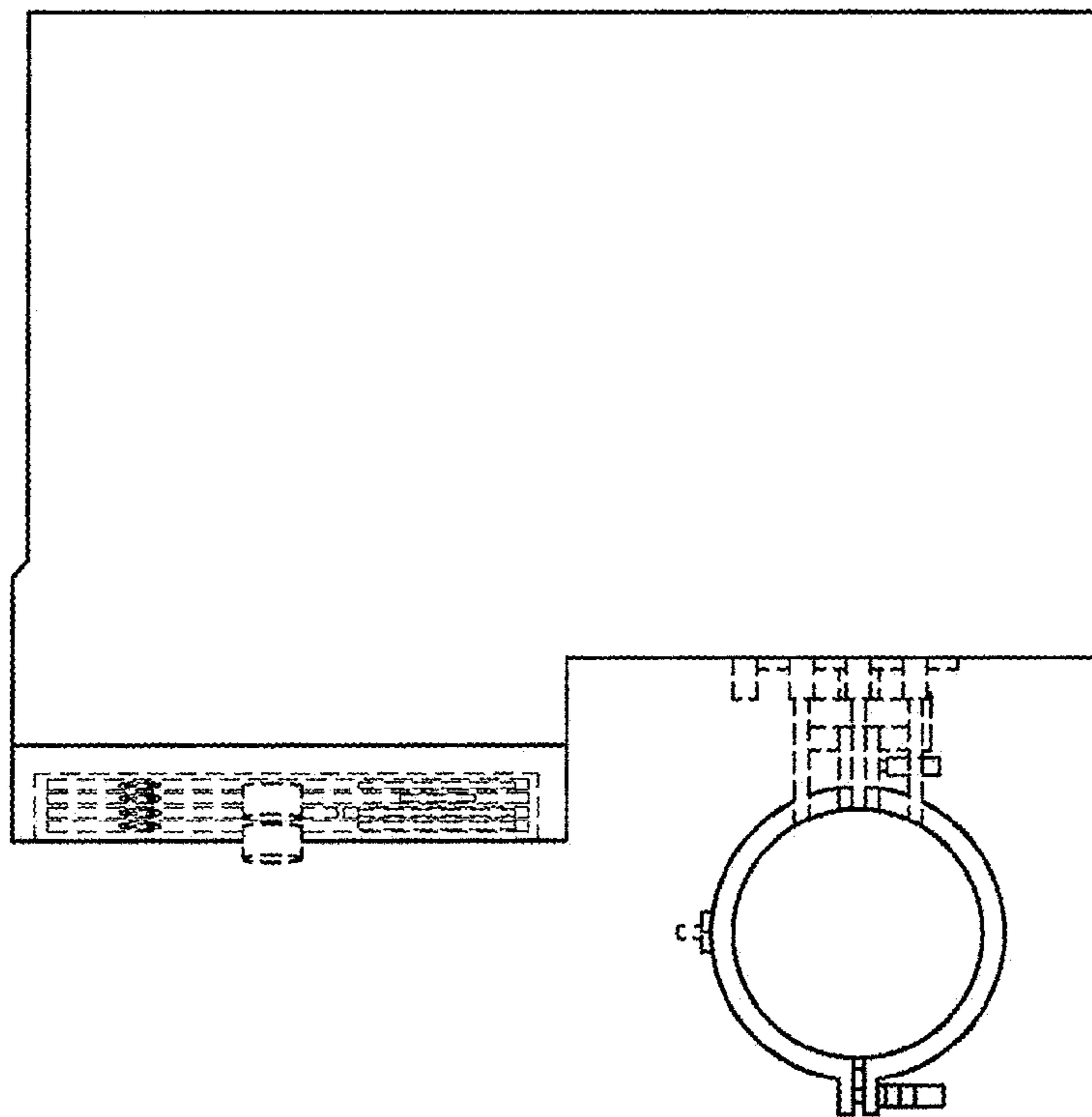


Fig. 27

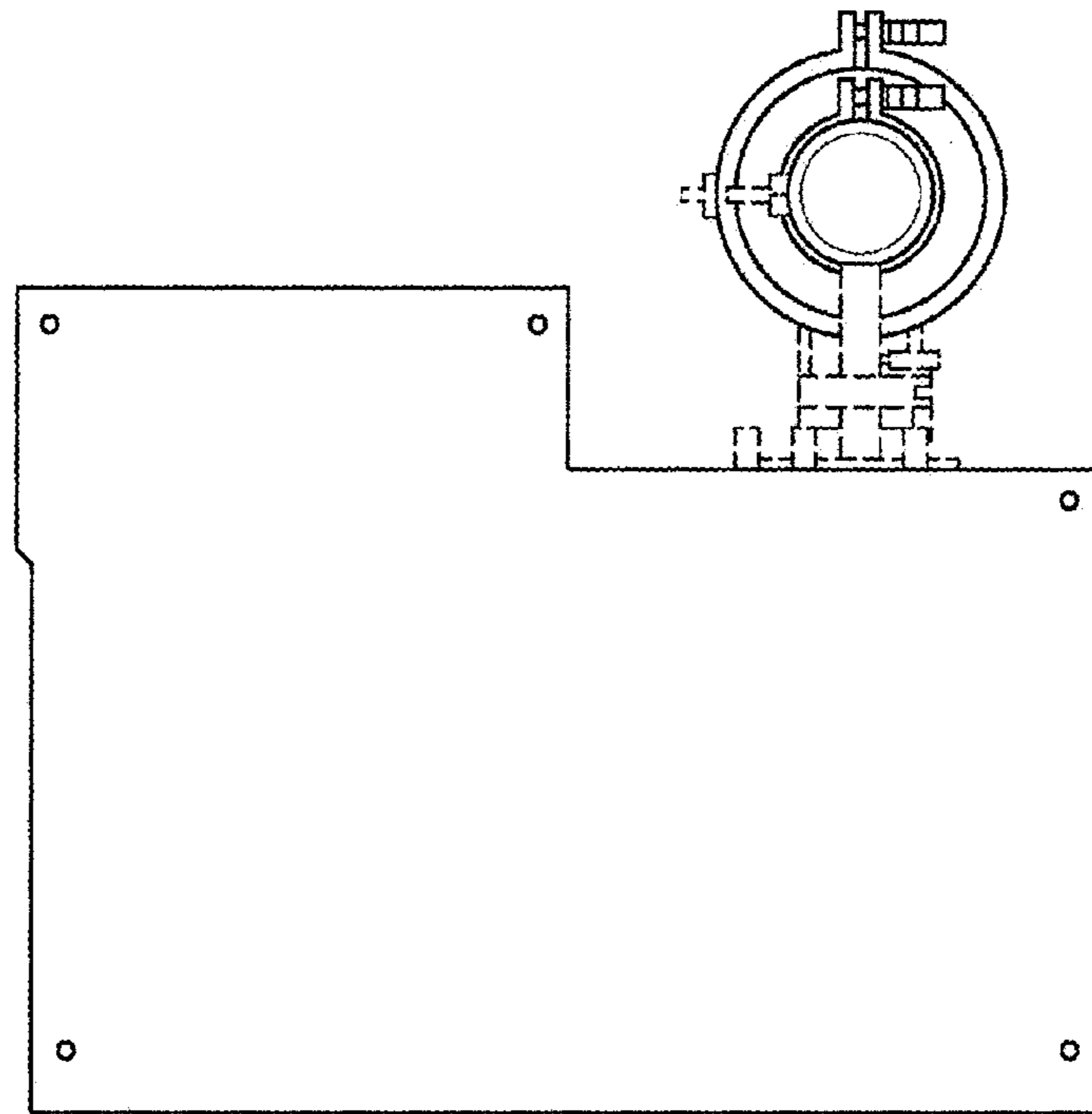


Fig. 28