



US00D721390S

(12) **United States Design Patent**  
**Walter et al.**

(10) **Patent No.:** **US D721,390 S**  
(45) **Date of Patent:** **\*\* Jan. 20, 2015**

(54) **SNAP-FIT END CAP AND HOUSING ASSEMBLY**

7,690,359 B2 \* 4/2010 Price et al. .... 123/509  
D620,499 S \* 7/2010 Sulzer et al. .... D15/7  
D700,215 S \* 2/2014 Ueda ..... D15/9

(Continued)

(71) Applicant: **Eaton Corporation**, Cleveland, OH  
(US)

FOREIGN PATENT DOCUMENTS

(72) Inventors: **Stefan Walter**, Karlsruhe (DE); **Vaughn Mills**, Chelsea, MI (US); **Daniel Lee Pifer**, Chelsea, MI (US)

EP 1967404 A1 9/2008  
GB 2493958 A 2/2013  
WO 2012161978 A1 11/2012

OTHER PUBLICATIONS

(73) Assignee: **Eaton Corporation**, Cleveland, OH  
(US)

U.S. Appl. No. 13/334,529, Liquid Trap with Integral Jet Pump, filed Dec. 22, 2011.

(\*\*) Term: **14 Years**

*Primary Examiner* — Ralf Seifert

(21) Appl. No.: **29/456,366**

(74) *Attorney, Agent, or Firm* — Quinn Law Group, PLLC.

(22) Filed: **May 30, 2013**

(57) **CLAIM**

(51) **LOC (10) CL.** ..... **15-02**

The ornamental design for a snap-fit end cap and housing assembly, as shown and described.

(52) **U.S. CL.**

**DESCRIPTION**

USPC ..... **D15/7**

(58) **Field of Classification Search**

CPC ..... F02M 37/04; F02M 37/14  
USPC ..... D15/7-9; D23/231, 232, 225; 417/60,  
417/235, 265, 321, 355, 358, 363, 359,  
417/410.1, 415-416, 405, 900; 60/408,  
60/412; 184/26-37; 415/140-147;  
123/495, 509; 137/565.34

See application file for complete search history.

FIG. 1 is a perspective view of a snap-fit end cap and housing assembly in accordance with the present teachings.

FIG. 2 is another perspective view of the snap-fit end cap and housing assembly of FIG. 1, with the snap-fit end cap and housing assembly inverted relative to FIG. 1.

FIG. 3 is a front view of the snap-fit end cap and housing assembly of FIG. 1.

FIG. 4 is a back view of the snap-fit end cap and housing assembly of FIG. 1.

FIG. 5 is a side view of the snap-fit end cap and housing assembly of FIG. 1.

FIG. 6 is an opposite side view of the snap-fit end cap and housing assembly of FIG. 1.

FIG. 7 is top view of the snap-fit end cap and housing assembly of FIG. 1; and,

FIG. 8 is a bottom view of the snap-fit end cap and housing assembly of FIG. 1.

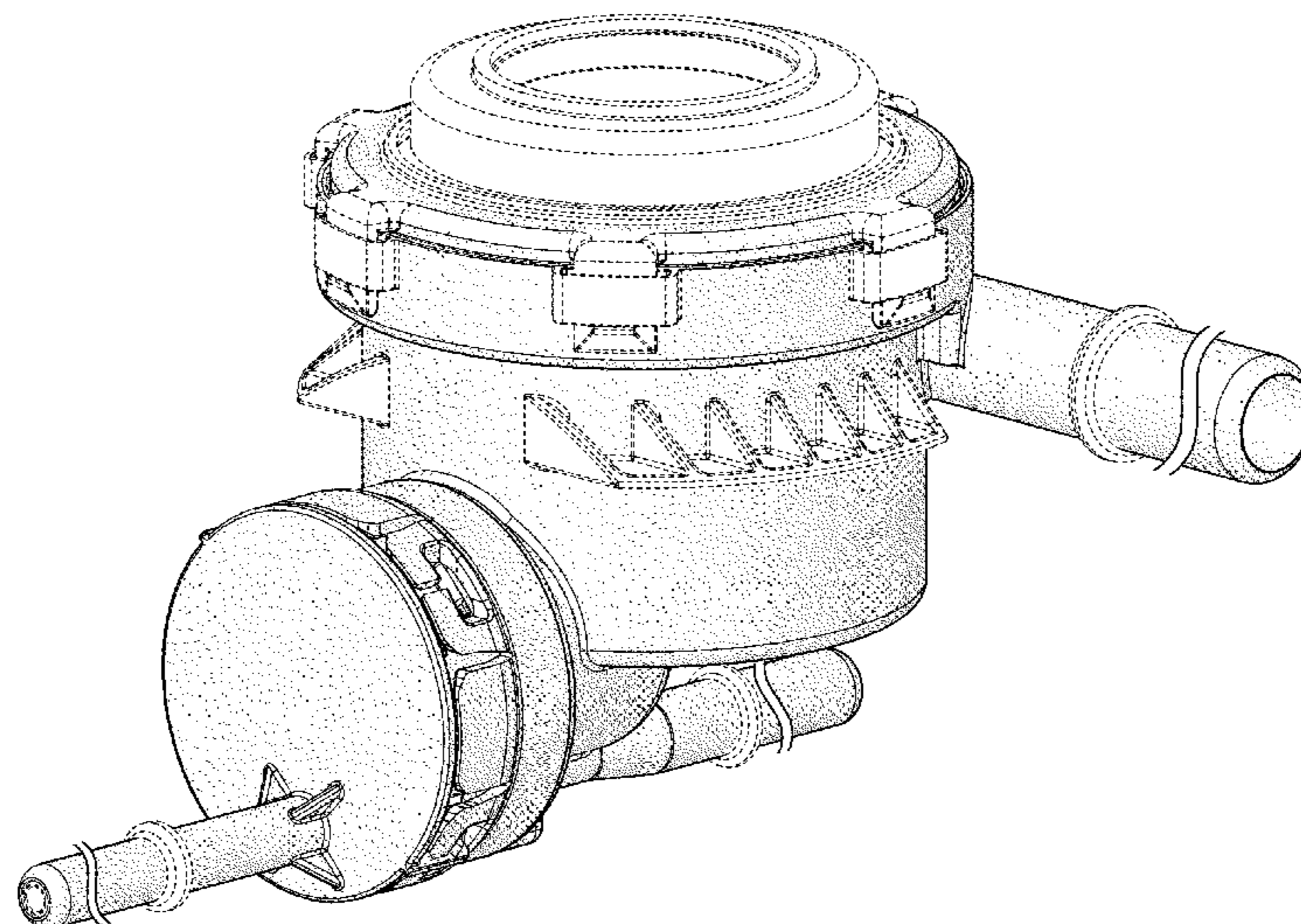
The broken line showing portions of the snap-fit end cap and housing assembly form no part of the claimed design.

(56) **References Cited**

U.S. PATENT DOCUMENTS

4,505,646 A 3/1985 Long et al.  
5,458,467 A 10/1995 Yuhasz  
D490,442 S \* 5/2004 Kuboshima et al. .... D15/7  
7,341,046 B2 \* 3/2008 Leymarie et al. .... 123/509  
7,383,856 B2 6/2008 Martis et al.  
D592,681 S \* 5/2009 Hamagishi et al. .... D15/7  
D604,331 S \* 11/2009 Tokunaga et al. .... D15/7  
D604,332 S \* 11/2009 Tokunaga et al. .... D15/7

**1 Claim, 8 Drawing Sheets**



(56)

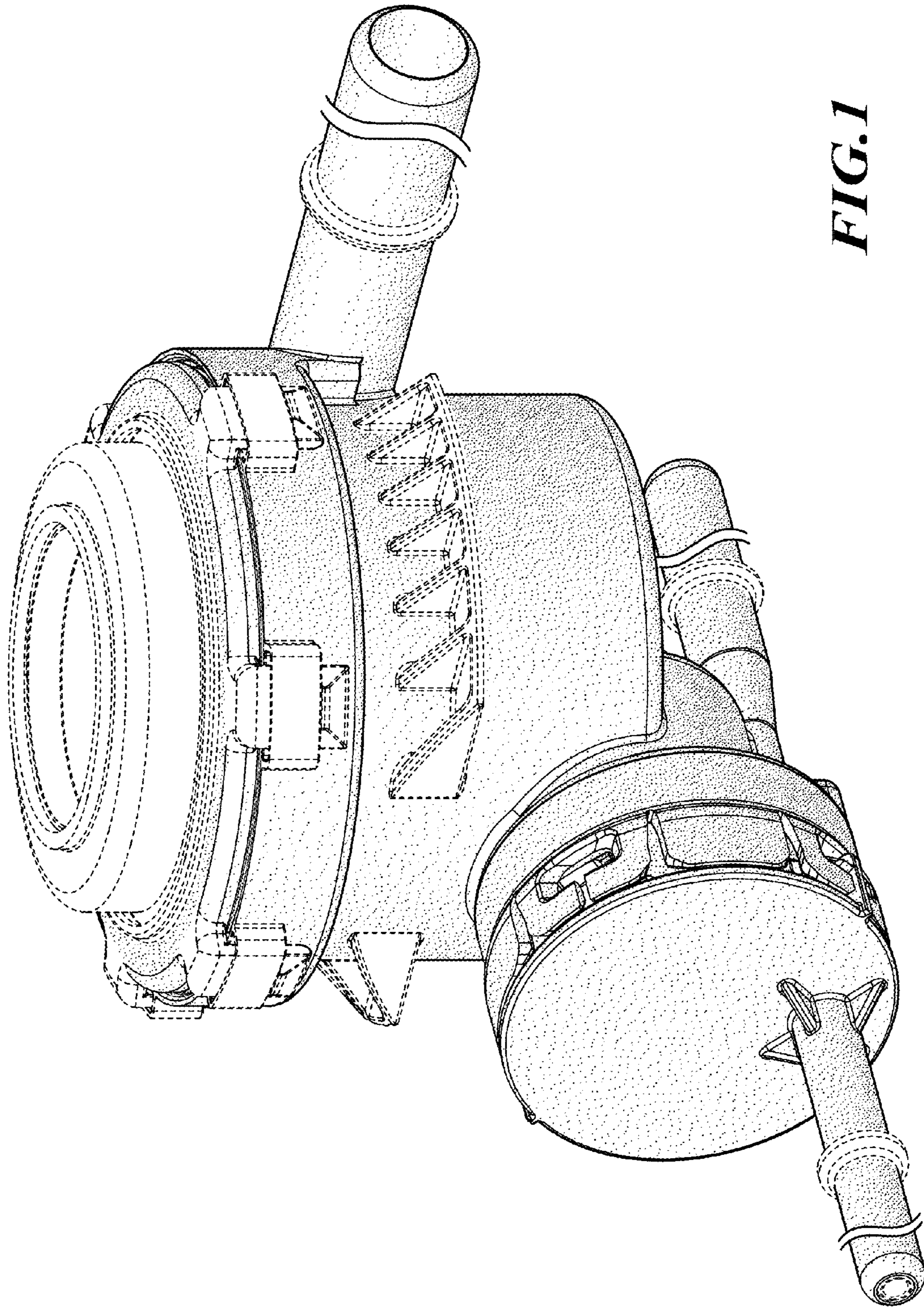
**References Cited**

U.S. PATENT DOCUMENTS

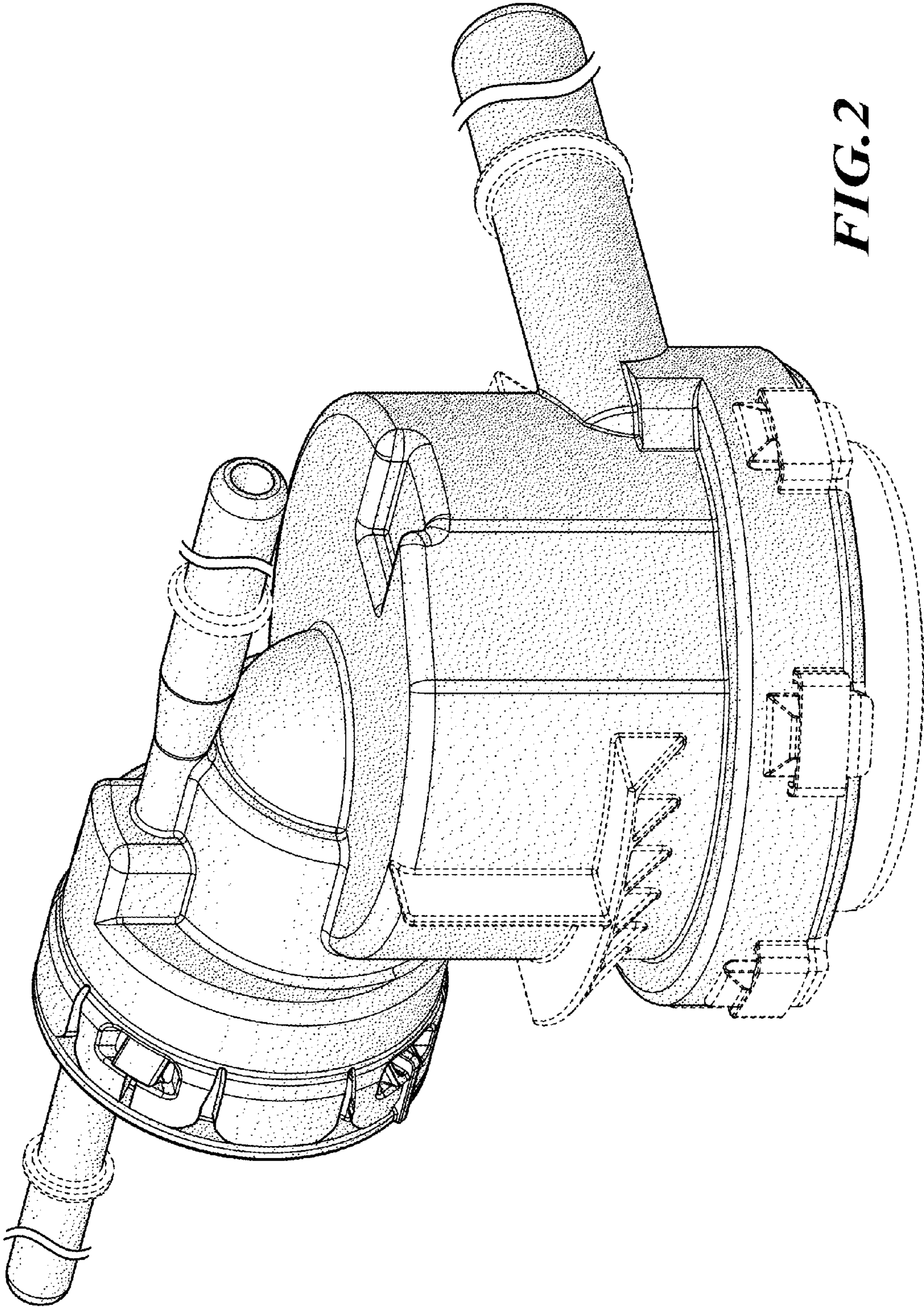
D700,216 S \* 2/2014 Ueda ..... D15/9  
D701,537 S \* 3/2014 Ueda et al. .... D15/9  
2002/0017281 A1 2/2002 Crary et al.

2003/0188786 A1 10/2003 Toki et al.  
2005/0126633 A1 6/2005 Leonhardt  
2011/0272412 A1 11/2011 Pozgainer et al.

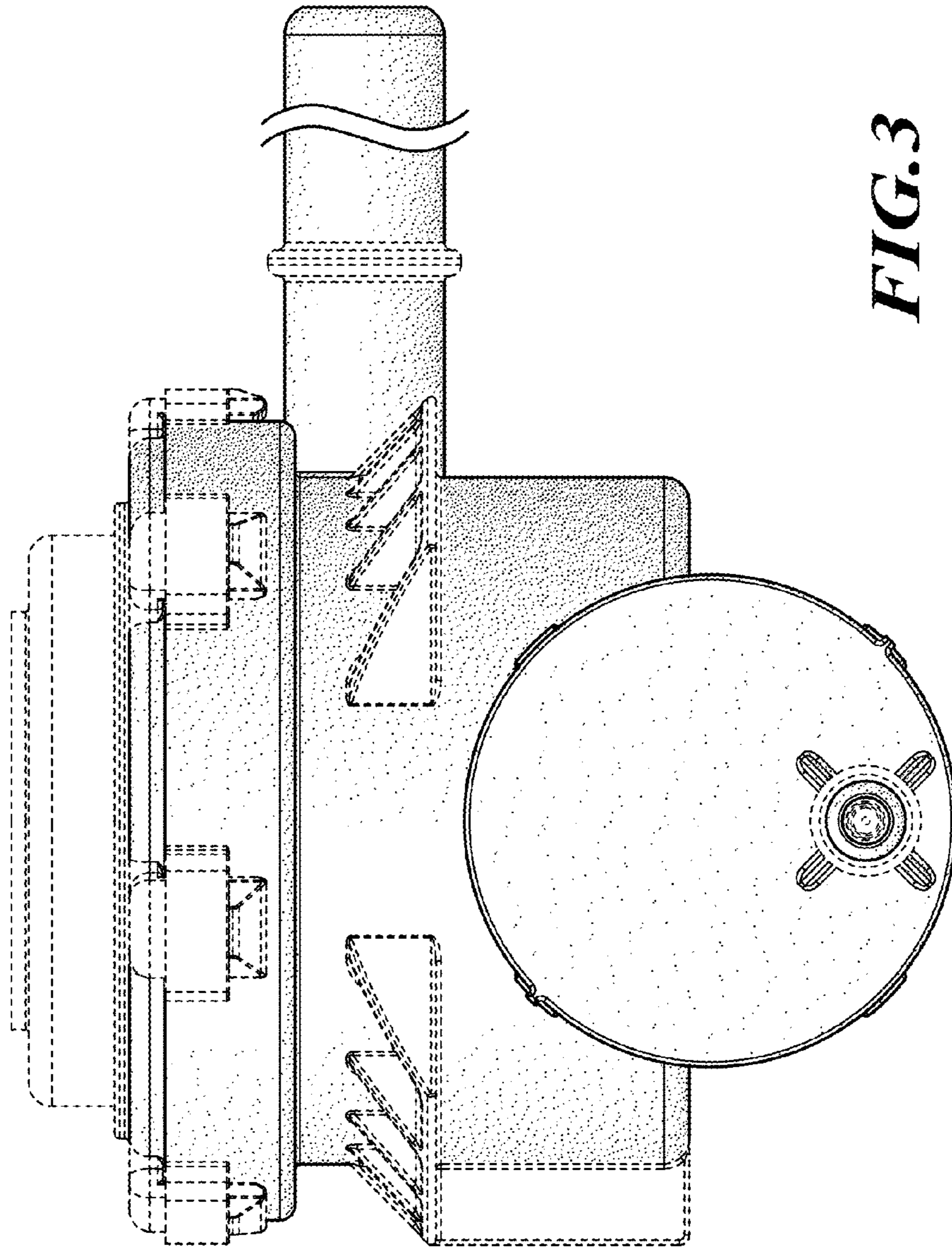
\* cited by examiner



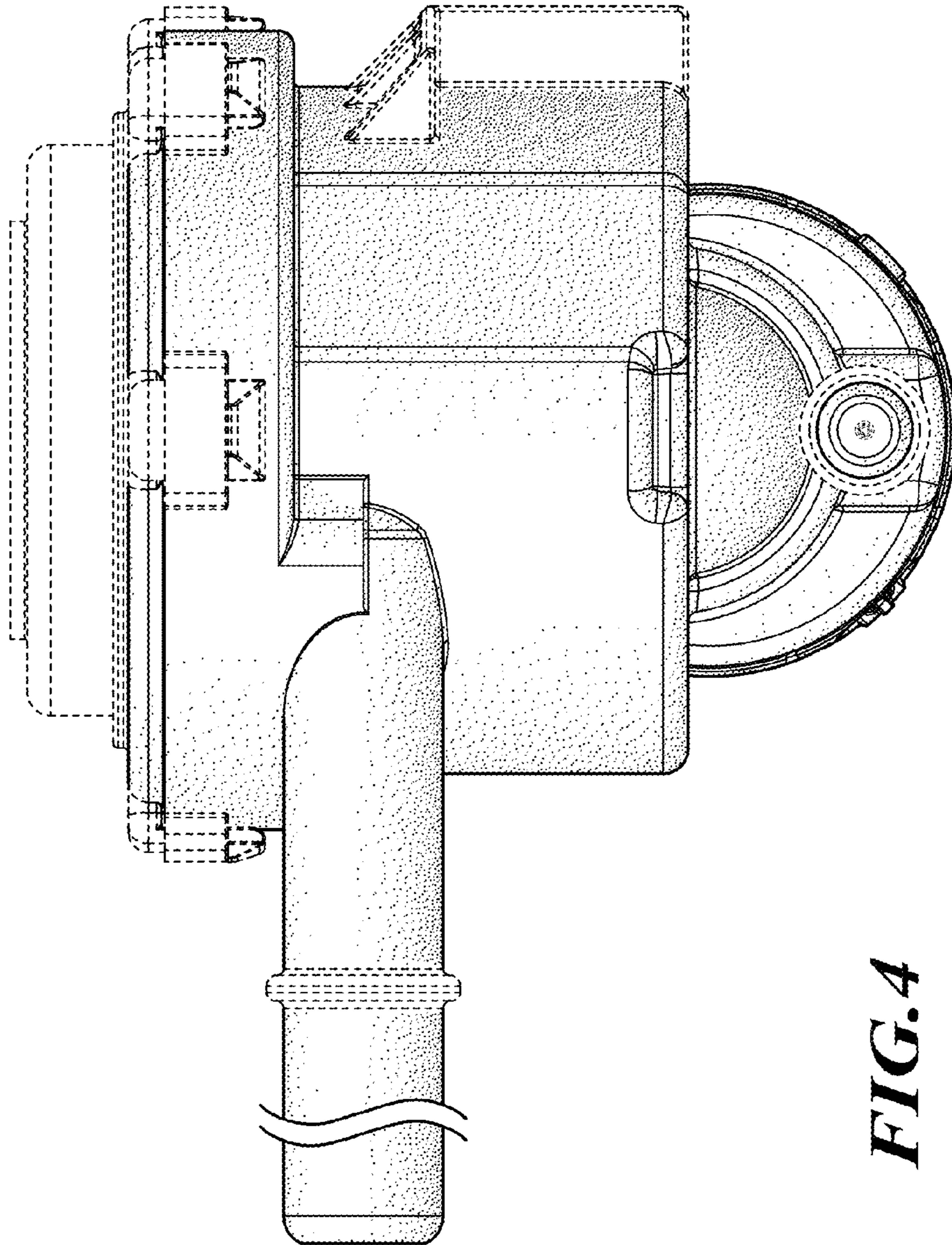
**FIG. 1**



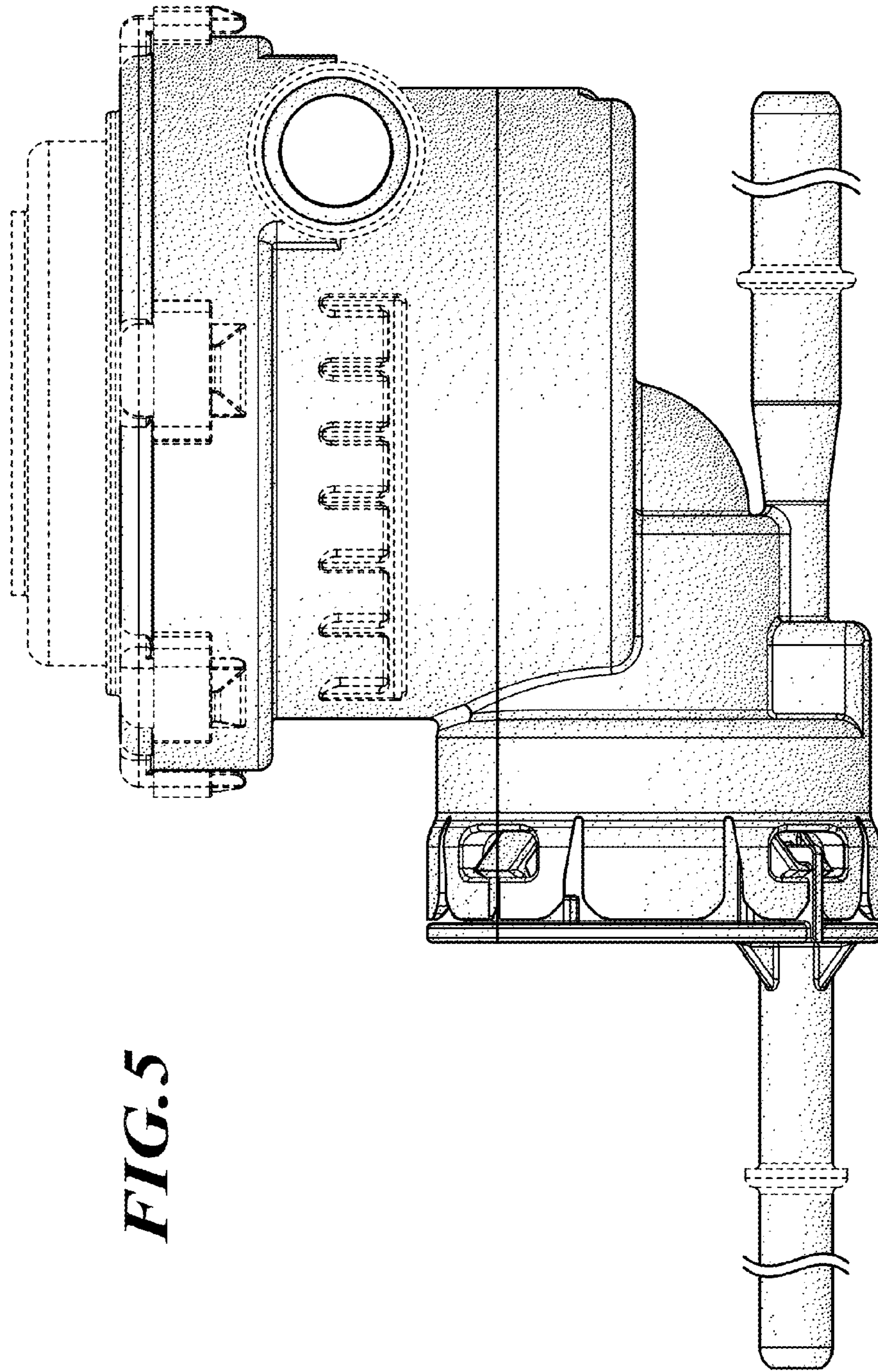
**FIG. 2**



**FIG. 3**

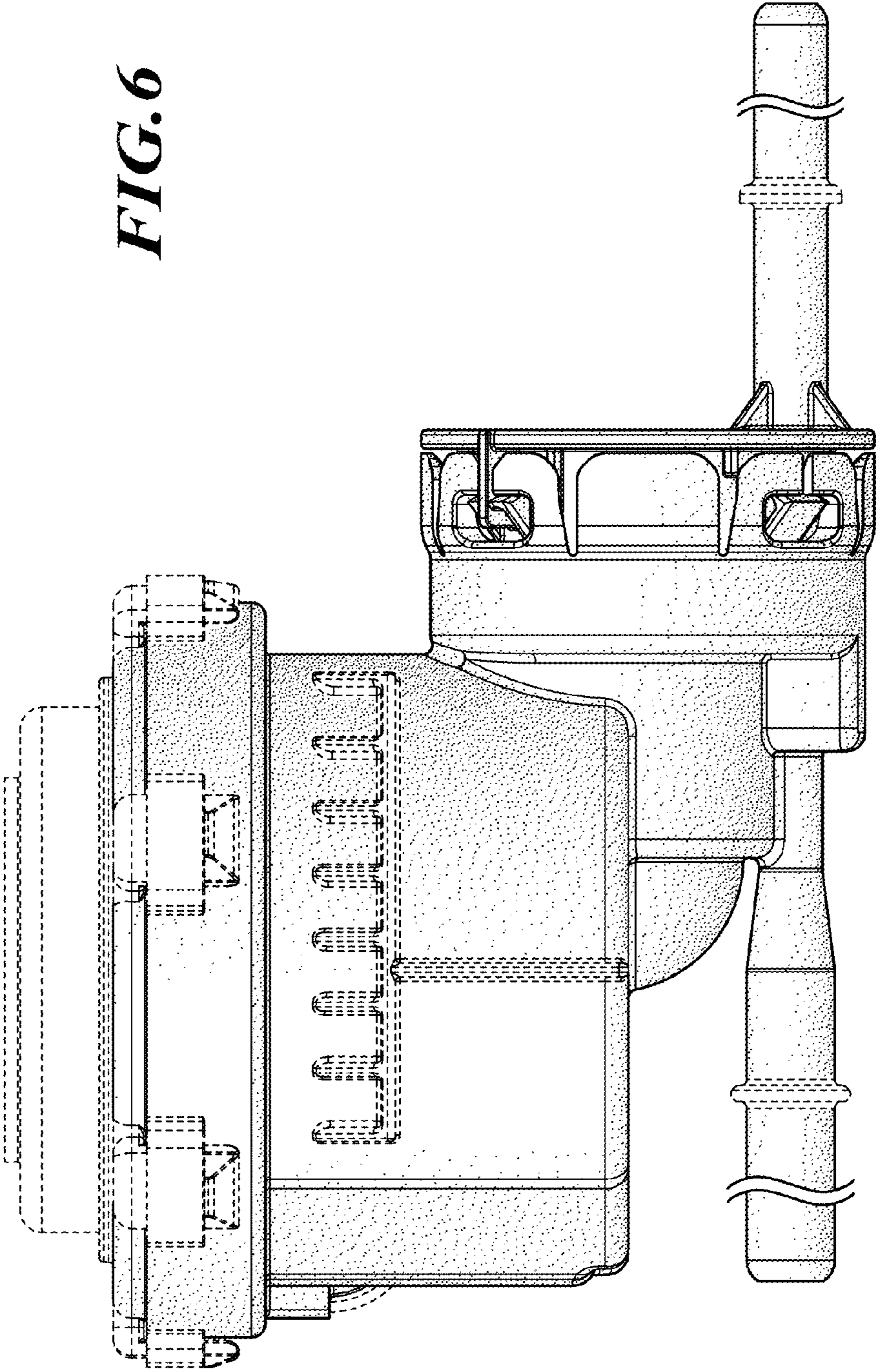


**FIG. 4**

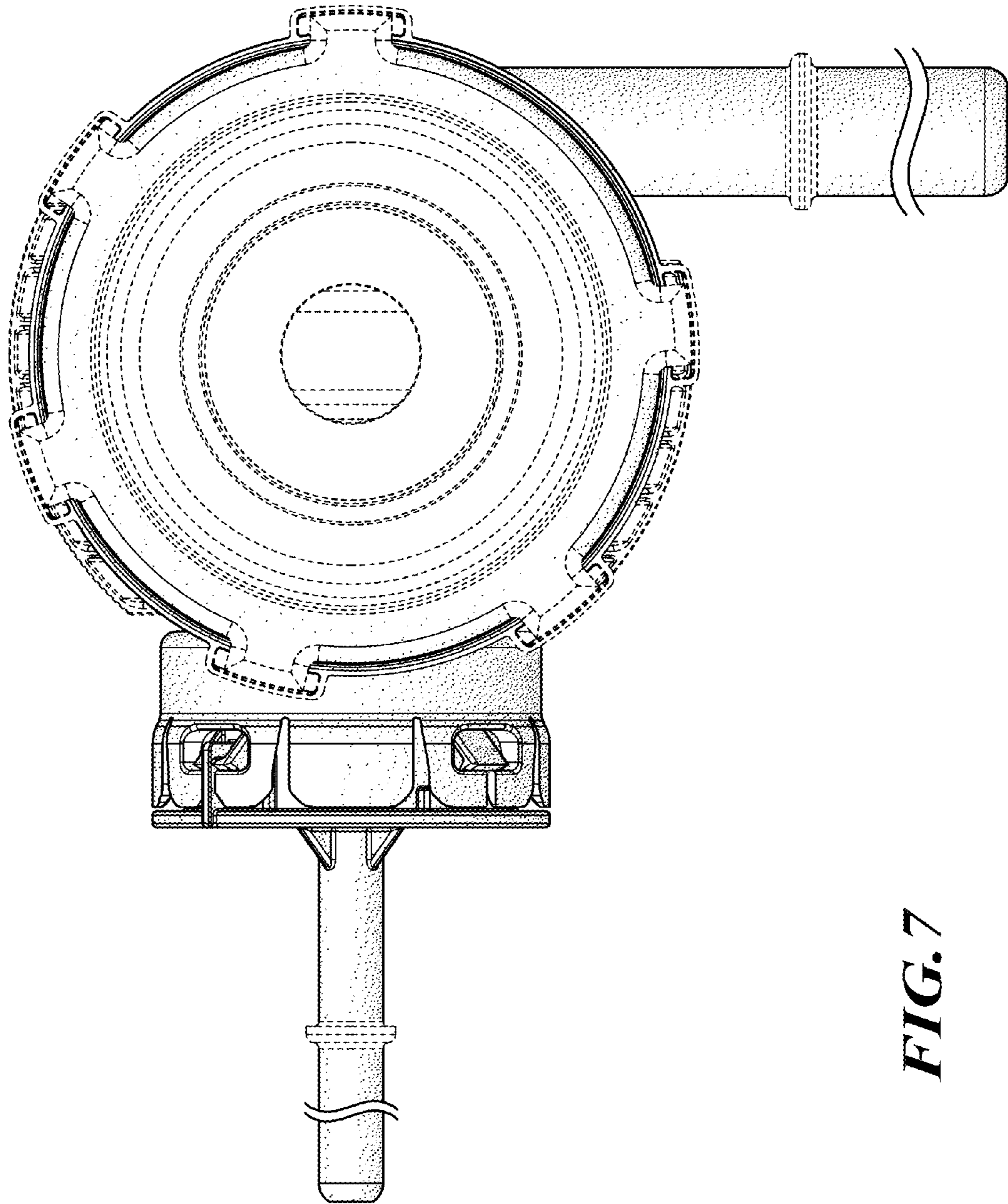


**FIG. 5**

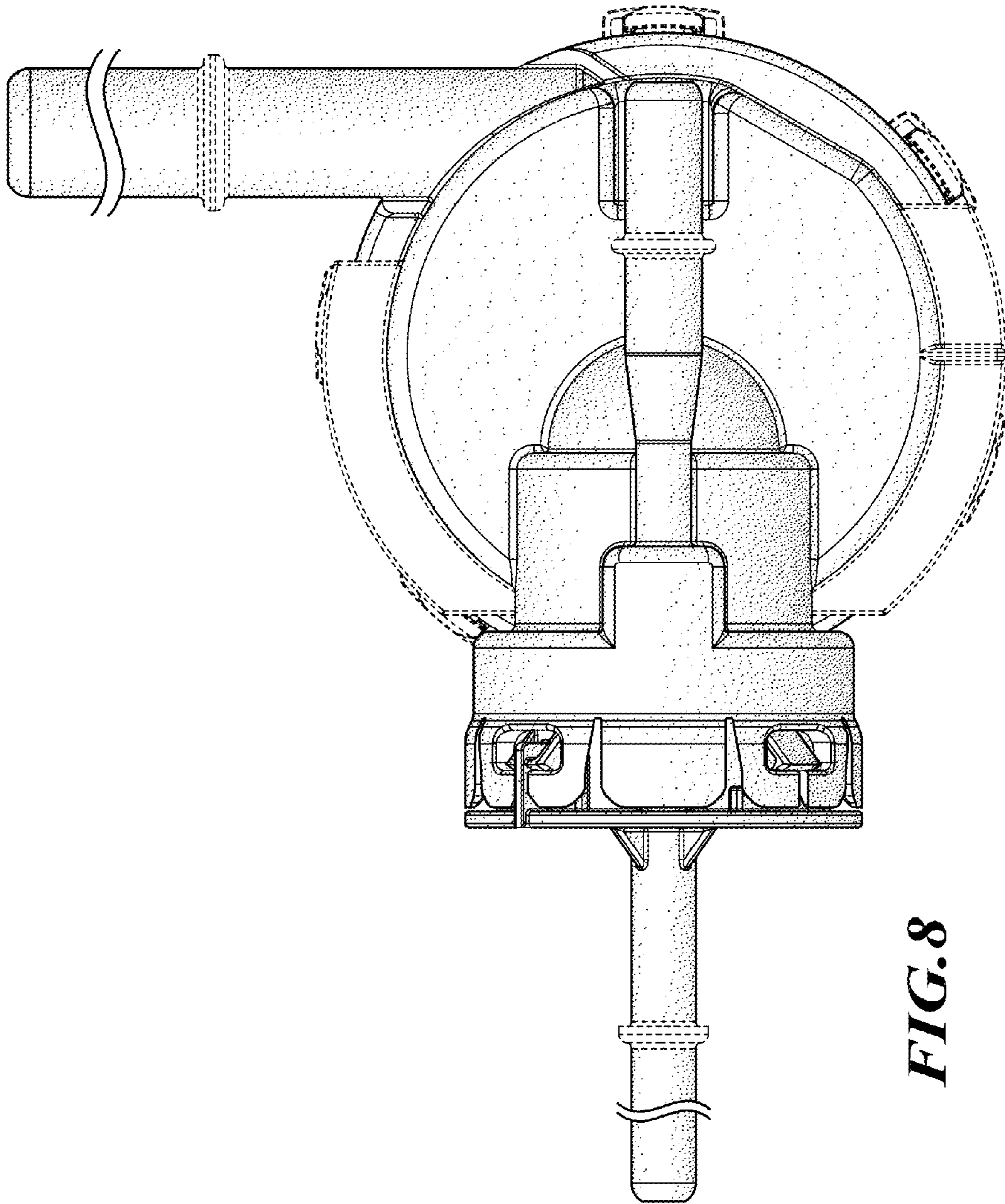
*FIG. 6*







**FIG. 7**



**FIG. 8**