

US00D721388S

(12) **United States Design Patent**
Martinez et al.

(10) **Patent No.:** **US D721,388 S**
(45) **Date of Patent:** **** Jan. 20, 2015**

- (54) **TENSIONER BRACKET**
- (71) Applicant: **The Gates Corporation**, Denver, CO
(US)
- (72) Inventors: **Arnaud Martinez**, Aachen (DE);
Casper Haenbeukers, Landgraaf (NL)
- (73) Assignee: **The Gates Corporation**, Denver, CO
(US)
- (**) Term: **14 Years**
- (21) Appl. No.: **29/468,911**
- (22) Filed: **Oct. 4, 2013**
- (51) **LOC (10) Cl.** **15-01**
- (52) **U.S. Cl.**
USPC **D15/5**
- (58) **Field of Classification Search**
USPC D15/1-6; 474/111, 133, 135, 94;
D12/223, 127
See application file for complete search history.

(56) **References Cited**

U.S. PATENT DOCUMENTS

4,822,322	A *	4/1989	Martin	474/135
5,254,048	A *	10/1993	Gardner et al.	474/135
6,231,465	B1 *	5/2001	Quintus	474/133
7,204,773	B2 *	4/2007	Ullein	474/111
D555,069	S *	11/2007	Francis	D12/223

8,403,780	B2 *	3/2013	Stegelman et al.	474/94
8,608,601	B2 *	12/2013	Kim	474/111
2002/0045503	A1 *	4/2002	Young et al.	474/111
2002/0058559	A1 *	5/2002	Serkh	474/100
2006/0281594	A1 *	12/2006	Markley et al.	474/109
2007/0186440	A1 *	8/2007	Guinibert et al.	34/603
2007/0220776	A1 *	9/2007	Guinibert et al.	34/603
2009/0205206	A1 *	8/2009	Markley	29/888.01
2011/0275465	A1 *	11/2011	Gillis et al.	474/133
2011/0294614	A1 *	12/2011	Bigler	474/133

* cited by examiner

Primary Examiner — T. Chase Nelson

Assistant Examiner — Ania Aman

(74) *Attorney, Agent, or Firm* — Jeffrey A. Thurnau, Esq.;
Paul N. Dunlap, Esq.

(57) **CLAIM**

The ornamental design for a tensioner bracket, as shown and described.

DESCRIPTION

FIG. 1 is a front elevation view.

FIG. 2 is a rear elevation view.

FIG. 3 is a top plan view.

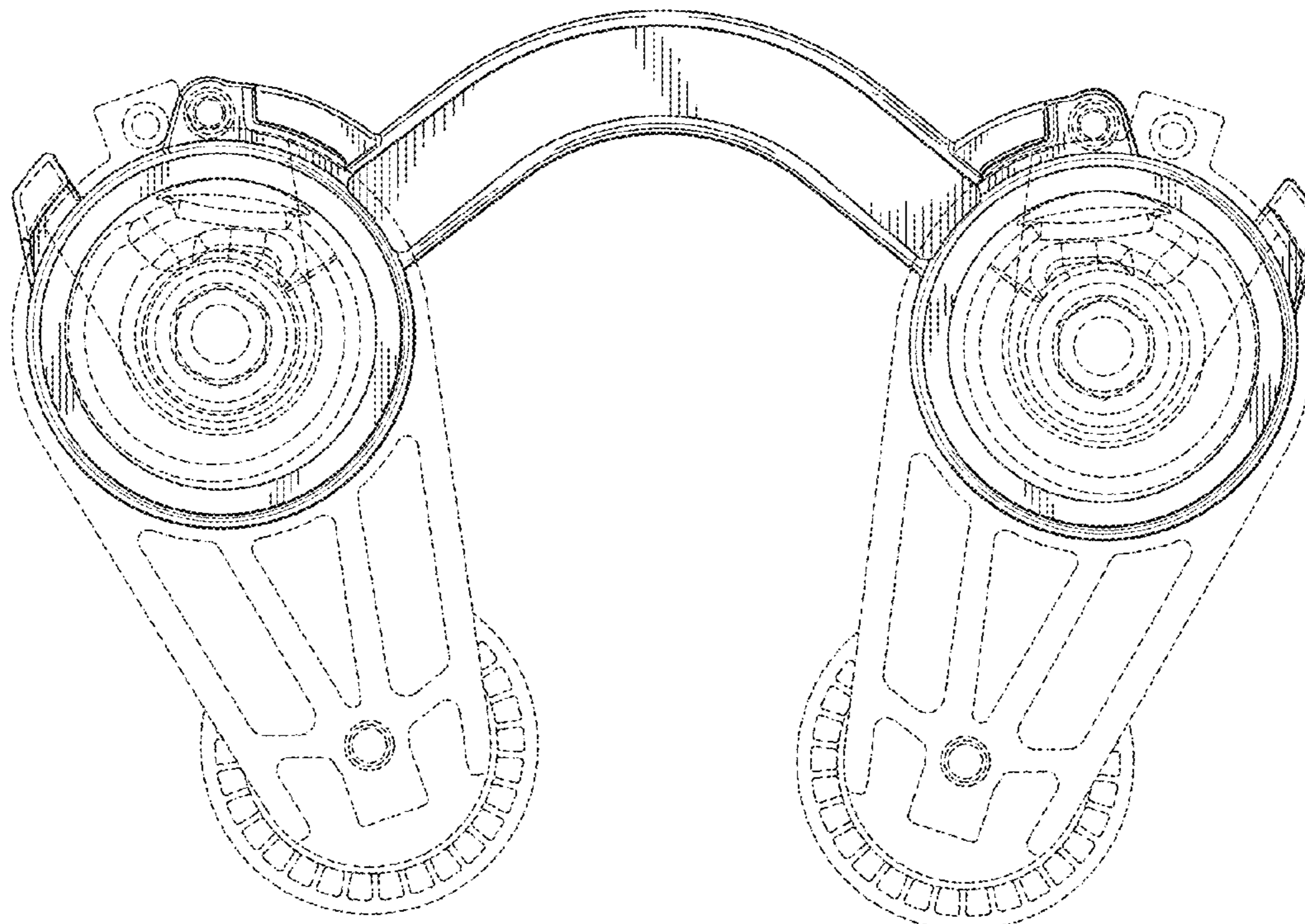
FIG. 4 is a bottom view.

FIG. 5 is a side elevation view; and,

FIG. 6 is a side elevation view.

The broken lines shown in the drawings are for the purpose of illustrating portions of the article that form no part of the claimed design.

1 Claim, 3 Drawing Sheets



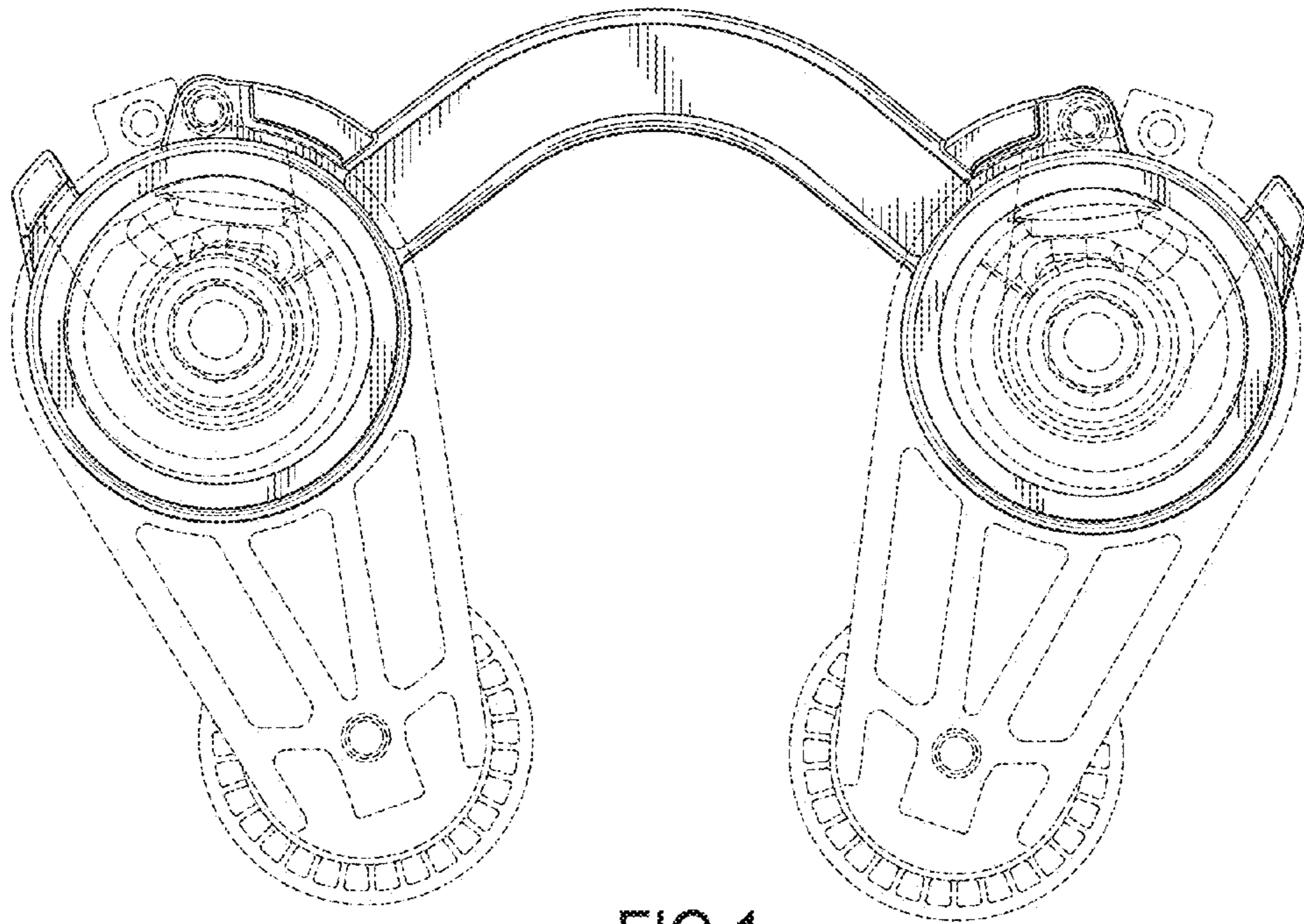


FIG.1

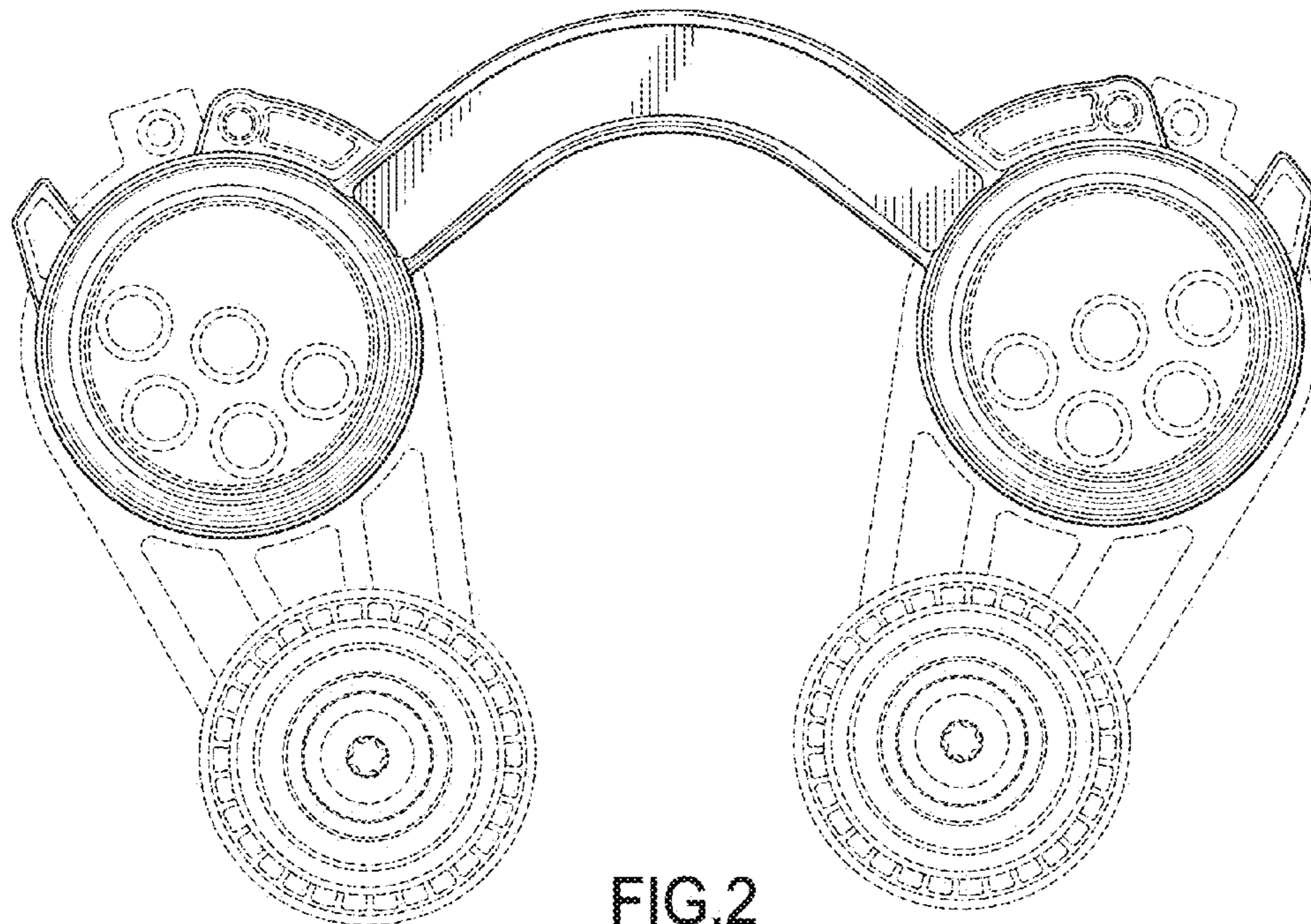


FIG.2

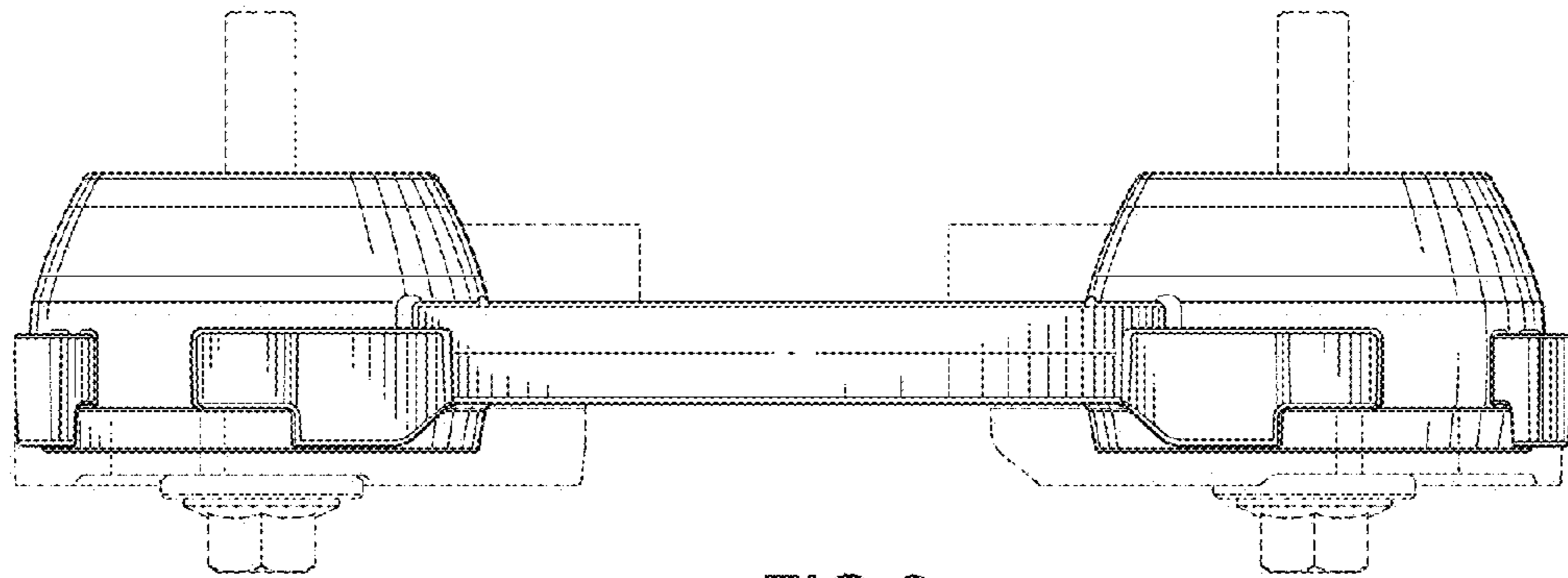


FIG.3

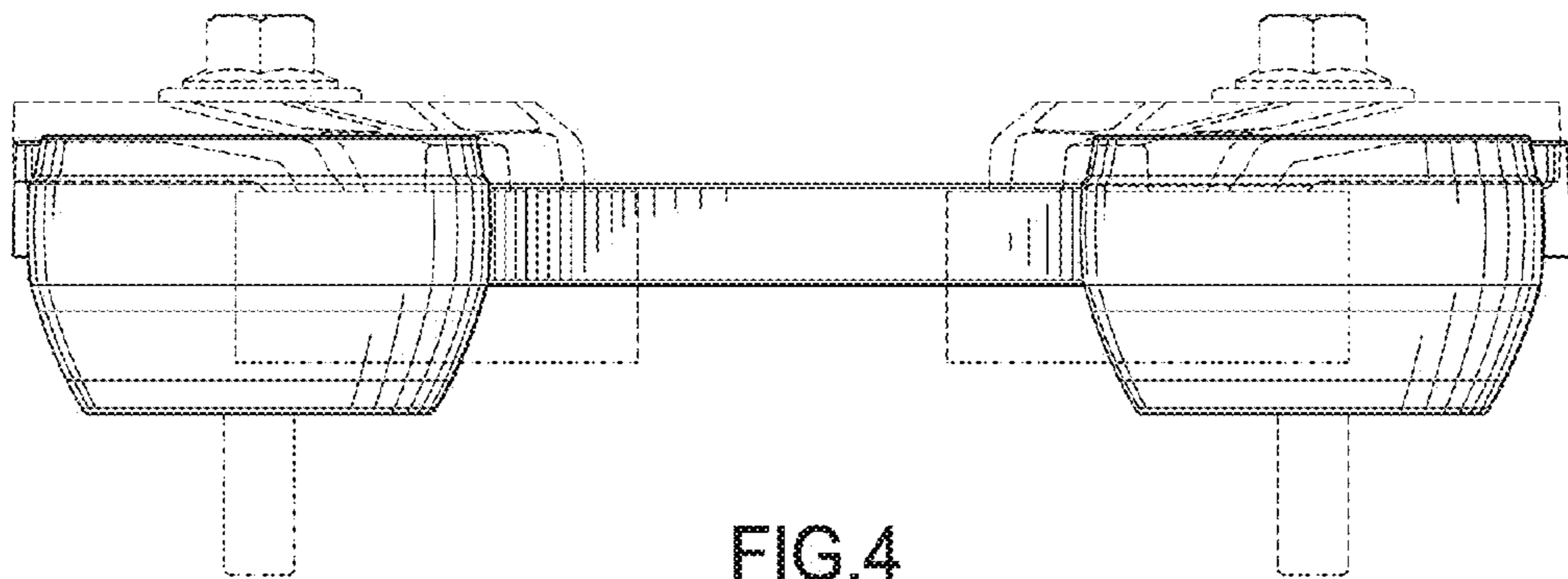


FIG.4

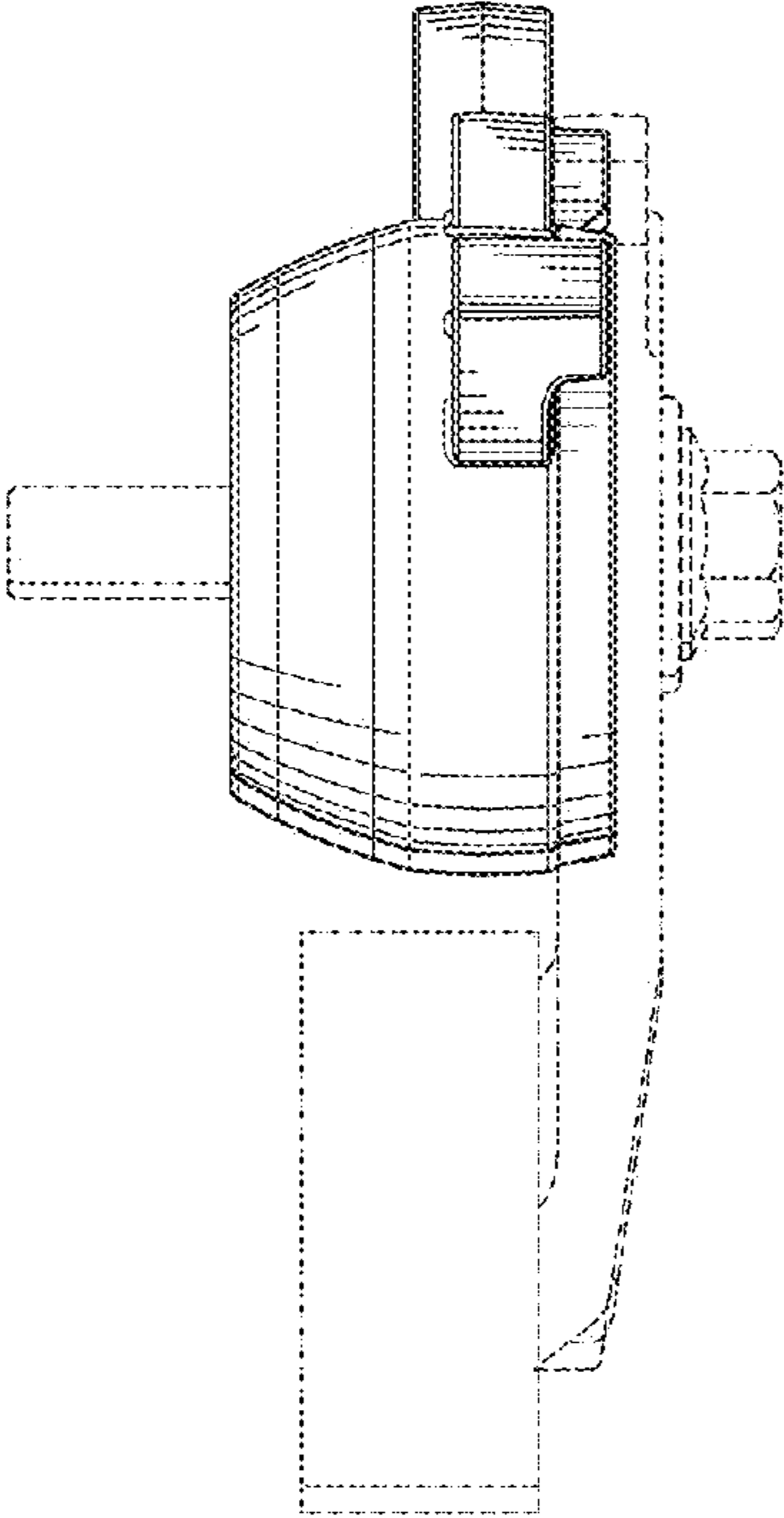


FIG.5

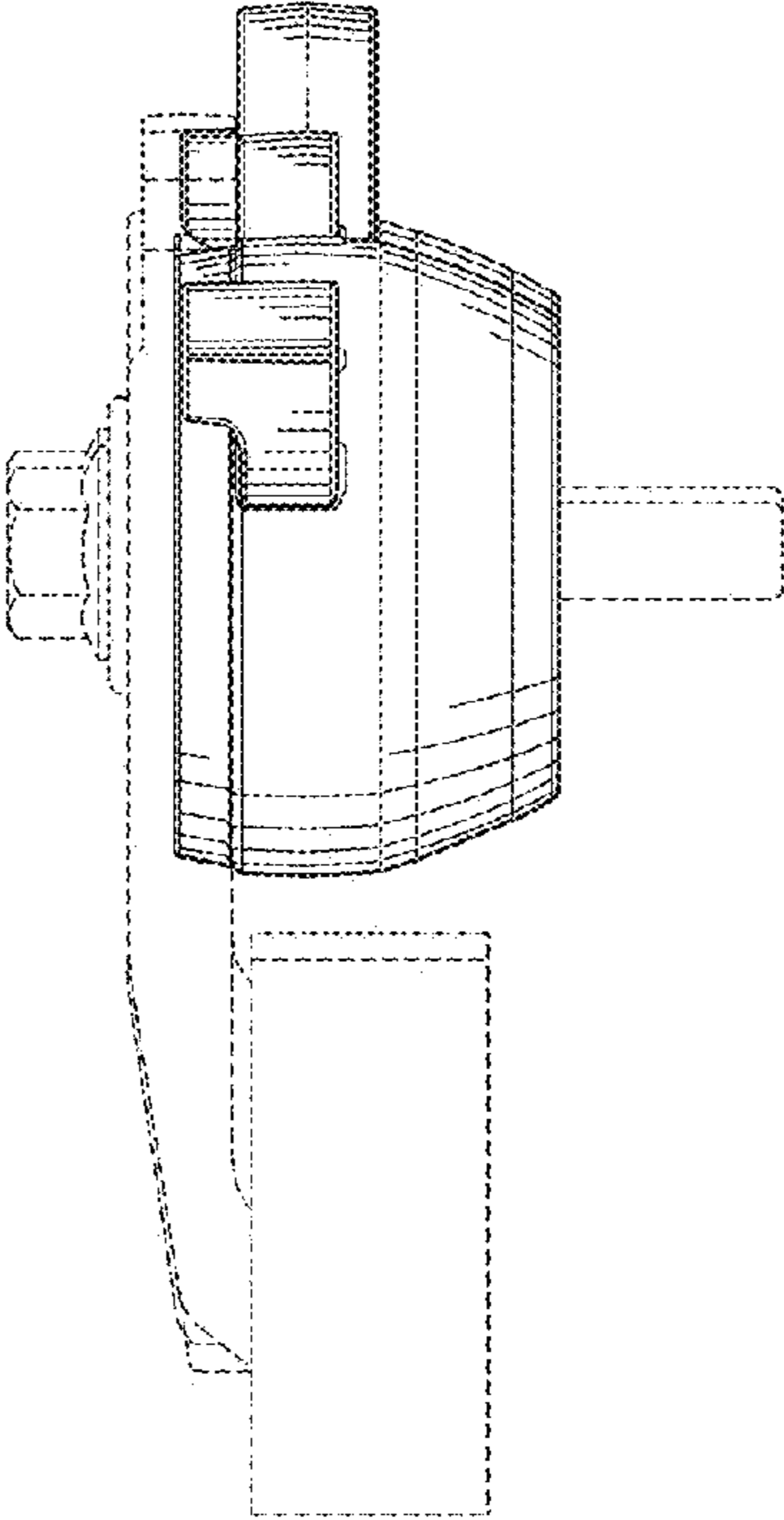


FIG.6