



US00D721384S

(12) **United States Design Patent**
Omata

(10) **Patent No.:** **US D721,384 S**
(45) **Date of Patent:** **** Jan. 20, 2015**

(54) **DISPLAY SCREEN OF FINDER OF DIGITAL CAMERA WITH TRANSITIONAL GRAPHICAL USER INTERFACE**

(71) Applicant: **Fujifilm Corporation**, Tokyo (JP)

(72) Inventor: **Takeharu Omata**, Tokyo (JP)

(73) Assignee: **Fujifilm Corporation**, Tokyo (JP)

(**) Term: **14 Years**

(21) Appl. No.: **29/445,666**

(22) Filed: **Feb. 14, 2013**

(30) **Foreign Application Priority Data**

Aug. 17, 2012 (JP) 2012-019764

(51) **LOC (10) Cl.** **14-04**

(52) **U.S. Cl.**
USPC **D14/487**

(58) **Field of Classification Search**

CPC G06F 3/04817

USPC D14/485, 486, 487, 488, 489, 490, 491,

D14/492, 493; 715/810, 835, 836, 837, 839,

715/840, 846, 847; D20/11; D16/200, 219

See application file for complete search history.

(56) **References Cited**

U.S. PATENT DOCUMENTS

D276,039 S * 10/1984 Tanaka D12/192

D306,463 S * 3/1990 Chiba D21/385

D328,763 S * 8/1992 Laviana et al. D20/12

D368,493 S * 4/1996 Boes et al. D14/257

D437,859 S * 2/2001 Alvarez et al. D14/489

D439,585 S * 3/2001 Law et al. D14/487

D469,107 S * 1/2003 Miller et al. D14/488

D473,240 S * 4/2003 Cockerill D14/489

D561,194 S * 2/2008 Okaro et al. D14/490

D602,042 S * 10/2009 Kaczmarek D14/492

D619,615 S * 7/2010 Hoffmann et al. D14/492

D649,557 S * 11/2011 Duchene D14/488

D682,876 S * 5/2013 MacNeil D14/488

D684,591 S * 6/2013 Refuah et al. D14/487

D690,614 S * 10/2013 Mascadri et al. D10/125

D694,777 S * 12/2013 Montgomery et al. D14/487

D705,810 S * 5/2014 Ma et al. D14/492

D710,875 S * 8/2014 McCormack et al. D14/487

* cited by examiner

Primary Examiner — Cynthia Underwood

(74) *Attorney, Agent, or Firm* — Jean C. Edwards, Esq.;
Edwards Neils PLLC

(57) **CLAIM**

The ornamental design for a display screen of finder of digital camera with transitional graphical user interface, as shown and described.

DESCRIPTION

FIG. 1 is a first image of a display screen of finder of digital camera with transitional graphical user interface showing my new design, with the display screen shown enlarged and removed from the digital camera;

FIG. 2 is a second image thereof;

FIG. 3 is a third image thereof;

FIG. 4 is a front view of the display screen of finder of digital camera with transitional graphical user interface of FIG. 1;

FIG. 5 is a rear view thereof;

FIG. 6 is a left side view thereof;

FIG. 7 is a right side view thereof;

FIG. 8 is a top plan view thereof; and,

FIG. 9 is a bottom view thereof.

The portions in broken lines represent the display screen of finder of digital camera and form no part of the claimed design.

1 Claim, 8 Drawing Sheets

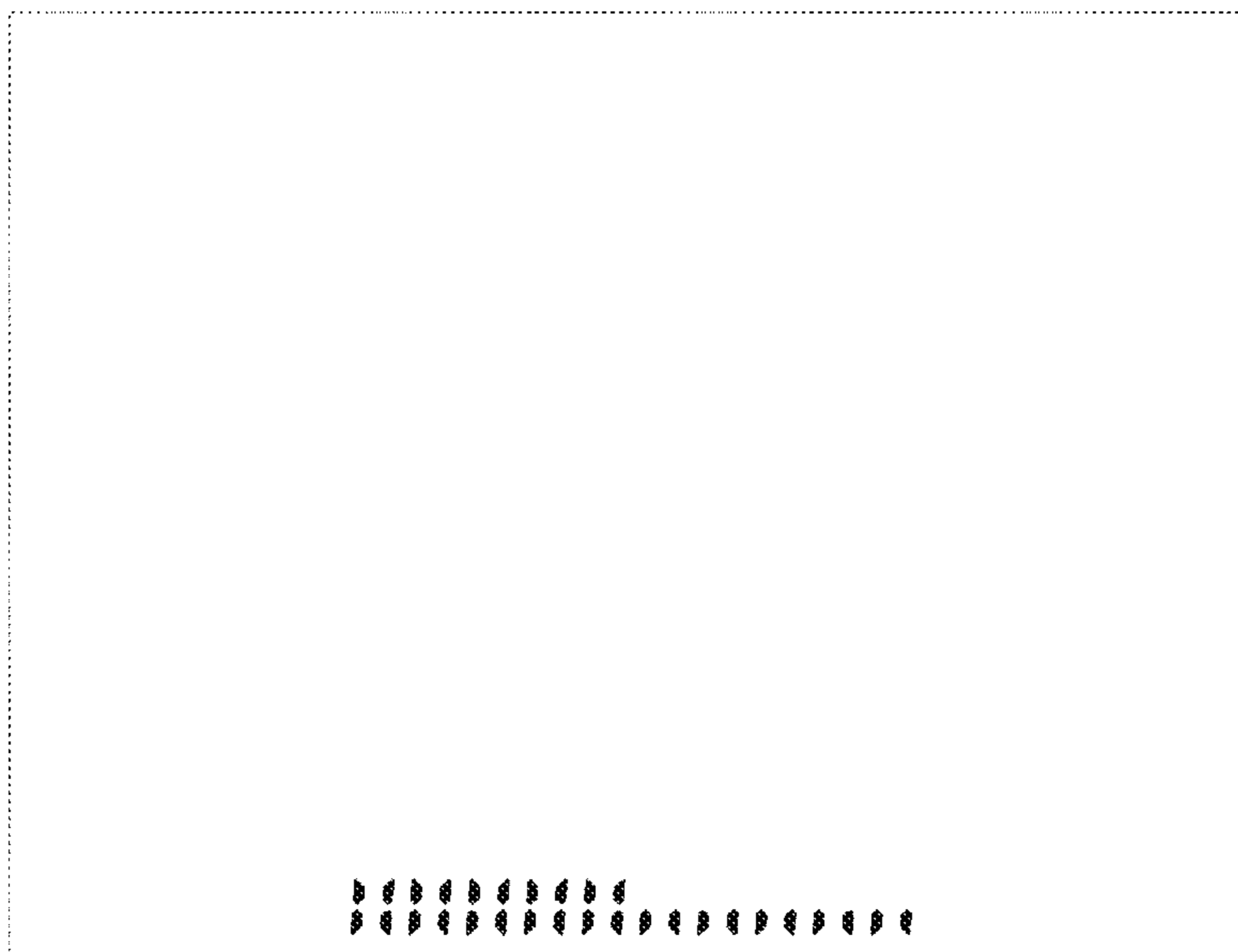


Fig. 1

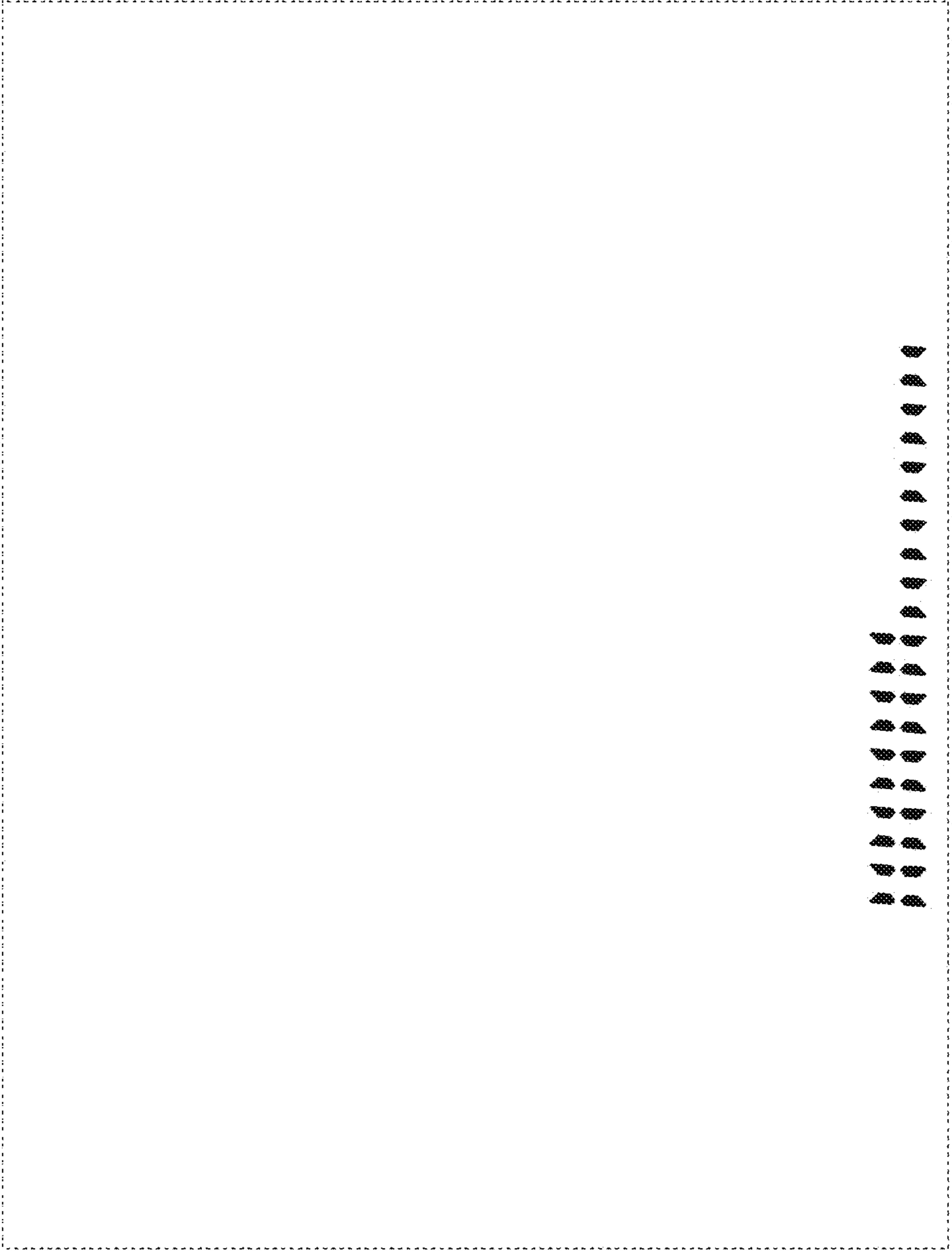


Fig. 2

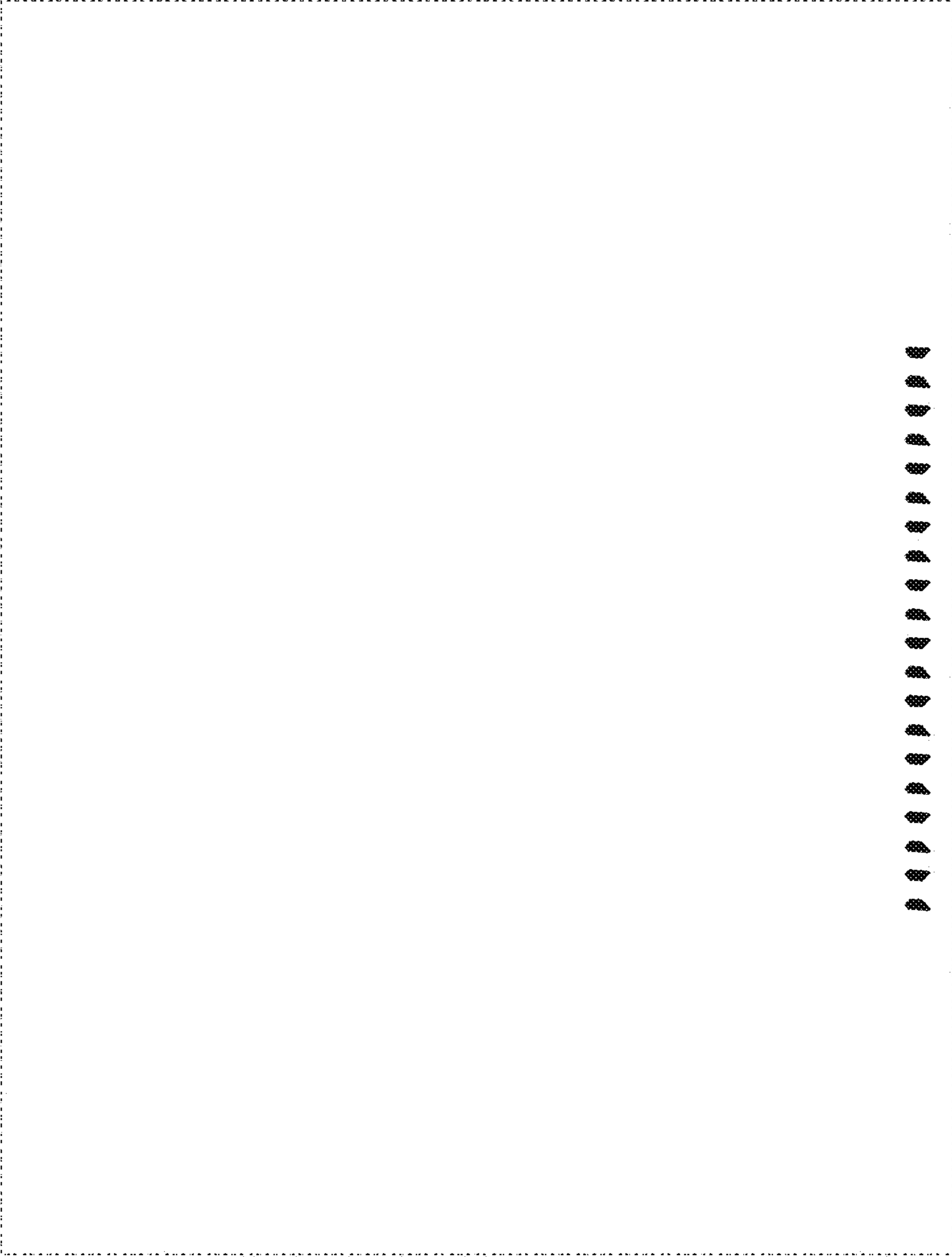


Fig. 3

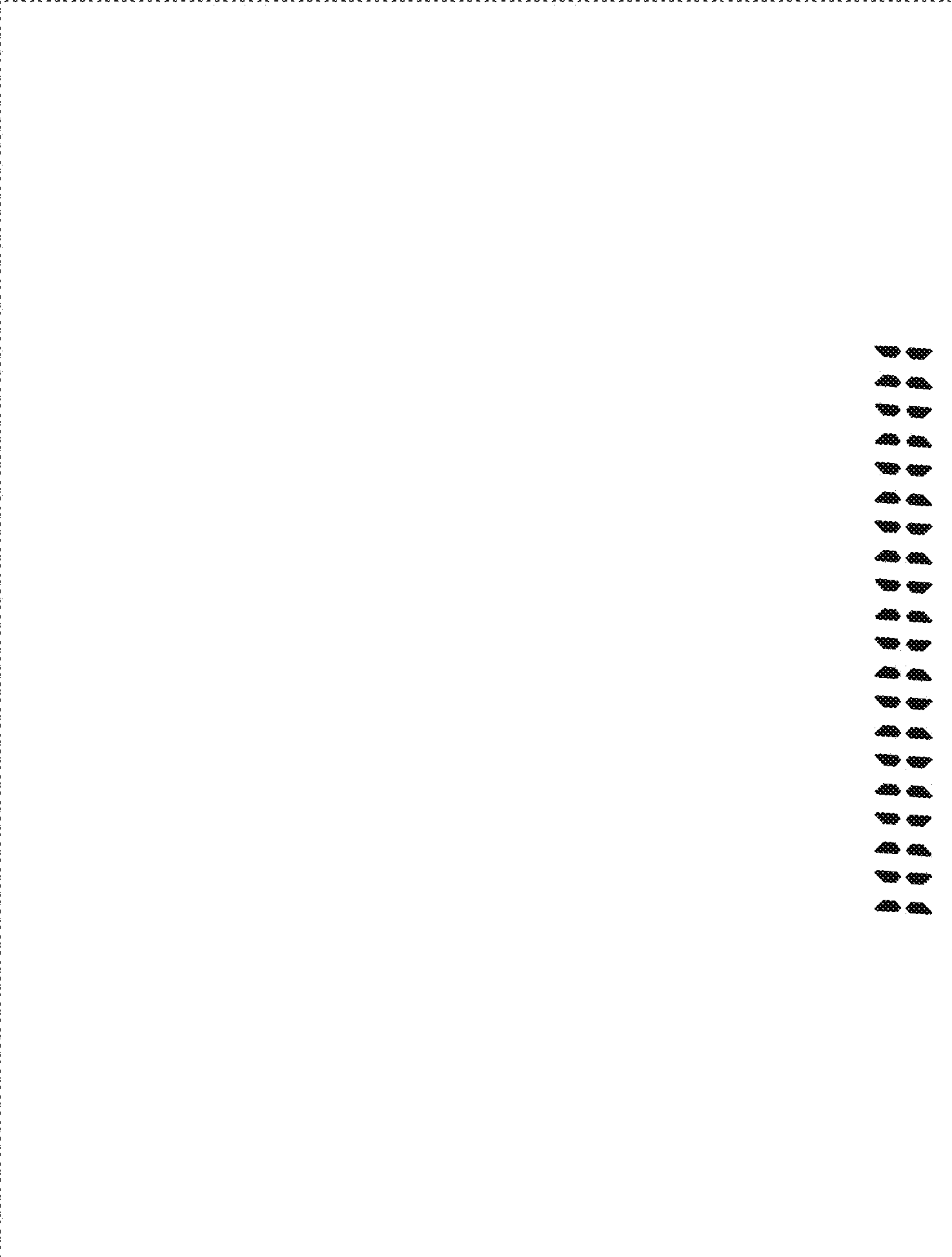


Fig. 4

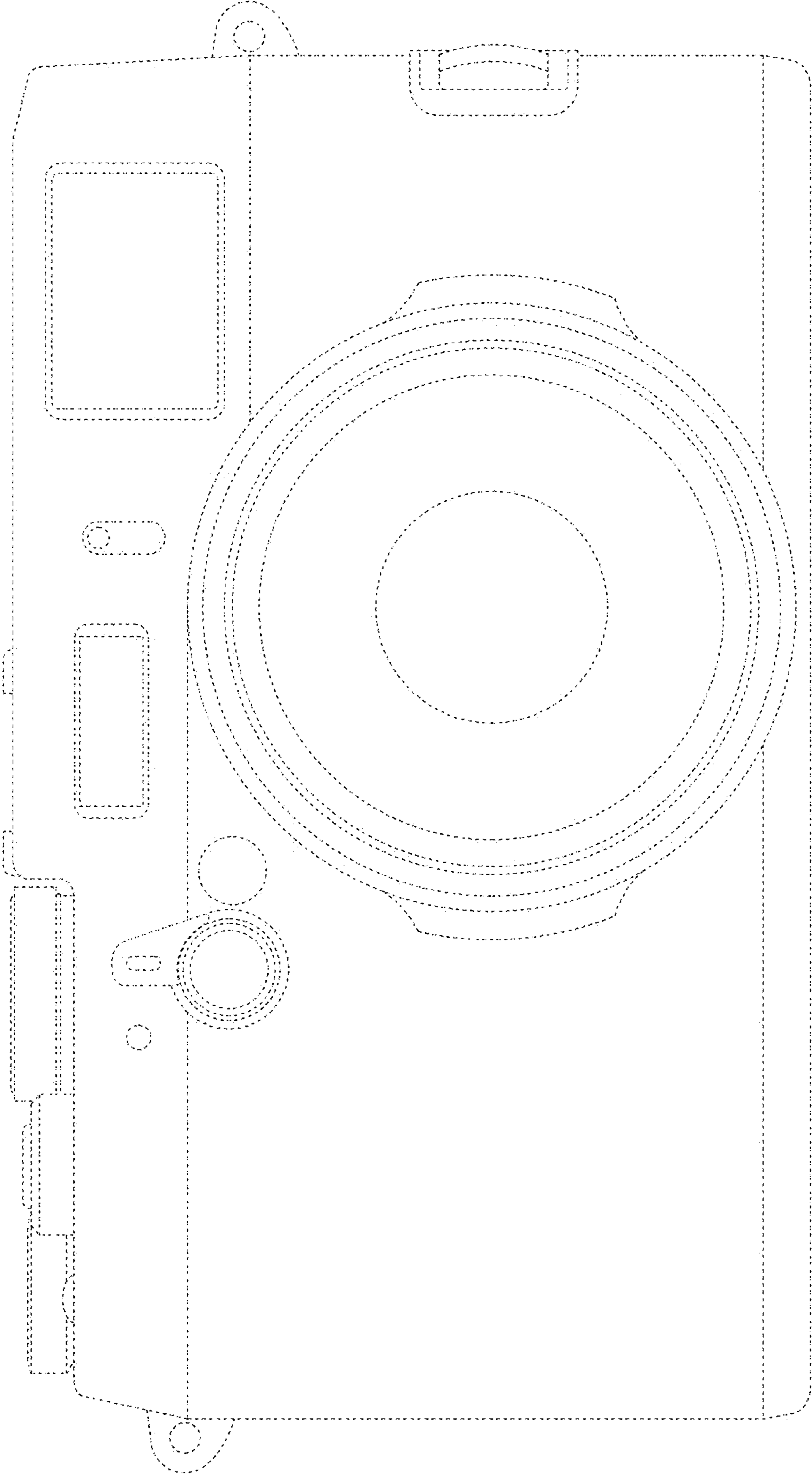


Fig. 5

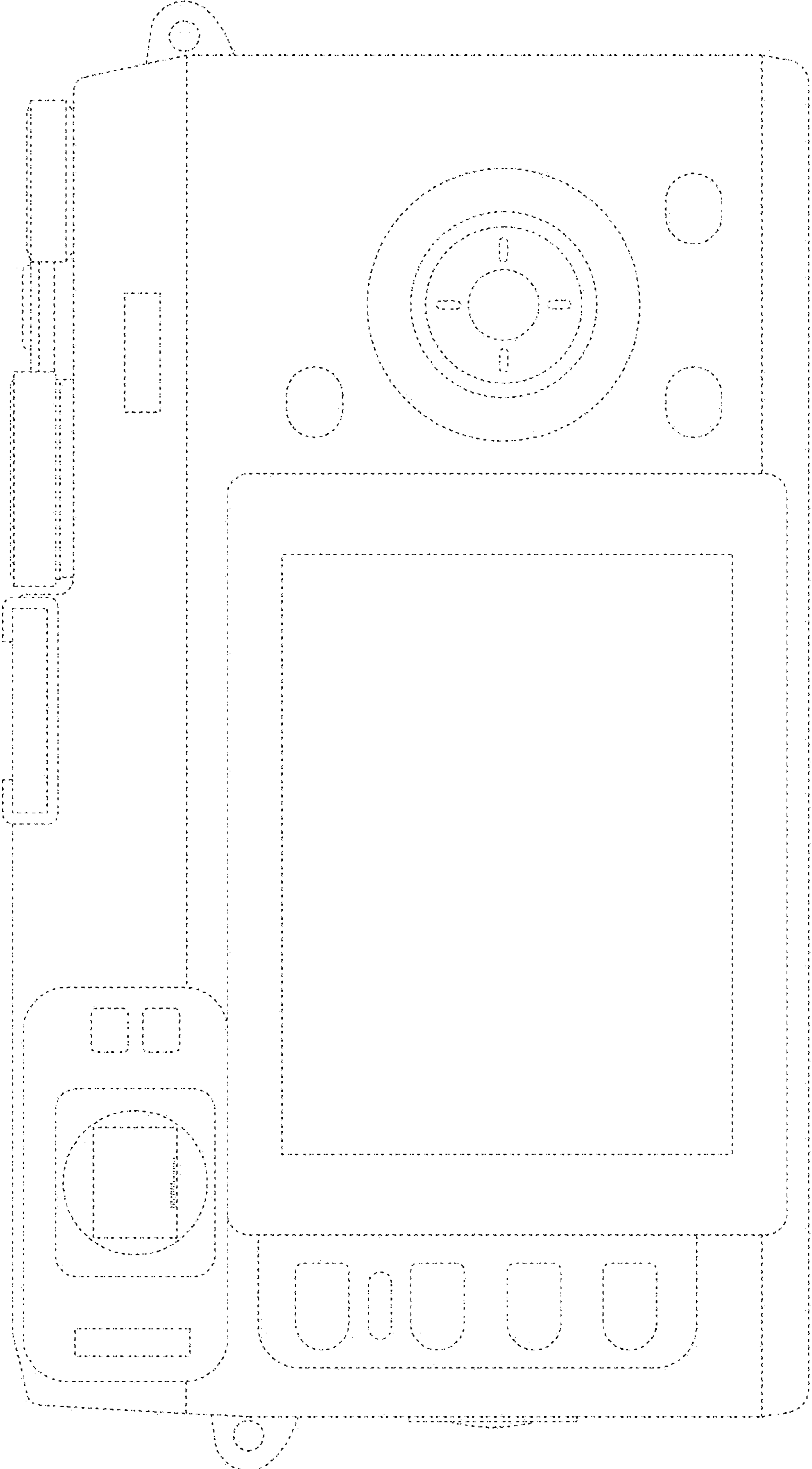


Fig. 7

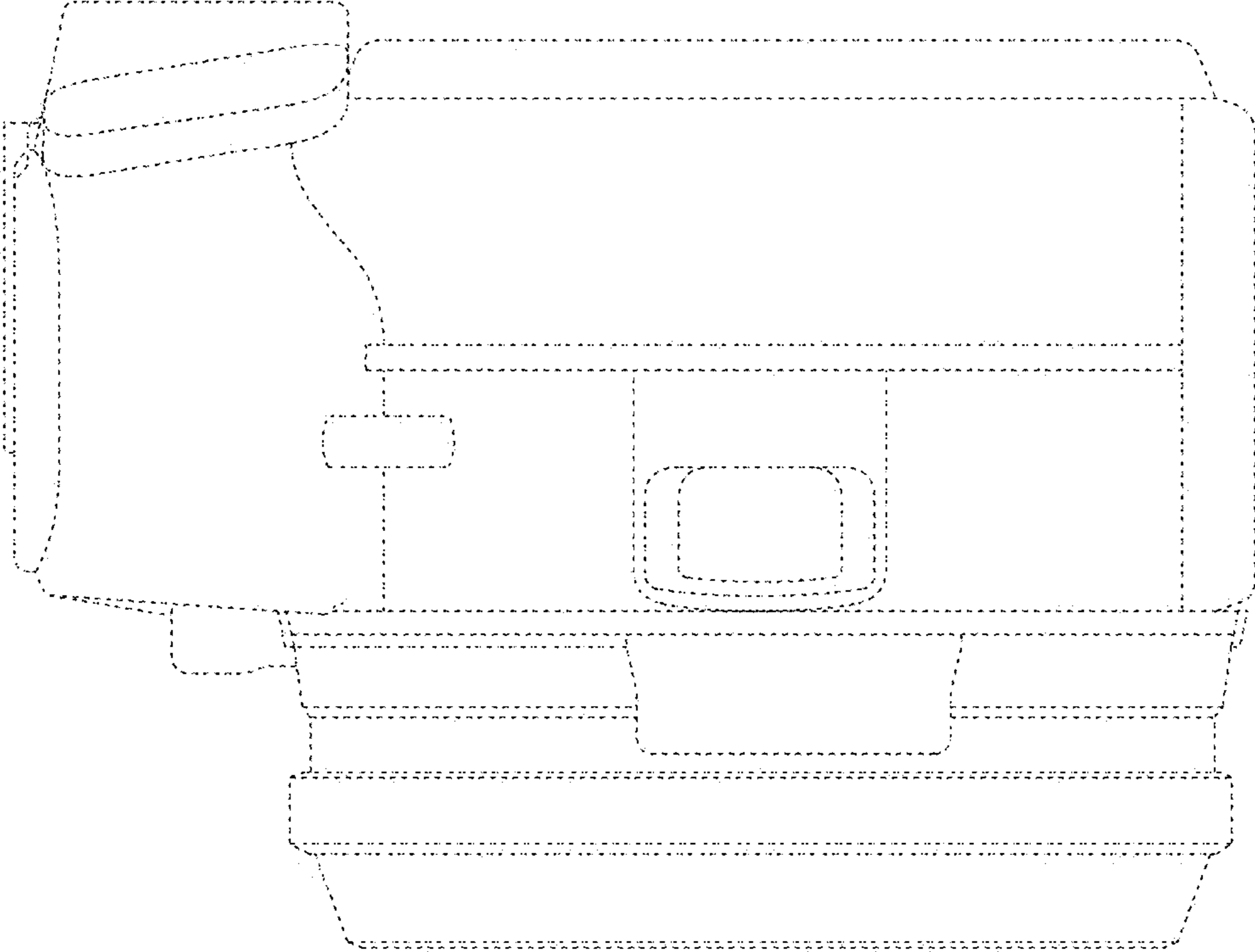


Fig. 6

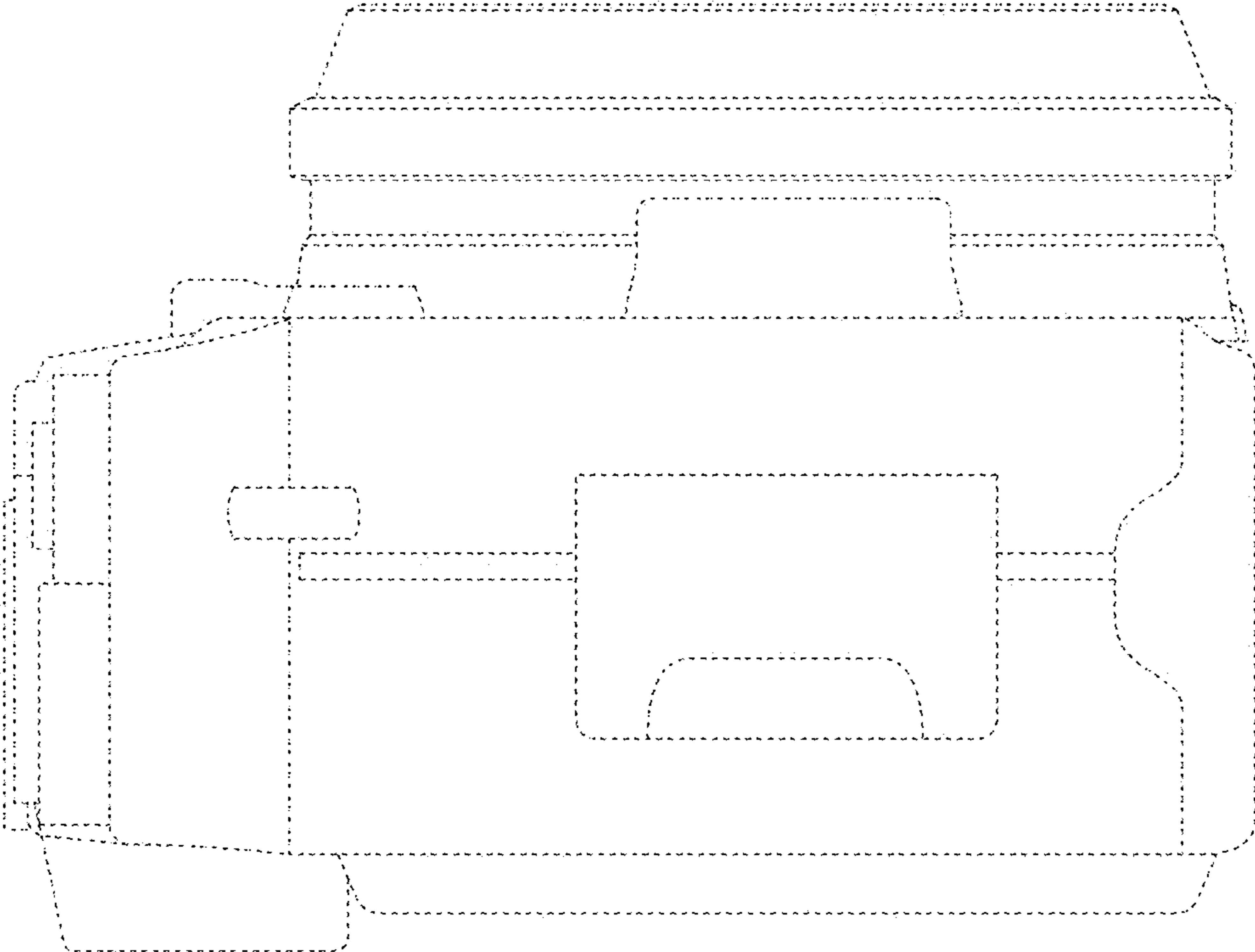


Fig. 8

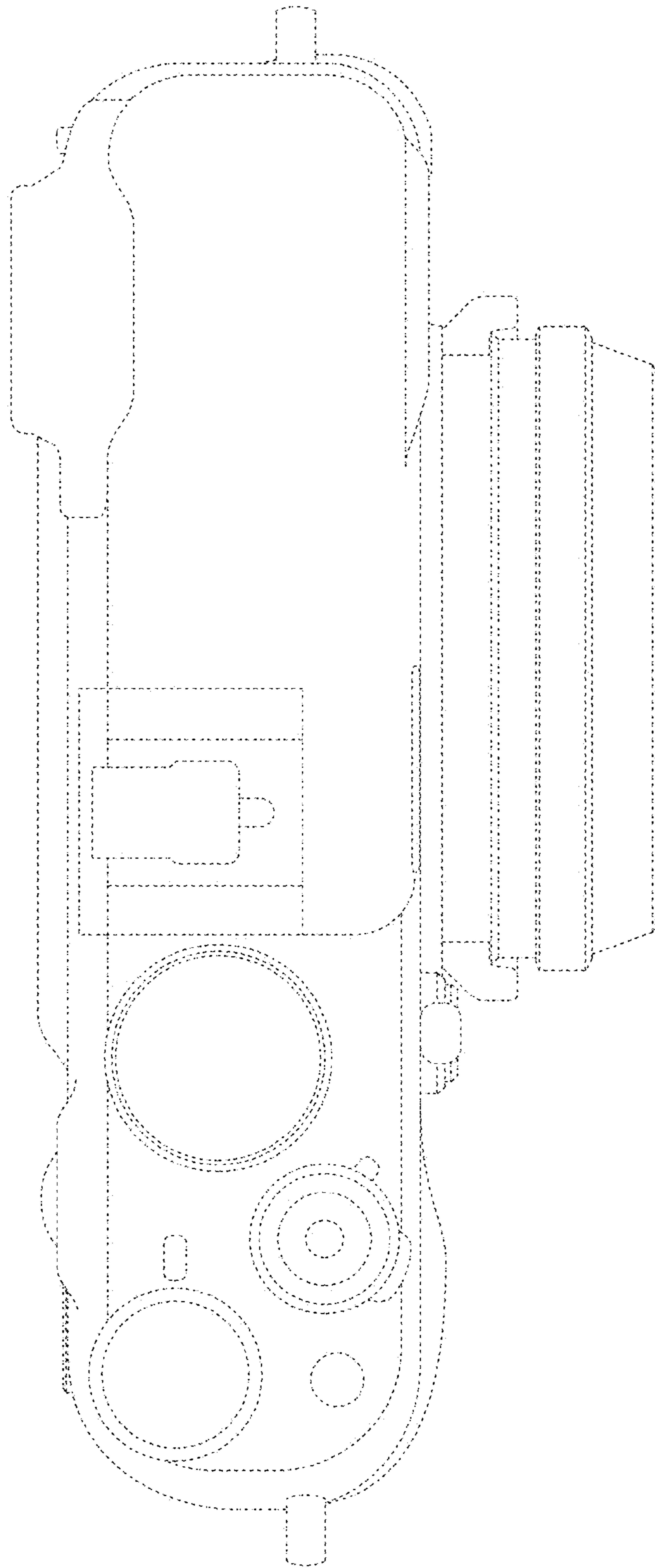


Fig. 9

