



US00D721377S

(12) **United States Design Patent**
Pelster et al.

(10) **Patent No.:** **US D721,377 S**
(45) **Date of Patent:** **** Jan. 20, 2015**

(54) **SUPPORT FOR MOBILE ELECTRONIC DEVICES**

(71) Applicant: **viveroo GmbH**, Salzkotten (DE)

(72) Inventors: **Michael Pelster**, Warstein (DE);
Winfried Bueth, Salzkotten (DE)

(73) Assignee: **viveroo GmbH**, Salzkotten (DE)

(**) Term: **14 Years**

(21) Appl. No.: **29/483,041**

(22) Filed: **Feb. 25, 2014**

(30) **Foreign Application Priority Data**

Aug. 30, 2013 (DE) 40 2013 100 893

(51) **LOC (10) Cl.** **08-07**

(52) **U.S. Cl.**
USPC **D14/447**

(58) **Field of Classification Search**
USPC D14/447, 432, 434, 439, 440, 451, 452,
D14/239, 251, 253, 217, 374, 375;
D6/406.3, 406.4, 406.5; D3/218;
D12/415; 248/917-924, 445, 447, 451,
248/455, 460, 150, 188.6, 176.1;
361/679.09, 679.21, 679.22, 679.26,
361/679.3, 679.55, 679.56

See application file for complete search history.

(56) **References Cited**

U.S. PATENT DOCUMENTS

D524,243 S * 7/2006 Lee D13/108
D536,665 S * 2/2007 Solland D13/108
D546,839 S * 7/2007 Hyneczek et al. D14/496
D553,123 S * 10/2007 Solland D14/217

D554,105 S * 10/2007 Langberg et al. D14/214
D596,618 S * 7/2009 Zha D14/209.1
D640,248 S * 6/2011 Baumann et al. D14/253
D670,704 S * 11/2012 Barker D14/447
8,369,082 B2 2/2013 Madonna et al.
D678,298 S * 3/2013 Burrige D14/447
D688,667 S * 8/2013 Gander et al. D14/432
D692,008 S * 10/2013 Feldstein et al. D14/447
2003/0205649 A1* 11/2003 Saluccio 248/176.1
2012/0068832 A1 3/2012 Feldstein et al.
2013/0327904 A1* 12/2013 Christal 248/176.1

FOREIGN PATENT DOCUMENTS

DE 202011052313 U1 3/2012
DE 202011000394 U1 7/2012

(Continued)

OTHER PUBLICATIONS

European Search Report Dated May 5, 2014.

Primary Examiner — Angela J Lee

(74) *Attorney, Agent, or Firm* — Karl F. Milde, Jr.; Eckert
Seamans Cherin & Mellott, LLC

(57) **CLAIM**

The ornamental design for a support for an electronic mobile device, as shown and described.

DESCRIPTION

FIG. 1 is a perspective view of the support for a mobile electronic device, according to our design.

FIG. 2 is a front view of the design of FIG. 1.

FIG. 3 is rear view of the design of FIG. 1.

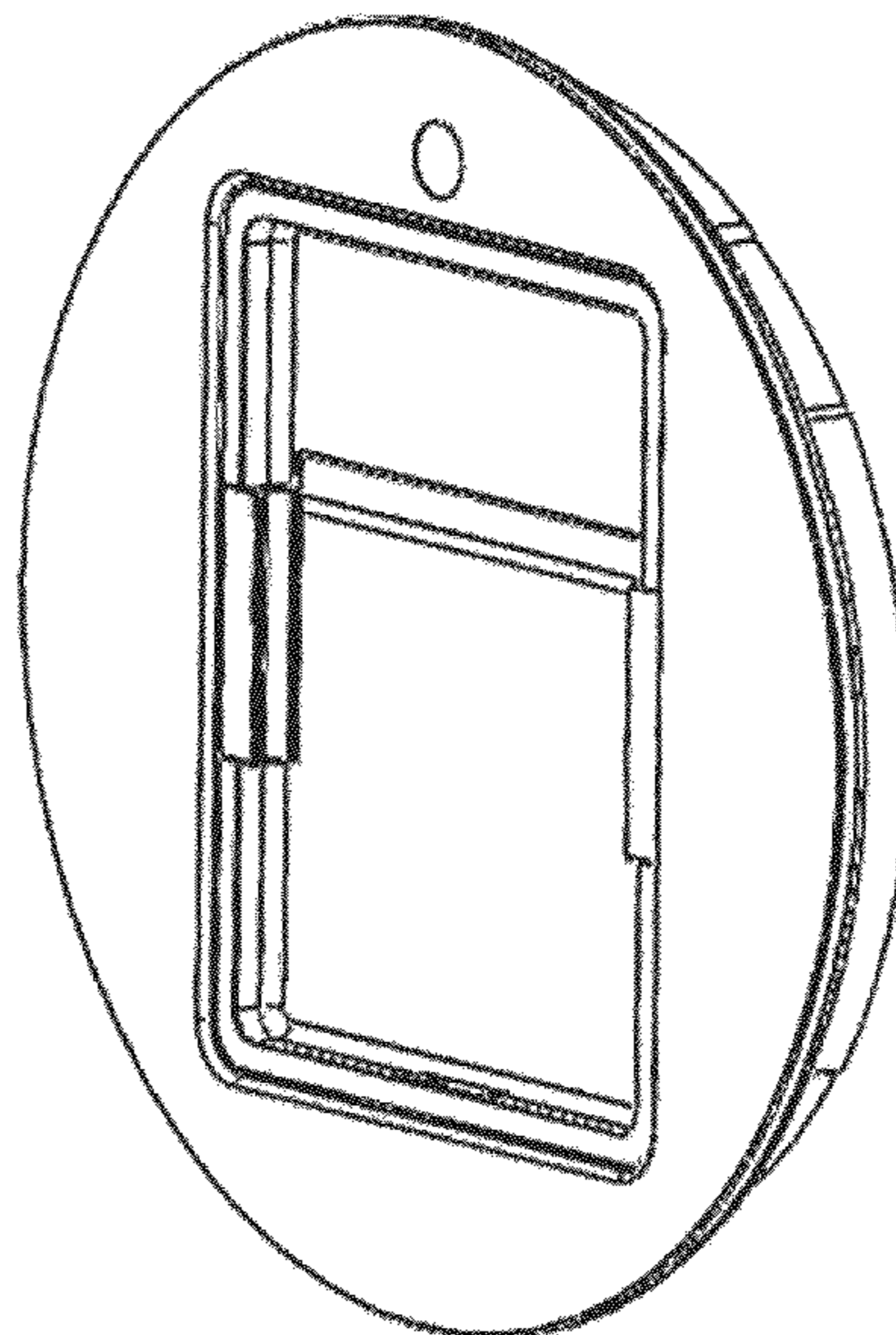
FIG. 4 is a right side view of the design of FIG. 1.

FIG. 5 is a left side view of the design of FIG. 1

FIG. 6 is a top view of the design of FIG. 1; and,

FIG. 7 is a bottom view of the design of FIG. 1.

1 Claim, 7 Drawing Sheets



(56)

References Cited

WO 2012094526 A1 7/2012
WO 2013072794 A1 5/2013

FOREIGN PATENT DOCUMENTS

DE 10 2011 000 848 A1 8/2012

* cited by examiner

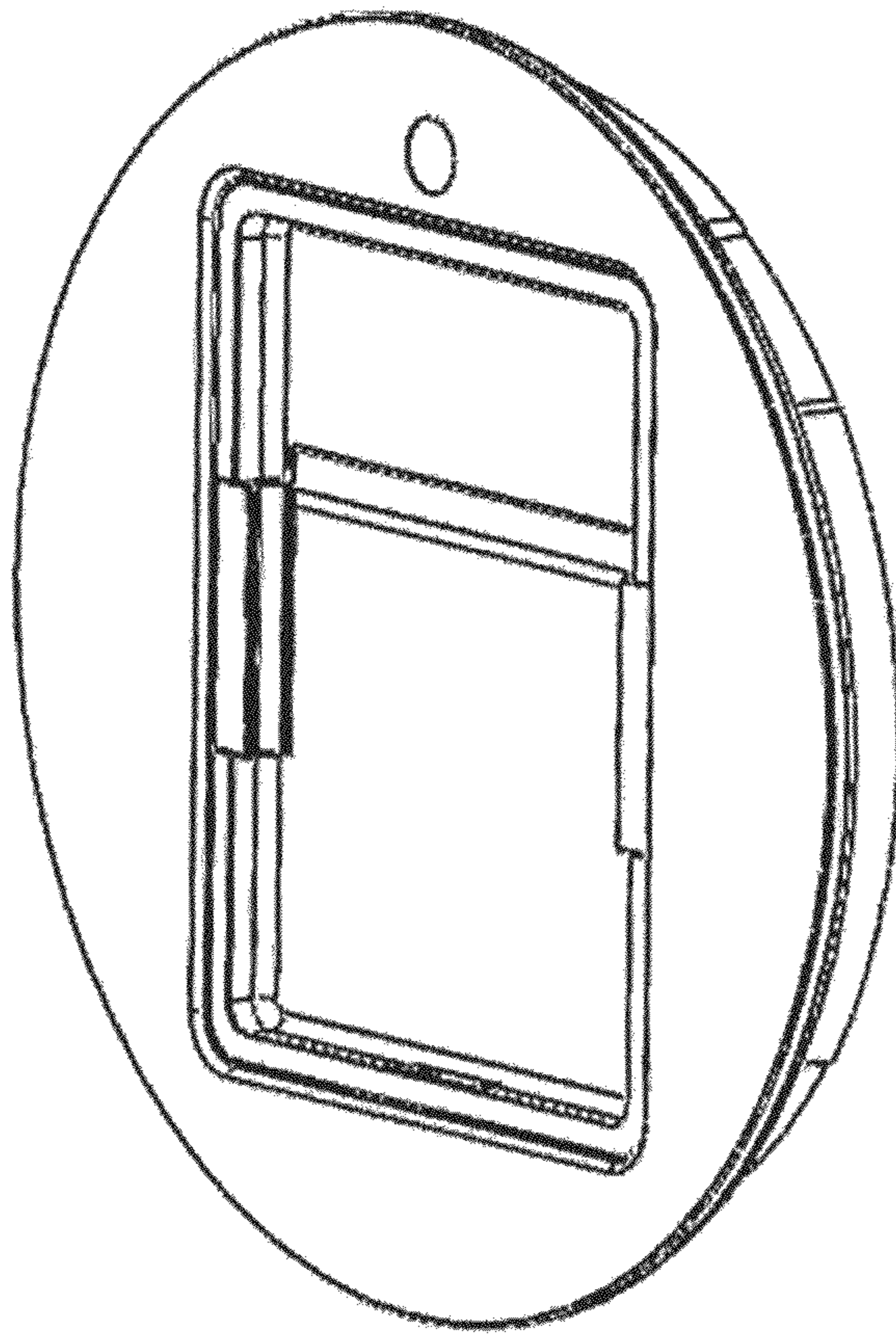


FIG. 1

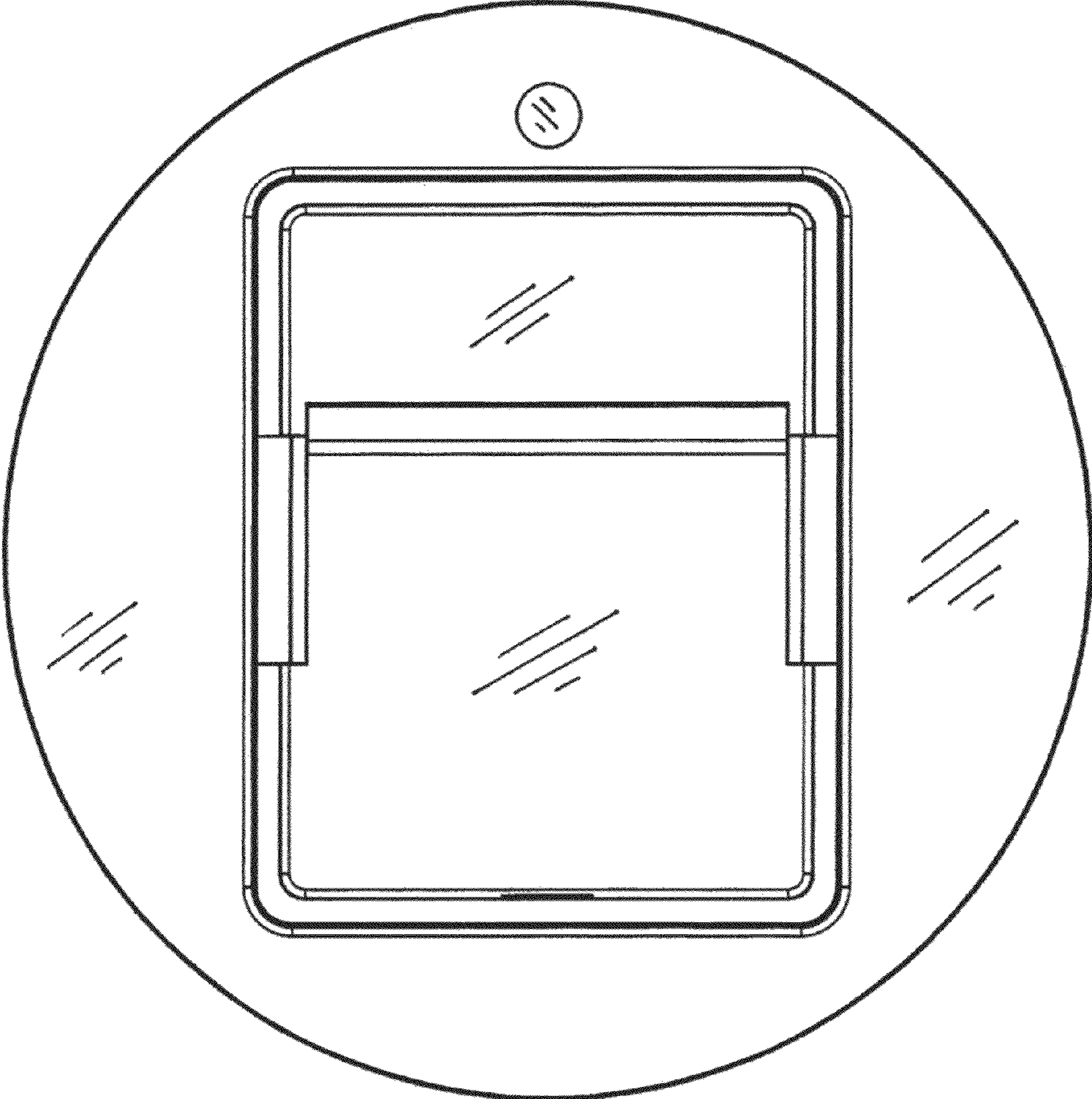


FIG. 2

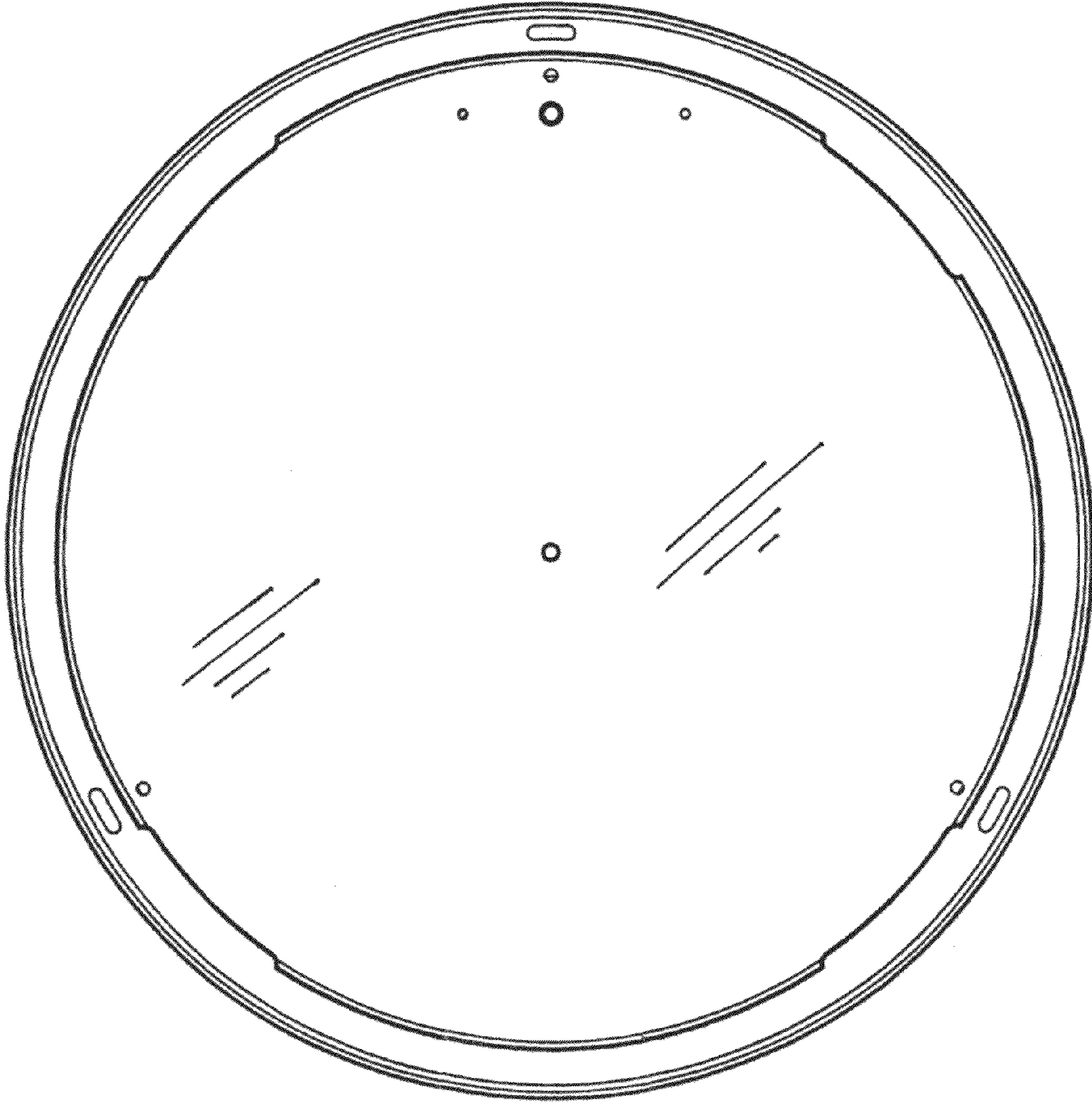


FIG. 3

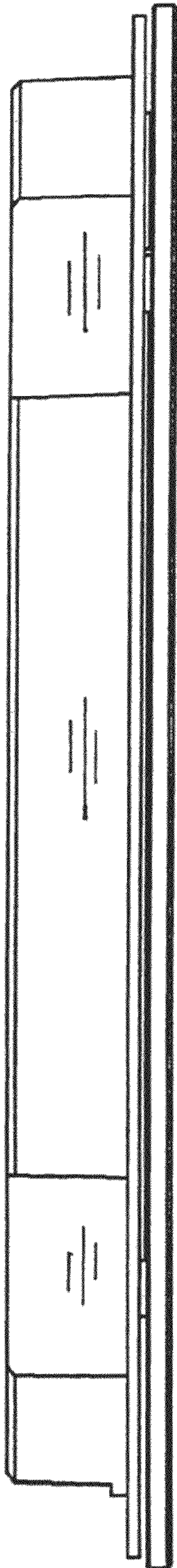


FIG. 4

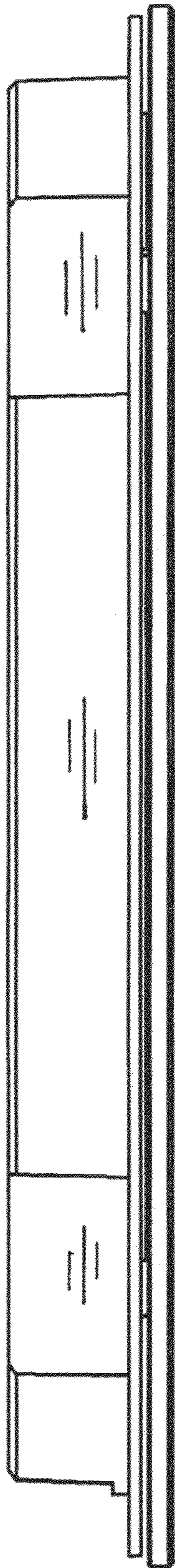


FIG. 5

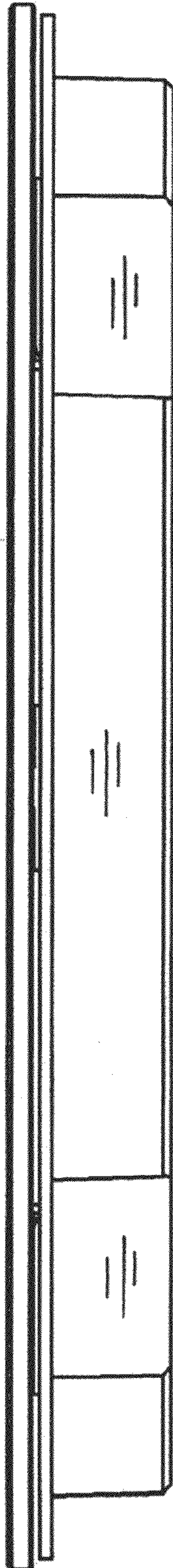


FIG. 6

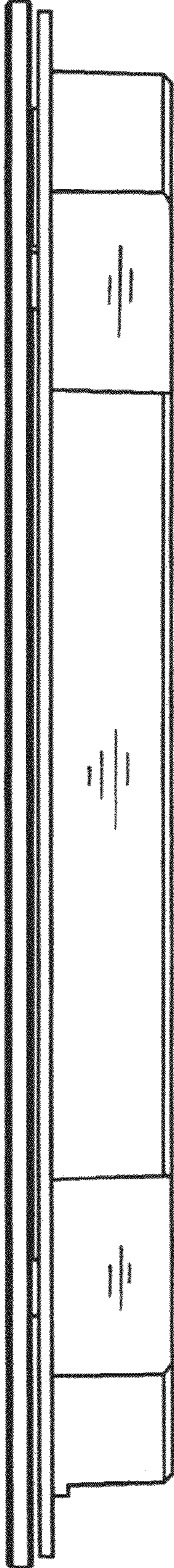


FIG. 7