



US00D721376S

(12) **United States Design Patent**
Lee

(10) **Patent No.:** **US D721,376 S**
(45) **Date of Patent:** **** Jan. 20, 2015**

(54) **STRAP CASE FOR ELECTRONIC DEVICE**

(71) Applicant: **Samsung Electronics Co., Ltd.**,
Suwon-si (KR)

(72) Inventor: **Jin-Sun Lee**, Gwangmyeong-Si (KR)

(73) Assignee: **Samsung Electronics Co., Ltd.**,
Suwon-si (KR)

(**) Term: **14 Years**

(21) Appl. No.: **29/453,633**

(22) Filed: **May 1, 2013**

(30) **Foreign Application Priority Data**

Nov. 2, 2012 (KR) 30-2012-0052392

(51) **LOC (10) Cl.** **14-02**

(52) **U.S. Cl.**
USPC **D14/440**

(58) **Field of Classification Search**

USPC D14/250, 138 AA, 138 AB, 138 AD,
D14/138 G, 217, 238.1, 240, 248, 251-253,
D14/318, 341, 345, 346, 356, 440, 496,
D14/203.3-203.5, 203.8; D13/103, 107,
D13/108; D3/201, 218, 247, 269, 273, 301,
D3/303, 215; 455/575.1, 575.8; 206/305,
206/320, 251, 45.2; 361/679.56;
379/433.11, 455

See application file for complete search history.

(56) **References Cited**

U.S. PATENT DOCUMENTS

D633,504 S * 3/2011 Alexander, Jr. D14/447
D642,579 S * 8/2011 Deutsch et al. D14/440
D665,810 S * 8/2012 Jones et al. D14/440
D671,938 S * 12/2012 Hsu et al. D14/341
D673,958 S * 1/2013 Fathollahi D14/440
D674,393 S * 1/2013 Behar et al. D14/440
D690,703 S * 10/2013 Welch et al. D14/440
D695,298 S * 12/2013 Han et al. D14/440

D700,610 S * 3/2014 Deutsch et al. D14/440
8,690,210 B1 * 4/2014 May 294/25
D706,782 S * 6/2014 Dresser, III D14/440
D708,620 S * 7/2014 Holmes et al. D14/440
D709,509 S * 7/2014 Kim D14/440
D711,886 S * 8/2014 Kerawala et al. D14/440
D712,413 S * 9/2014 Fukai D14/440
2004/0226973 A1 * 11/2004 Kao 224/218
2009/0219677 A1 * 9/2009 Mori et al. 361/679.03
2011/0267748 A1 * 11/2011 Lane et al. 361/679.01
2012/0091312 A1 * 4/2012 Baker 248/682
2013/0140312 A1 * 6/2013 Lane et al. 220/315

* cited by examiner

Primary Examiner — Deanna L Pratt

Assistant Examiner — Lilyana Bekic

(74) *Attorney, Agent, or Firm* — NSIP Law

(57) **CLAIM**

The ornamental design for a strap case for an electronic device, as shown and described.

DESCRIPTION

FIG. 1 is a perspective view of a strap case for an electronic device, showing my new design;
FIG. 2 is a front view thereof;
FIG. 3 is a rear view thereof;
FIG. 4 is a left-side view thereof;
FIG. 5 is a right-side view thereof;
FIG. 6 is a top plan view thereof;
FIG. 7 is a bottom plan view thereof;
FIG. 8 is another front view thereof, showing a strap rotated on a hinge;
FIG. 9 is another right-side view thereof, showing a strap rotated on a hinge; and,
FIG. 10 is another perspective view thereof, showing a hand in broken lines illustrating an example environment.
The broken line showing of the hand in FIG. 10 illustrates the environment of the claimed design and forms no part thereof. The shade lines in the figures illustrate contour and not surface ornamentation.

1 Claim, 8 Drawing Sheets

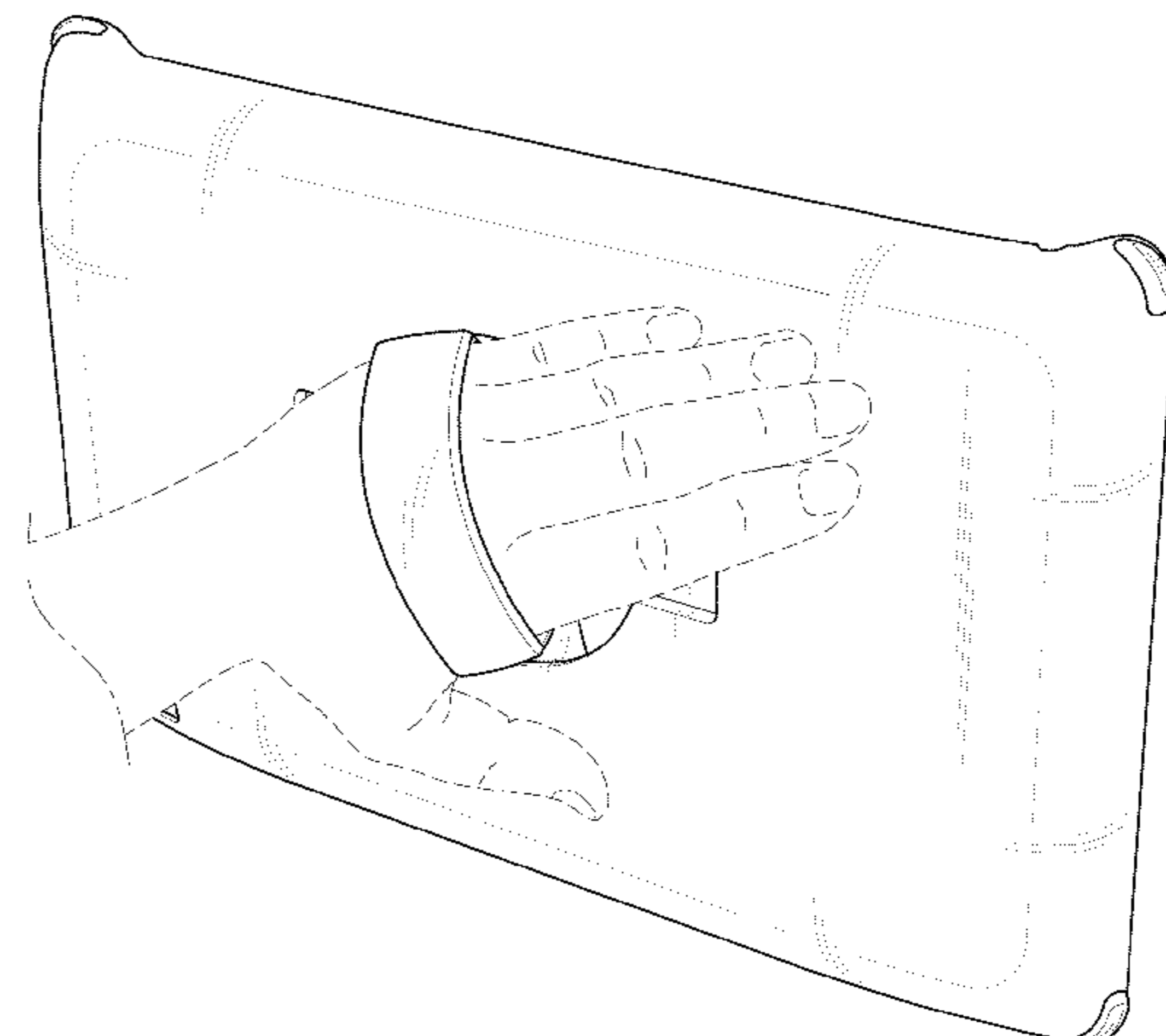
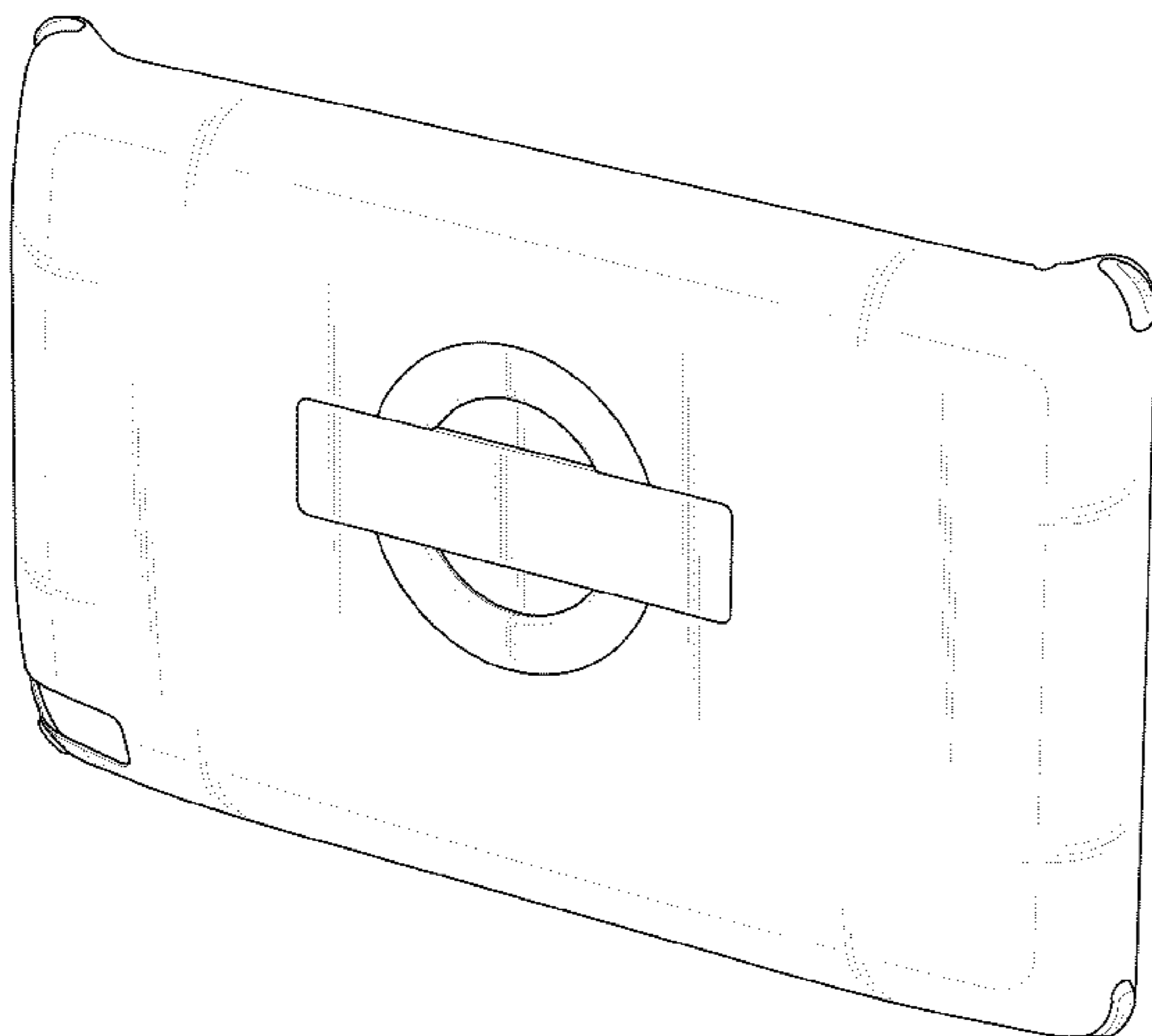


FIG. 1

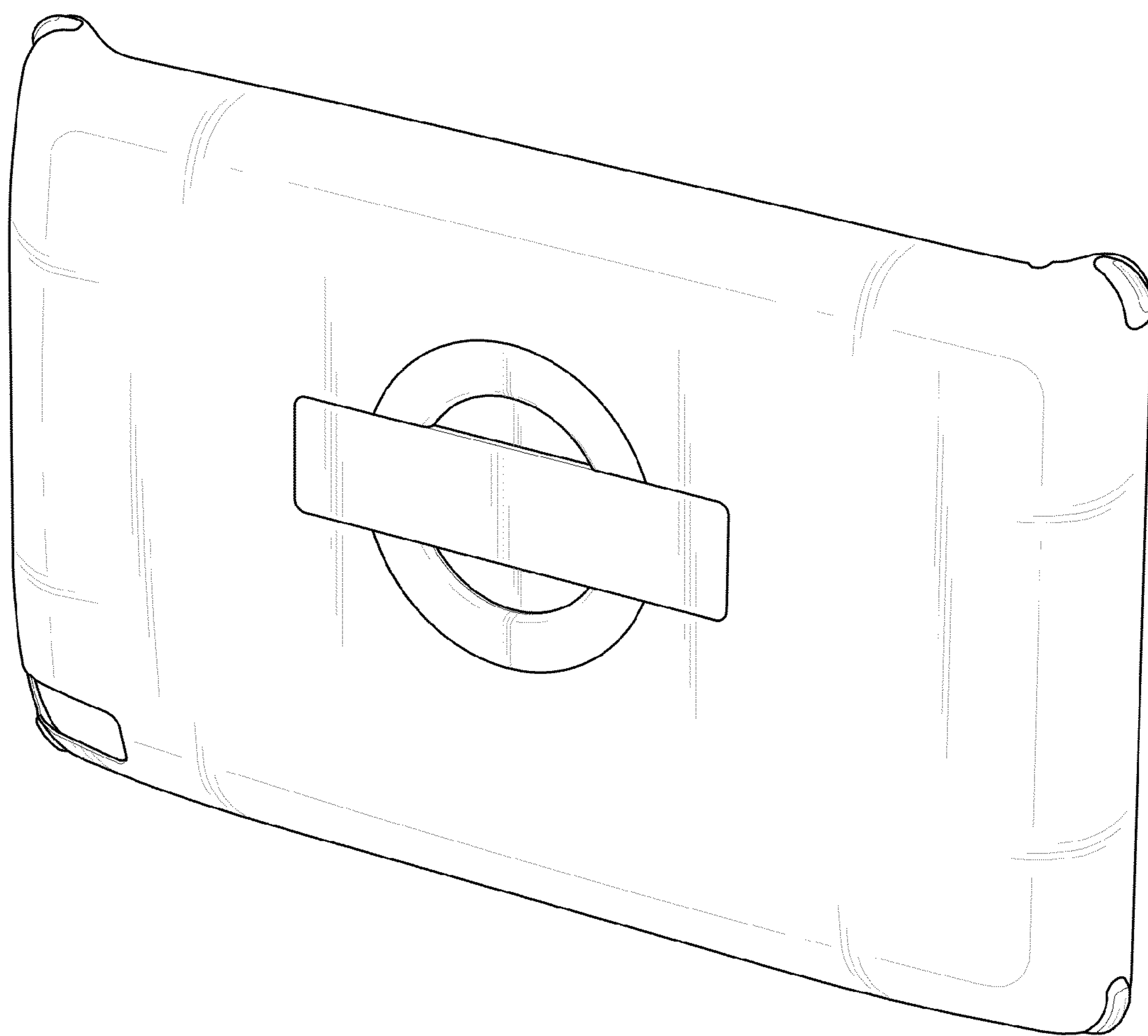


FIG. 2

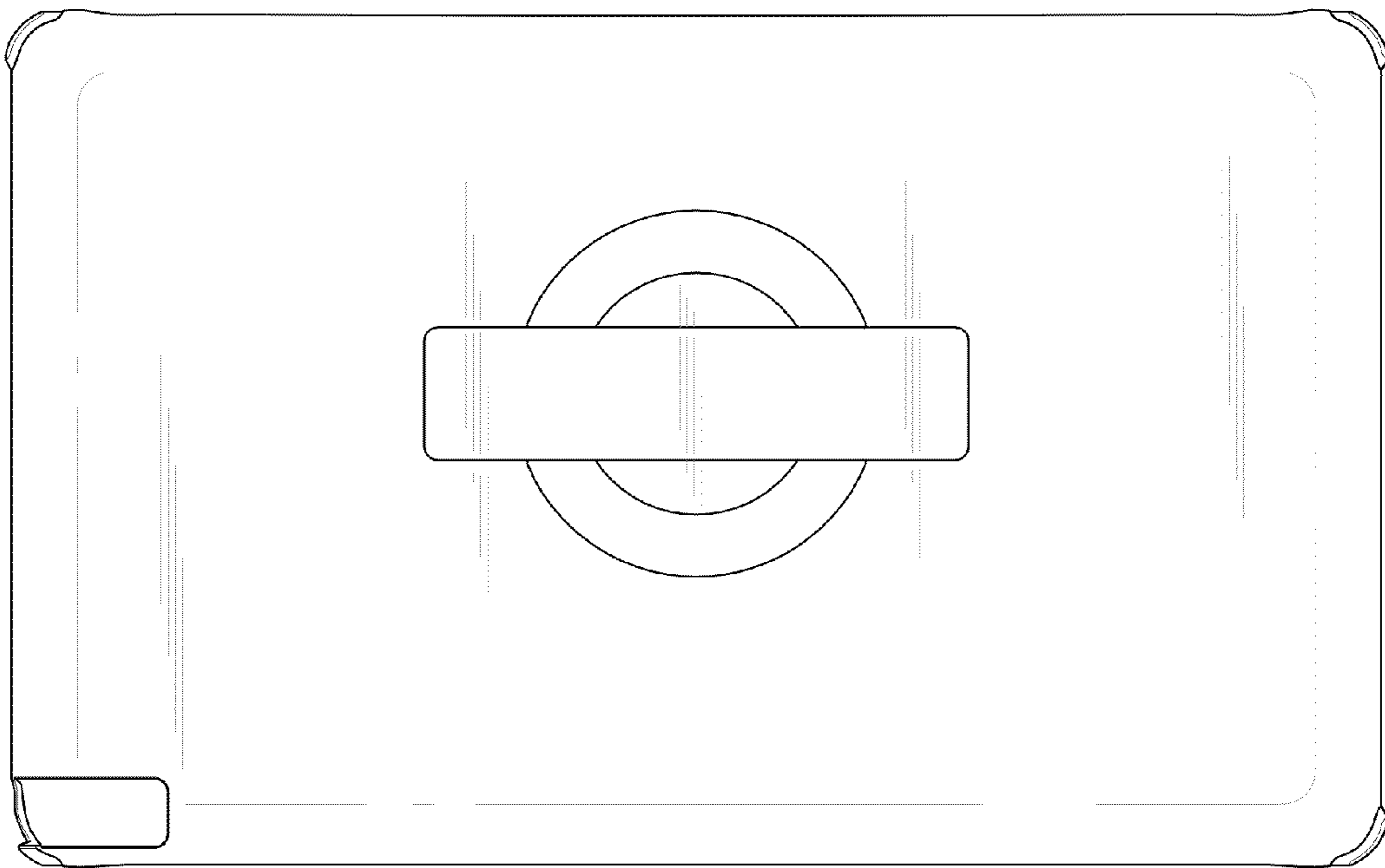


FIG. 3

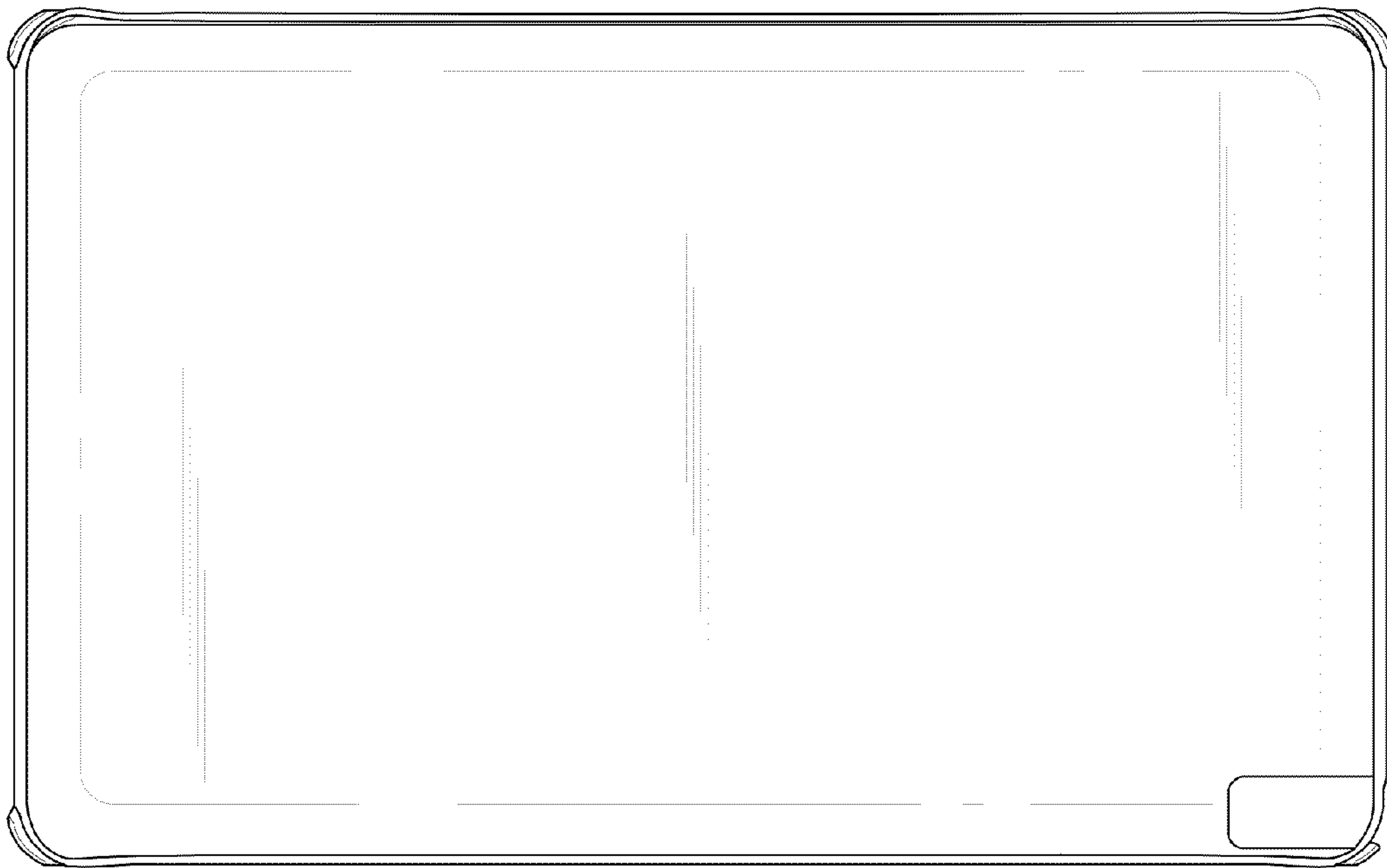


FIG. 4

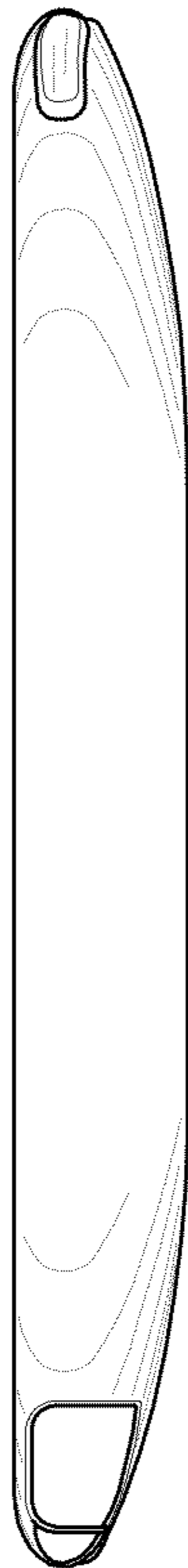


FIG. 5

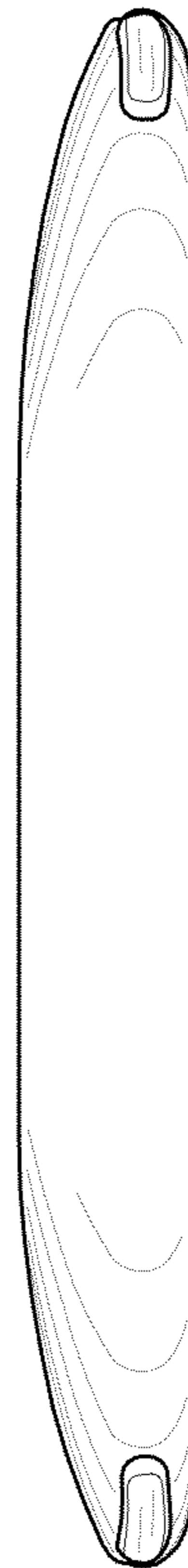


FIG. 6

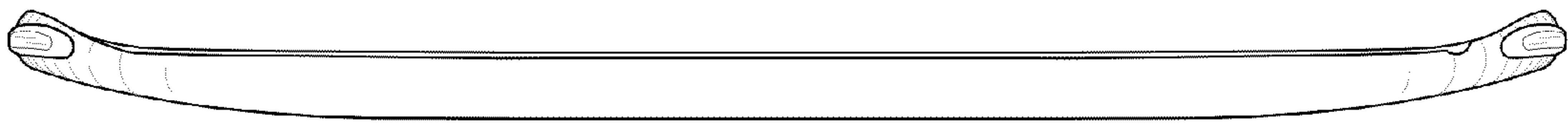


FIG. 7

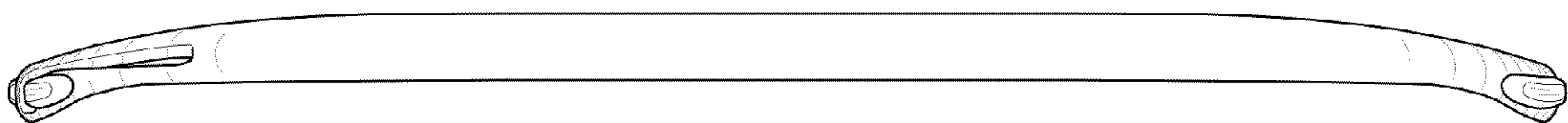


FIG. 8

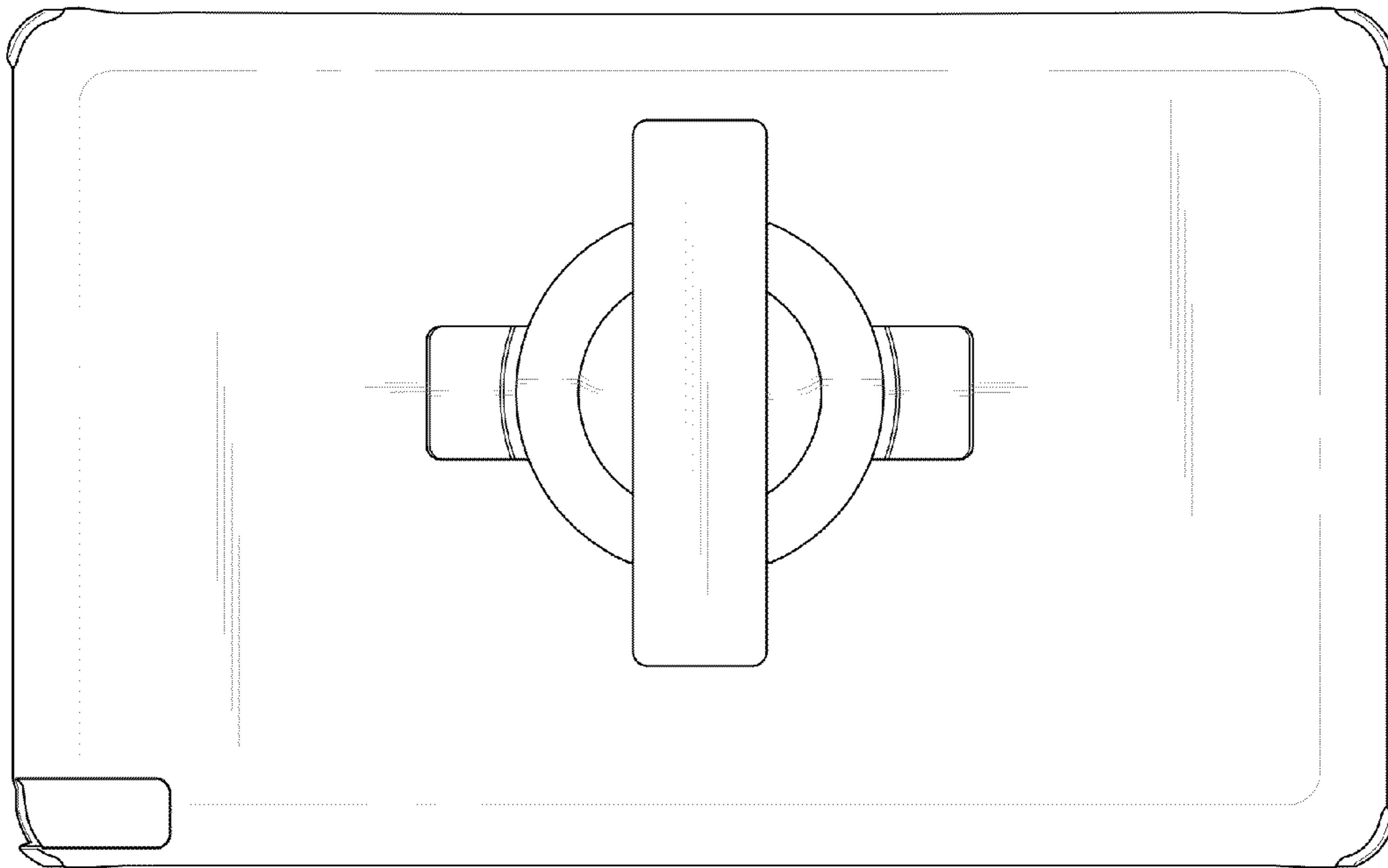


FIG. 9

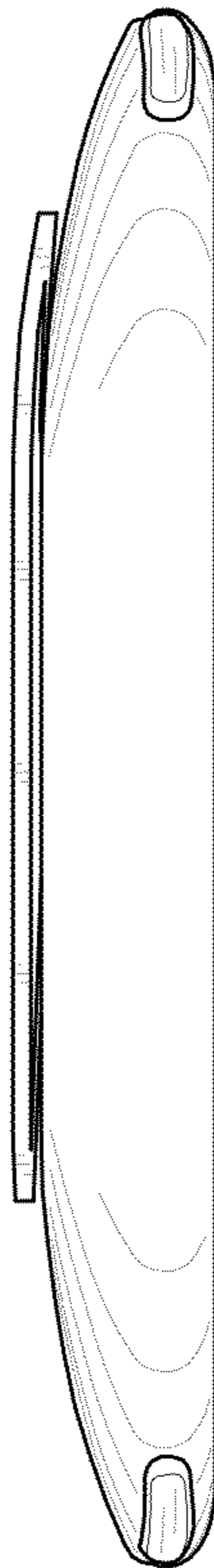


FIG. 10

