



US00D721366S

(12) **United States Design Patent**
Kim et al.

(10) **Patent No.:** **US D721,366 S**
(45) **Date of Patent:** **** Jan. 20, 2015**

(54) **KEYBOARD**

(71) Applicant: **Microsoft Corporation**, Redmond, WA (US)

(72) Inventors: **Young Soo Kim**, Seattle, WA (US);
James Iming Tsai, Redmond, WA (US)

(73) Assignee: **Microsoft Corporation**, Redmond, WA (US)

(**) Term: **14 Years**

(21) Appl. No.: **29/459,449**

(22) Filed: **Jun. 28, 2013**

(51) **LOC (10) Cl.** **14-02**

(52) **U.S. Cl.**
USPC **D14/393**

(58) **Field of Classification Search**
CPC H01H 13/84; H01H 2225/022
USPC D14/391-399, 455, 457, 460, 461, 459,
D14/432; D18/12; 235/145 A, 145 R;
248/118, 118.1, 118.3, 118.5, 346.01,
248/917-924; 345/168, 160; 341/22, 23;
D6/601; 400/489, 689-693, 715
See application file for complete search history.

(56) **References Cited**

U.S. PATENT DOCUMENTS

D357,011 S *	4/1995	Paull et al.	D14/393
D357,476 S *	4/1995	Paull et al.	D14/393
D362,432 S *	9/1995	Paull et al.	D14/393
D375,088 S *	10/1996	Tsai	D14/393
D386,169 S *	11/1997	Wang	D14/393
D387,050 S *	12/1997	Chen	D14/393
5,739,776 A *	4/1998	Chen	341/22
D397,105 S *	8/1998	Chen	D14/393
D422,273 S *	4/2000	Lee	D14/393
D428,888 S	8/2000	Ledbetter et al.		
D442,589 S	5/2001	Ledbetter et al.		
D450,056 S	11/2001	Ledbetter et al.		
D468,320 S *	1/2003	Jones et al.	D14/455

D510,578 S	10/2005	Ohta		
D531,184 S	10/2006	O'Neil et al.		
D546,828 S	7/2007	O'Neil et al.		
D546,829 S	7/2007	O'Neil et al.		
D546,831 S	7/2007	O'Neil et al.		
7,338,224 B2 *	3/2008	Jones et al.	400/489
D590,397 S	4/2009	O'Neill et al.		
D619,590 S	7/2010	Chatterjee et al.		
D624,916 S	10/2010	Chatterjee et al.		
D626,127 S	10/2010	Odell et al.		

* cited by examiner

Primary Examiner — Deanna L Pratt

Assistant Examiner — Harold Blackwell, II

(74) *Attorney, Agent, or Firm* — Banner & Witcoff, Ltd.

(57) **CLAIM**

The ornamental design for a keyboard, as shown and described.

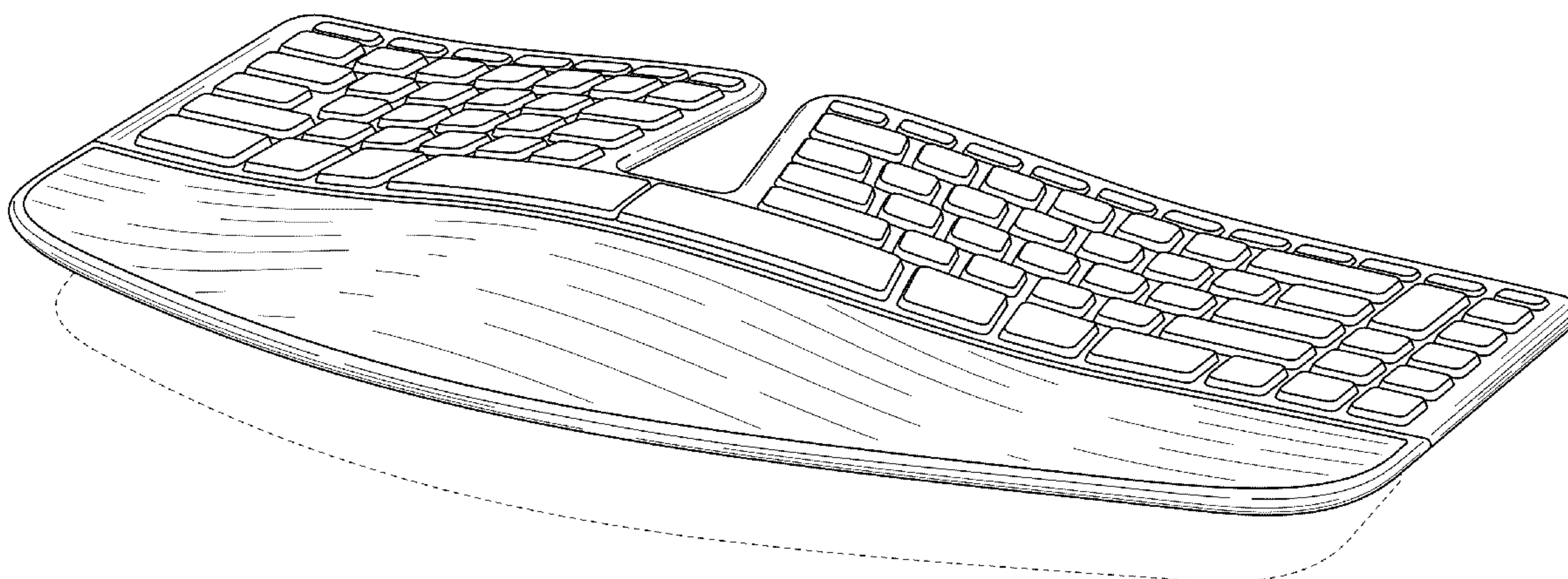
DESCRIPTION

FIG. 1 is a front perspective view of a keyboard showing our new design;
 FIG. 2 is a rear view thereof;
 FIG. 3 is a front view thereof;
 FIG. 4 is a right side view thereof;
 FIG. 5 is a left side view thereof;
 FIG. 6 is a top plan view thereof;
 FIG. 7 is a bottom view thereof;
 FIG. 8 is a front perspective view of a keyboard shown of FIGS. 1-7 without surface shading;
 FIG. 9 is a rear view thereof;
 FIG. 10 is a front view thereof;
 FIG. 11 is a right side view thereof;
 FIG. 12 is a left side view thereof;
 FIG. 13 is a top plan view thereof; and,
 FIG. 14 is a bottom view thereof.

The broken lines in the drawings illustrate portions of the keyboard which form no part of the claimed design.

The line shading represents surface contour shape and does not represent surface ornamentation.

1 Claim, 10 Drawing Sheets



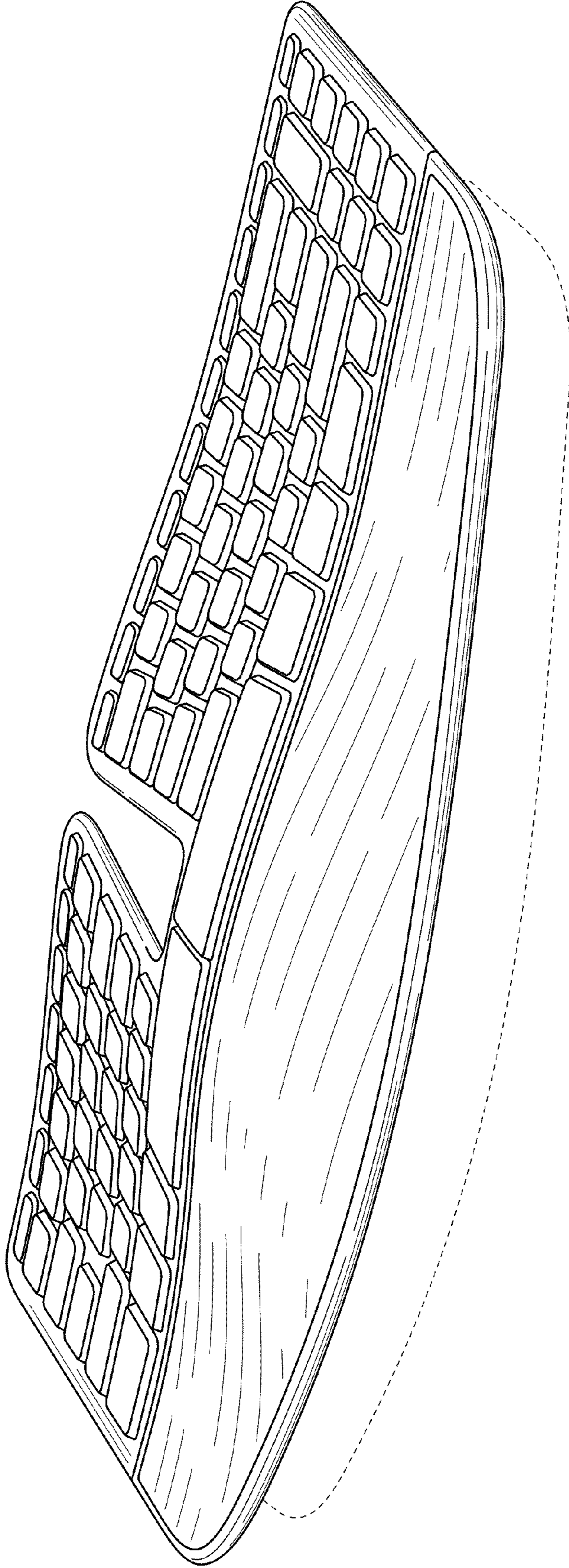


FIG. 1

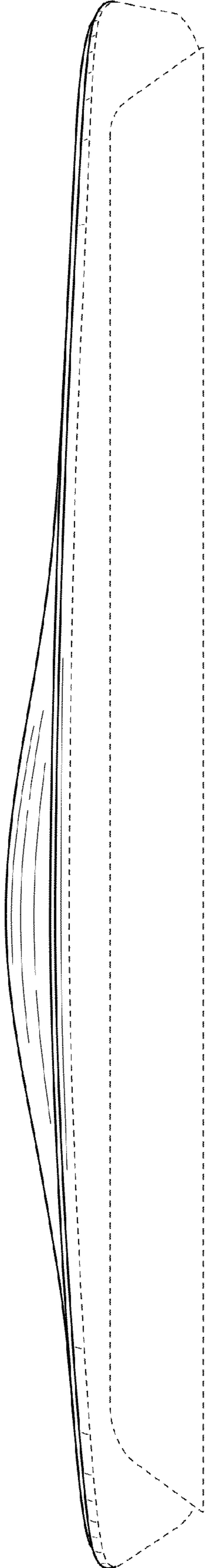


FIG. 2

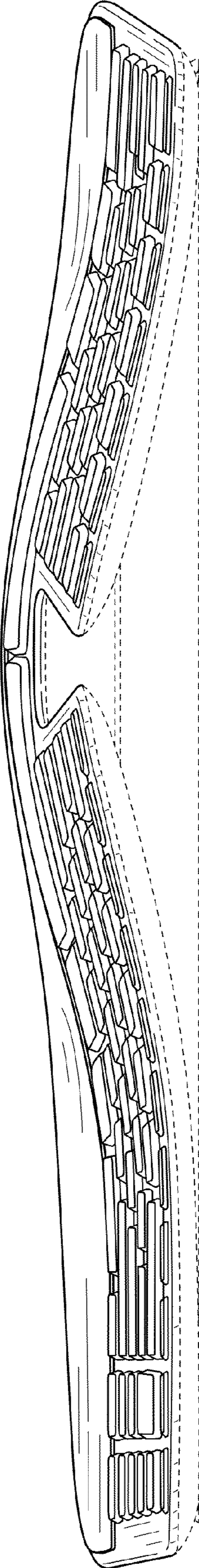


FIG. 3

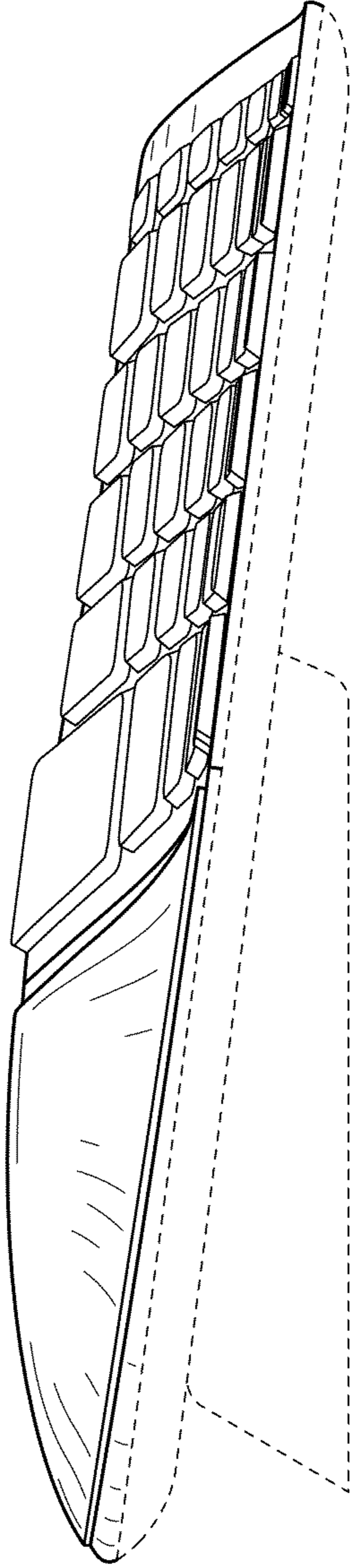


FIG. 4

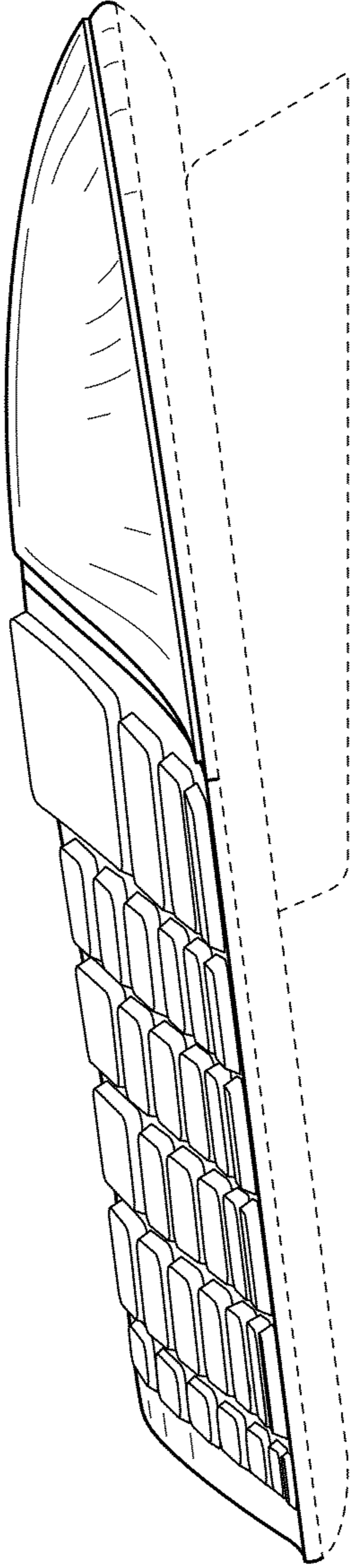


FIG. 5

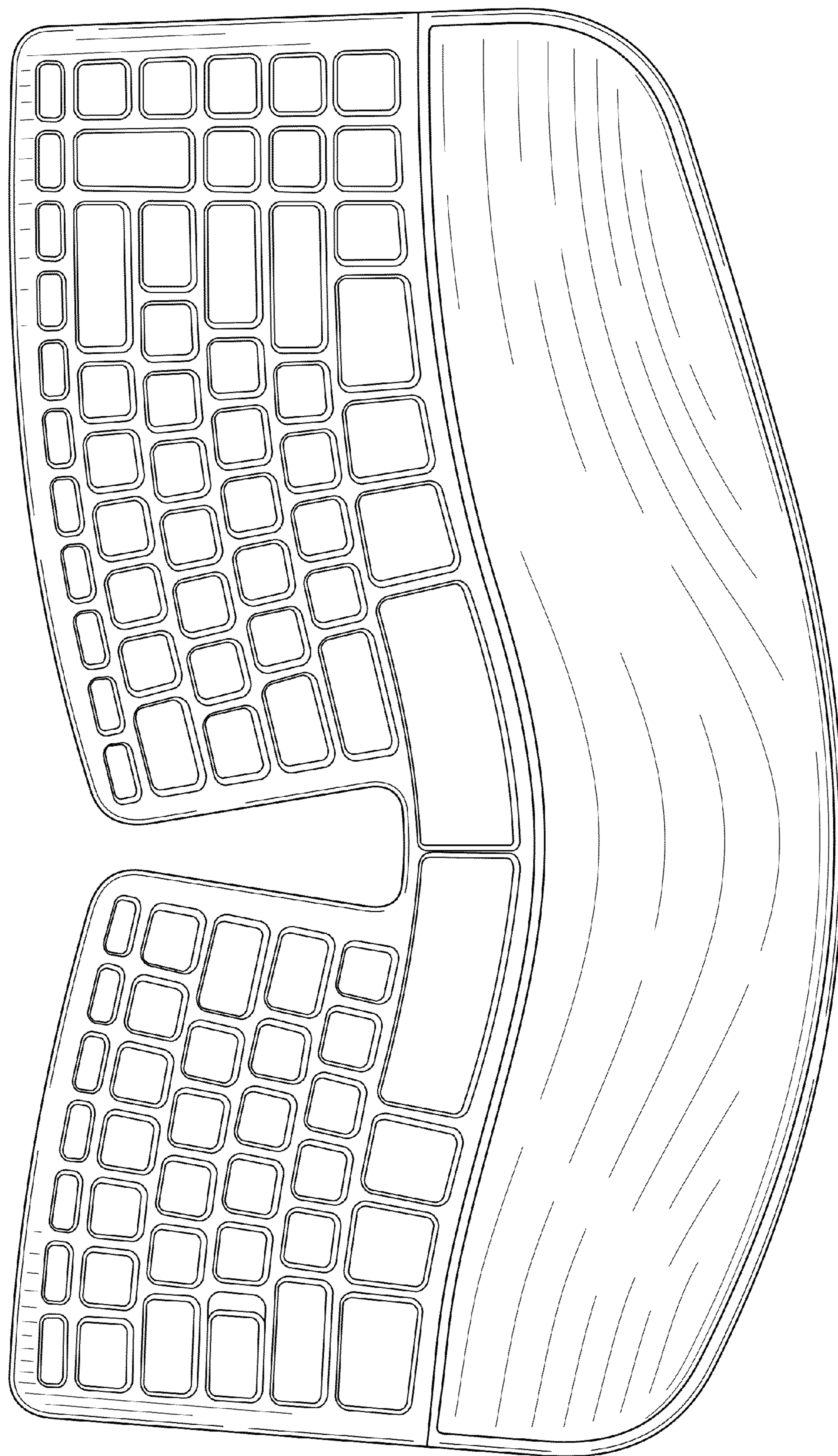


FIG. 6

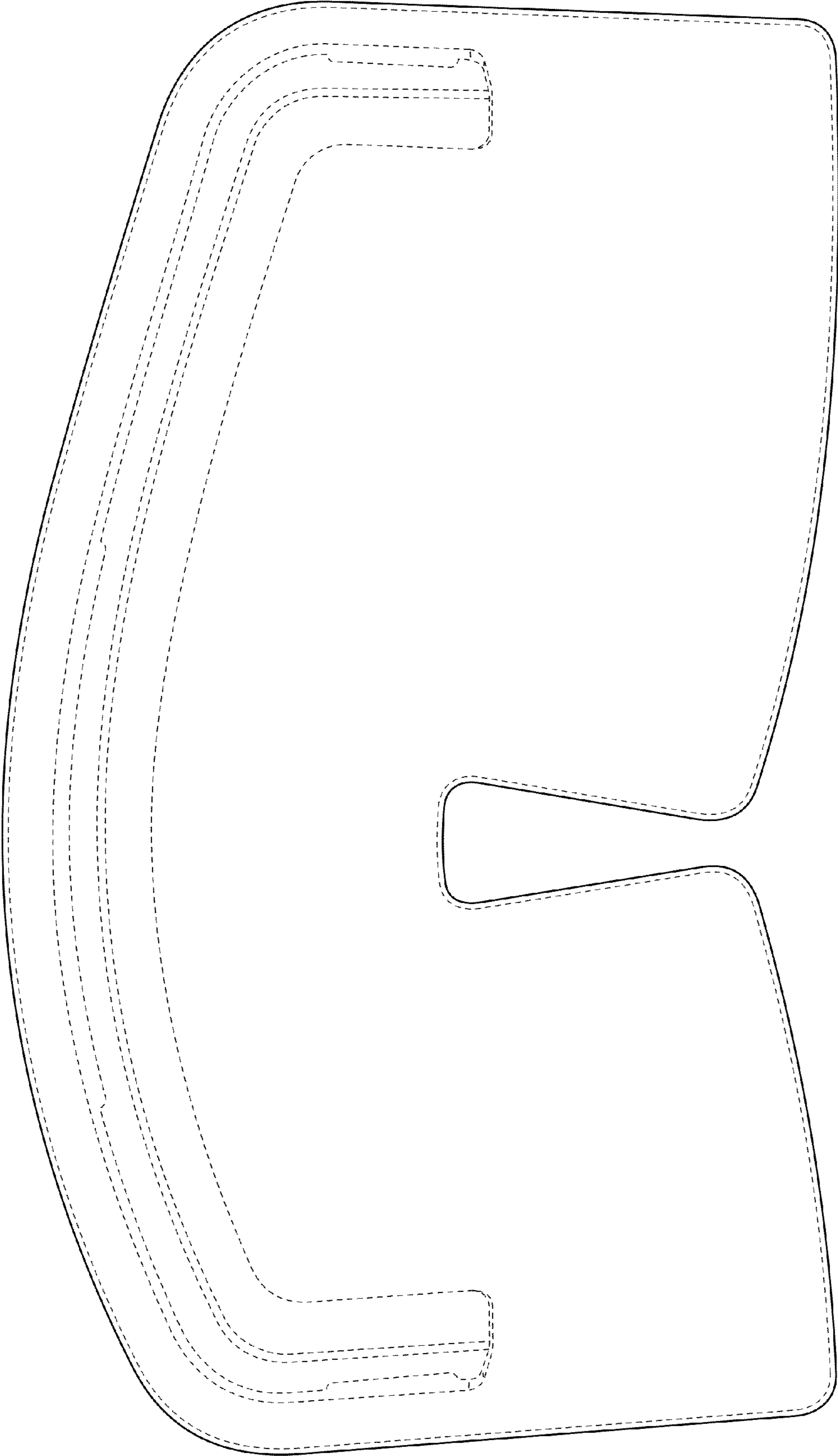


FIG. 7

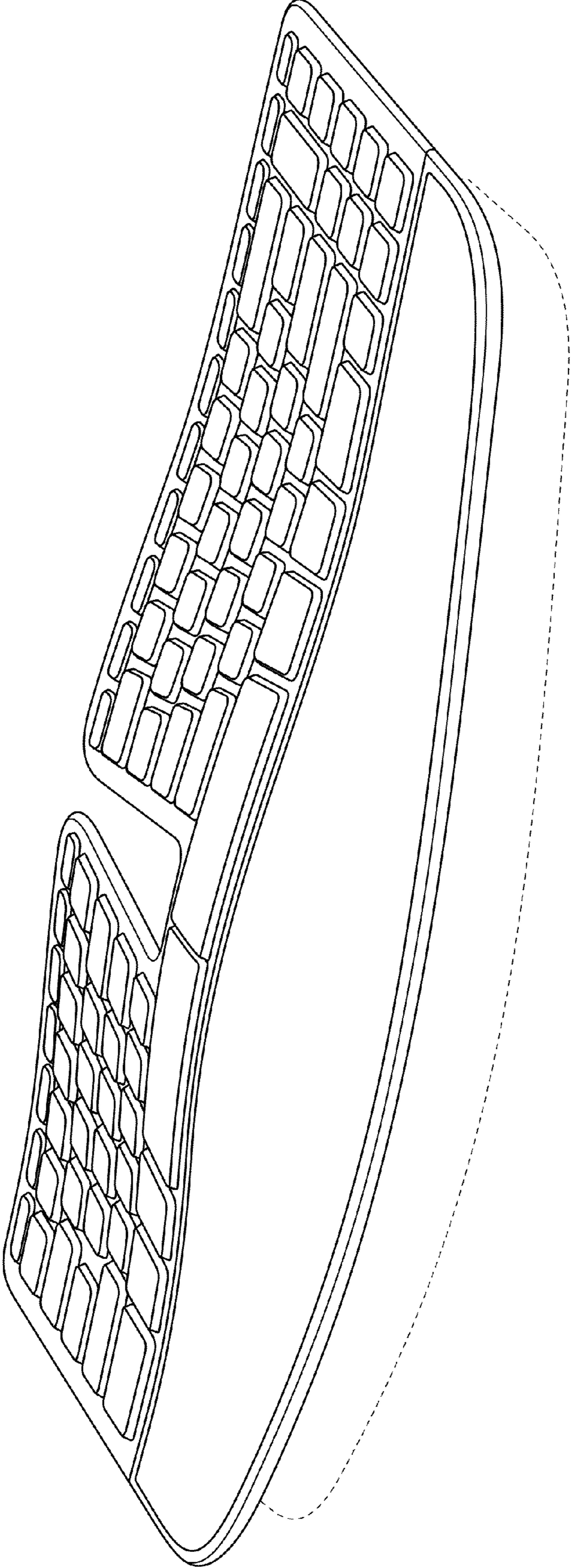


FIG. 8

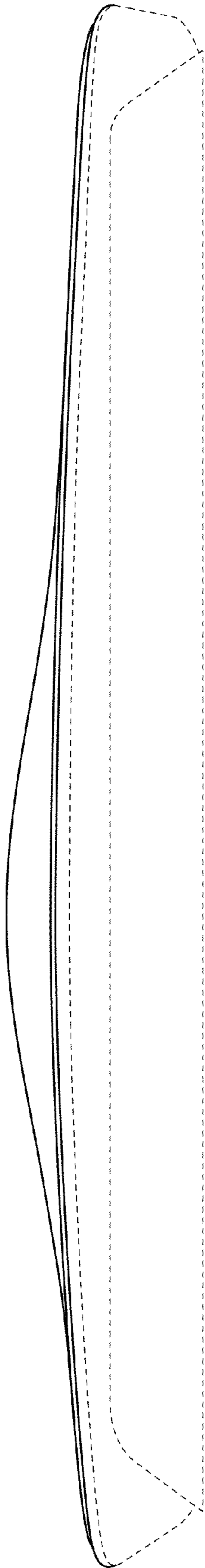


FIG. 9

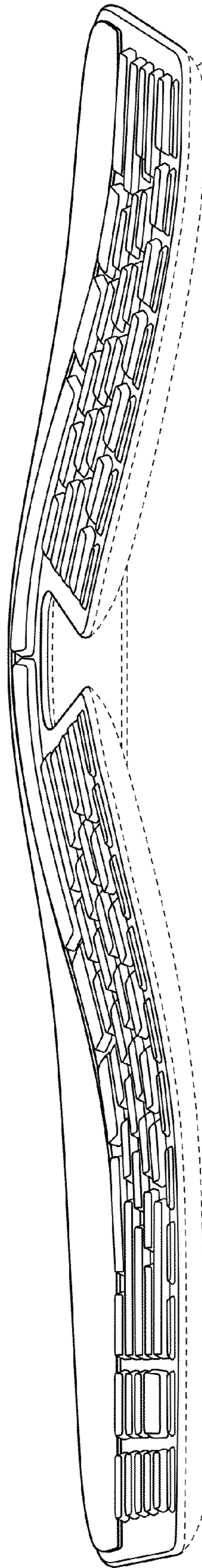


FIG. 10

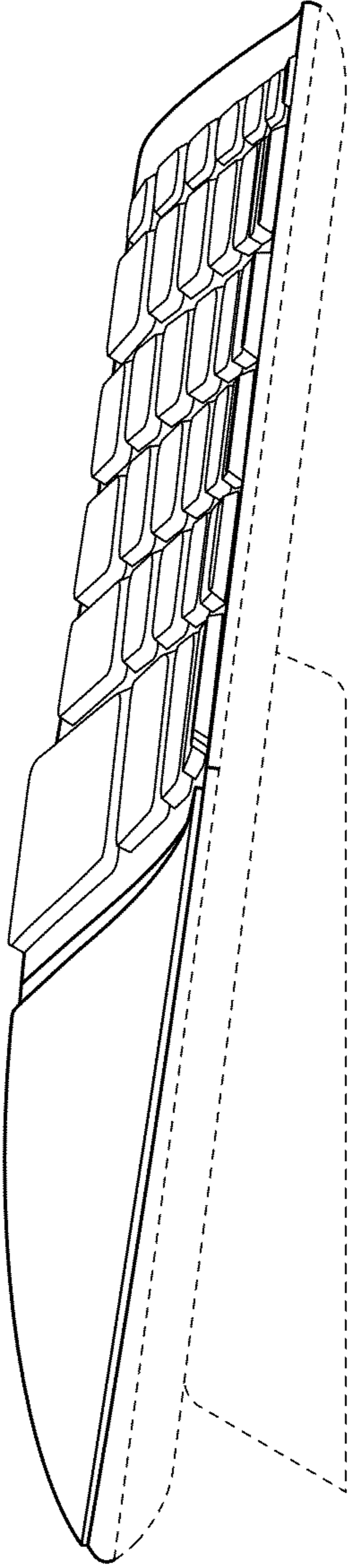


FIG. 11

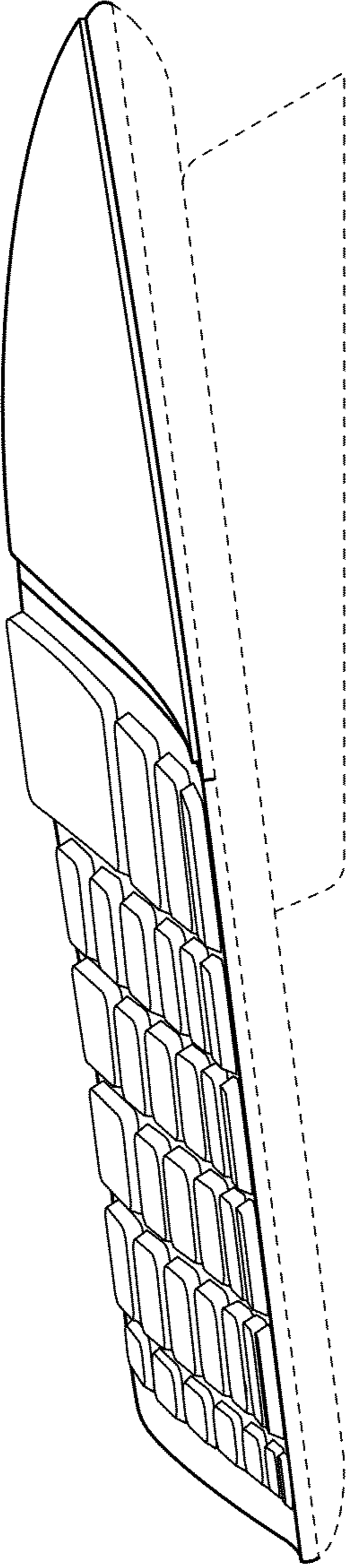


FIG. 12

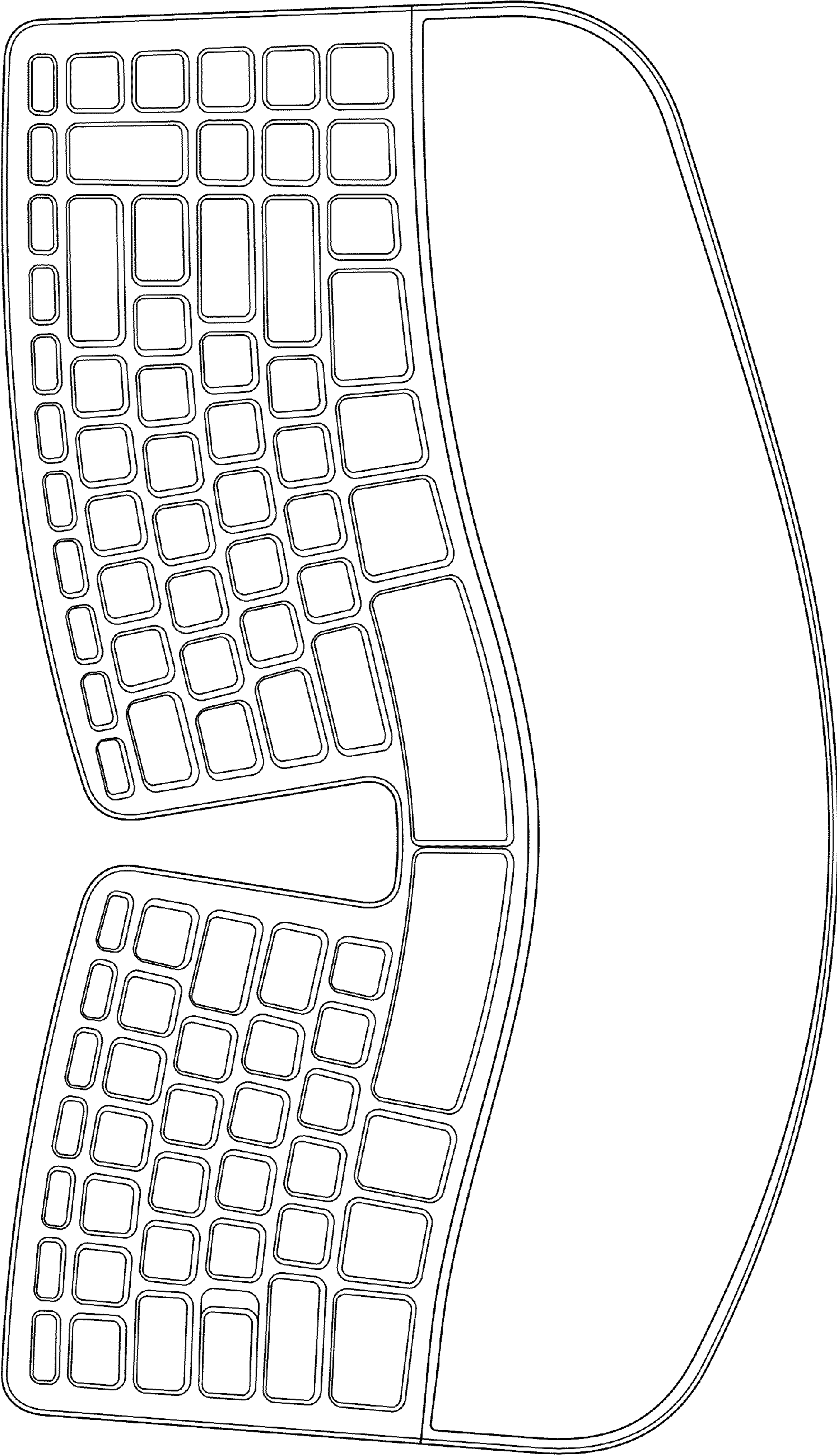


FIG. 13

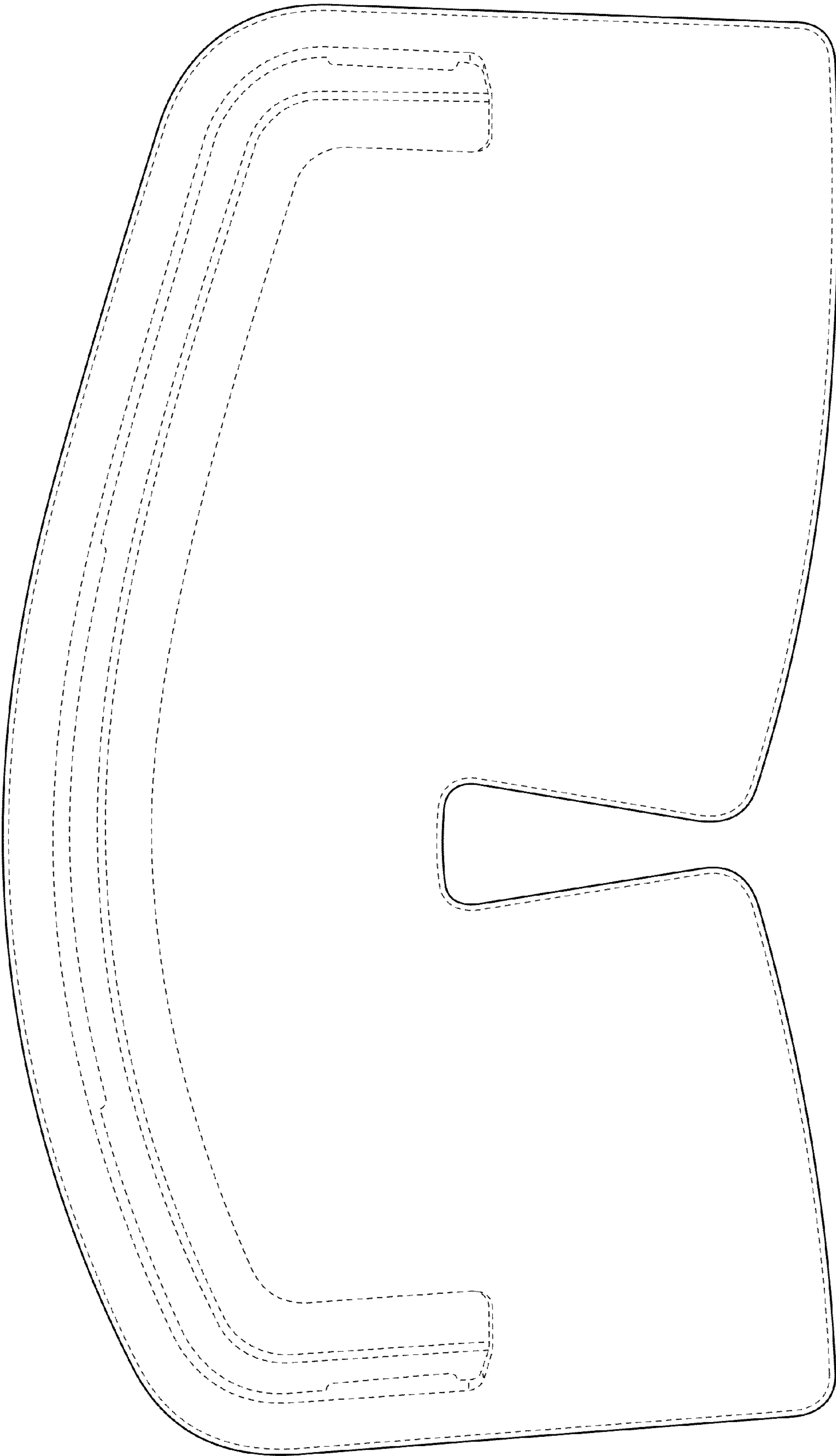


FIG. 14