



US00D721365S

(12) **United States Design Patent**
Kim et al.

(10) **Patent No.:** **US D721,365 S**
(45) **Date of Patent:** **** Jan. 20, 2015**

(54) **KEYBOARD**

(71) Applicant: **Microsoft Corporation**, Redmond, WA (US)

(72) Inventors: **Young Soo Kim**, Seattle, WA (US);
James Iming Tsai, Redmond, WA (US)

(73) Assignee: **Microsoft Corporation**, Redmond, WA (US)

(**) Term: **14 Years**

(21) Appl. No.: **29/459,448**

(22) Filed: **Jun. 28, 2013**

(51) **LOC (10) Cl.** **14-02**

(52) **U.S. Cl.**
USPC **D14/393**

(58) **Field of Classification Search**
CPC H01H 2225/022; H01H 13/84
USPC D14/391-399, 455, 457, 460, 461, 459,
D14/432; D18/12; 235/145 A, 145 R;
345/168, 160; 341/22, 23; D6/601;
400/489, 689-693, 715
See application file for complete search history.

(56) **References Cited**

U.S. PATENT DOCUMENTS

D357,011 S *	4/1995	Paull et al.	D14/393
D357,476 S *	4/1995	Paull et al.	D14/393
D362,432 S *	9/1995	Paull et al.	D14/393
D375,088 S *	10/1996	Tsai	D14/393
D386,169 S *	11/1997	Wang	D14/393
D387,050 S *	12/1997	Chen	D14/393
5,739,776 A *	4/1998	Chen	341/22
D397,105 S *	8/1998	Chen	D14/393
D422,273 S *	4/2000	Lee	D14/393
D428,888 S	8/2000	Ledbetter et al.		
D442,589 S	5/2001	Ledbetter et al.		
D450,056 S	11/2001	Ledbetter et al.		
D468,320 S *	1/2003	Jones et al.	D14/455

D510,578 S	10/2005	Ohta		
D531,184 S	10/2006	O'Neil et al.		
D546,828 S	7/2007	O'Neil et al.		
D546,829 S	7/2007	O'Neil et al.		
D546,831 S	7/2007	O'Neil et al.		
7,338,224 B2 *	3/2008	Jones et al.	400/489
D590,397 S	4/2009	O'Neill et al.		
D619,590 S	7/2010	Chatterjee et al.		
D624,916 S	10/2010	Chatterjee et al.		
D626,127 S	10/2010	Odell et al.		

* cited by examiner

Primary Examiner — Deanna L Pratt

Assistant Examiner — Harold Blackwell, II

(74) *Attorney, Agent, or Firm* — Banner & Witcoff, Ltd.

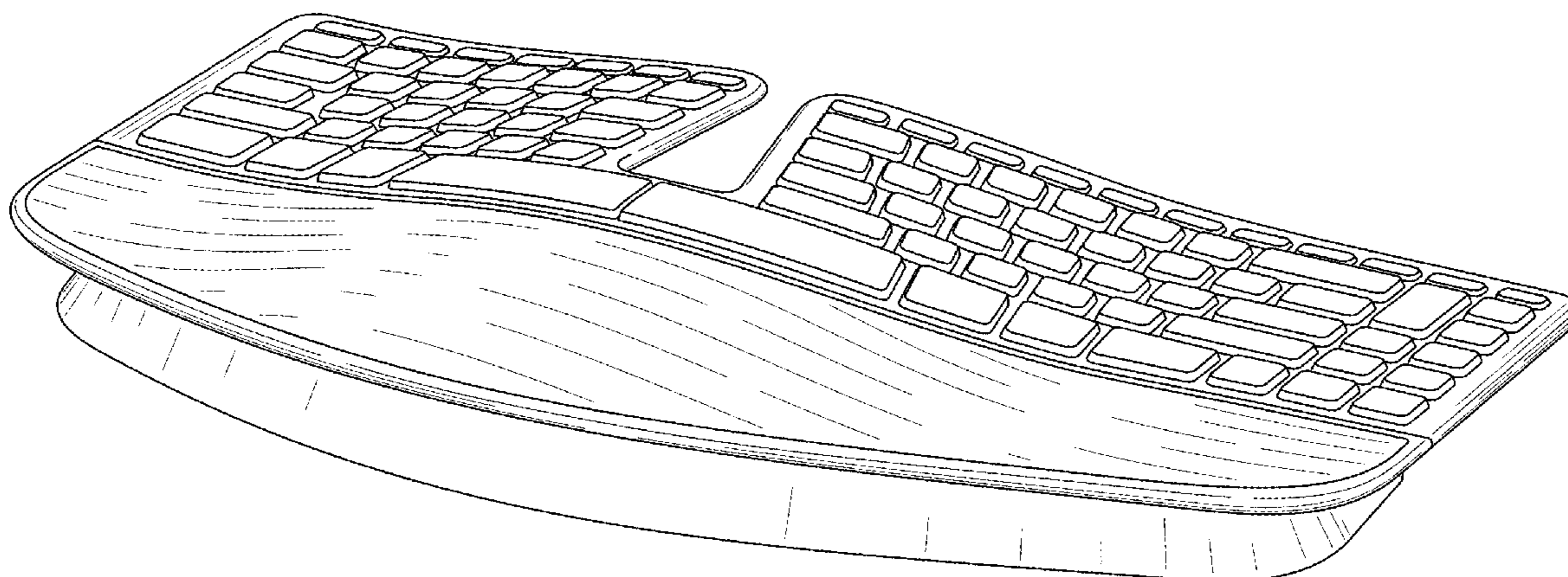
(57) **CLAIM**

The ornamental design for a keyboard, as shown and described.

DESCRIPTION

FIG. 1 is a front perspective view of a keyboard showing our new design;
FIG. 2 is a rear view thereof;
FIG. 3 is a front view thereof;
FIG. 4 is a right side view thereof;
FIG. 5 is a left side view thereof;
FIG. 6 is a top plan view thereof;
FIG. 7 is a bottom view thereof;
FIG. 8 is a front perspective view of a keyboard shown of FIGS. 1-7 without surface shading;
FIG. 9 is a rear view thereof;
FIG. 10 is a front view thereof;
FIG. 11 is a right side view thereof;
FIG. 12 is a left side view thereof;
FIG. 13 is a top plan view thereof; and,
FIG. 14 is a bottom view thereof.
The line shading represents surface contour shape and does not represent surface ornamentation.

1 Claim, 10 Drawing Sheets



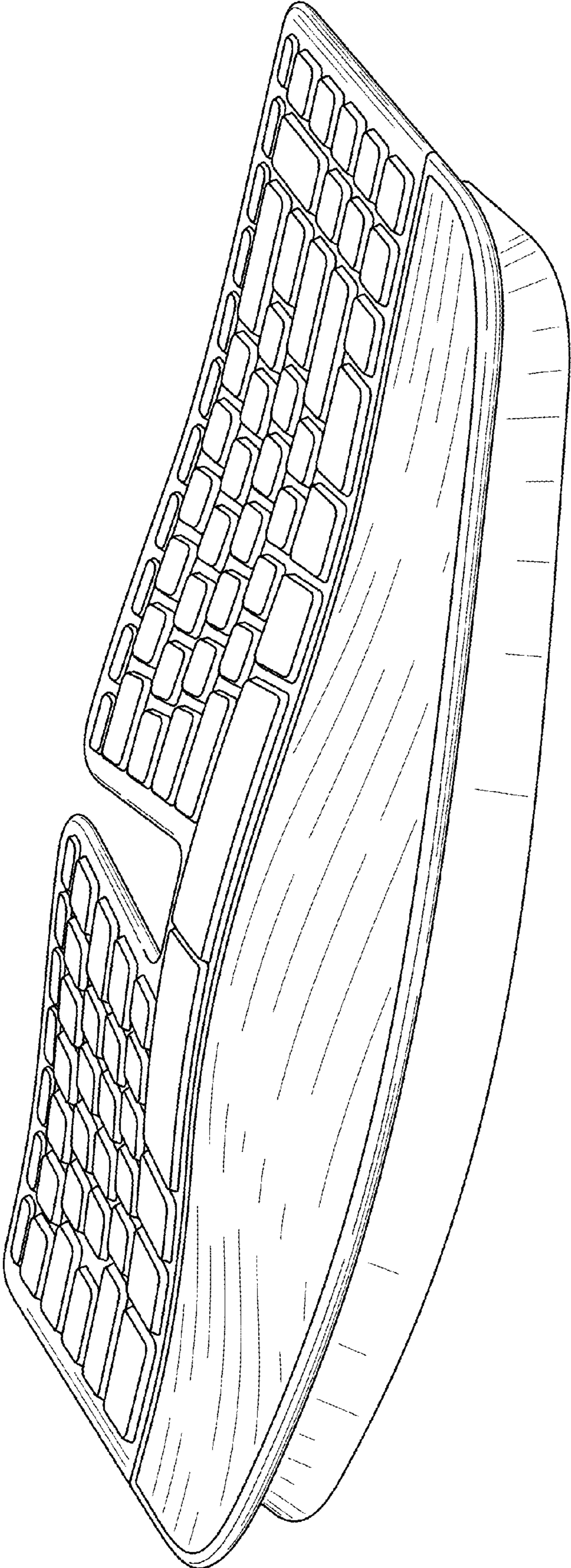


FIG. 1

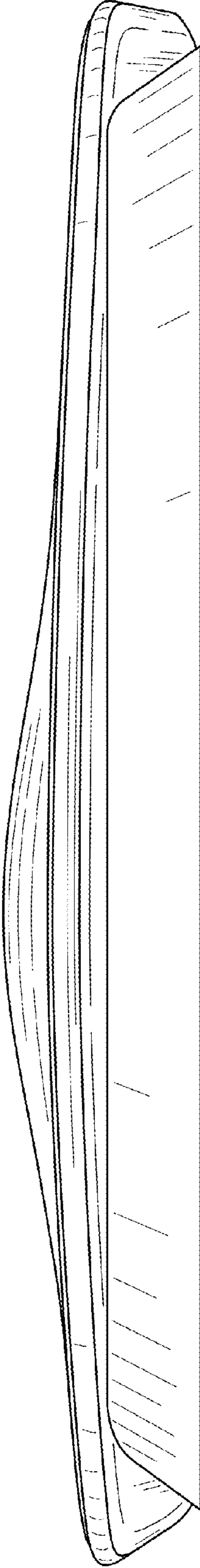


FIG. 2

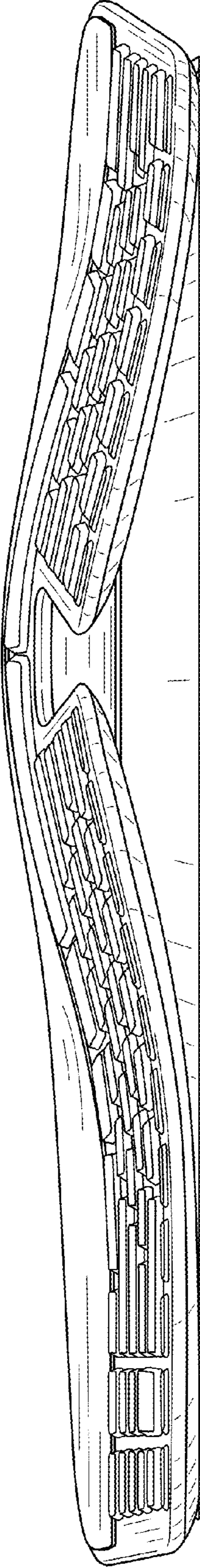


FIG. 3

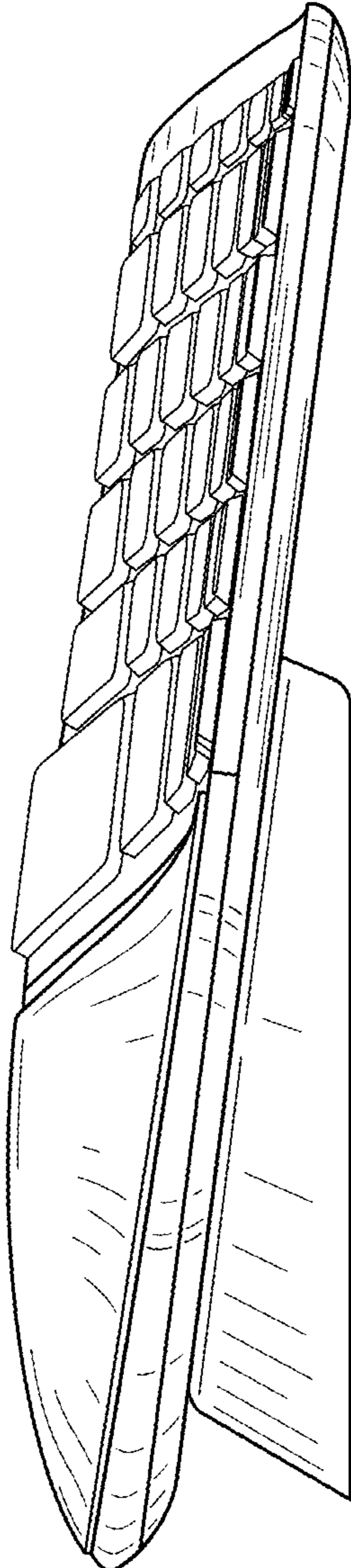


FIG. 4

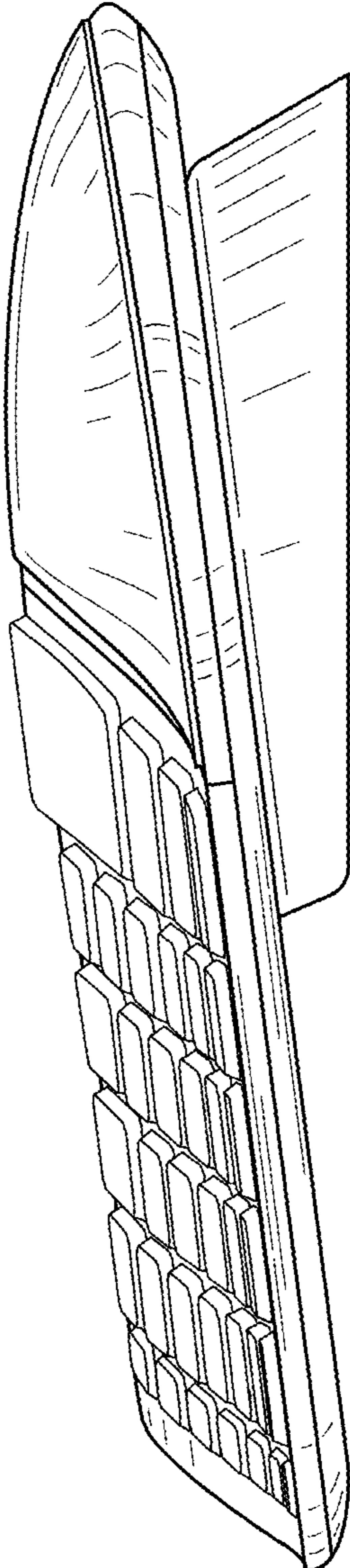


FIG. 5

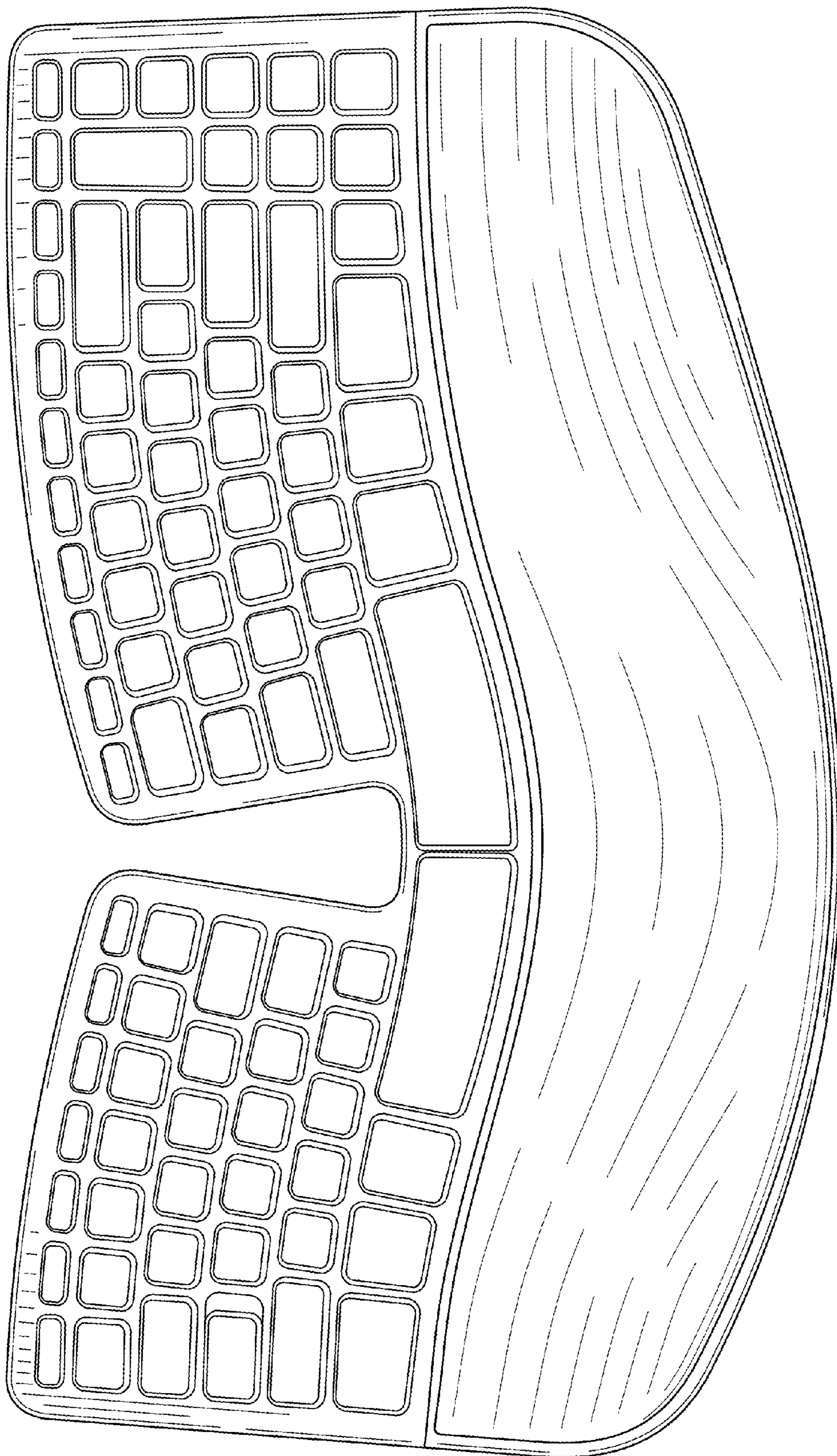


FIG. 6

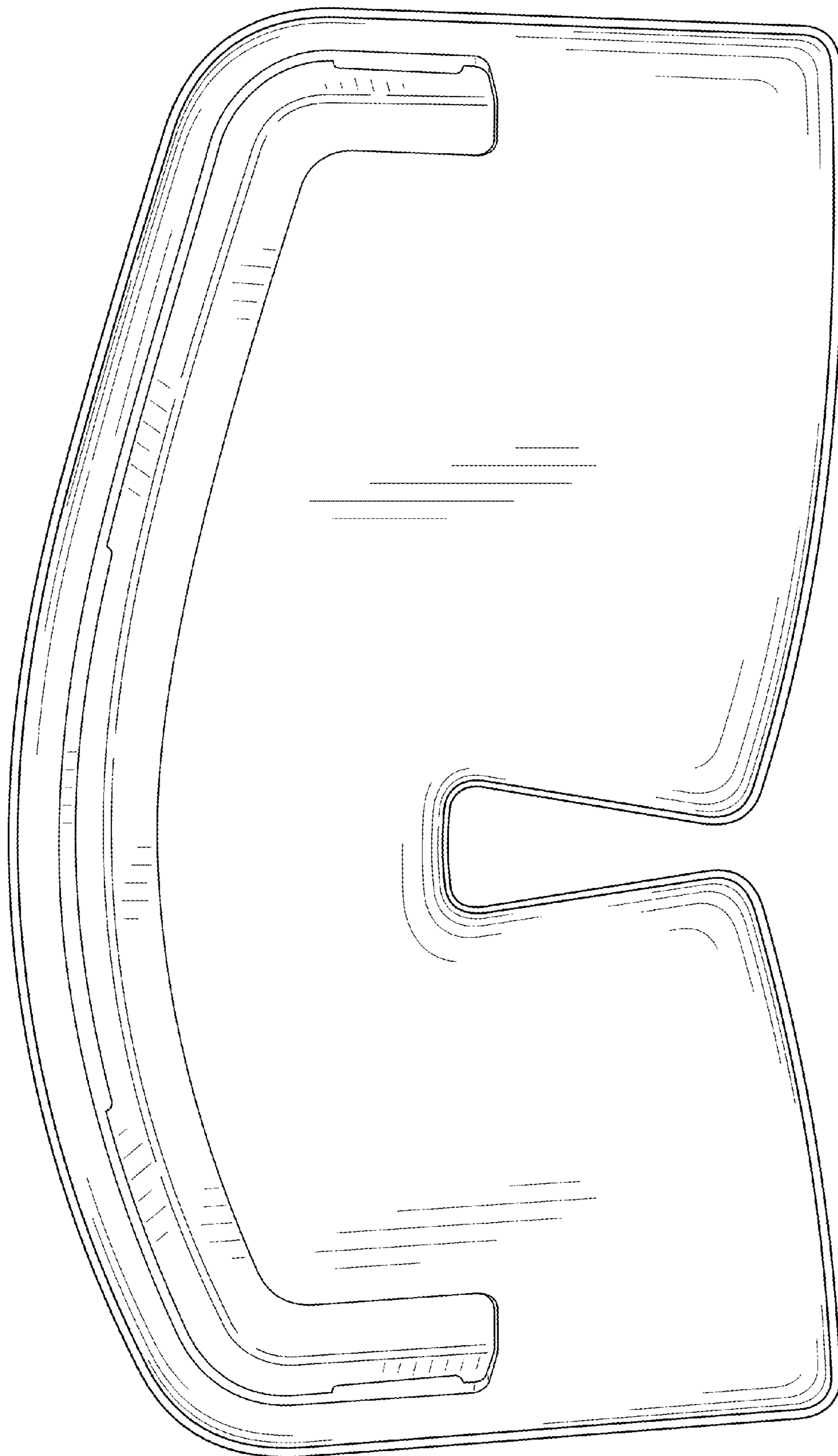


FIG. 7

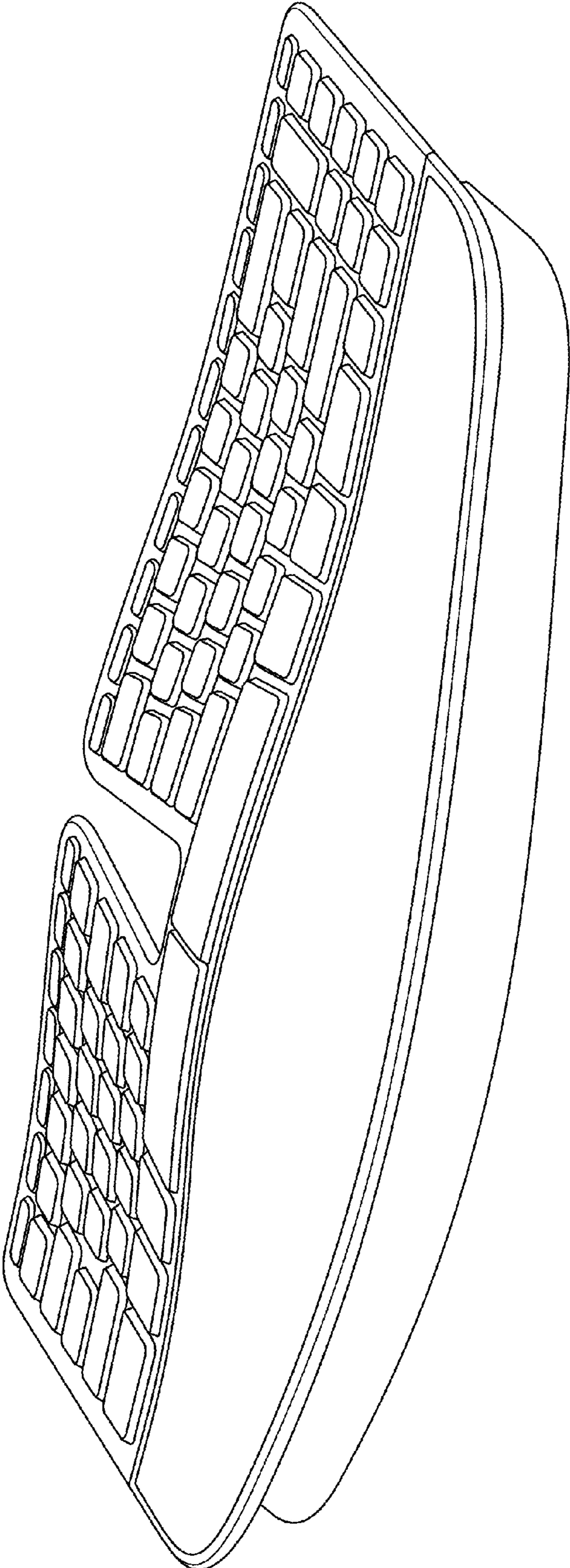


FIG. 8

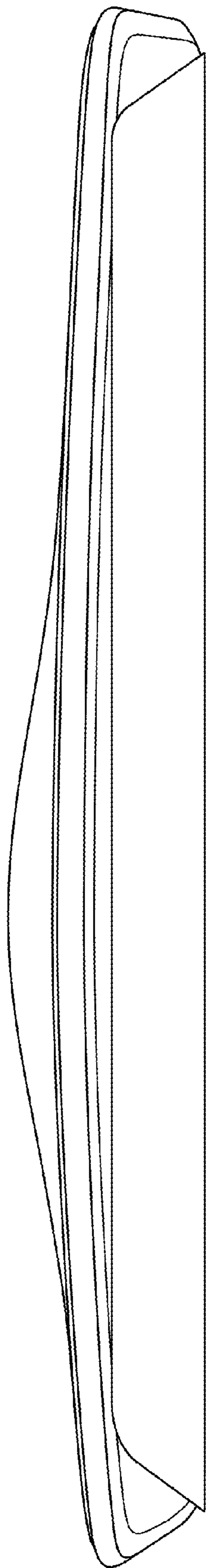


FIG. 9

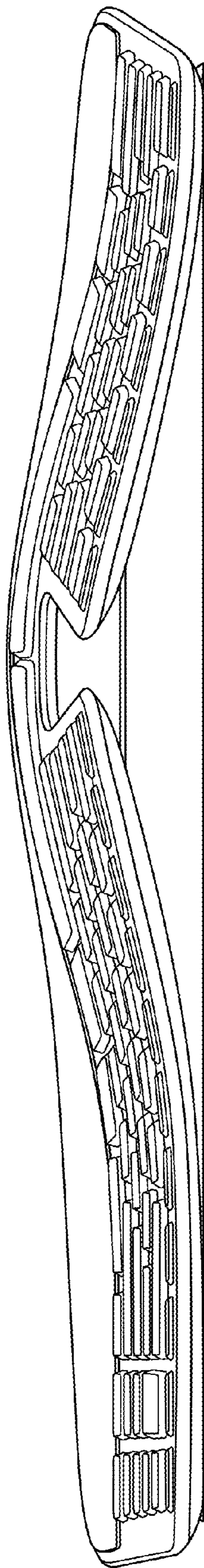


FIG. 10

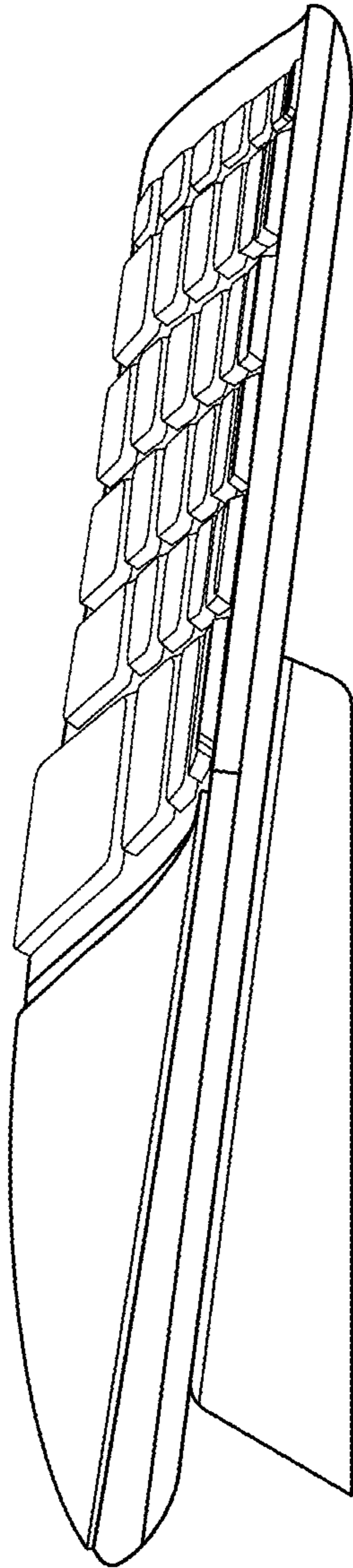


FIG. 11

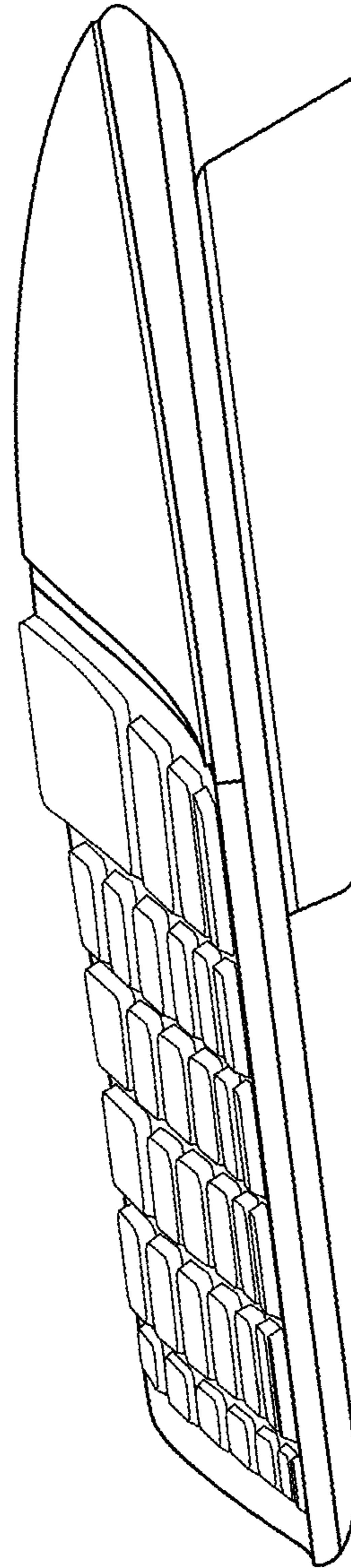


FIG. 12

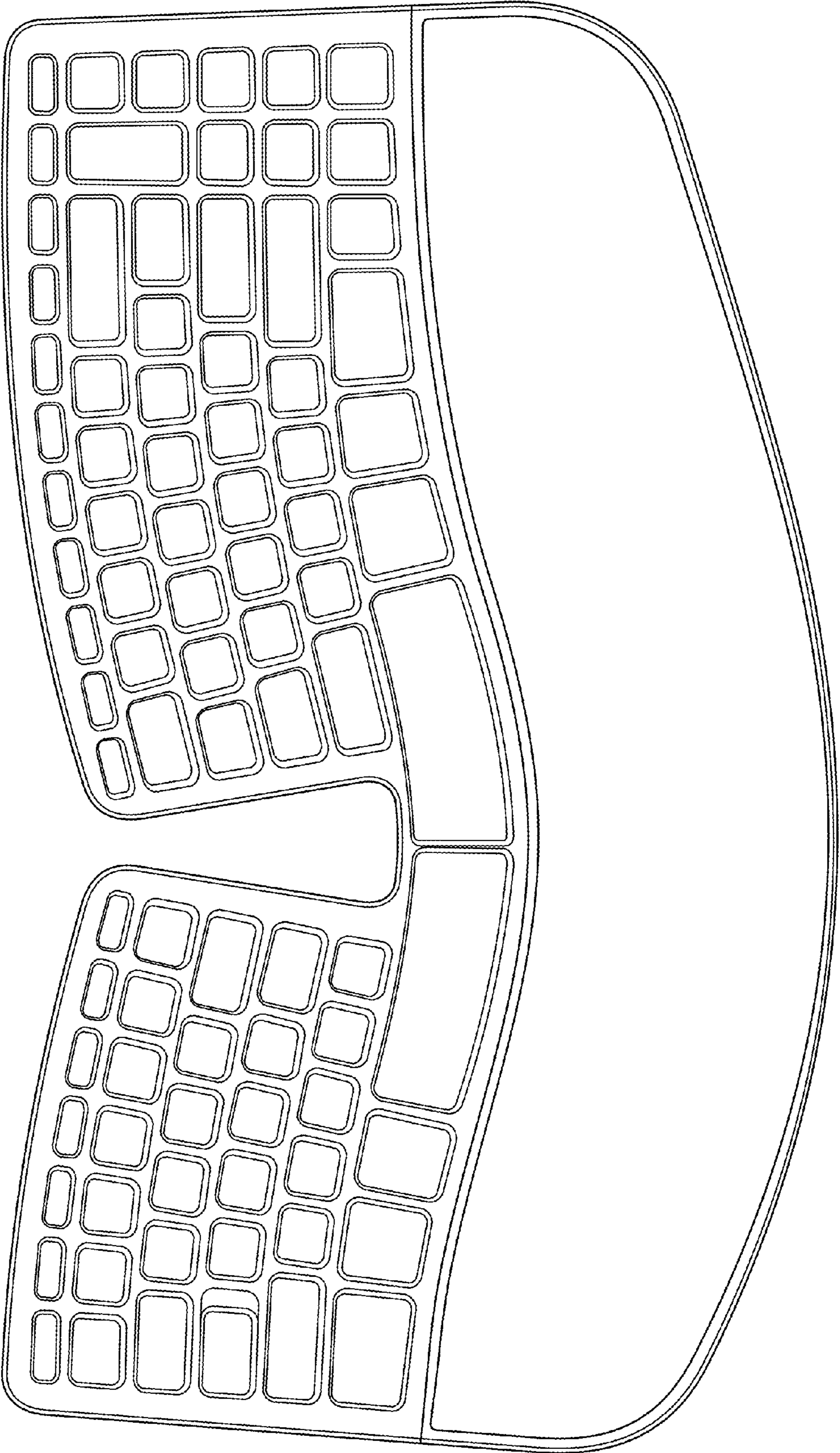


FIG. 13

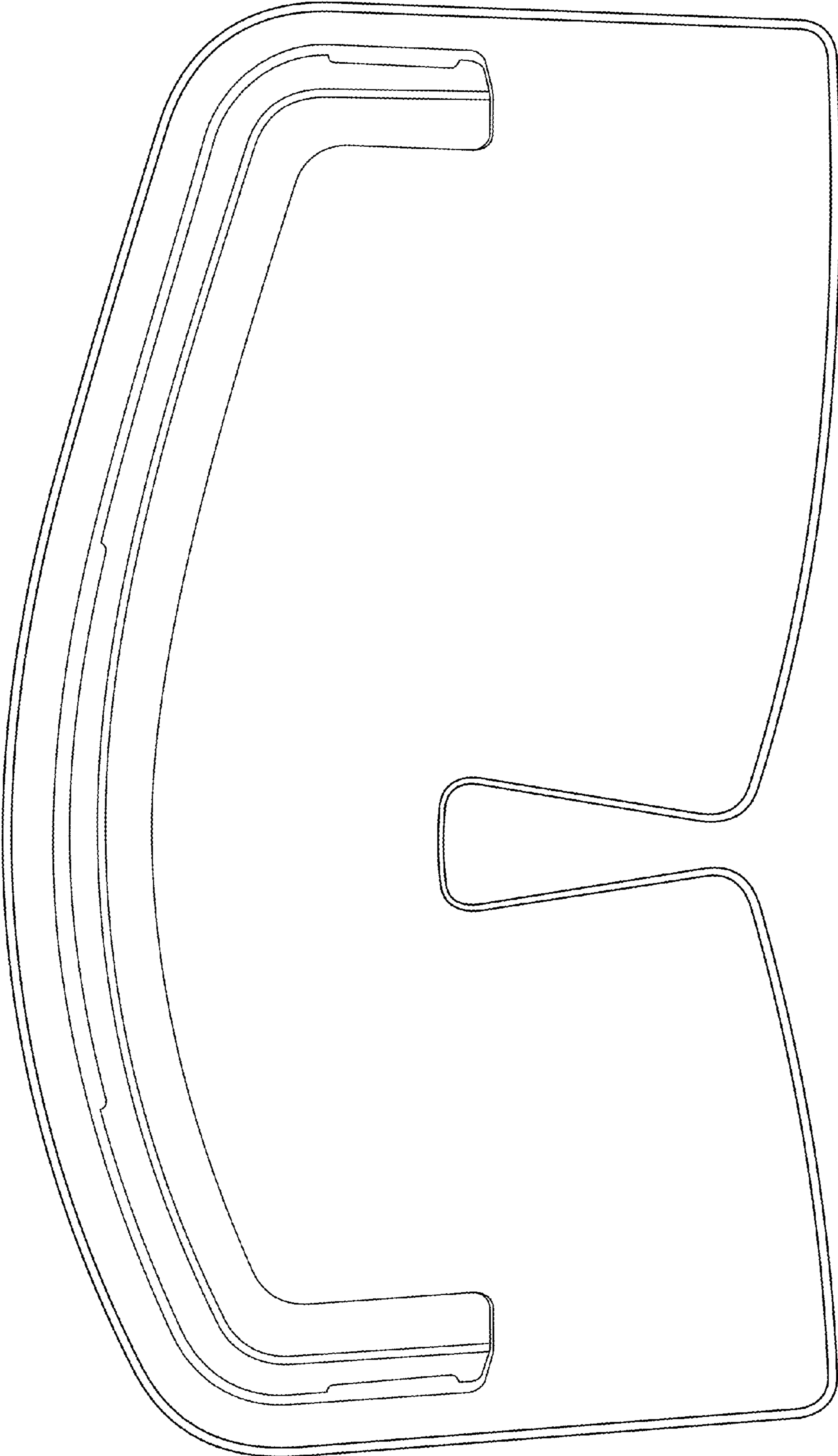


FIG. 14