



US00D721364S

(12) **United States Design Patent**
Huh et al.

(10) **Patent No.:** **US D721,364 S**
(45) **Date of Patent:** **** Jan. 20, 2015**

(54) **MONITOR**

(71) Applicant: **LG Electronics Inc.**, Seoul (KR)

(72) Inventors: **Byungmu Huh**, Seoul (KR); **Sungjoo Cho**, Seoul (KR)

(73) Assignee: **LG Electronics Inc.**, Seoul (KR)

(**) Term: **14 Years**

(21) Appl. No.: **29/459,630**

(22) Filed: **Jul. 2, 2013**

(30) **Foreign Application Priority Data**

Jan. 9, 2013 (KR) 30-2013-0001413

(51) **LOC (10) Cl.** **14-02**

(52) **U.S. Cl.**
USPC **D14/374**

(58) **Field of Classification Search**
CPC G06F 1/1601
USPC D14/371-375, 125-129, 336, 337;
341/12; 345/104, 156, 168, 173;
348/180, 184, 325, 739; 349/1, 2, 11,
349/62; 361/679.05-679.07, 679.21;
D6/300, 308

See application file for complete search history.

(56) **References Cited**

U.S. PATENT DOCUMENTS

D388,077 S * 12/1997 Starck D14/126
5,708,458 A * 1/1998 Vrbanac 345/156

D453,333 S * 2/2002 Chen D14/374
D607,854 S * 1/2010 Sagawa D14/126
D609,658 S * 2/2010 Kim et al. D14/126
D624,513 S * 9/2010 Mitsuhashi D14/126
D669,076 S * 10/2012 Haller D14/374
D673,129 S * 12/2012 Kumano D14/126
2012/0256839 A1 * 10/2012 Suggs 345/168

OTHER PUBLICATIONS

Article from Internet newspaper, Korea IT Times Global News Network, Thursday, Jan. 3, 2013, printed from <http://www.koreaittimes.com>.

* cited by examiner

Primary Examiner — Freda S Nunn

(74) *Attorney, Agent, or Firm* — Morgan, Lewis & Bockius LLP

(57) **CLAIM**

The ornamental design for a monitor, as shown and described.

DESCRIPTION

FIG. 1 is a front, right side, perspective view of a monitor showing our new design;
FIG. 2 is a front view thereof;
FIG. 3 is a rear view thereof;
FIG. 4 is a left side view thereof;
FIG. 5 is a right side view thereof;
FIG. 6 is a top view thereof;
FIG. 7 is a bottom view thereof; and,
FIG. 8 is another left side view thereof.

1 Claim, 4 Drawing Sheets

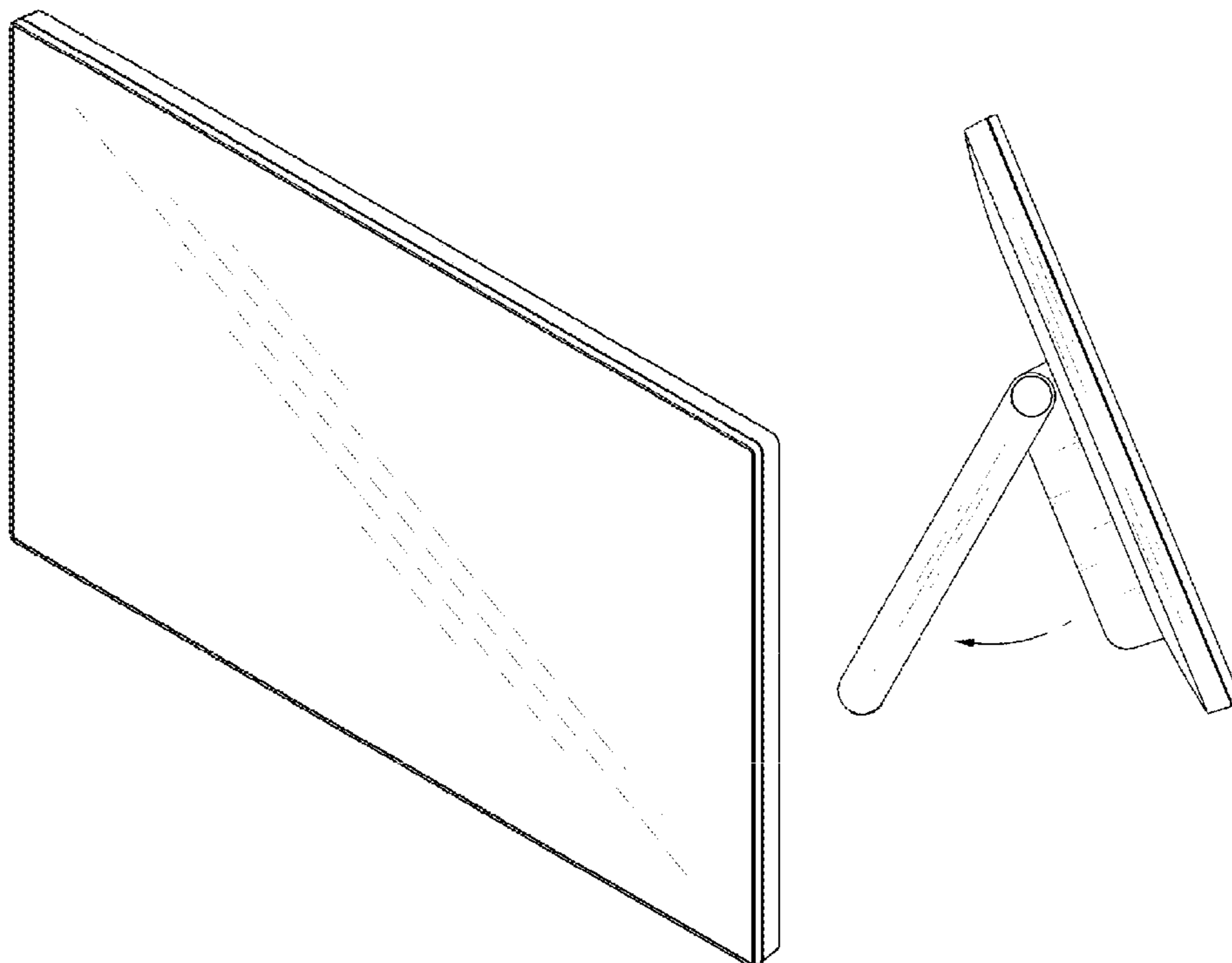


FIG. 1

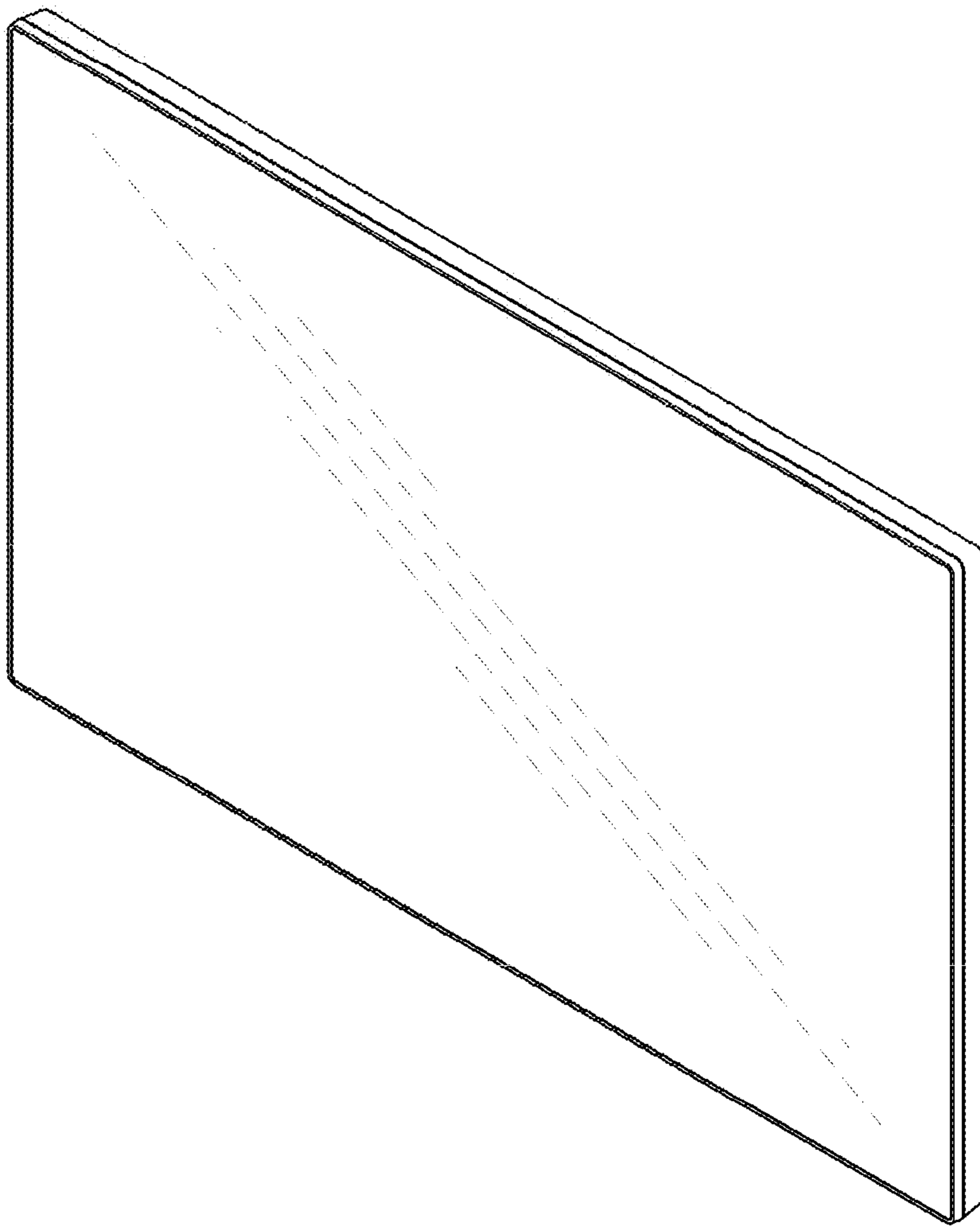


FIG. 2

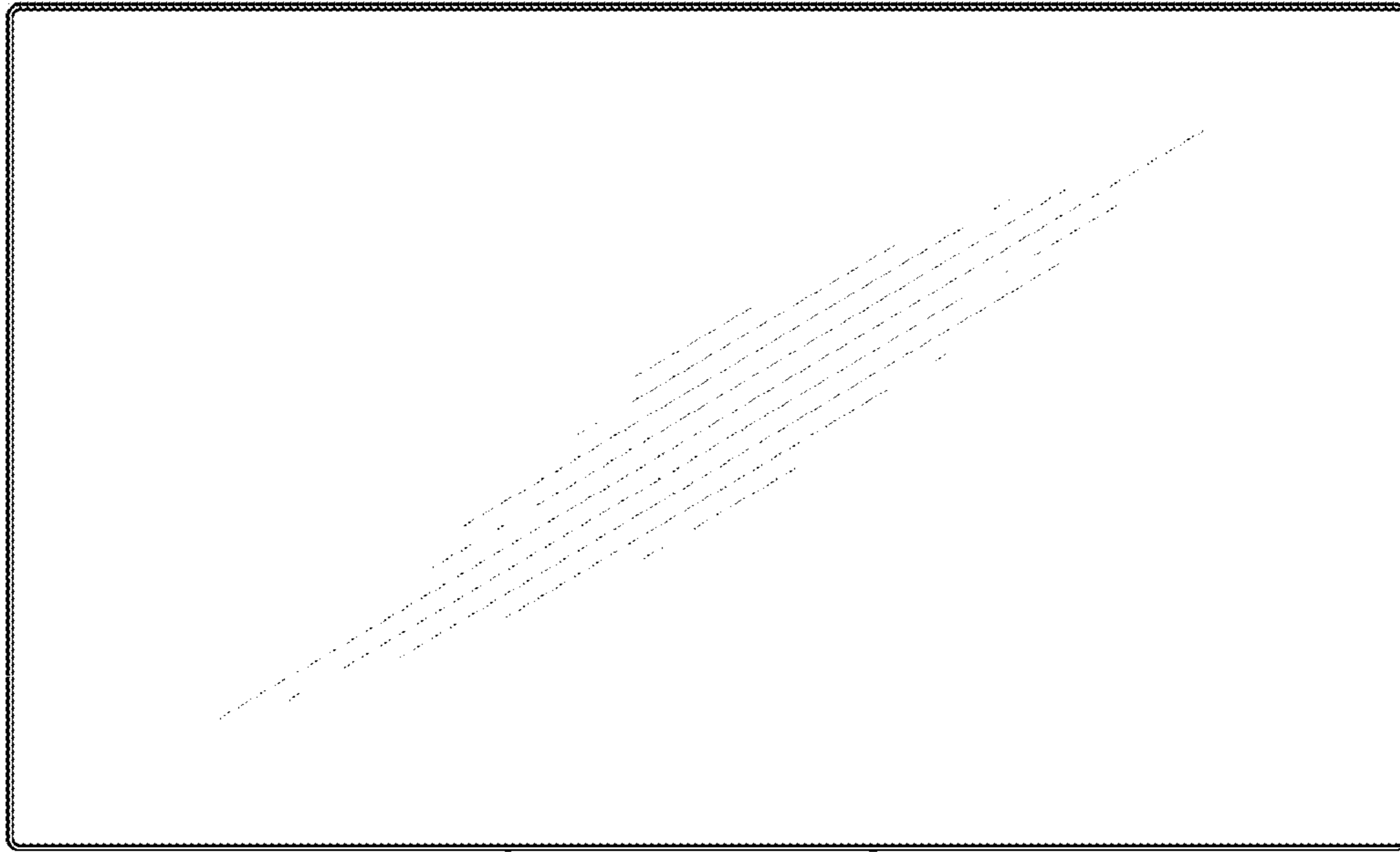


FIG. 3

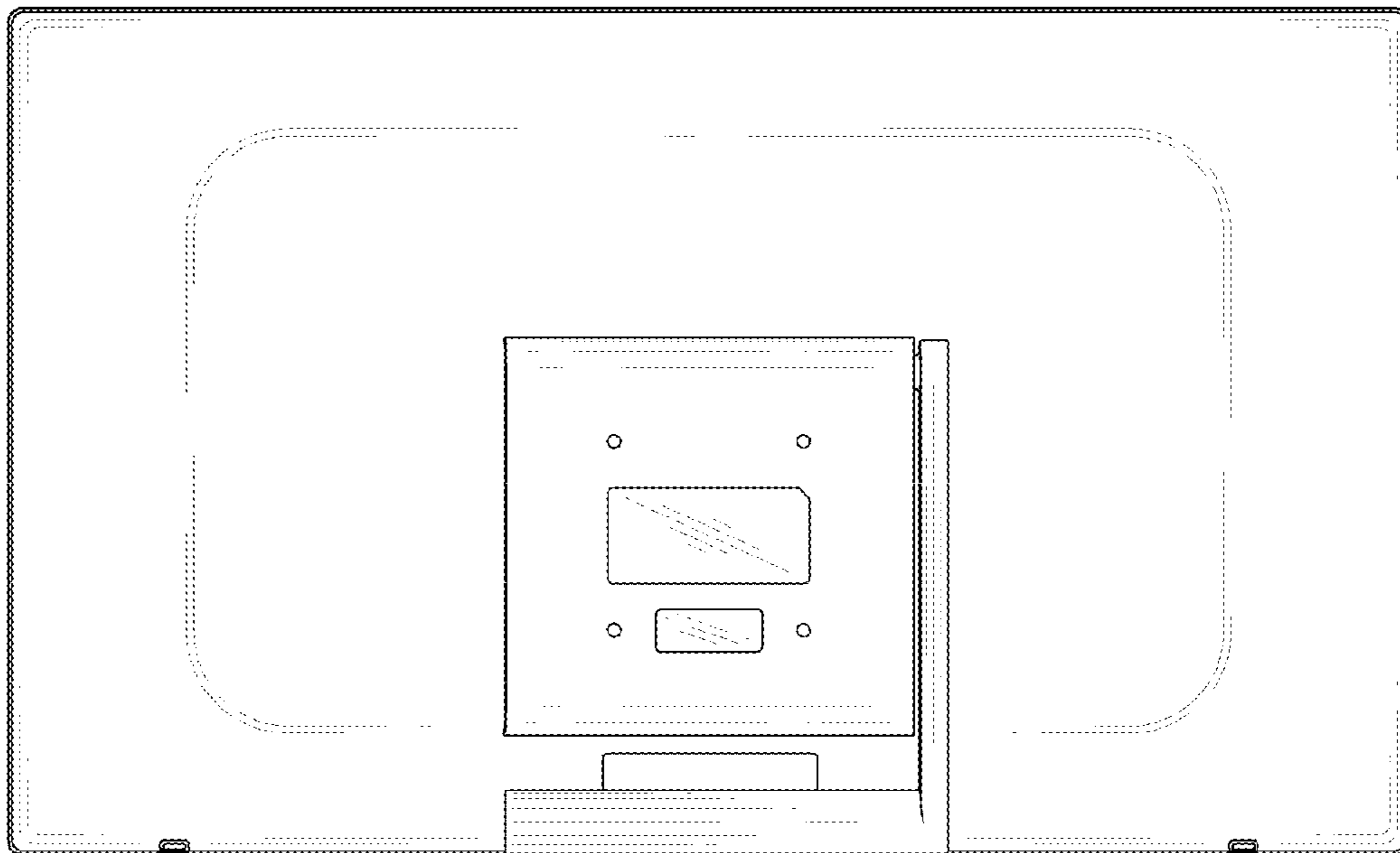


FIG. 4

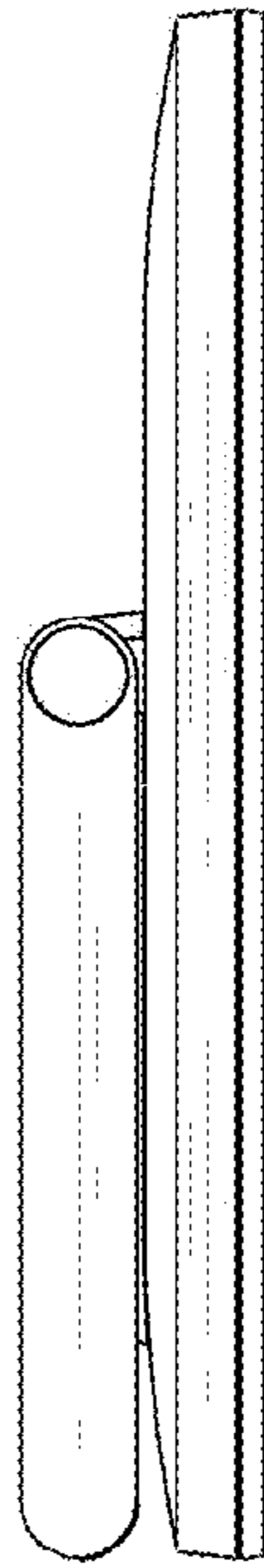


FIG. 5

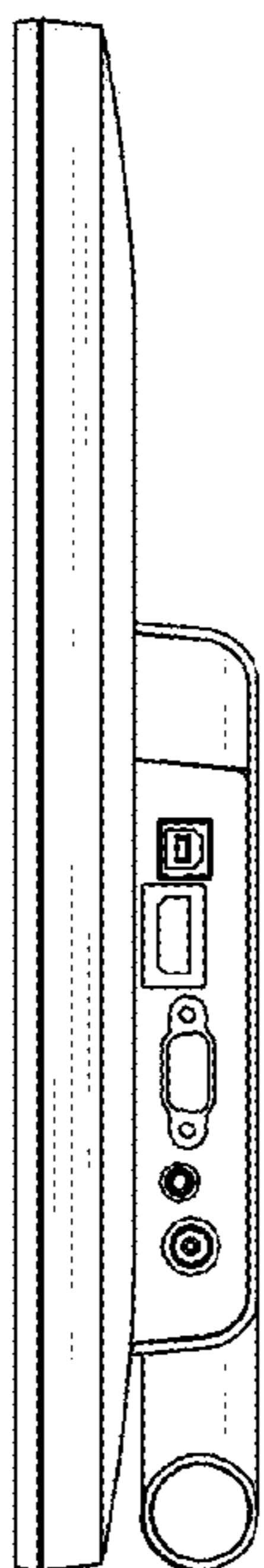


FIG. 6

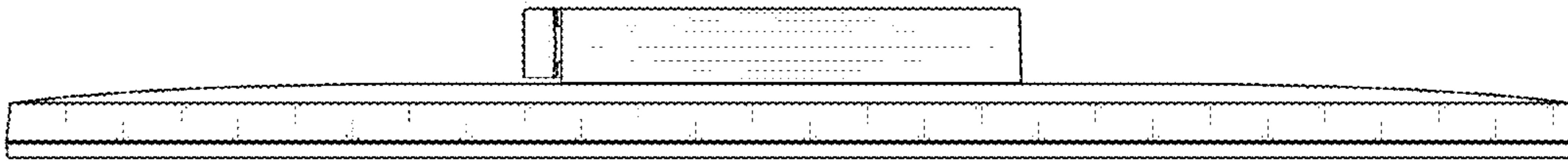


FIG. 7

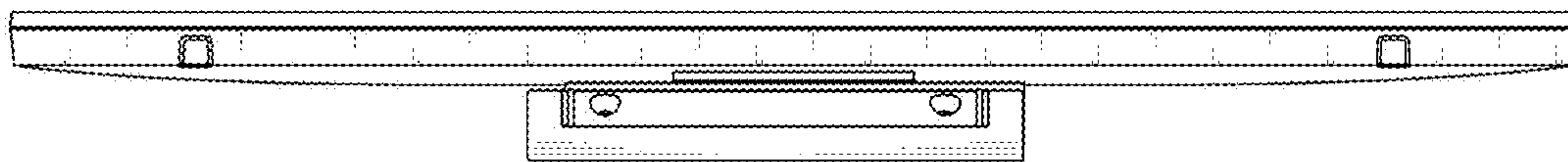


FIG. 8

