

US00D721349S

(12) **United States Design Patent**
Sugai et al.

(10) **Patent No.:** **US D721,349 S**
(45) **Date of Patent:** **** Jan. 20, 2015**

(54) **COMMUNICATION APPARATUS**

(71) Applicant: **Mitutoyo Corporation**, Kawasaki,
Kanagawa (JP)
(72) Inventors: **Yu Sugai**, Kawasaki (JP); **Shigeru**
Ohtani, Kawasaki (JP); **Hiroyuki Ohta**,
Utsunomiya (JP); **Yasuhiro Konagata**,
Utsunomiya (JP); **Kazuhiko Kimura**,
Utsunomiya (JP)
(73) Assignee: **Mitutoyo Corporation**, Kawasaki (JP)

(**) Term: **14 Years**

(21) Appl. No.: **29/501,331**

(22) Filed: **Sep. 3, 2014**

(30) **Foreign Application Priority Data**

Mar. 6, 2014 (JP) 2014-004768

(51) **LOC (10) Cl.** **14-03**

(52) **U.S. Cl.**
USPC **D14/159**

(58) **Field of Classification Search**
USPC D14/167, 154, 168, 188, 496, 156, 160,
D14/161, 162, 163, 164, 165, 158, 253, 192,
D14/159, 155, 138 AB, 137, 104.1; 455/351,
455/350, 353; D10/104, 106, 65, 78;
340/573.4, 573.1

See application file for complete search history.

(56) **References Cited**

U.S. PATENT DOCUMENTS

D489,052 S *	4/2004	Shiraki et al.	D14/203.3
D528,097 S *	9/2006	Kim	D14/138 G
D562,306 S *	2/2008	Jeong et al.	D14/159
D570,870 S *	6/2008	Ledbetter et al.	D14/496
D579,913 S *	11/2008	Lamason	D14/159
D605,165 S *	12/2009	Sheba et al.	D14/203.7
D618,659 S *	6/2010	Su	D14/159
D656,478 S *	3/2012	Barley et al.	D14/159
D665,767 S *	8/2012	Hancock	D14/159
D689,037 S *	9/2013	Sumi et al.	D14/159
D696,224 S *	12/2013	Murayama	D14/159
D709,854 S *	7/2014	Pan	D14/167

* cited by examiner

Primary Examiner — Austin Murphy
(74) *Attorney, Agent, or Firm* — Oliff PLC

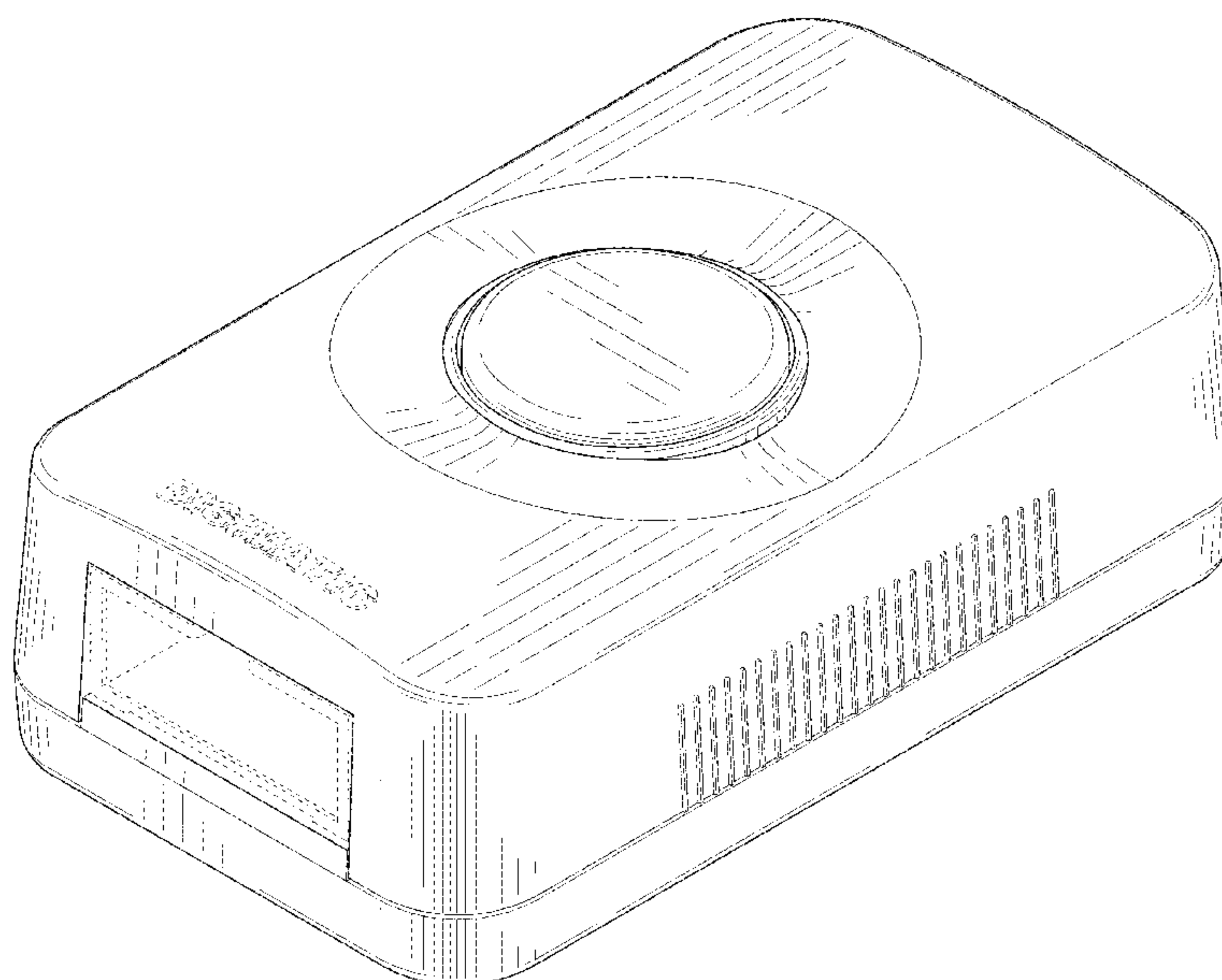
(57) **CLAIM**

The ornamental design for a communication apparatus, as shown and described.

DESCRIPTION

FIG. 1 is a top, front prospective view of the communication apparatus;
FIG. 2 is a right-side elevational view thereof;
FIG. 3 is a top plan view thereof;
FIG. 4 is a front elevational view thereof;
FIG. 5 is a rear elevational view thereof;
FIG. 6 is a left-side elevational view thereof;
FIG. 7 is a bottom plan view thereof; and,
FIG. 8 is a top, rear perspective view thereof.
The broken lines immediately adjacent the shaded areas represent the bounds of the claimed design while all other broken lines are directed to environment and are for illustrative purposes only; the broken lines form no part of the claimed design.

1 Claim, 7 Drawing Sheets



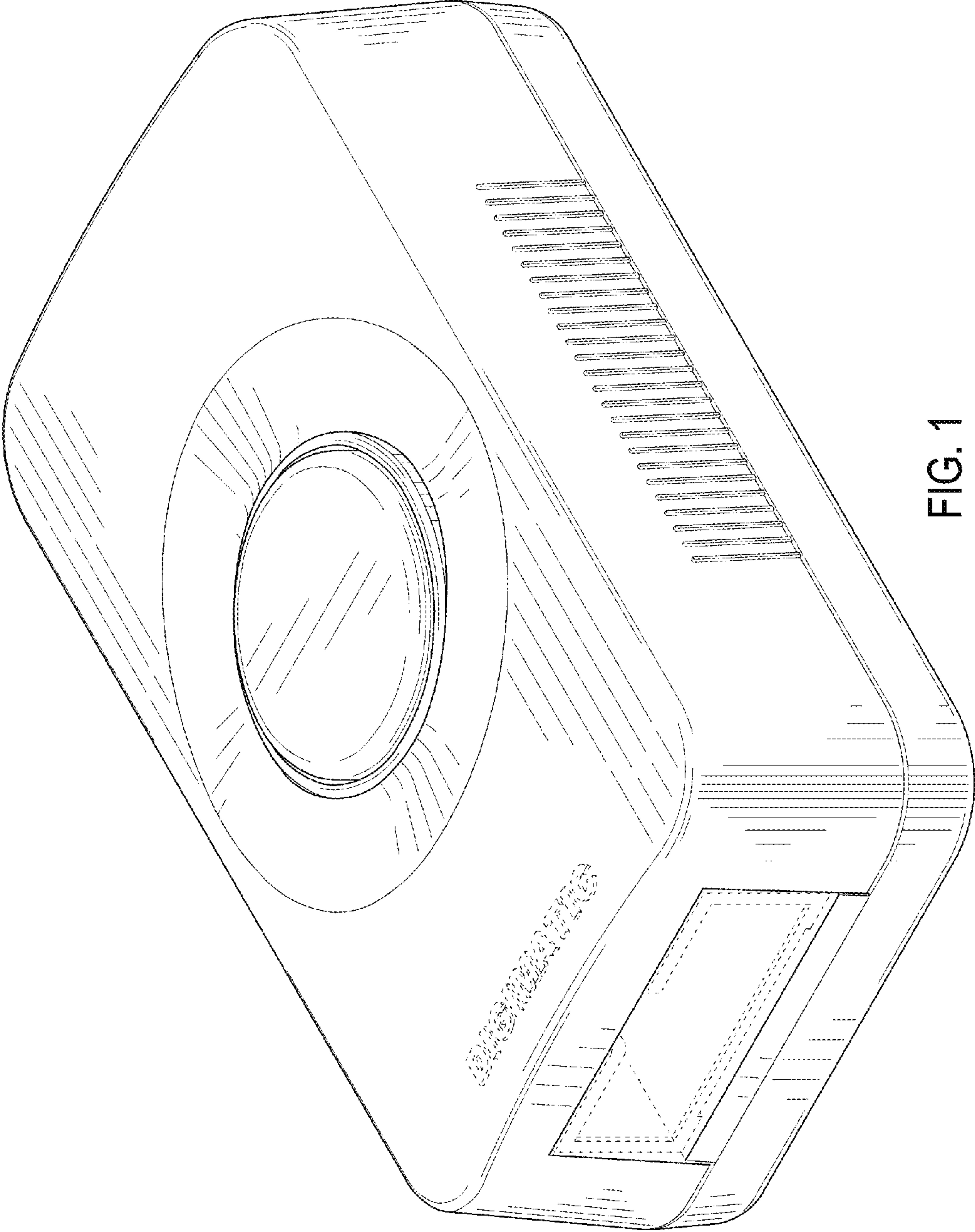


FIG. 1

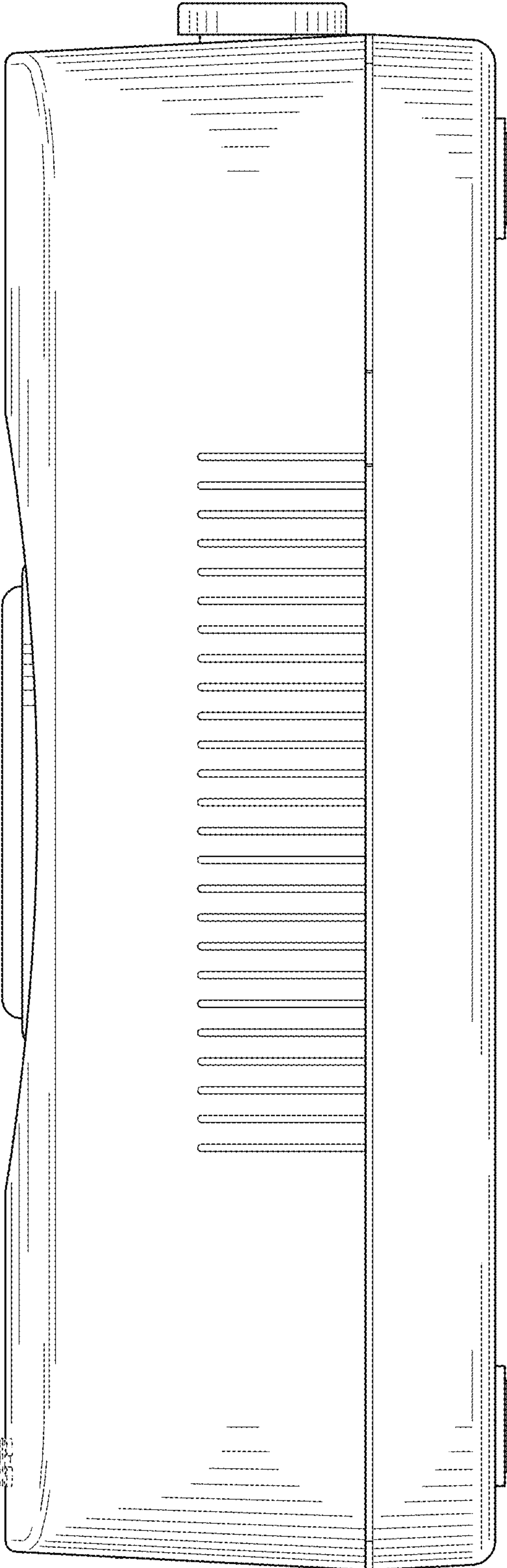


FIG. 2

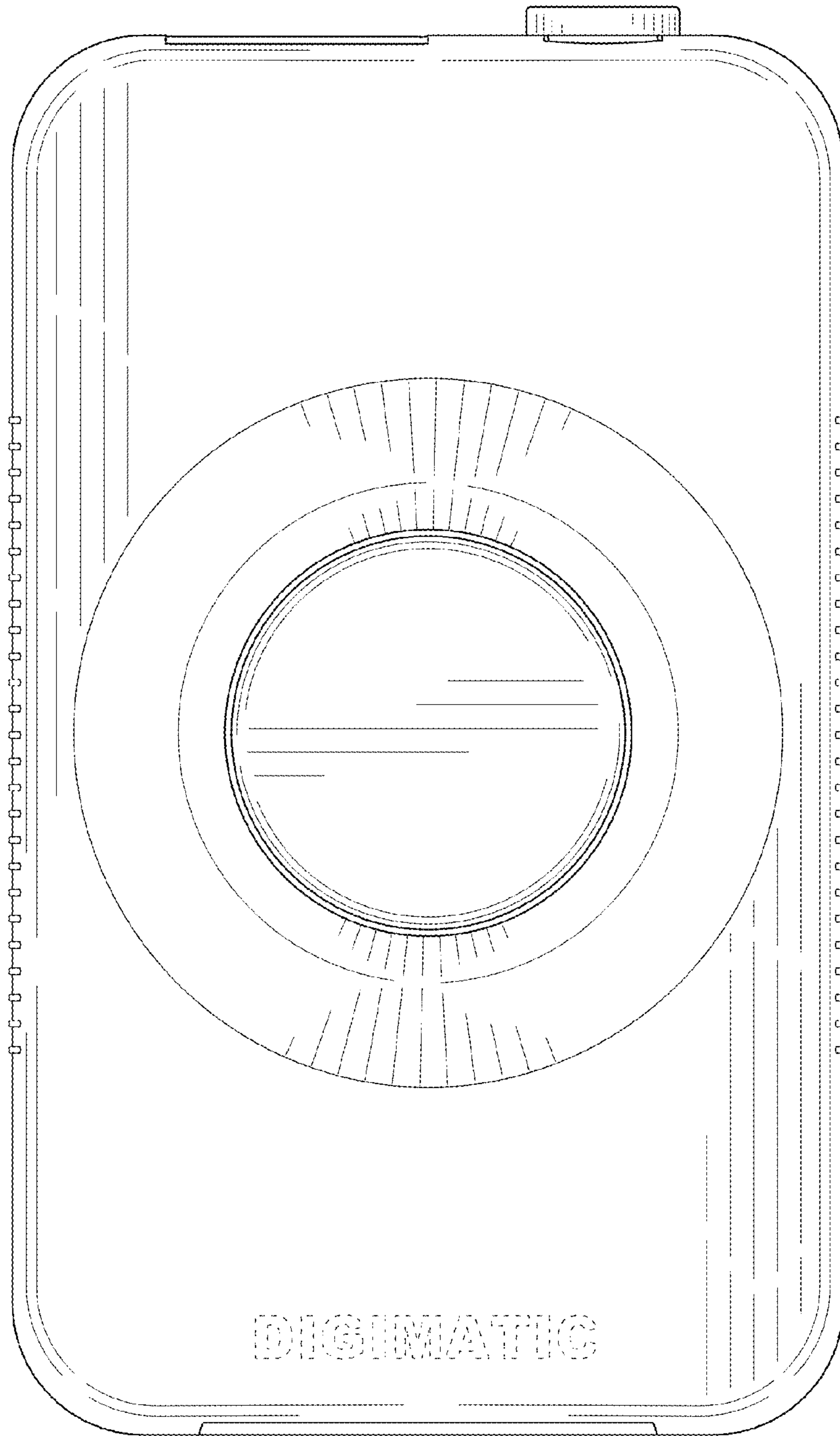


FIG. 3

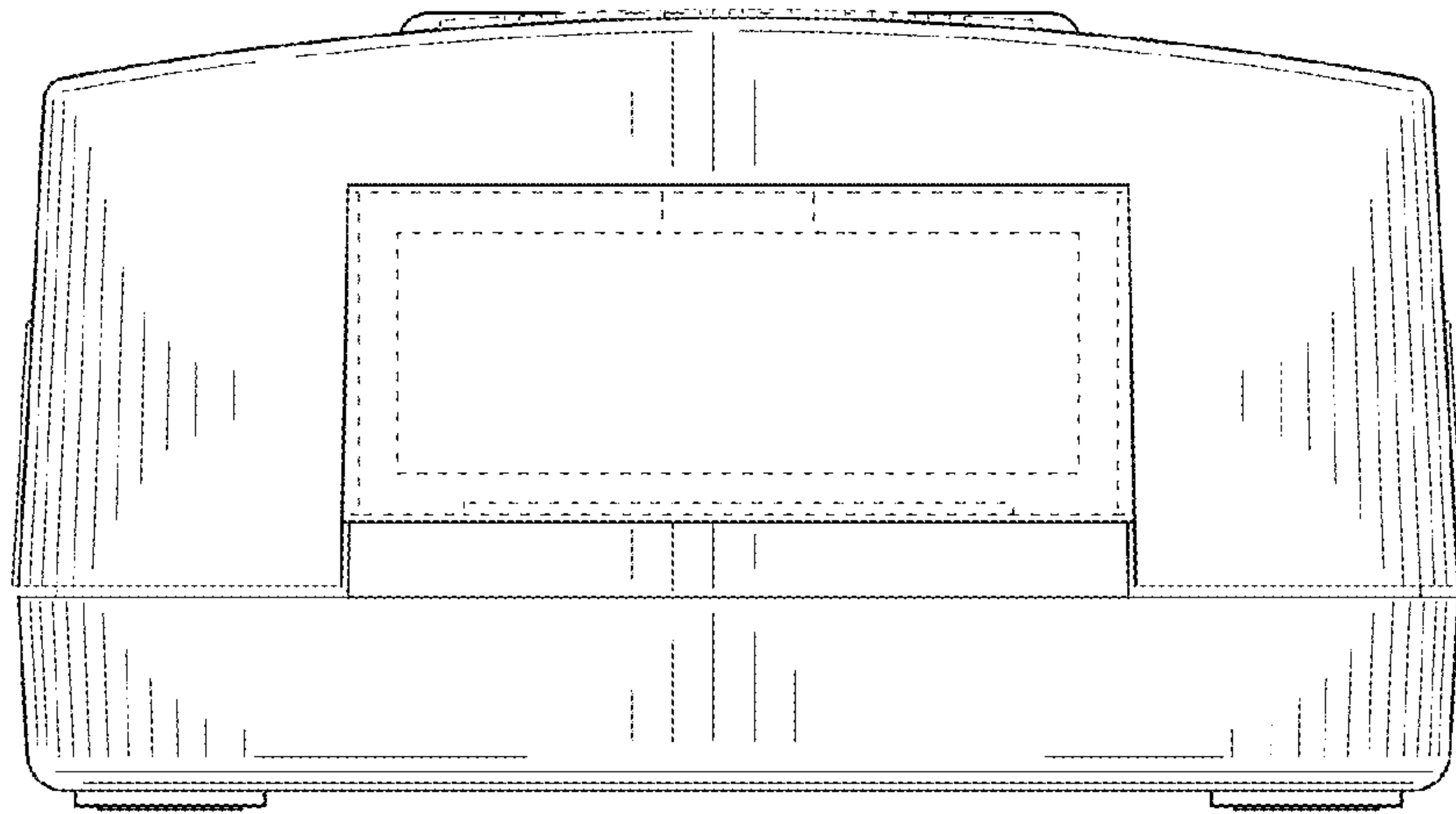


FIG. 4

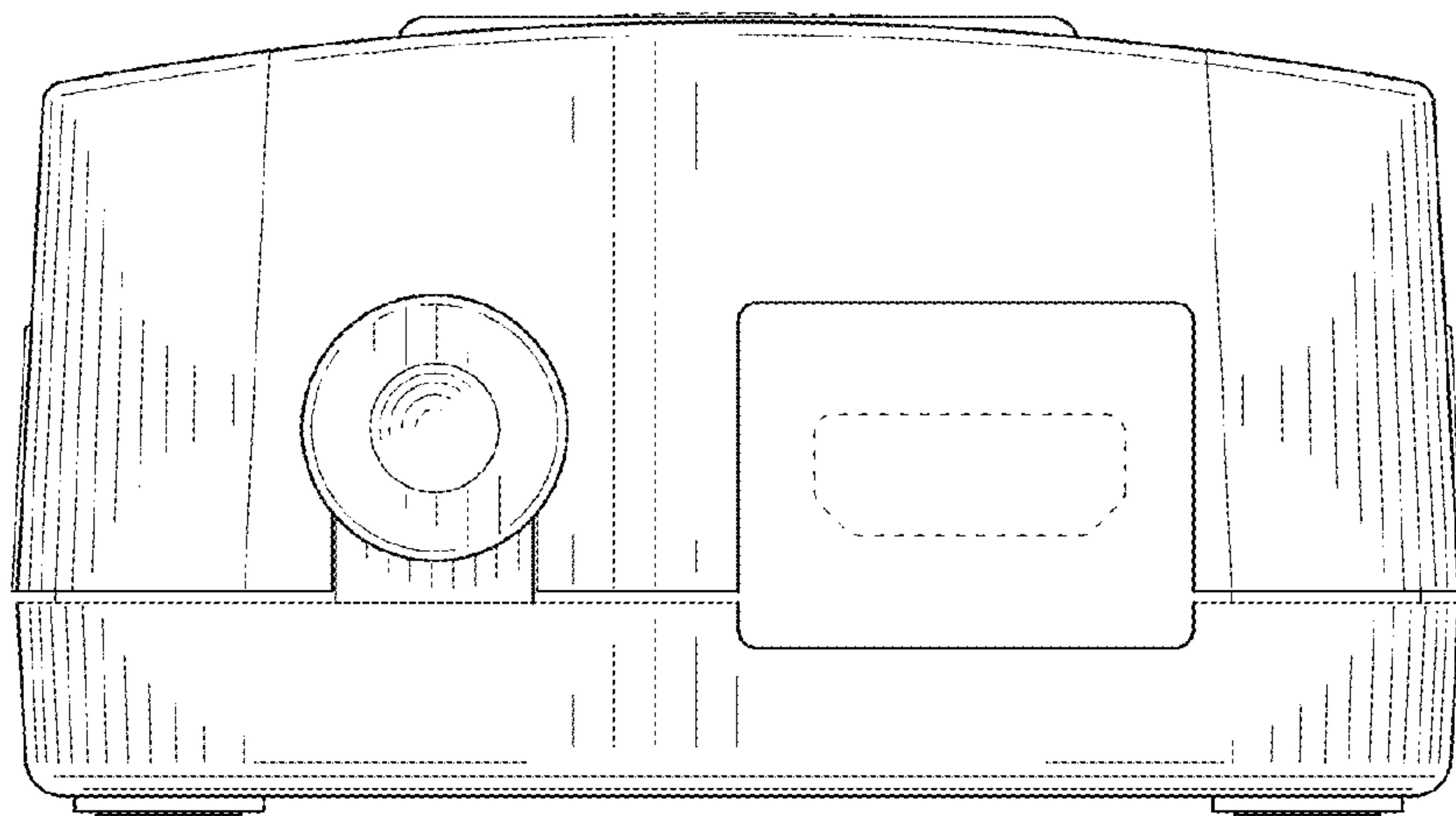


FIG. 5

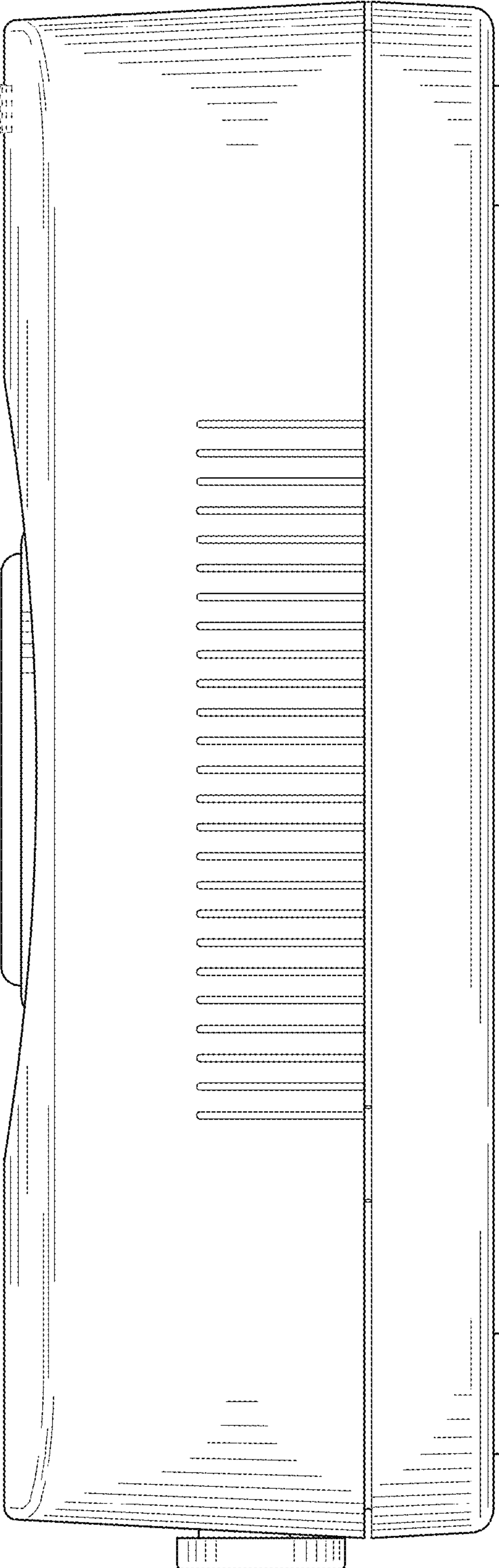


FIG. 6

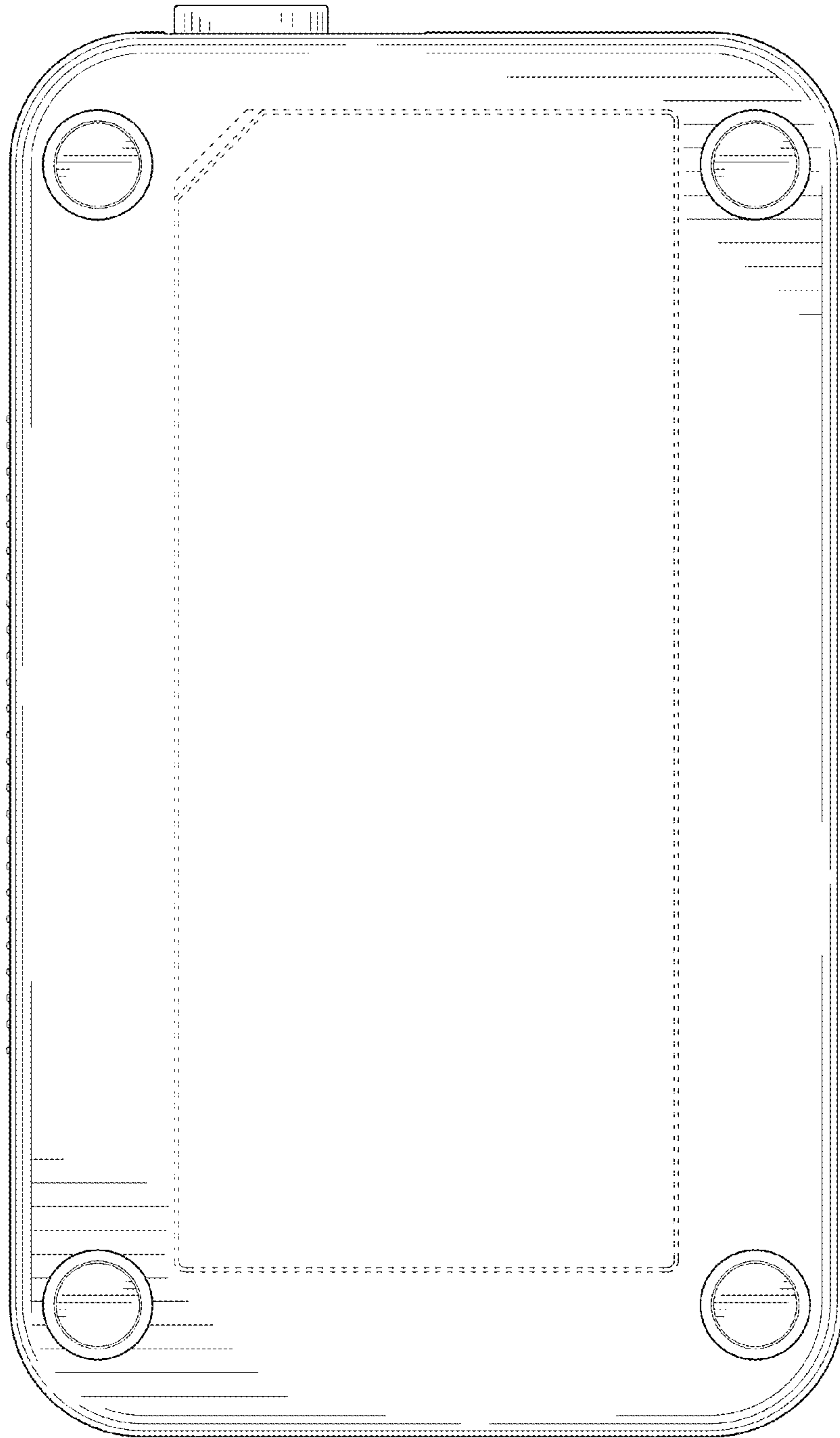


FIG. 7

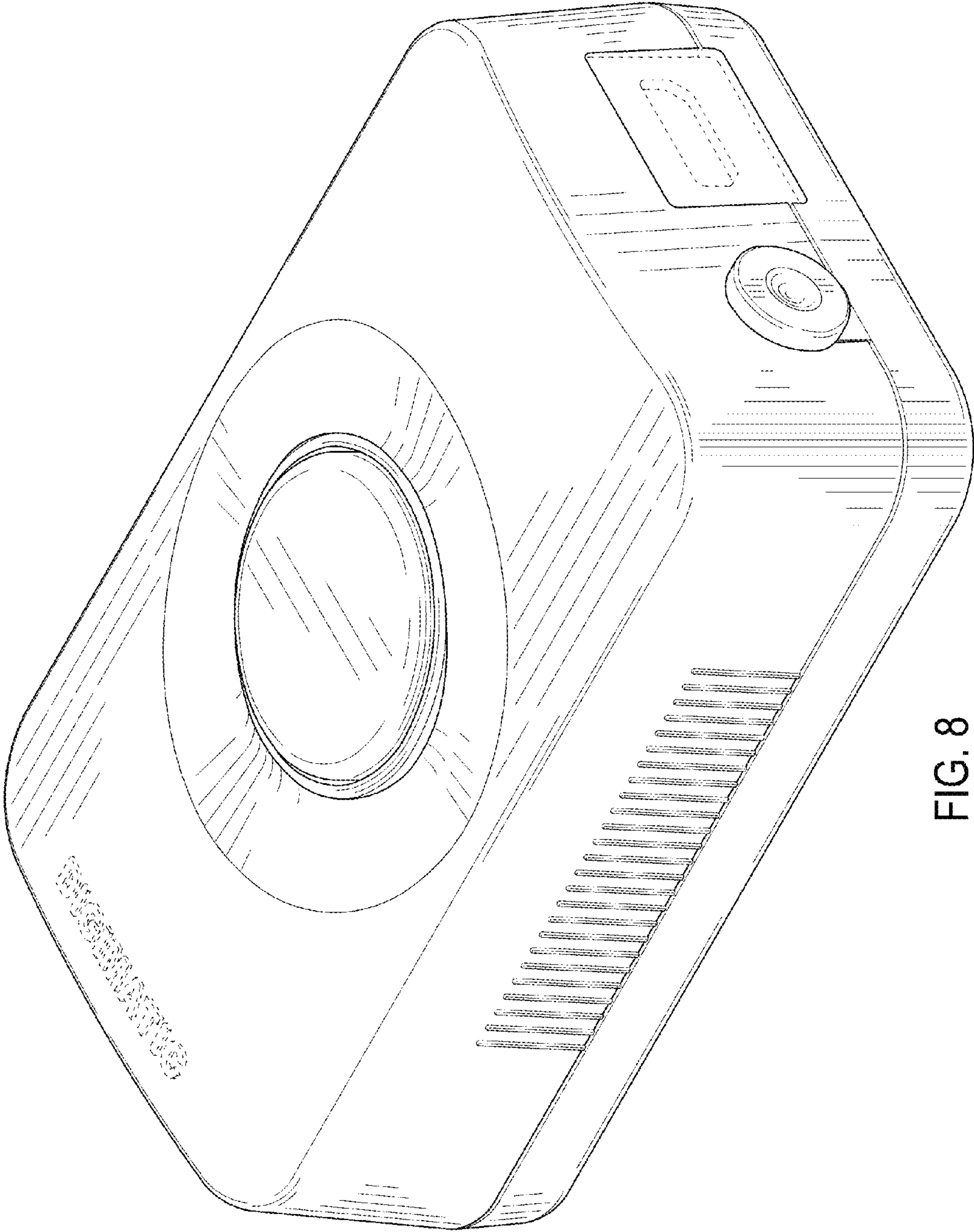


FIG. 8