



US00D721348S

(12) **United States Design Patent**  
**Plaschke**

(10) **Patent No.:** **US D721,348 S**  
(45) **Date of Patent:** **\*\* Jan. 20, 2015**

(54) **MOBILE PHONE**

(71) Applicant: **Robert J. Plaschke**, San Mateo, CA  
(US)

(72) Inventor: **Robert J. Plaschke**, San Mateo, CA  
(US)

(73) Assignee: **Sonim Technologies Inc.**, San Mateo,  
CA (US)

(\*\*) Term: **14 Years**

(21) Appl. No.: **29/480,634**

(22) Filed: **Jan. 28, 2014**

(51) **LOC (10) Cl.** ..... **14-03**

(52) **U.S. Cl.**  
USPC ..... **D14/138 AA**

(58) **Field of Classification Search**  
CPC ..... H04M 1/02; H04M 1/0202-1/035;  
G06F 1/1626; H01H 13/85  
USPC ..... D14/138 AA, 138 R, 341, 346, 345,  
D14/138 G, 138 AD, 496, 203.1, 203.3,  
D14/203.4, 203.7, 248, 218, 147, 148;  
455/575.1, 556.1, 556.2, 575.3, 575.4;  
D21/517; 379/433.01, 433.04;  
D13/168; 361/679.3, 679.56

See application file for complete search history.

(56) **References Cited**

**U.S. PATENT DOCUMENTS**

D376,989 S \* 12/1996 McCain ..... D10/78  
D523,836 S \* 6/2006 Park ..... D14/138 AA

D549,208 S \* 8/2007 Huang et al. .... D14/138 AA  
D552,584 S \* 10/2007 Lee ..... D14/138 AA  
D555,621 S \* 11/2007 Seo ..... D14/138 AA  
D568,849 S \* 5/2008 Nuovo ..... D14/138 AA  
D573,970 S \* 7/2008 Park ..... D14/138 AA  
D580,405 S \* 11/2008 Lim et al. .... D14/138 AA  
D583,349 S \* 12/2008 Lee et al. .... D14/138 AA  
D584,279 S \* 1/2009 Yoshie et al. .... D14/138 AA

(Continued)

**OTHER PUBLICATIONS**

Sonim XP2.10 Spirit telephone, announced Feb. 2010, [online], [site visited Sep. 14, 2014]. Available from Internet, <URL: [http://www.gsmarena.com/sonim\\_xp2\\_10\\_spirit-3009.php](http://www.gsmarena.com/sonim_xp2_10_spirit-3009.php)>.\*

(Continued)

*Primary Examiner* — Jeffrey D Asch

(74) *Attorney, Agent, or Firm* — Rahman LLC

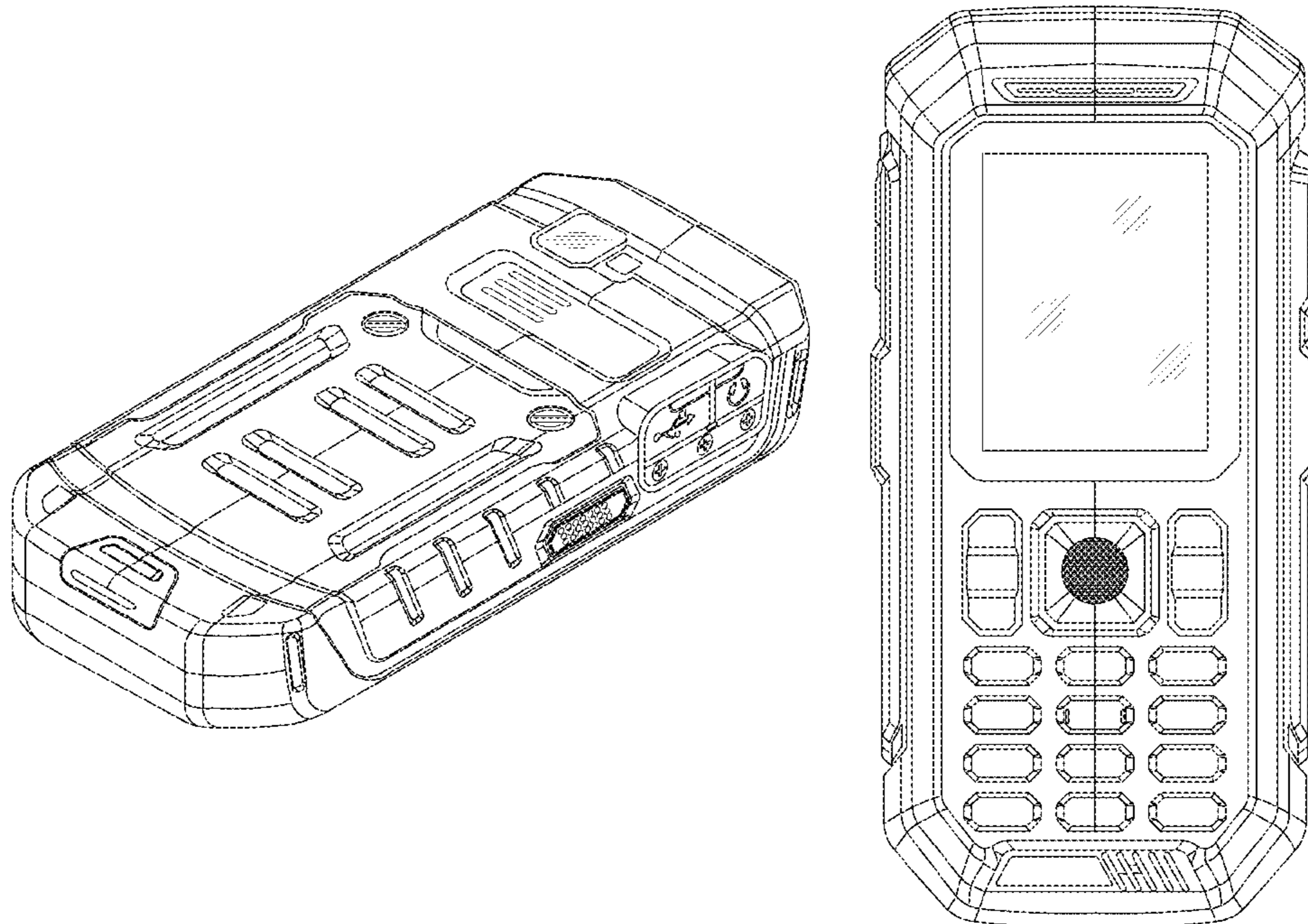
(57) **CLAIM**

The ornamental design for a mobile phone, as shown and described.

**DESCRIPTION**

FIG. 1 is a front perspective view of a mobile phone;  
FIG. 2 is a rear perspective view of the mobile phone of FIG. 1;  
FIG. 3 is a front view of the mobile phone of FIG. 1;  
FIG. 4 is a rear view of the mobile phone of FIG. 1;  
FIG. 5 is a left-side view of the mobile phone of FIG. 1;  
FIG. 6 is a right-side view of the mobile phone of FIG. 1;  
FIG. 7 is a bottom plan view of the mobile phone of FIG. 1;  
and,  
FIG. 8 is a top plan view of the mobile phone of FIG. 1.

**1 Claim, 7 Drawing Sheets**



(56)

References Cited

U.S. PATENT DOCUMENTS

D597,046	S	*	7/2009	Millora	.....	D14/138	AA
D601,106	S	*	9/2009	Kim et al.	.....	D14/138	AA
D601,115	S	*	9/2009	Kim et al.	.....	D14/138	AA
D601,530	S	*	10/2009	Park et al.	.....	D14/138	AA
D601,983	S	*	10/2009	Tkachuk	.....	D14/138	AA
D602,456	S	*	10/2009	Aithal et al.	.....	D14/138	AA
D610,110	S	*	2/2010	Lee et al.	.....	D14/138	AA
D611,022	S	*	3/2010	Puhalla et al.	.....	D14/138	AA
D617,751	S	*	6/2010	Lee et al.	.....	D14/138	AA
D618,195	S	*	6/2010	Behling	.....	D14/138	AA
D618,202	S	*	6/2010	Chaumont et al.	....	D14/138	AA
D618,648	S	*	6/2010	Bang et al.	.....	D14/138	AA
D631,026	S	*	1/2011	Kim et al.	.....	D14/138	AB
D633,088	S	*	2/2011	Liao	.....	D14/341	
D641,334	S	*	7/2011	Hong et al.	.....	D14/138	AA
D655,685	S	*	3/2012	Daniel	.....	D14/138	AA

OTHER PUBLICATIONS

Sonim XP1 telephone, announced Dec. 2007, [online], [site visited Sep. 14, 2014]. Available from Internet, <URL: [http://www.gsmarena.com/sonim\\_xp1-2476.php](http://www.gsmarena.com/sonim_xp1-2476.php)>.\*

Plum Ram telephone, announced May 2013, [online], [site visited Sep. 14, 2014]. Available from Internet, <URL: [http://www.gsmarena.com/plum\\_ram-5584.php](http://www.gsmarena.com/plum_ram-5584.php)>.\*

Plum Hammer telephone, announced Nov. 2012, [online], [site visited Sep. 14, 2014]. Available from Internet, <URL: [http://www.gsmarena.com/plum\\_hammer-5199.php](http://www.gsmarena.com/plum_hammer-5199.php)>.\*

Samsung B2700 telephone, announced Sep. 2008, [online], [site visited Sep. 14, 2014]. Available from Internet, <URL: [http://www.gsmarena.com/samsung\\_b2700-2507.php](http://www.gsmarena.com/samsung_b2700-2507.php)>.\*

\* cited by examiner

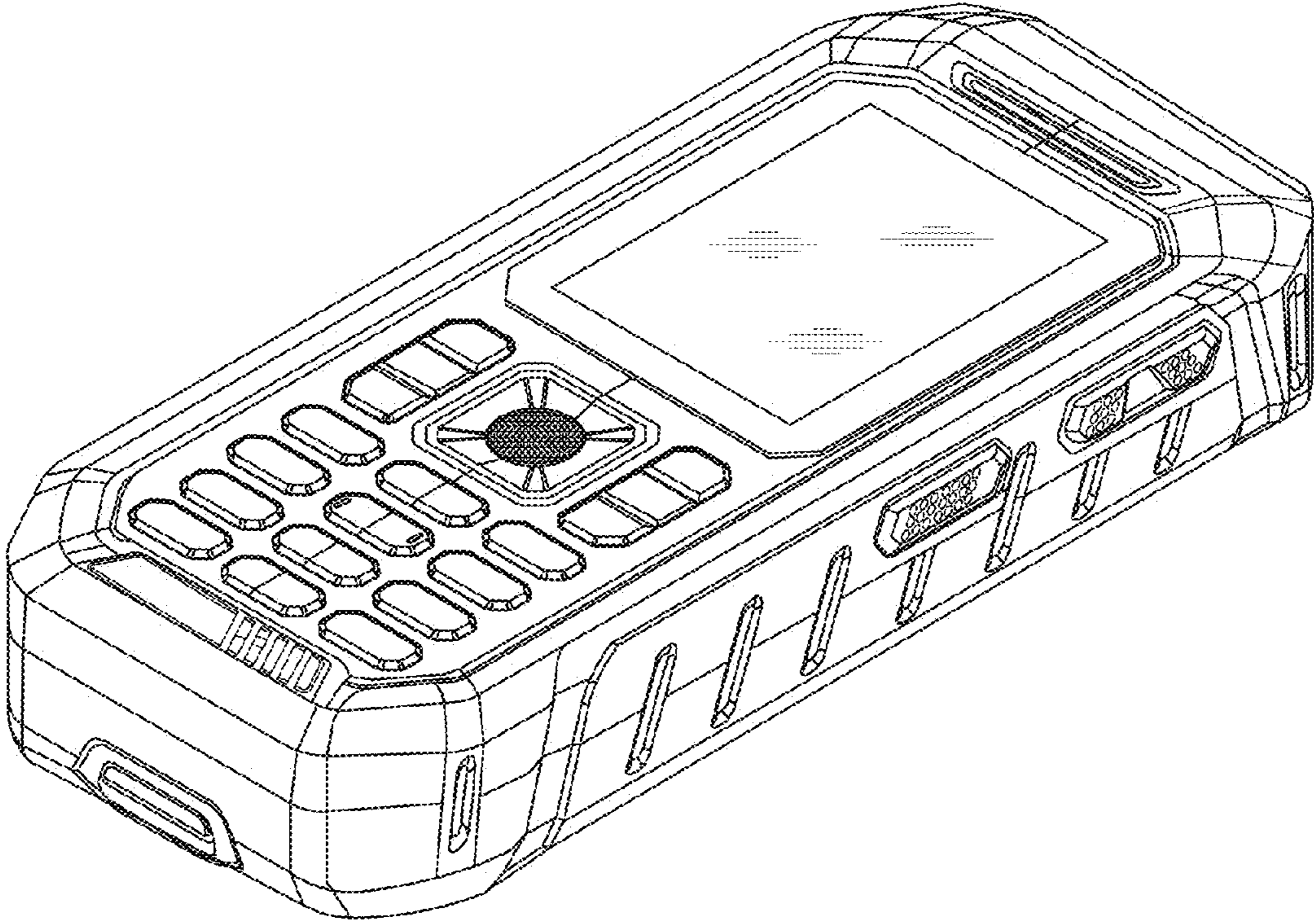


FIG. 1



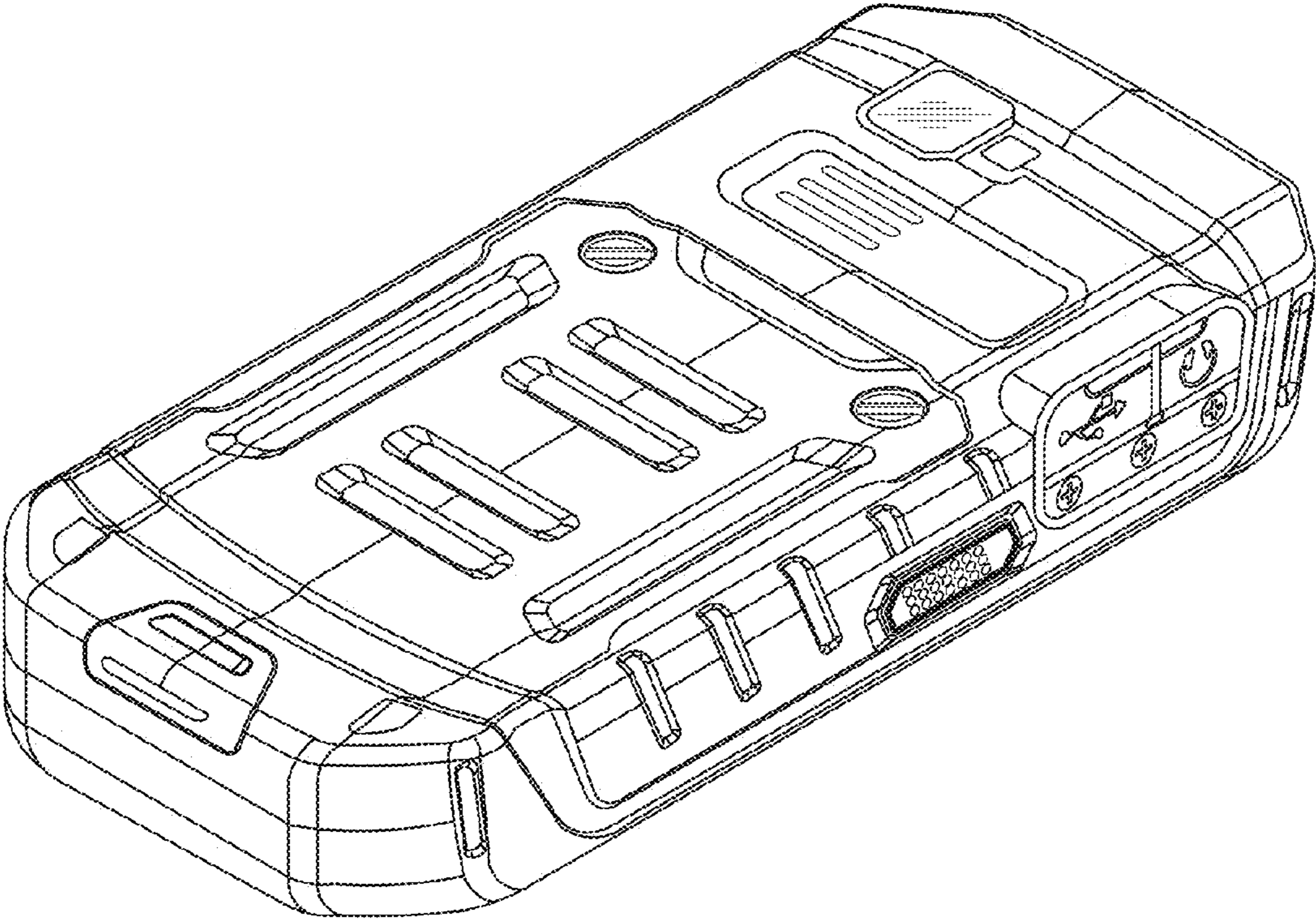


FIG. 2

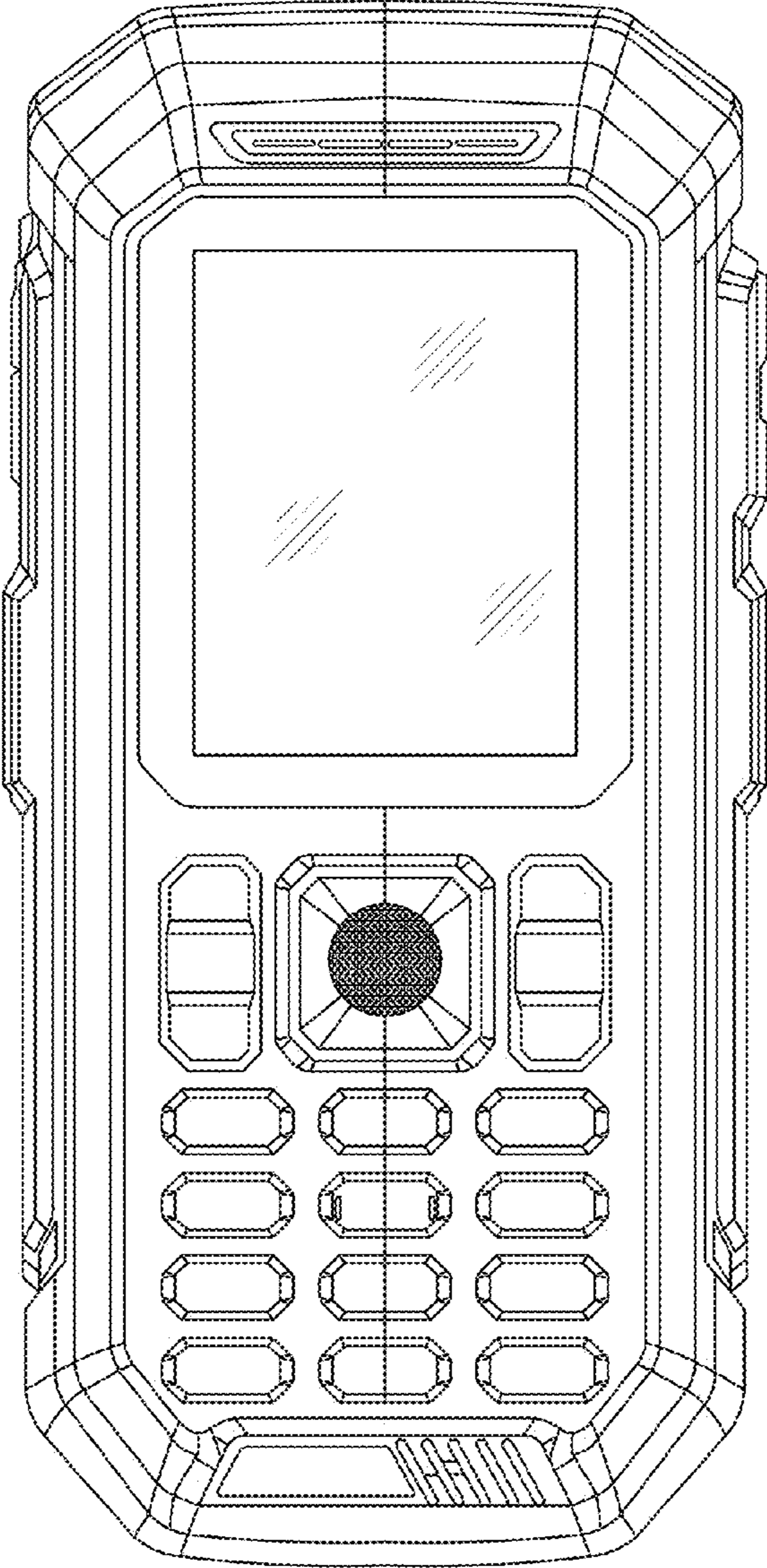


FIG. 3

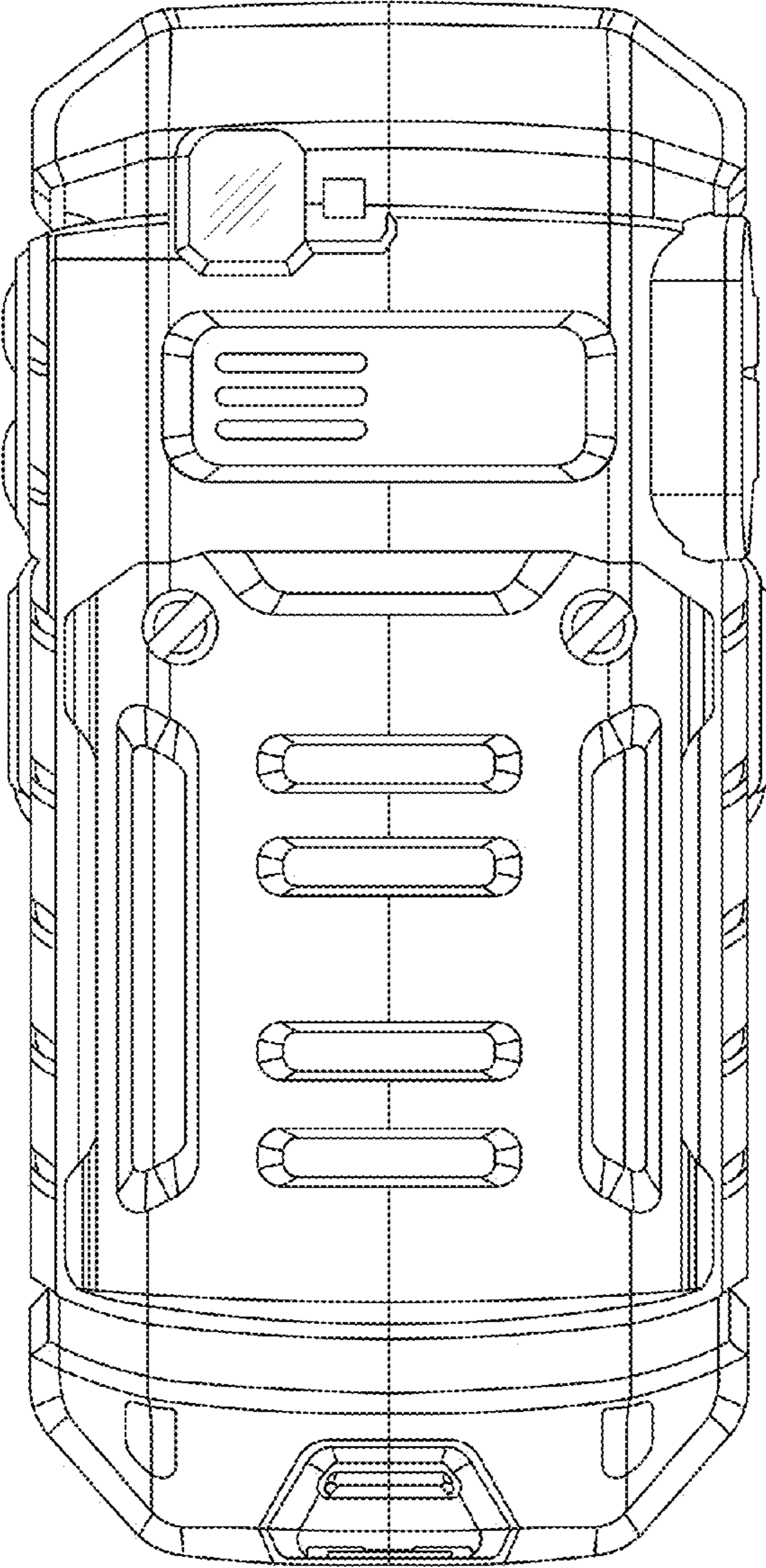


FIG. 4

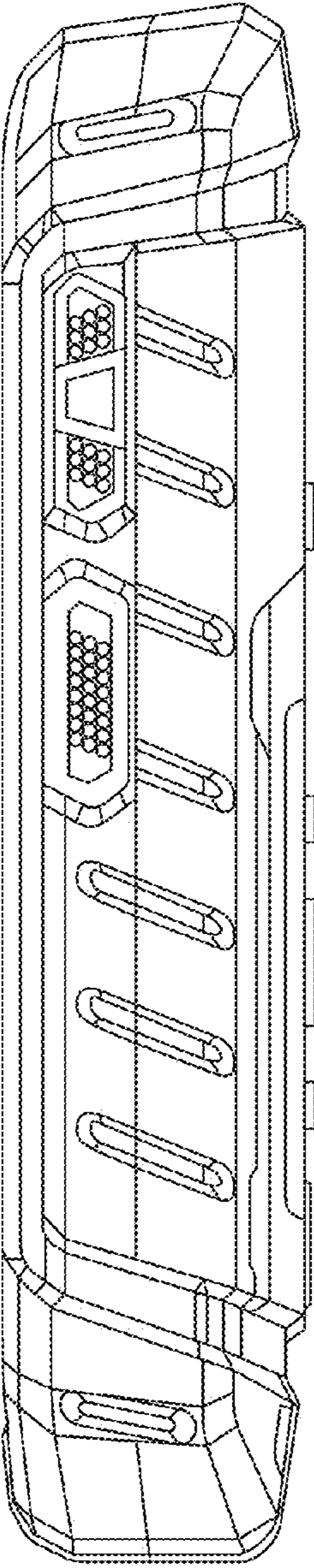


FIG. 5



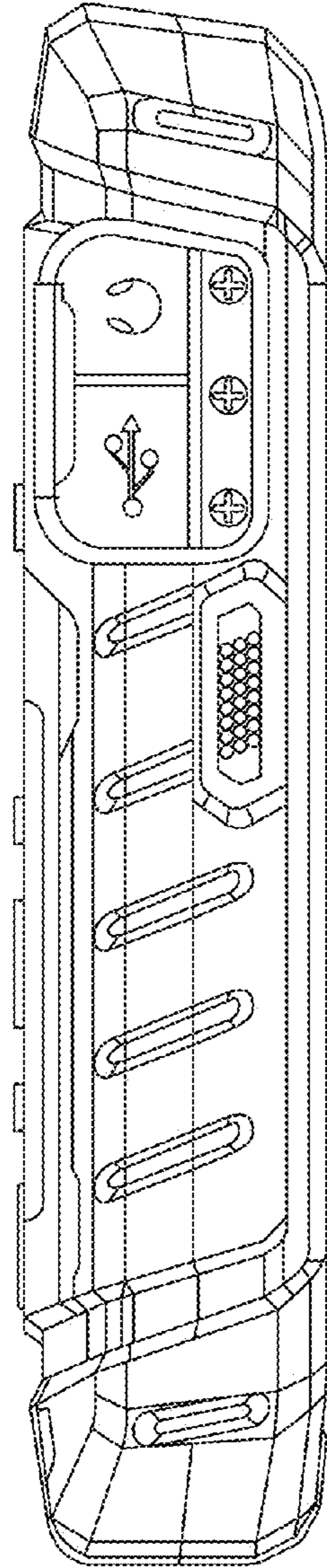


FIG. 6



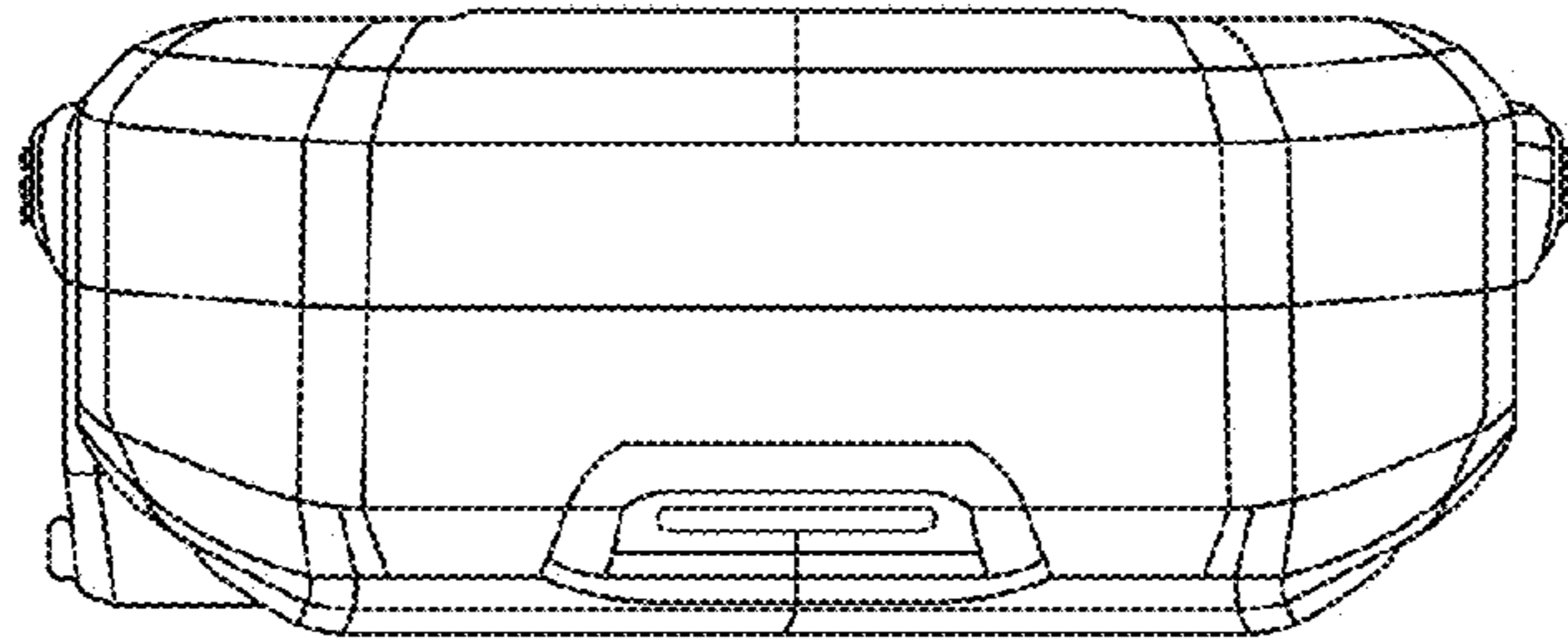


FIG. 7

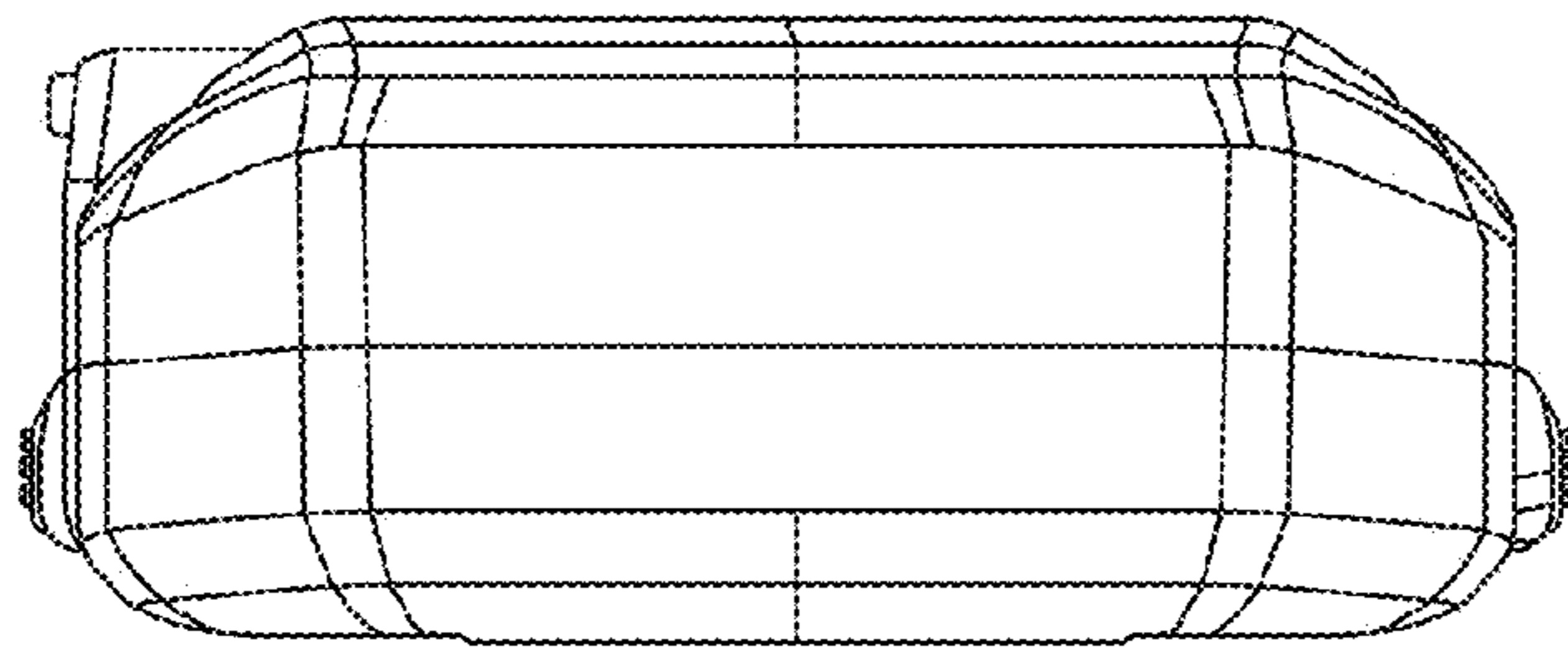


FIG. 8