



US00D721338S

(12) **United States Design Patent**
Andre et al.

(10) **Patent No.:** **US D721,338 S**
(45) **Date of Patent:** **** Jan. 20, 2015**

(54) **THERMAL DEVICE**

(75) Inventors: **Bartley K. Andre**, Menlo Park, CA (US); **Jeremy Bataillou**, San Francisco, CA (US); **Brett Degner**, Menlo Park, CA (US); **Jesse Thomas Dybenko**, San Jose, CA (US); **William Francis Leggett**, San Jose, CA (US); **Nicholas Alan Rundle**, San Jose, CA (US); **Mikael Silvanto**, San Francisco, CA (US)

2004/0114328 A1 6/2004 Chiou
2007/0131383 A1 6/2007 Hattori et al.
2007/0195500 A1 8/2007 Cheng et al.
2007/0267172 A1 11/2007 Hwang et al.
2008/0107523 A1* 5/2008 Chen et al. 415/206

(Continued)

FOREIGN PATENT DOCUMENTS

TW 524639 3/2003
TW 548061 8/2003

(Continued)

(73) Assignee: **Apple Inc.**, Cupertino, CA (US)

(**) Term: **14 Years**

(21) Appl. No.: **29/424,273**

(22) Filed: **Jun. 10, 2012**

(51) **LOC (10) Cl.** **13-03**

(52) **U.S. Cl.**
USPC **D13/179**

(58) **Field of Classification Search**
USPC D13/179; 165/80.3, 104.26, 104.33,
165/122, 151, 185; 257/706, 707, 718-722;
361/695, 697, 700, 702, 704, 709, 710,
361/711, 719

See application file for complete search history.

(56) **References Cited**

U.S. PATENT DOCUMENTS

6,778,392 B2 8/2004 Chiou
6,867,971 B2 3/2005 Lai
6,884,033 B2* 4/2005 Liao 415/206
6,964,556 B2* 11/2005 Chiu et al. 415/205
D539,408 S* 3/2007 Wu et al. D23/370
7,492,588 B2 2/2009 Hwang et al.
7,573,714 B2 8/2009 Ali
7,710,724 B2 5/2010 Takeguchi et al.
7,887,290 B2* 2/2011 Chen et al. 415/206
7,965,512 B2 6/2011 Huang et al.
8,289,699 B2* 10/2012 Hwang et al. 361/679.47
8,295,040 B2 10/2012 Knopf et al.
8,360,718 B2 1/2013 Dybenko et al.

OTHER PUBLICATIONS

Photo Mac Mini 2010 Teardown <http://www.ifixit.com/Teardown/Mac+Mini+Mid+2010+Teardown/3094/2>.
U.S. Appl. No. 29/435,193, filed Oct. 20, 2012.
U.S. Appl. No. 29/424,268, filed Jun. 9, 2012.

(Continued)

Primary Examiner — Selina Sikder

(74) *Attorney, Agent, or Firm* — Saidman DesignLaw Group, LLC

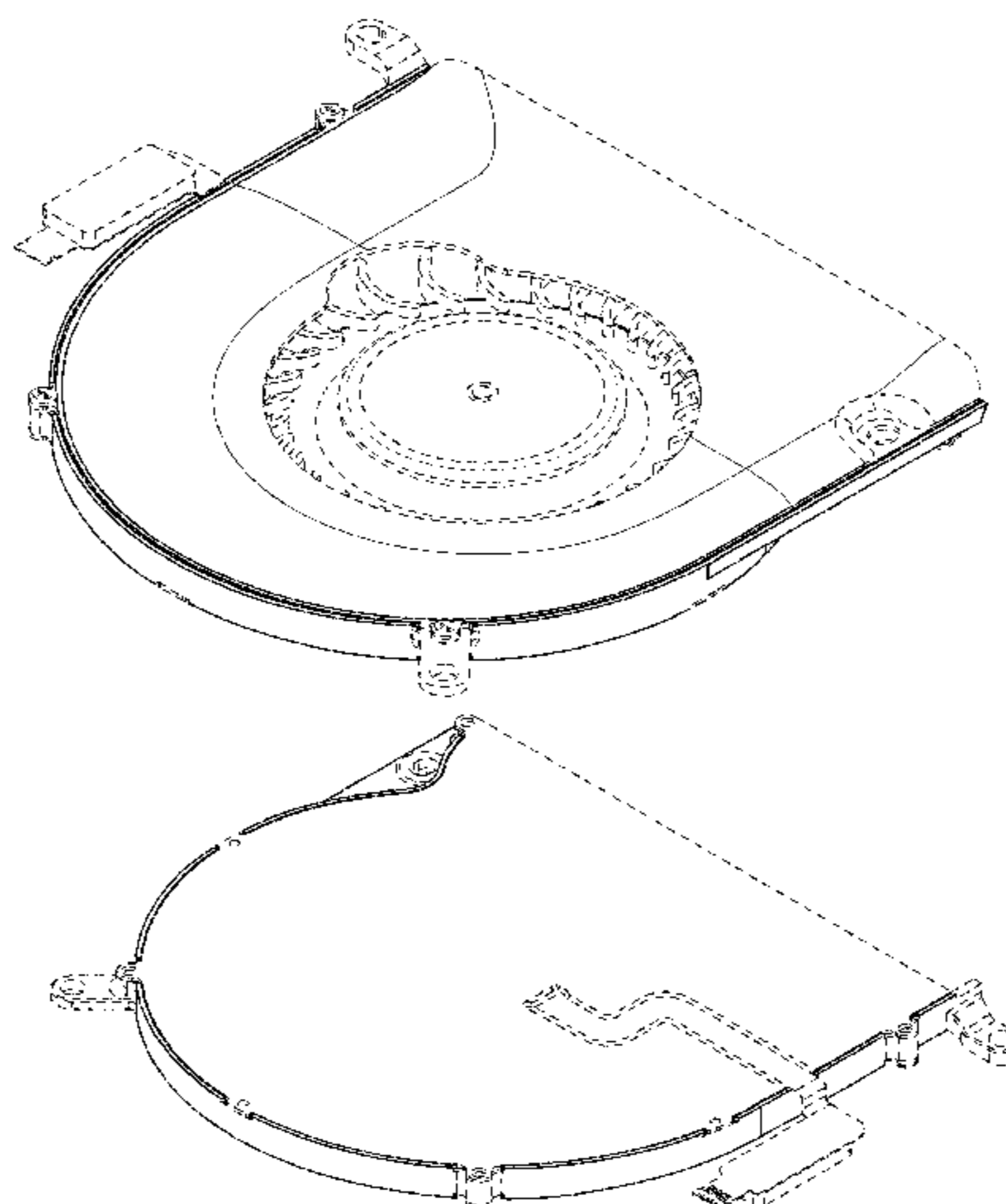
(57) **CLAIM**

The ornamental design for a thermal device, as shown and described.

DESCRIPTION

FIG. 1 is a perspective view of a thermal device showing our new design;
FIG. 2 is another perspective view thereof;
FIG. 3 is a front view thereof;
FIG. 4 is a rear view thereof;
FIG. 5 is a left side view thereof;
FIG. 6 is a right side view thereof;
FIG. 7 is a top view thereof; and,
FIG. 8 is a bottom view thereof.
The drawings include CAD lines that represent contour and not surface decoration.
The broken line showing of the thermal device is for illustrative purposes only and forms no part of the claimed design.

1 Claim, 5 Drawing Sheets



(56)

References Cited

FOREIGN PATENT DOCUMENTS

U.S. PATENT DOCUMENTS

2009/0053052 A1 * 2/2009 Hwang et al. 415/203
2009/0109620 A1 4/2009 Wang et al.
2011/0032675 A1 2/2011 Lian et al.
2011/0157826 A1 6/2011 Hata et al.
2011/0189004 A1 8/2011 Dybenko et al.
2011/0304976 A1 12/2011 Knopf et al.
2012/0224951 A1 9/2012 Degner et al.
2013/0044429 A1 2/2013 Knopf et al.
2013/0075065 A1 3/2013 Degner et al.

TW D111769 7/2006
TW D144403 12/2011
TW D145879 3/2012

OTHER PUBLICATIONS

U.S. Appl. No. 29/435,191, filed Oct. 20, 2012.
U.S. Appl. No. 29/432,923, filed Sep. 22, 2012.

* cited by examiner

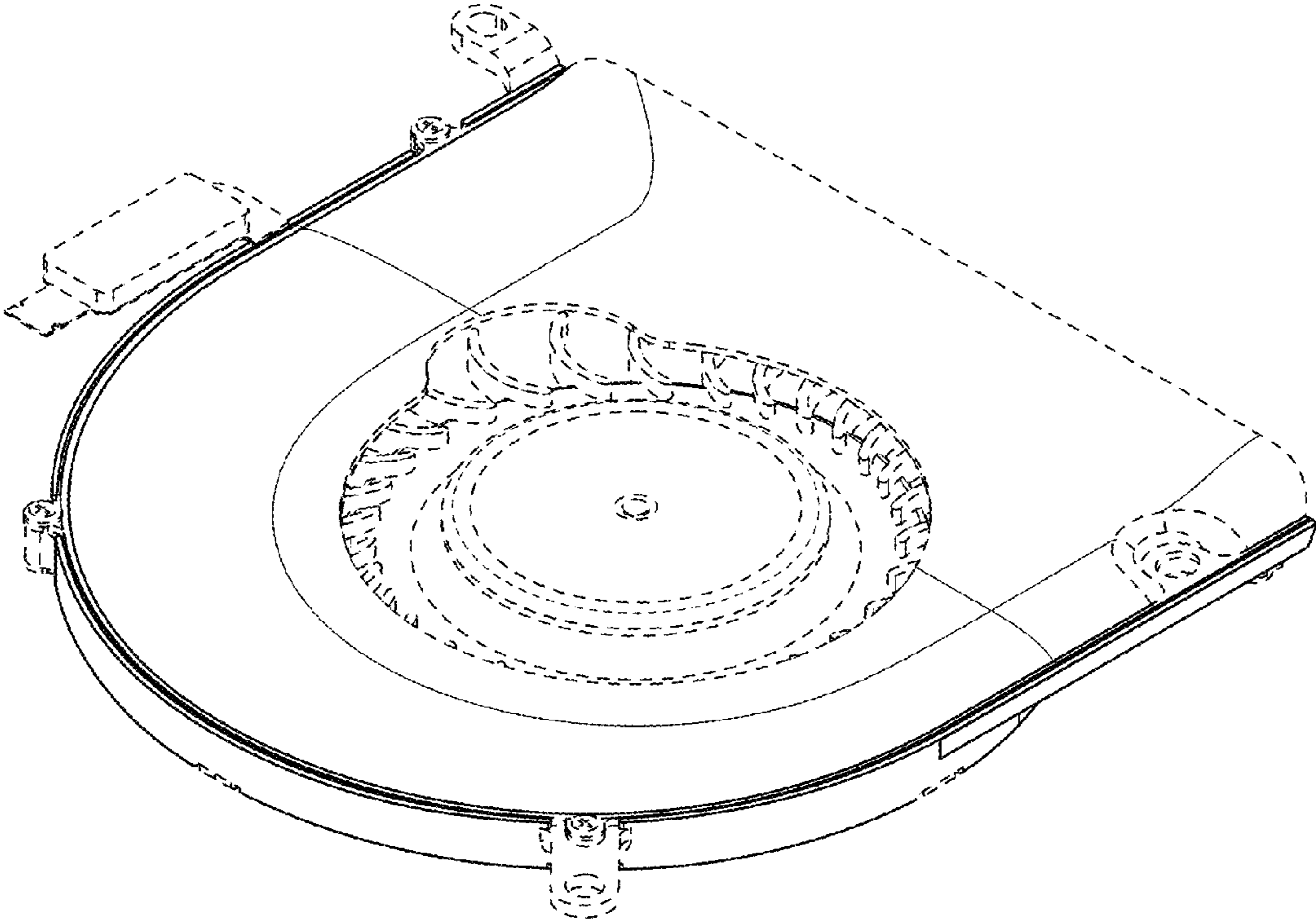


FIG. 1

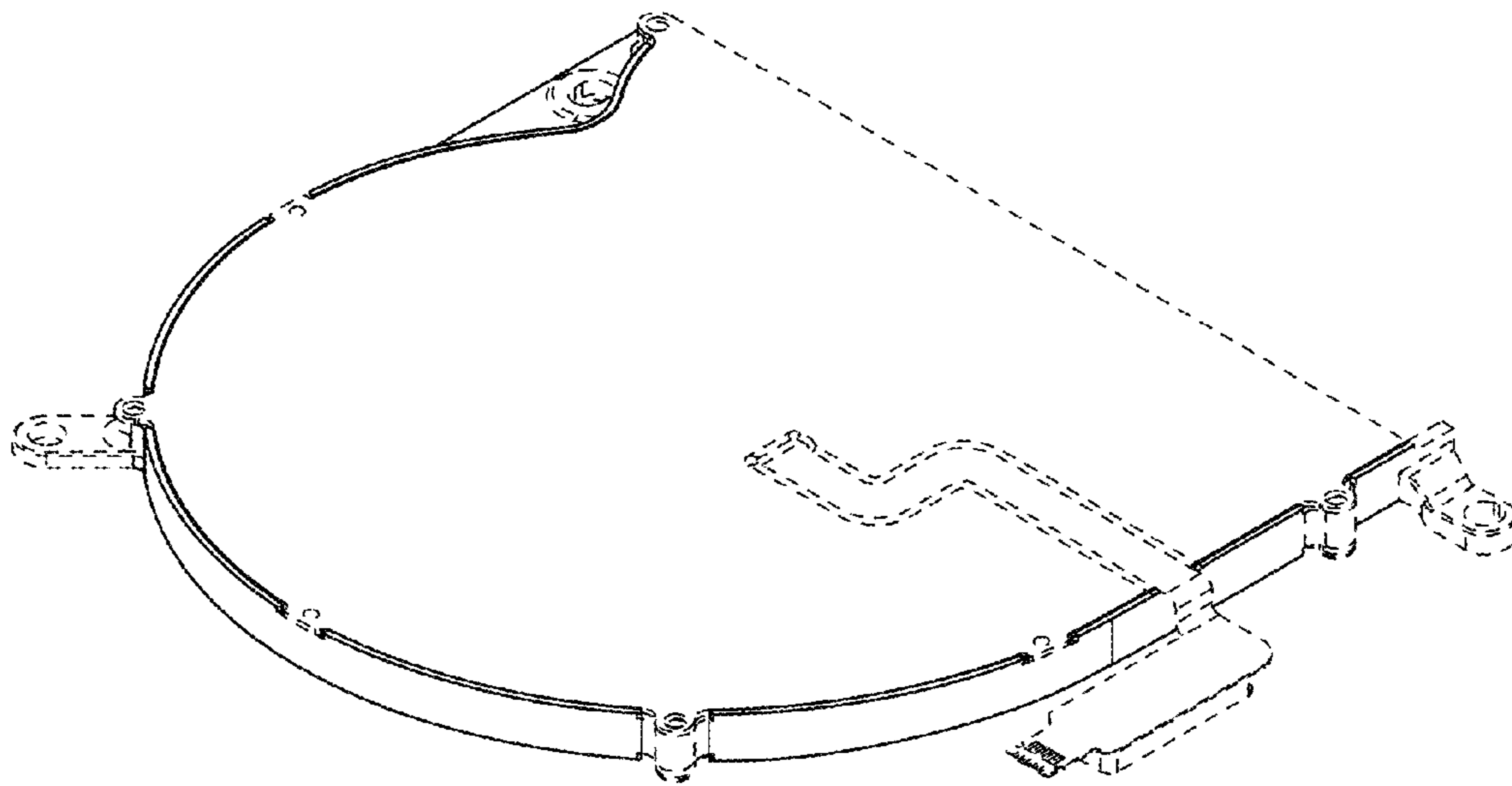


FIG. 2

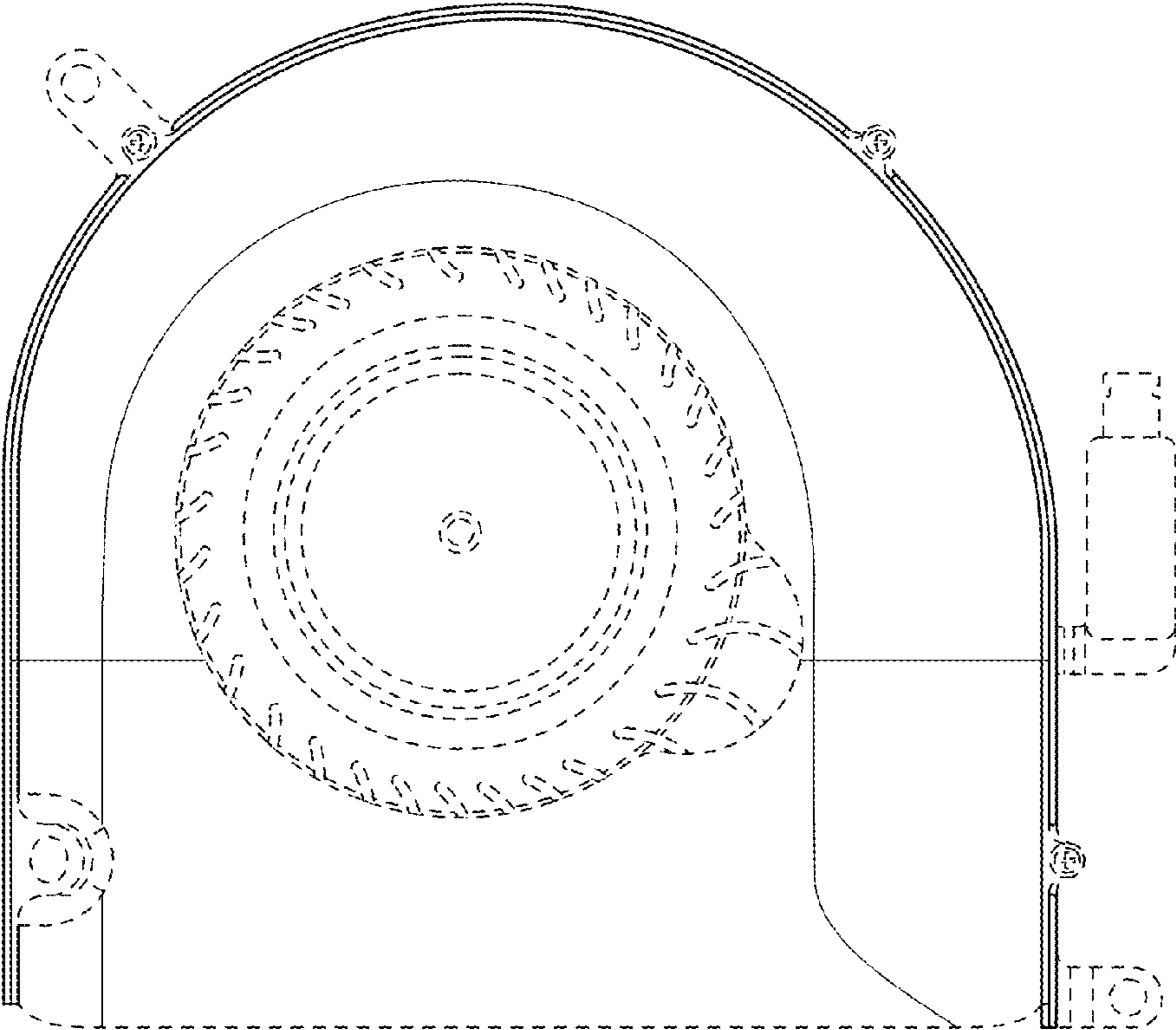


FIG. 3

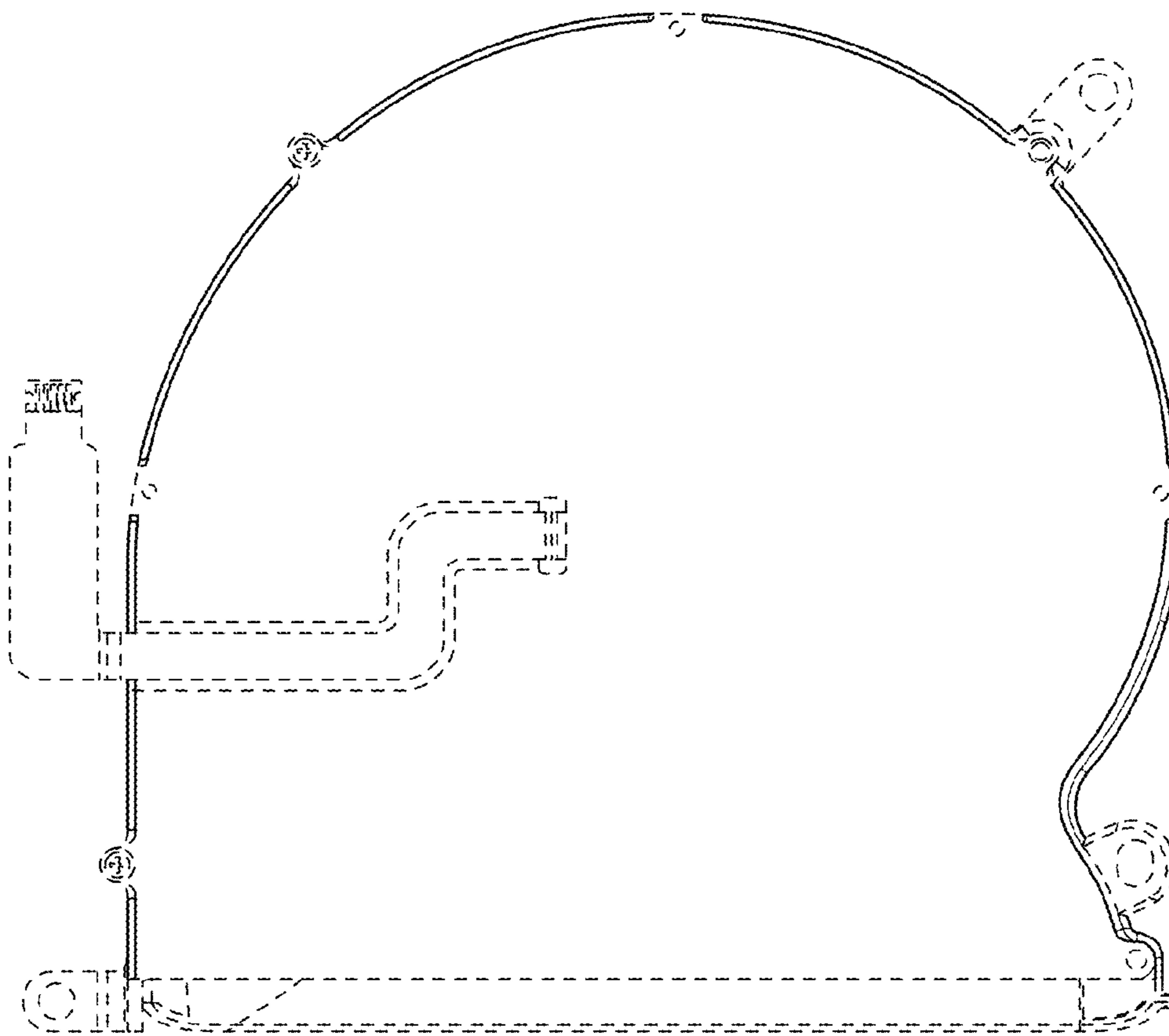


FIG. 4

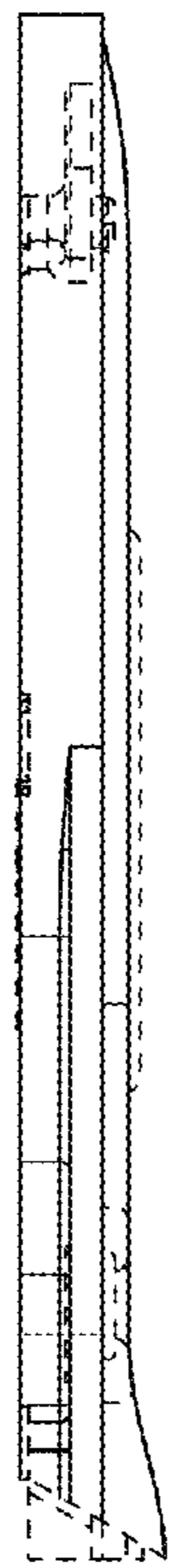


FIG. 5

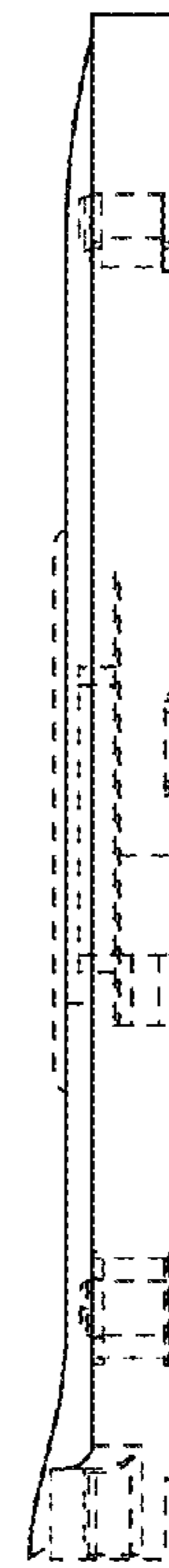


FIG. 6

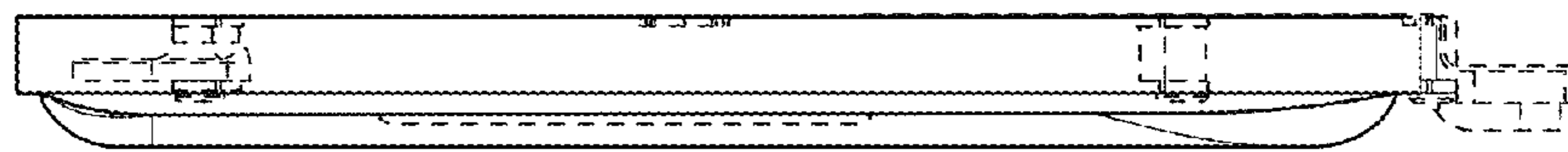


FIG. 7

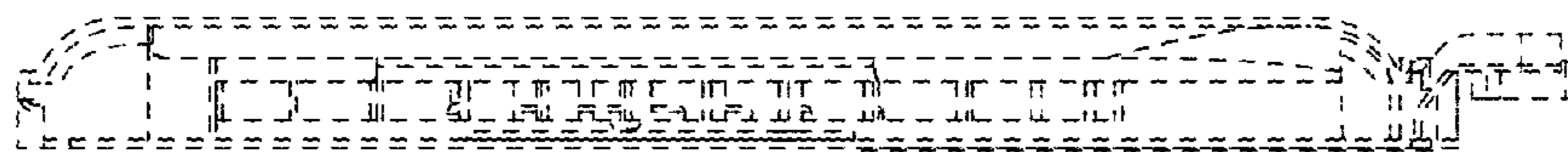


FIG. 8