



US00D721335S

(12) **United States Design Patent**
Smeja

(10) **Patent No.:** **US D721,335 S**
(45) **Date of Patent:** **** Jan. 20, 2015**

- (54) **MULTI-CABLE MANAGER**
- (71) Applicant: **Limitless Innovations, Inc.**, McHenry, IL (US)
- (72) Inventor: **Michael V. Smeja**, Inverness, IL (US)
- (73) Assignee: **Limitless Innovations, Inc.**, McHenry, IL (US)
- (**) Term: **14 Years**
- (21) Appl. No.: **29/436,079**
- (22) Filed: **Oct. 31, 2012**
- (51) **LOC (10) Cl.** **13-03**
- (52) **U.S. Cl.**
USPC **D13/155**
- (58) **Field of Classification Search**
USPC D13/155, 133, 149, 153, 154, 184, 199;
D8/356, 358, 499; D9/424, 426, 428,
D9/432; D28/73, 82, 83; 174/68.1, 72 C,
174/135, 266; 242/601; 439/369, 384, 499,
439/607.41
See application file for complete search history.

6,331,121	B1	12/2001	Raeford, Sr.	
6,378,797	B1	4/2002	Liao	
D456,692	S *	5/2002	Epstein	D8/356
D461,168	S *	8/2002	Liao	D13/155
6,702,077	B2	3/2004	Skowronski	
6,736,669	B1 *	5/2004	Martin et al.	439/527
6,966,791	B1	11/2005	Farr	
7,077,693	B1 *	7/2006	Symons	439/501
7,168,967	B1	1/2007	Yen	
D549,091	S *	8/2007	McIntyre et al.	D8/399
7,464,893	B2	12/2008	Spjet	
D597,963	S *	8/2009	Mulch et al.	D13/155
7,649,279	B2	1/2010	Lanni	
7,863,770	B2	1/2011	Lanni	
D631,730	S *	2/2011	Skillman	D8/356
7,901,241	B1	3/2011	Larkin	
D648,685	S *	11/2011	Symons	D13/155

OTHER PUBLICATIONS

GlobalSouces web page [online]; [retrieved on Apr. 6, 2012];
retrieved from the Internet: URL: <upo.manufacturer.globalsources.com/...gelimage/.

(Continued)

Primary Examiner — Derrick Holland
(74) *Attorney, Agent, or Firm* — Reed Smith, LLP

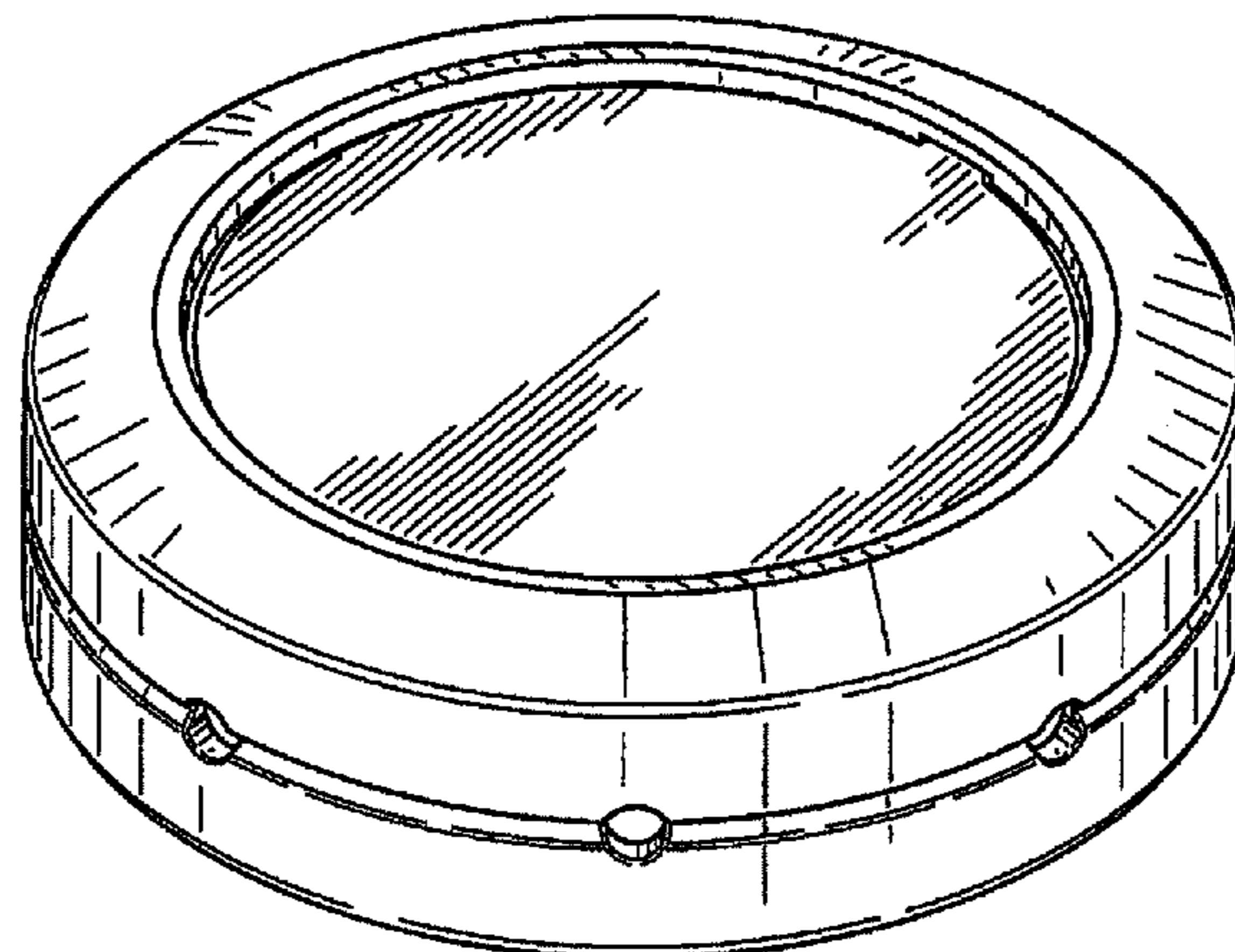
(57) **CLAIM**
The ornamental design for a multi-cable manager, as shown and described.

DESCRIPTION

FIG. 1 is a perspective view of a multi-cable manager showing my new design;
FIG. 2 is a first side view thereof;
FIG. 3 is a second side view thereof,
FIG. 4 is a third side view thereof;
FIG. 5 is a top plan view thereof; and,
FIG. 6 is a bottom plan view thereof.
The broken lines shown represent unclaimed subject matter and form no part of the claimed design.

1 Claim, 3 Drawing Sheets

- (56) **References Cited**
- U.S. PATENT DOCUMENTS
- D92,530 S * 6/1934 Frank D13/155
- D229,668 S * 12/1973 Boone D8/358
- 3,809,331 A 5/1974 Gaul
- 4,901,938 A 2/1990 Cantley
- D330,193 S * 10/1992 Zorndorf D13/155
- 5,162,719 A 11/1992 Tomura et al.
- 5,200,685 A 4/1993 Sakamoto
- 5,489,010 A 2/1996 Rogers
- 5,669,571 A 9/1997 Graybill
- 5,690,198 A 11/1997 Lohr
- 5,762,281 A * 6/1998 Foley 242/376
- 5,853,136 A 12/1998 Lai
- 6,048,211 A 4/2000 Liaom
- 6,065,708 A 5/2000 Matsubara



(56)

References Cited

OTHER PUBLICATIONS

Auto-retractable-Cat.5-6/product_id-1008675099/action-GetProduct.htm>.

Alibaba web page [online]; [retrieved on Apr. 6, 2012:] retrieved from the Internet: URL: <www.alibaba.com/product-gs/512931025/Cuustom_plasti_mouse_cable_wire_organizer.html>.

* cited by examiner

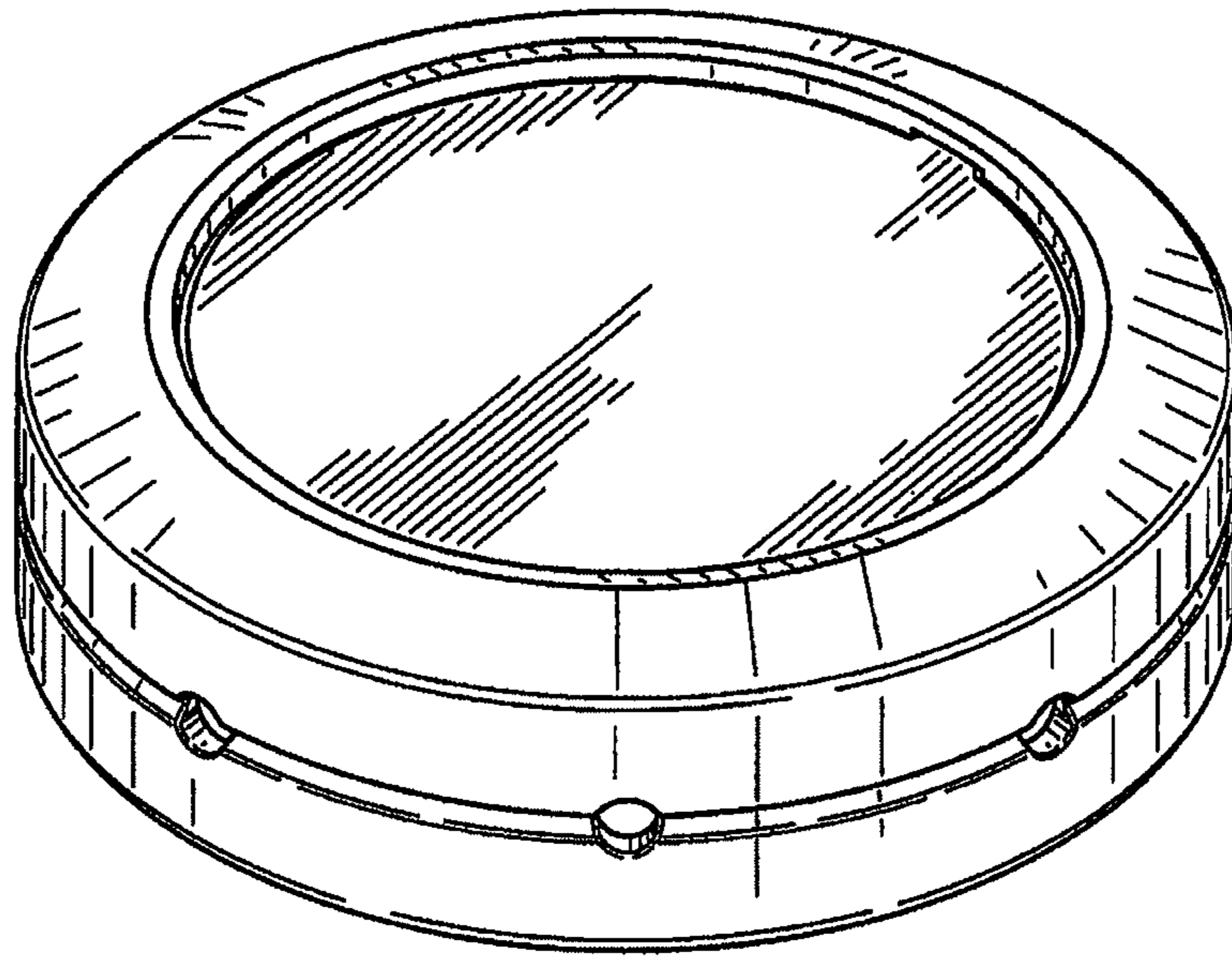


FIG. 1

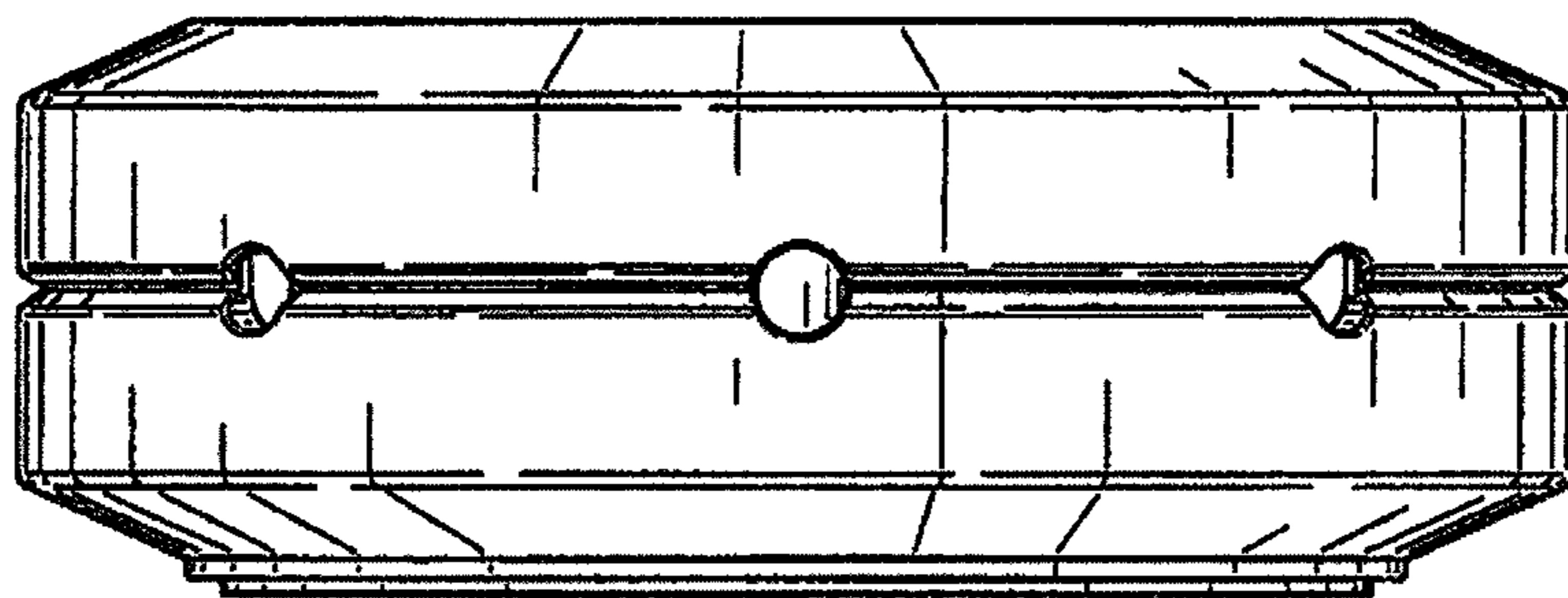


FIG. 2

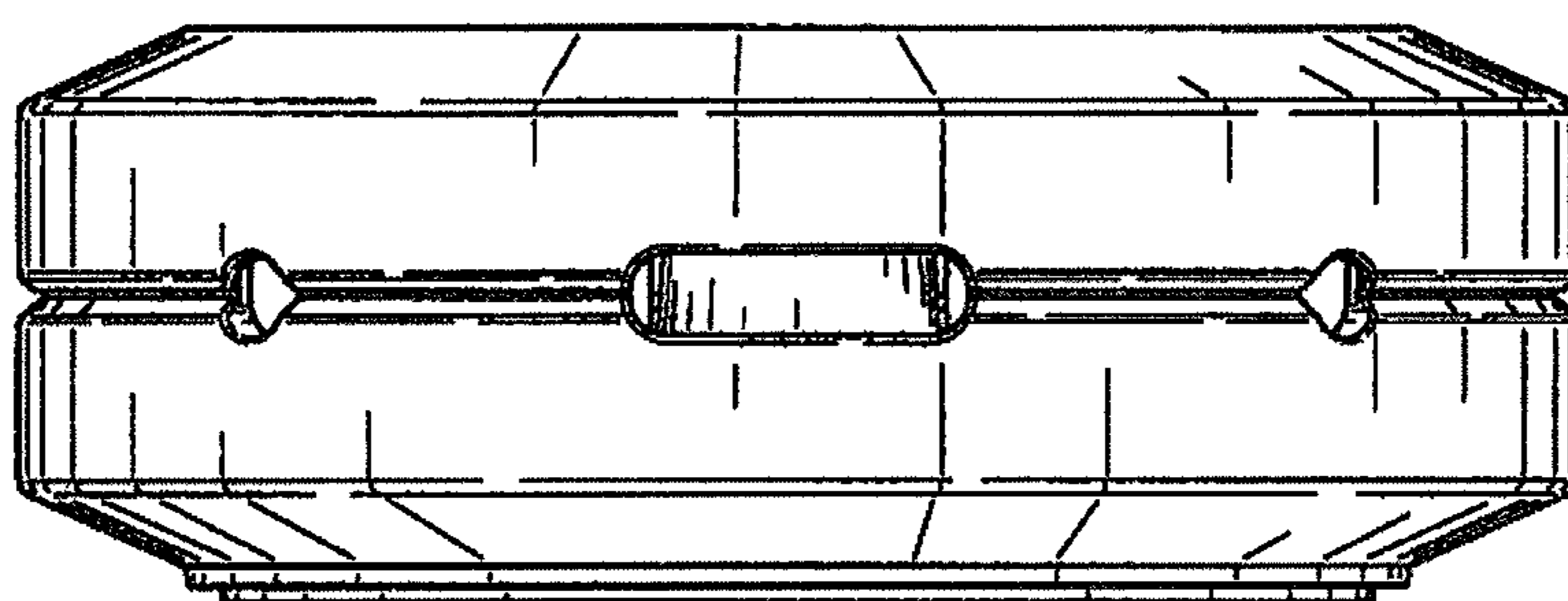


FIG. 3

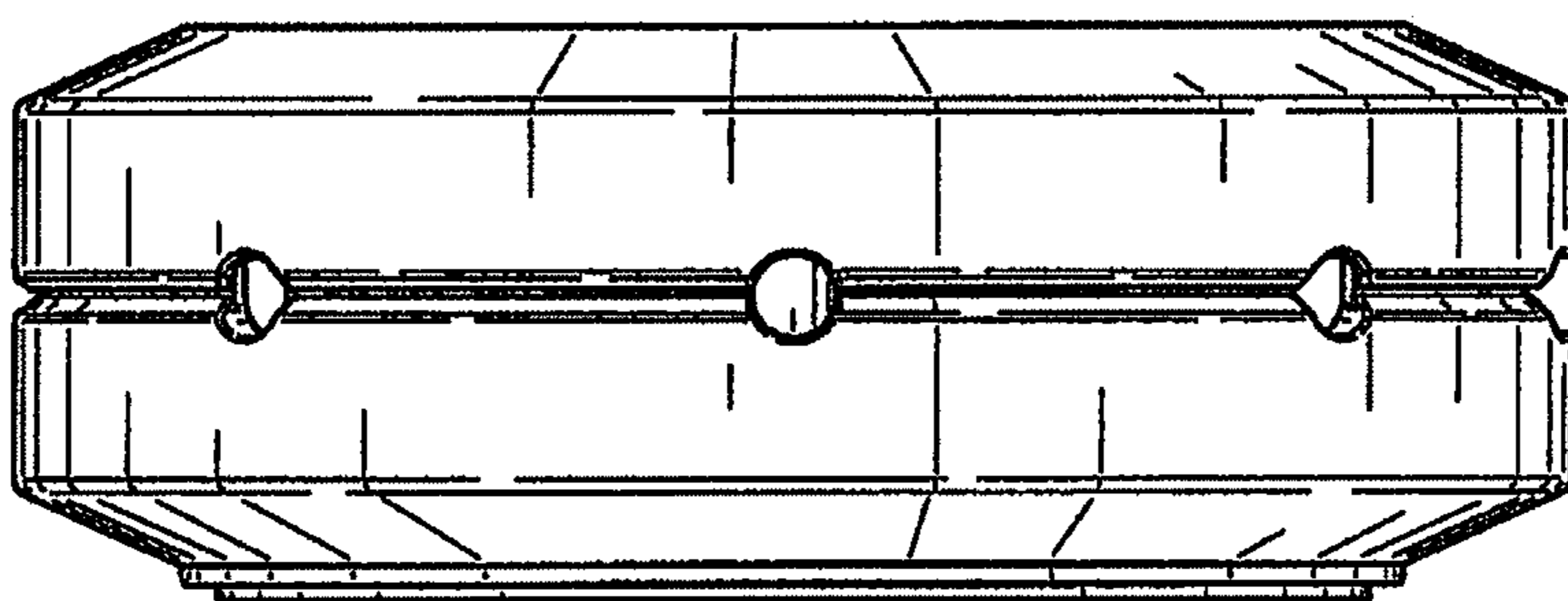


FIG. 4

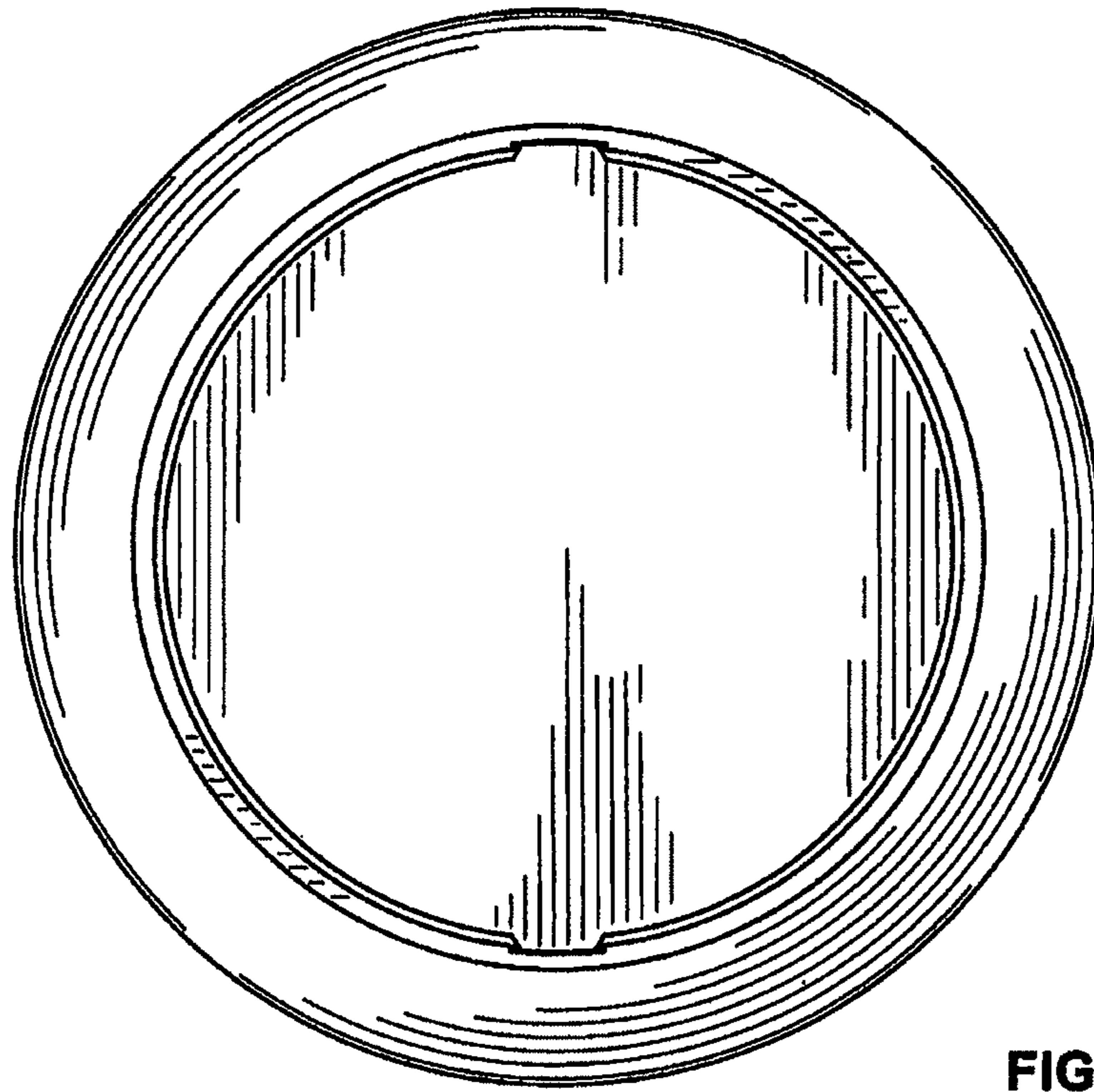


FIG. 5

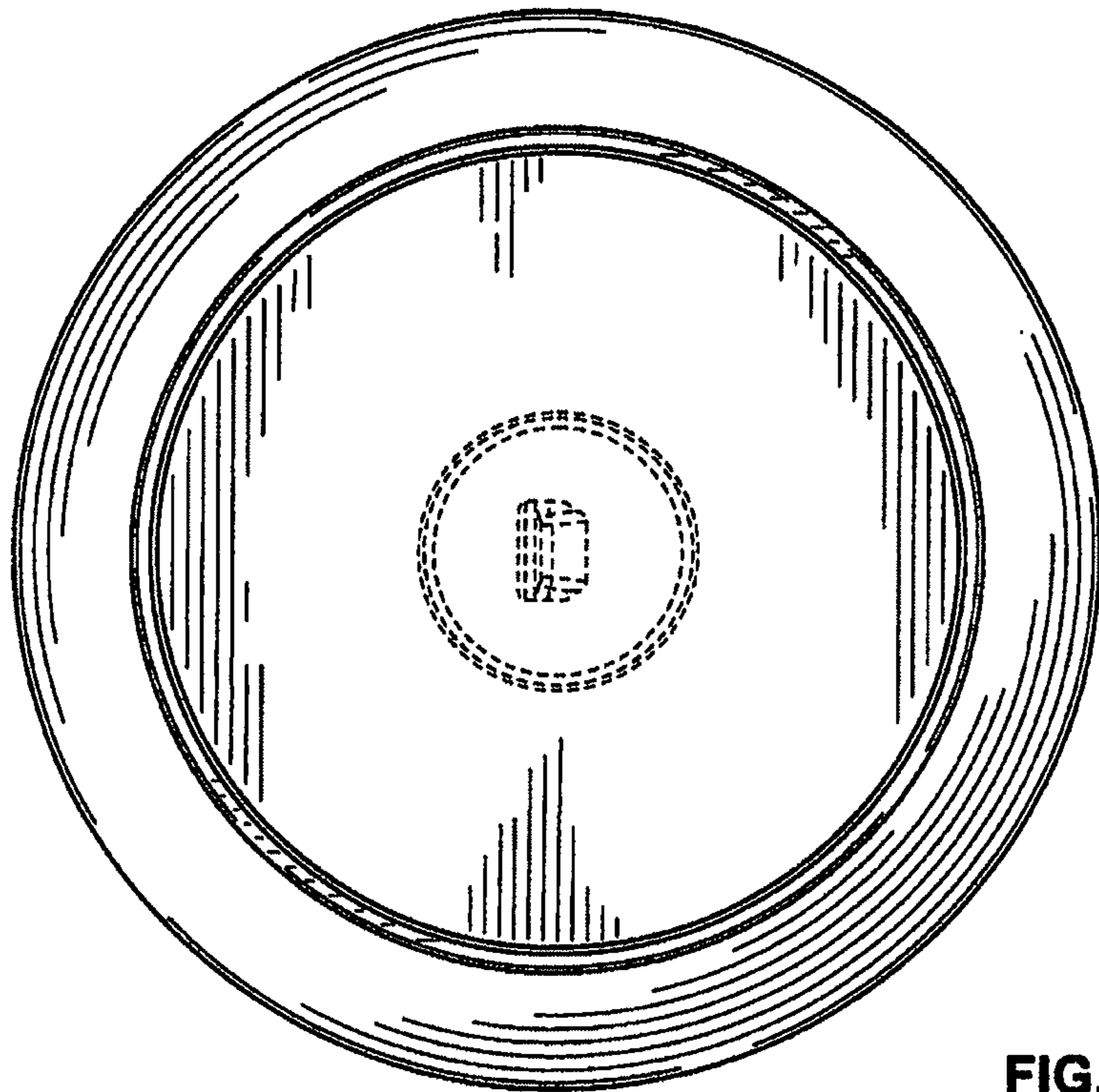


FIG. 6