



US00D721334S

(12) **United States Design Patent**
Maines

(10) **Patent No.:** **US D721,334 S**

(45) **Date of Patent:** **** Jan. 20, 2015**

(54) **ADAPTER FITTING**

(75) Inventor: **Jim Maines**, South Pasadena, CA (US)

(73) Assignee: **James Maines**, Alhambra, CA (US)

(**) Term: **14 Years**

(21) Appl. No.: **29/431,830**

(22) Filed: **Sep. 11, 2012**

(51) **LOC (10) Cl.** **13-03**

(52) **U.S. Cl.**
USPC **D13/151**

(58) **Field of Classification Search**
USPC D13/133-134, 151, 155, 184, 199;
D14/432-433; 439/586-589, 346, 278,
439/296, 345, 299, 300, 312, 320, 322, 323,
439/581; 174/135, 136, 650, 651, 652, 655,
174/657, 659, 660, 665

See application file for complete search history.

(56) **References Cited**

U.S. PATENT DOCUMENTS

4,497,530	A *	2/1985	Shannon	439/312
5,051,541	A *	9/1991	Bawa et al.	174/655
D458,592	S *	6/2002	Gust et al.	D13/155
6,722,922	B2 *	4/2004	Cykon et al.	439/587
7,422,463	B2 *	9/2008	Kuo	439/349
7,504,582	B1 *	3/2009	Chiu	174/650
D659,100	S *	5/2012	Deiss	D13/151

* cited by examiner

Primary Examiner — Derrick Holland

Assistant Examiner — Lauren Calve

(57) **CLAIM**

The ornamental design for an adapter fitting, as shown and described.

DESCRIPTION

FIG. 1 is a perspective view of an adapter fitting;
FIG. 2 is a front view thereof;
FIG. 3 is a side view thereof;
FIG. 4 is a top view thereof;
FIG. 5 is a bottom view thereof; and,
FIG. 6 is a cross-sectional view according to line 6-6 as indicated in FIG. 4.

1 Claim, 6 Drawing Sheets

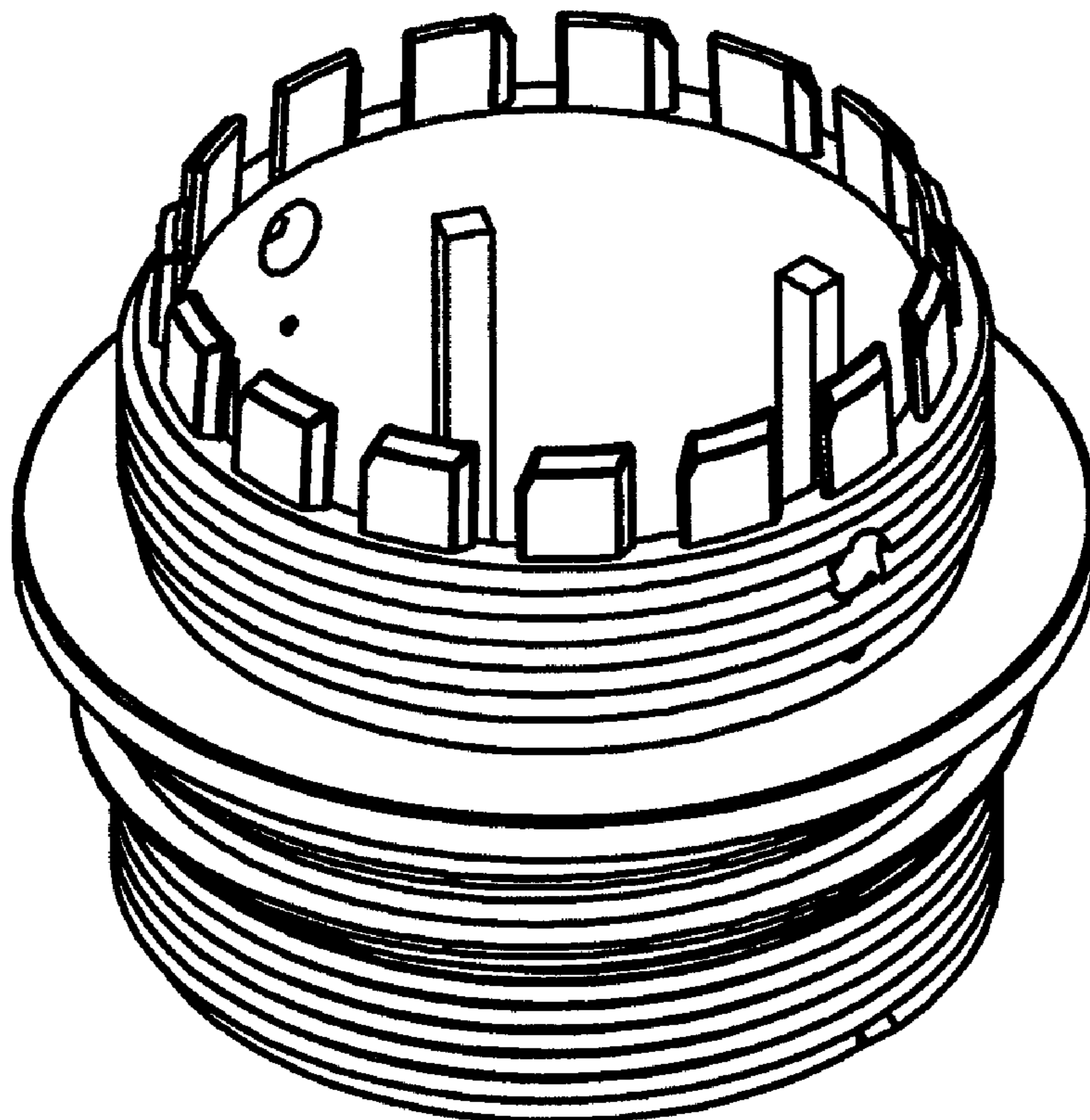


FIG. 1

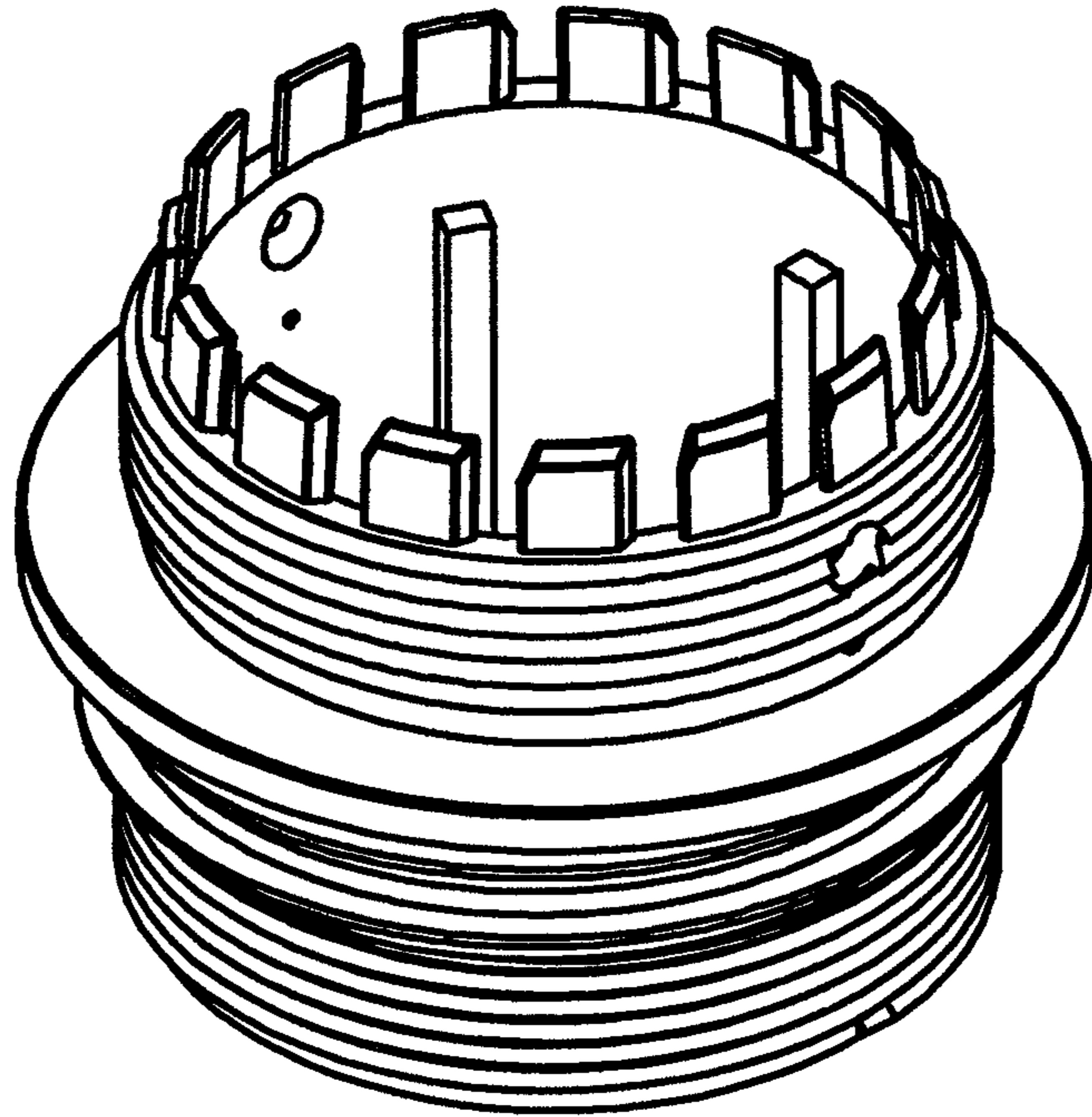


FIG. 2

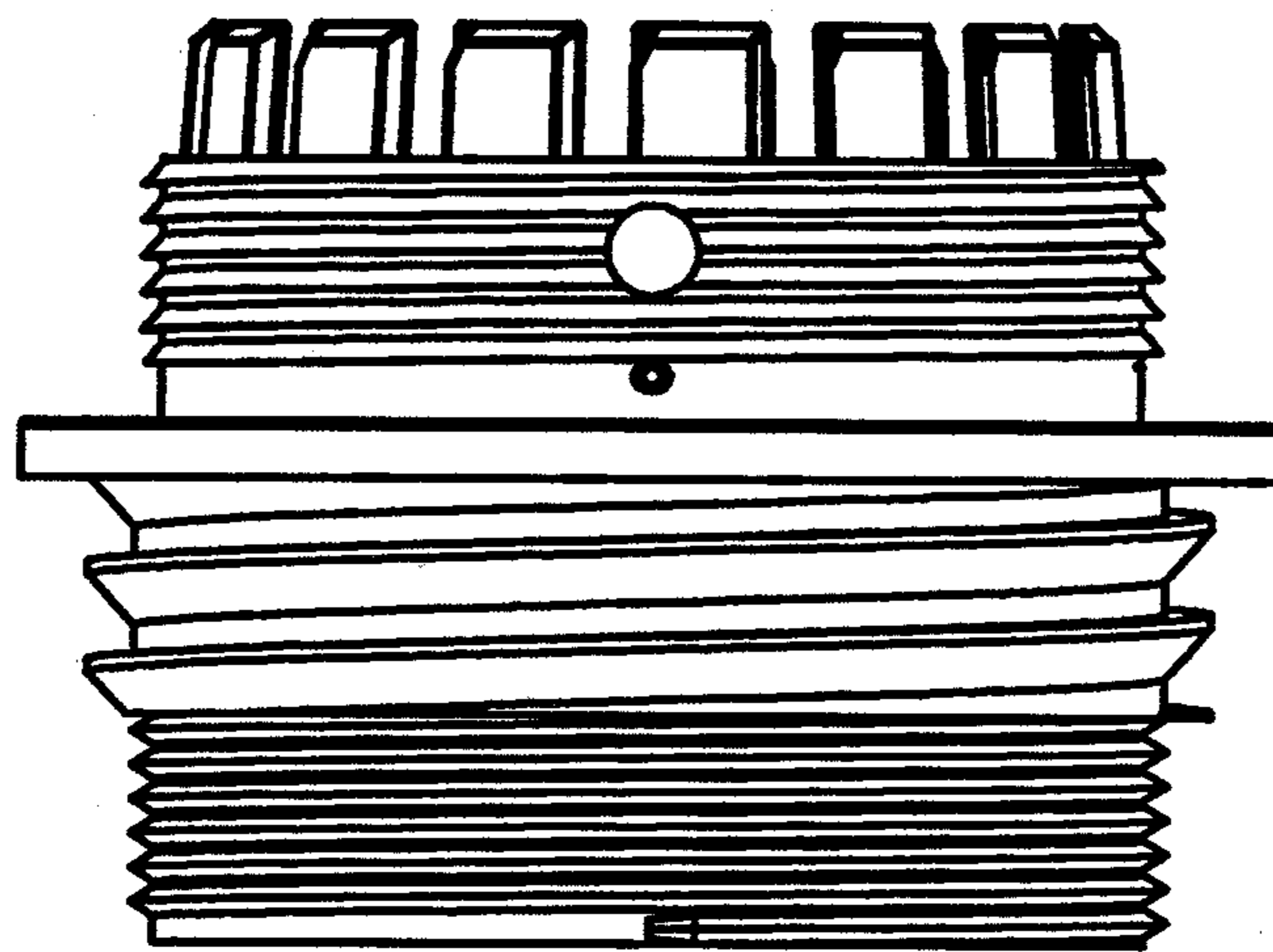


FIG. 3

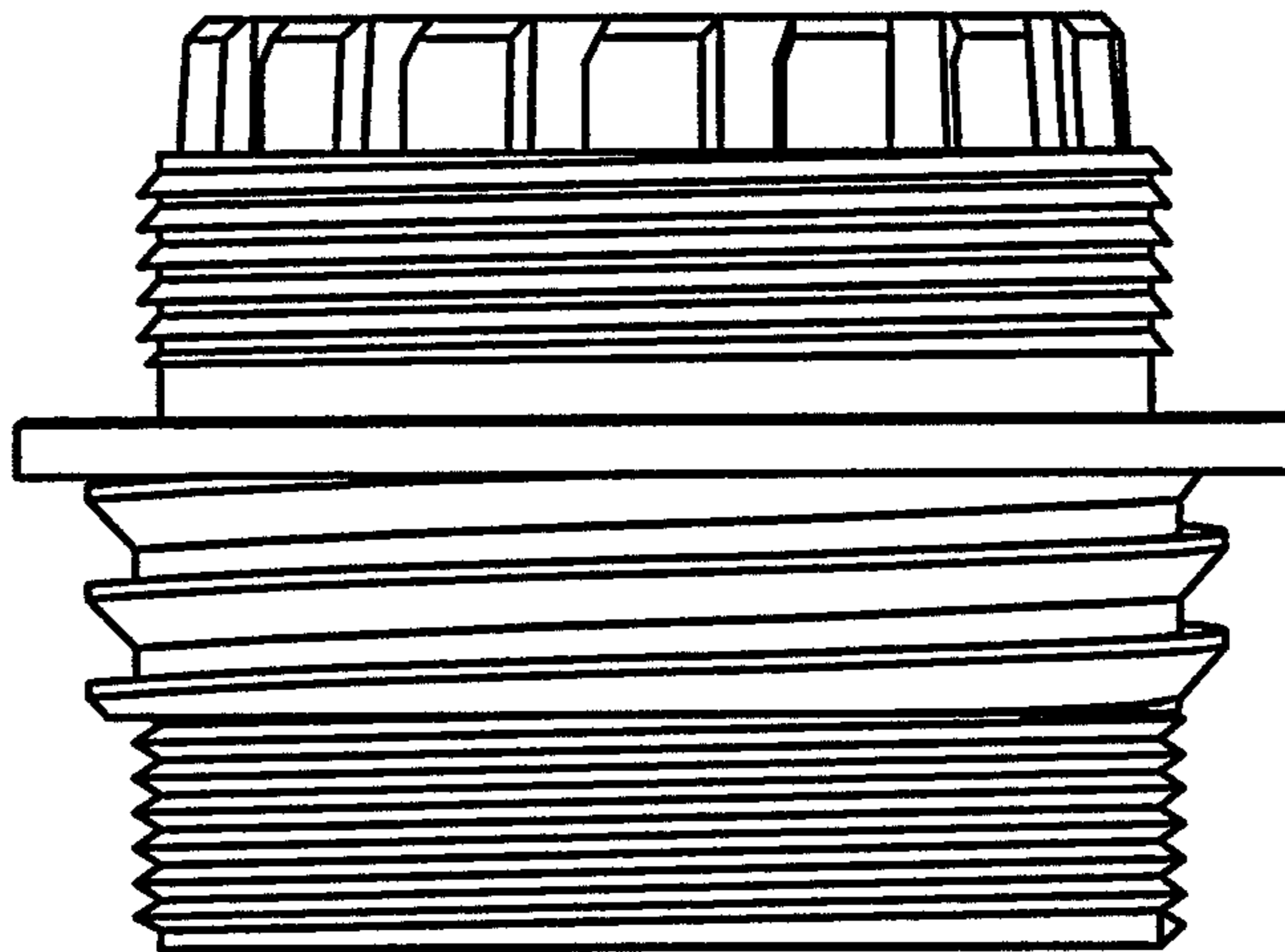


FIG. 4

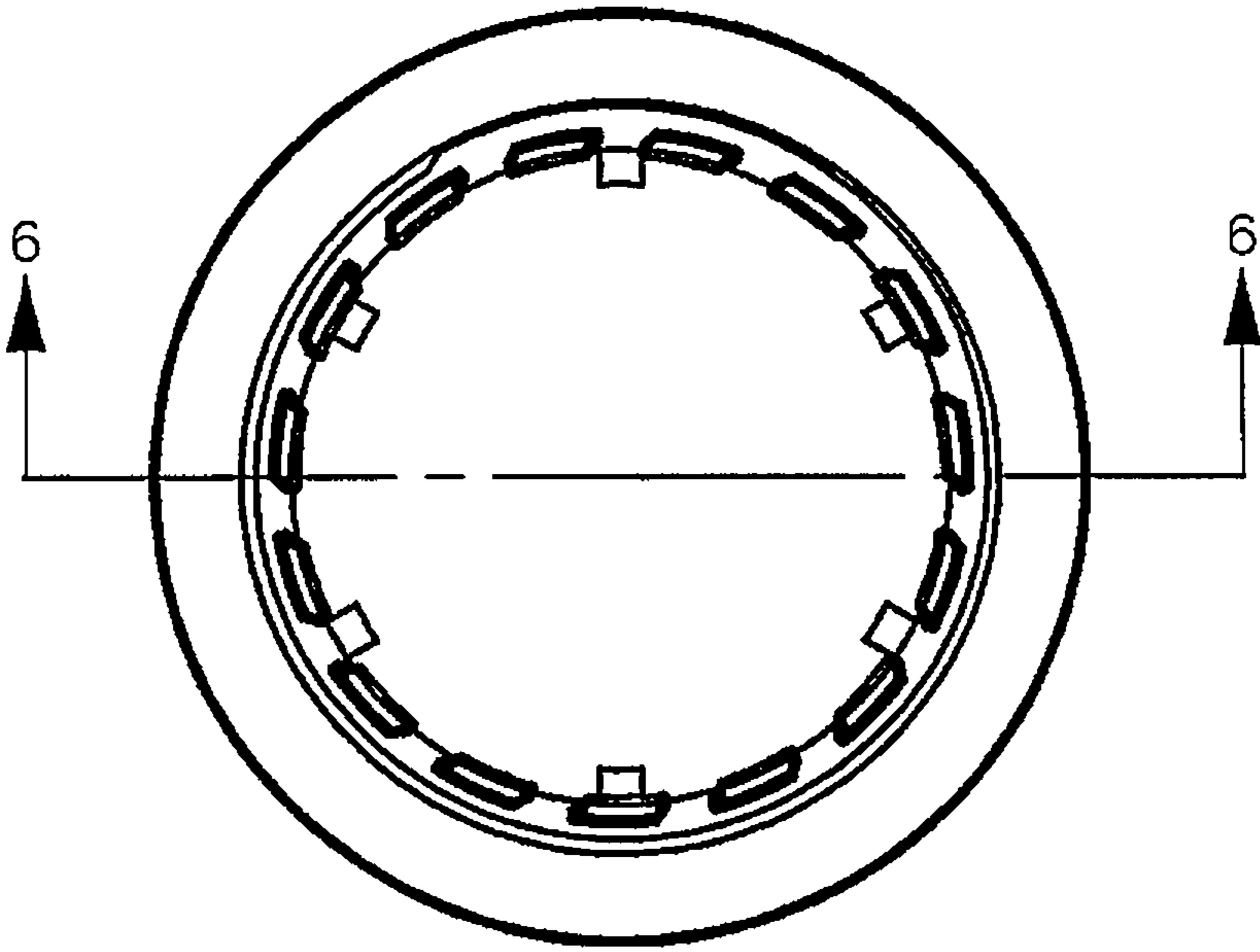


FIG. 5

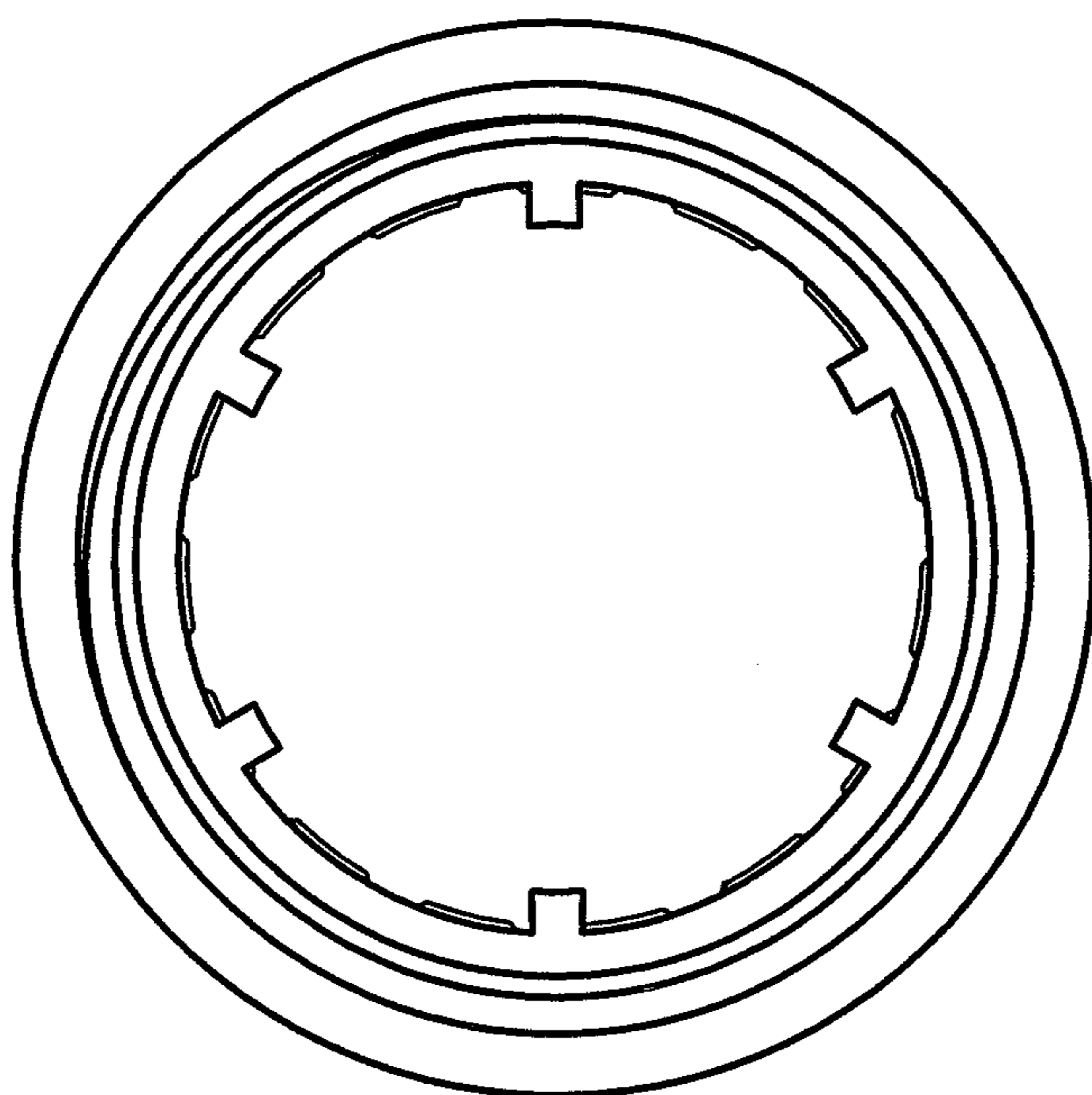


FIG. 6

