



US00D721333S

(12) **United States Design Patent**  
**Leis et al.**

(10) **Patent No.:** **US D721,333 S**  
(45) **Date of Patent:** **\*\* Jan. 20, 2015**

(54) **LUG BLOCK OF A LINE STAB UNIT**

(71) Applicant: **Rockwell Automation Technologies, Inc.**, Mayfield Heights, OH (US)

(72) Inventors: **Kenneth K. Leis**, Wukessa, WI (US); **Dean Thomas Meyer**, Oak Creek, WI (US); **Paul T. Krause**, Fredonia, WI (US); **Troy M. Bellows**, Racine, WI (US); **Thomas J. Becker**, Milwaukee, WI (US)

(73) Assignee: **Rockwell Automation Technologies, Inc.**, Mayfield Heights, OH (US)

(\*\*) Term: **14 Years**

(21) Appl. No.: **29/485,773**

(22) Filed: **Mar. 21, 2014**

**Related U.S. Application Data**

(63) Continuation of application No. 14/049,925, filed on Oct. 9, 2013.

(51) **LOC (10) Cl.** ..... **13-03**

(52) **U.S. Cl.**  
USPC ..... **D13/148**; D13/118

(58) **Field of Classification Search**  
USPC ..... D13/101, 118, 122, 133, 148, 149, 154, D13/184, 199; 200/305; 337/86, 113; 361/634, 637, 650, 652, 663, 673, 361/679.01, 679.02; 439/212, 798, 810, 439/814

See application file for complete search history.

(56) **References Cited**

**U.S. PATENT DOCUMENTS**

4,093,970 A \* 6/1978 M'Sadoques et al. .... 361/650  
4,214,806 A \* 7/1980 Kraft ..... 439/620.21

D268,751 S *	4/1983	Froh .....	D13/148
5,107,396 A *	4/1992	Rosen et al. ....	361/637
D325,899 S *	5/1992	Krokaugger .....	D13/151
5,190,485 A *	3/1993	Ransdell .....	439/798
D361,750 S *	8/1995	Ansley .....	D13/151
6,084,188 A *	7/2000	Mueller et al. ....	200/305
6,437,268 B1 *	8/2002	Etscheidt et al. ....	200/305
6,529,112 B1 *	3/2003	Leone .....	337/113
7,772,723 B1 *	8/2010	Flegel .....	307/125
2012/0064746 A1 *	3/2012	Bellows et al. ....	439/212

\* cited by examiner

*Primary Examiner* — Derrick Holland

(74) *Attorney, Agent, or Firm* — Fletcher Yoder, P.C.

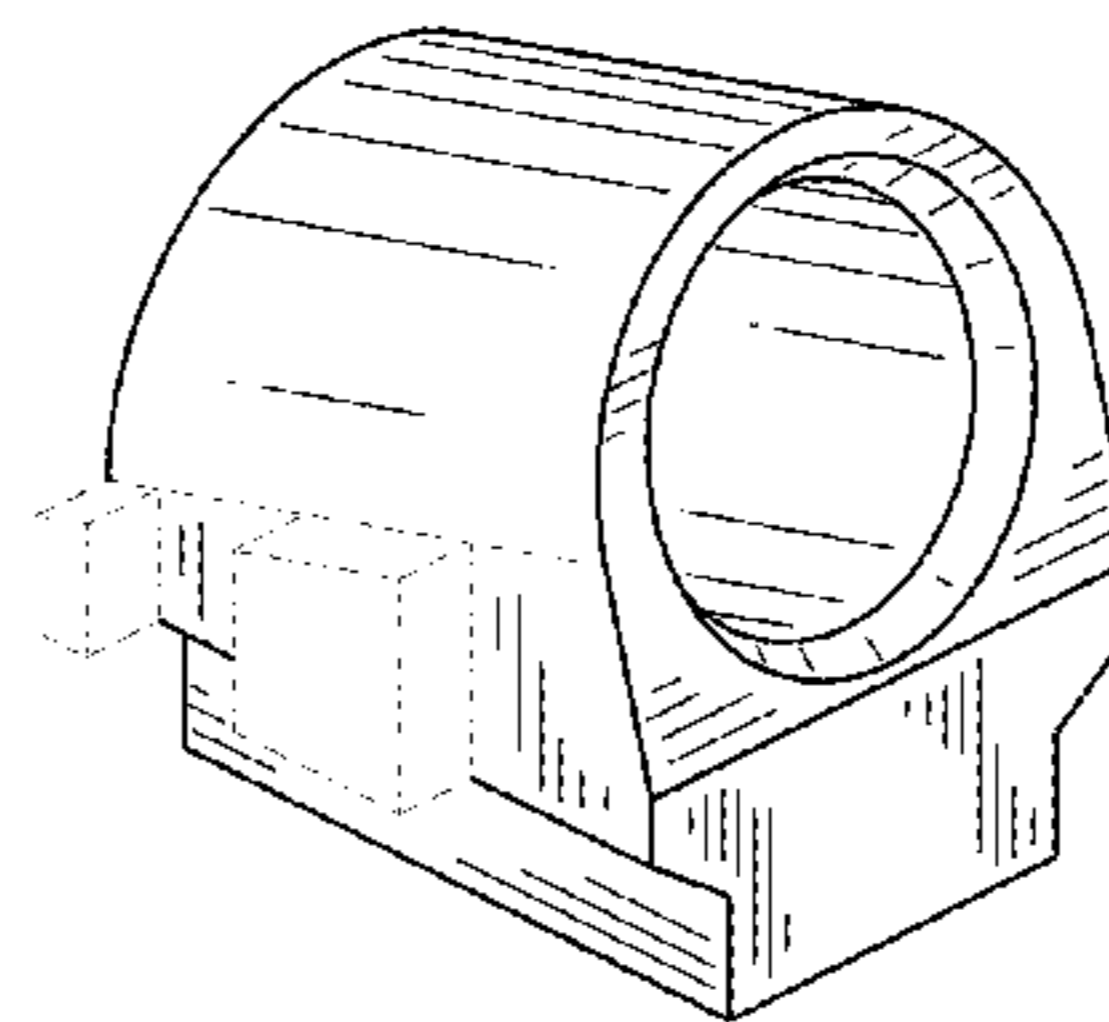
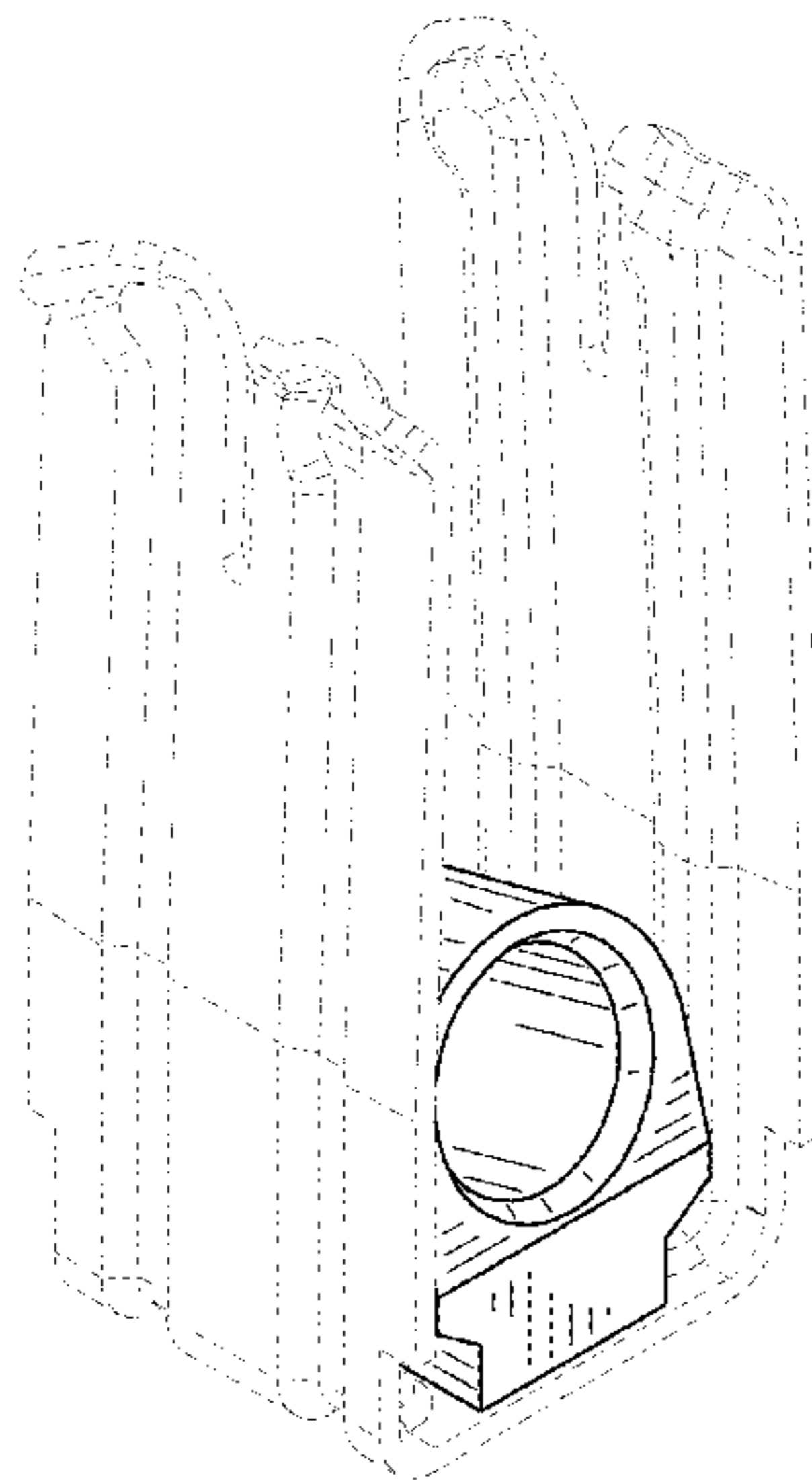
(57) **CLAIM**

The ornamental design for a lug block of a line stab unit, as shown and described.

**DESCRIPTION**

FIG. 1 is a front perspective view of a lug block of a line stab unit showing our new design in environmental use;  
FIG. 2 is a left side view thereof;  
FIG. 3 is a right side view thereof;  
FIG. 4 is a front view thereof;  
FIG. 5 is a back view thereof;  
FIG. 6 is a top plan view thereof;  
FIG. 7 is a bottom plan view thereof;  
FIG. 8 is a second front perspective view of a lug block of a line stab unit showing our new design;  
FIG. 9 is a left side view thereof;  
FIG. 10 is a right side view thereof;  
FIG. 11 is a front view thereof;  
FIG. 12 is a back view thereof;  
FIG. 13 is a top plan view thereof; and,  
FIG. 14 is a bottom plan view thereof.  
The broken lines shown represent unclaimed subject matter and form no part of the claimed design.

**1 Claim, 6 Drawing Sheets**



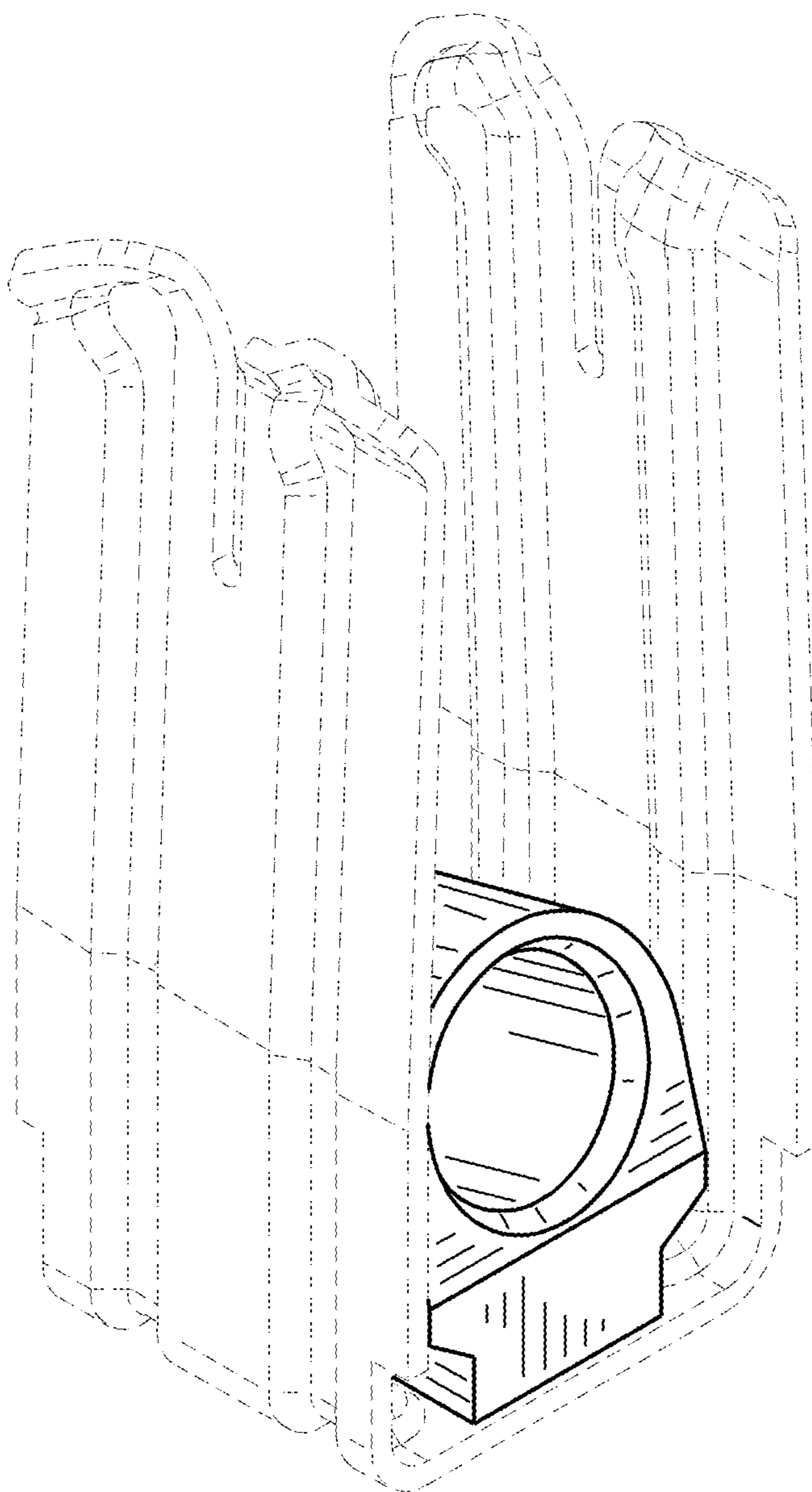


FIG. 1

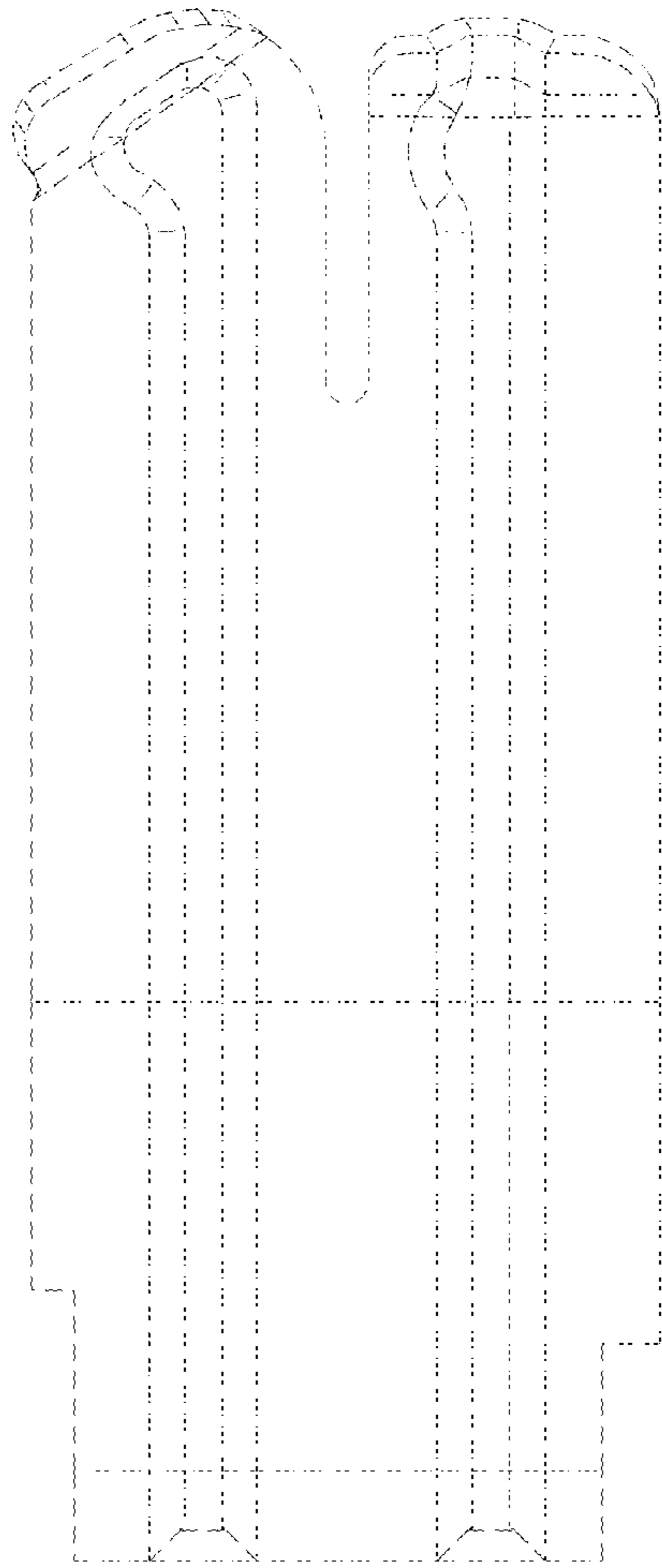


FIG. 2

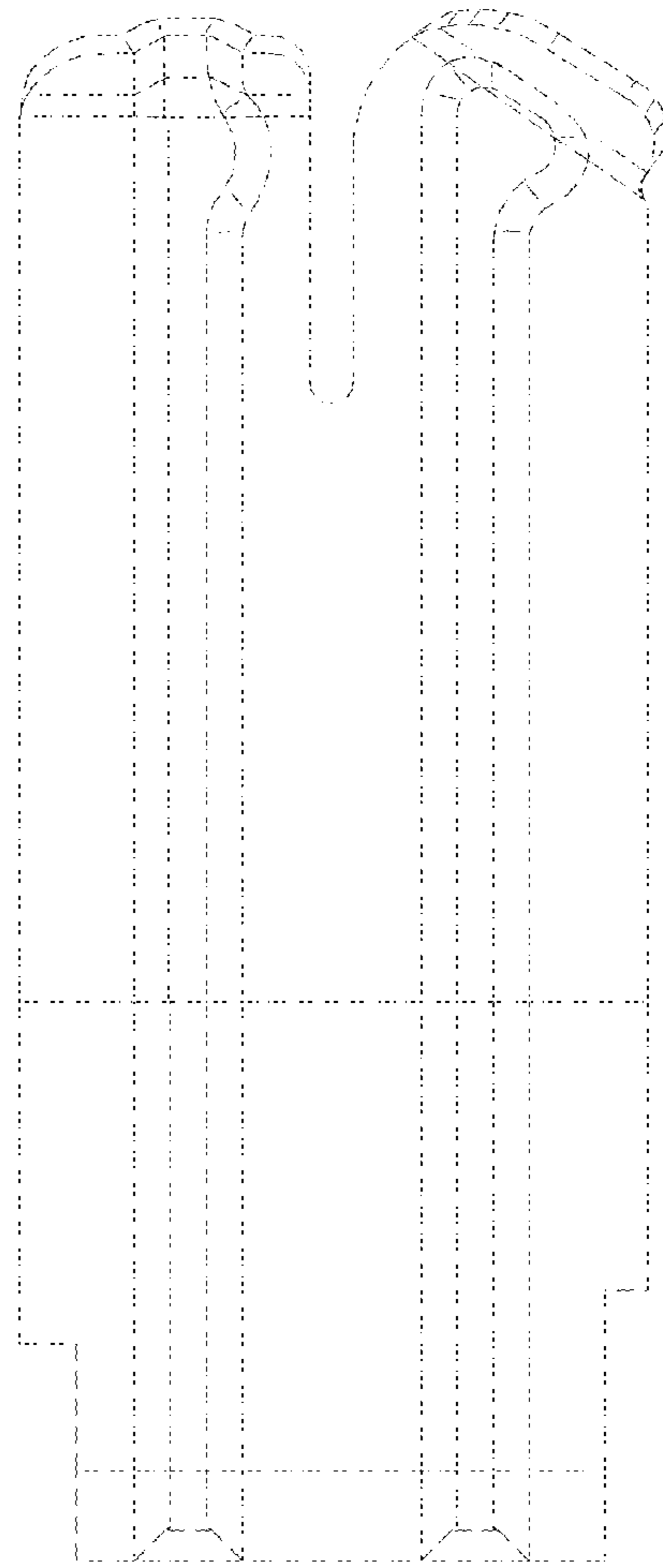


FIG. 3

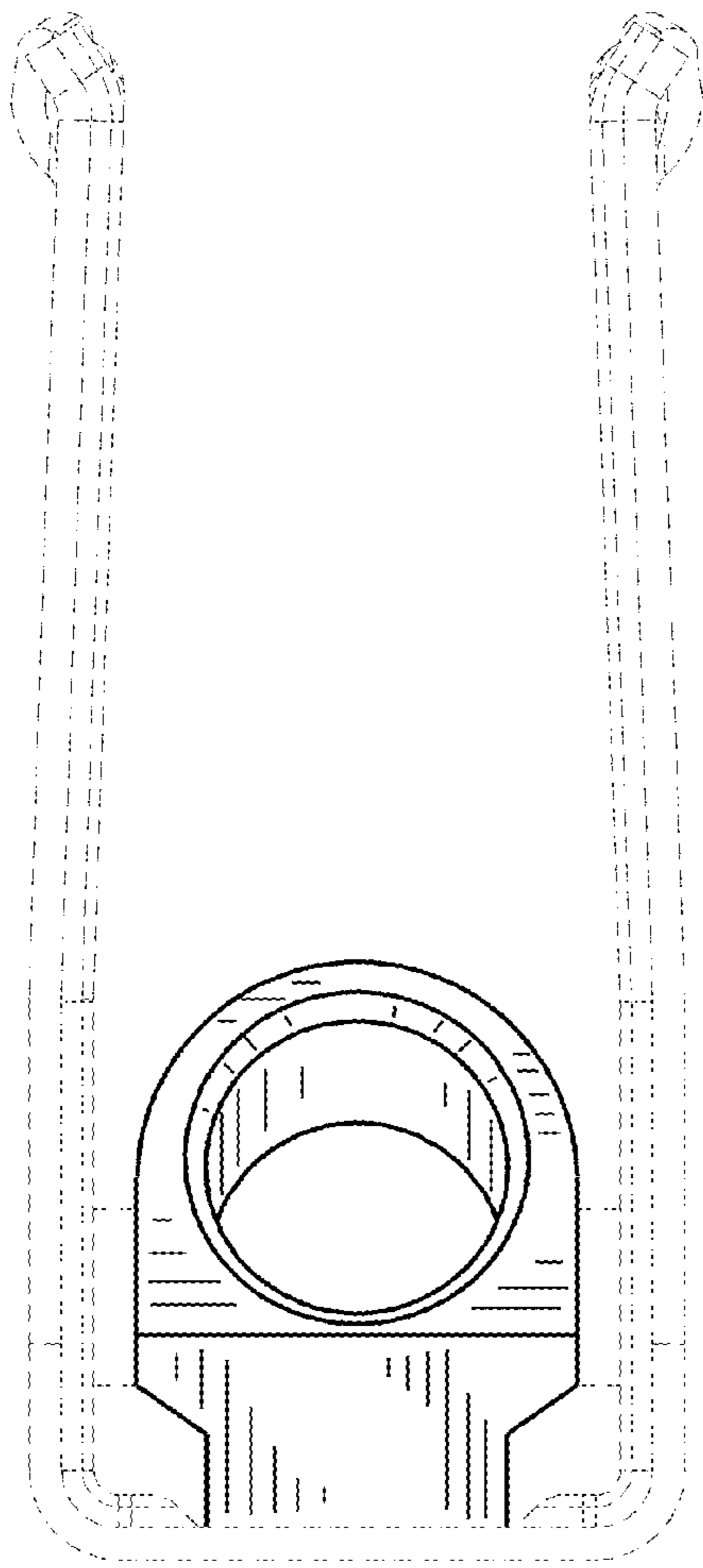


FIG. 4

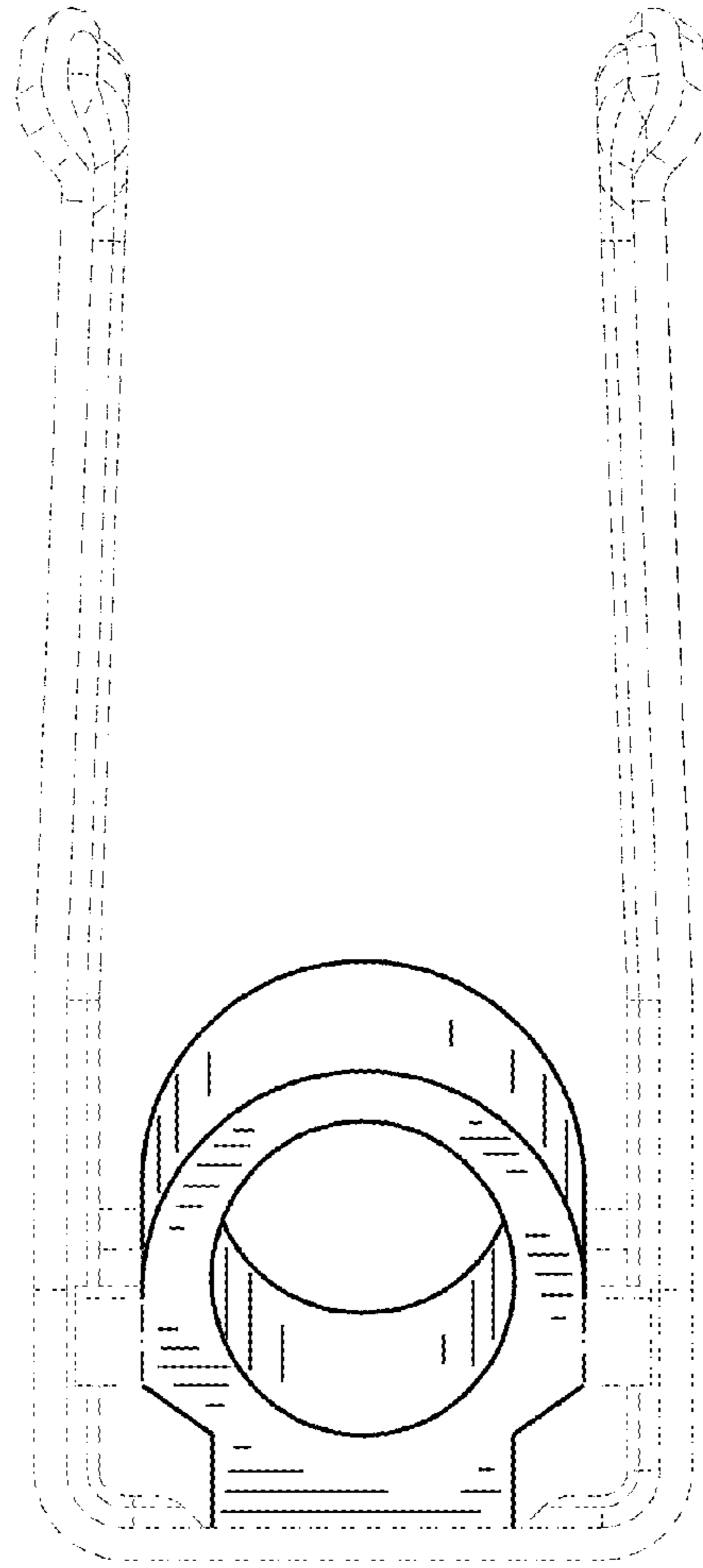


FIG. 5

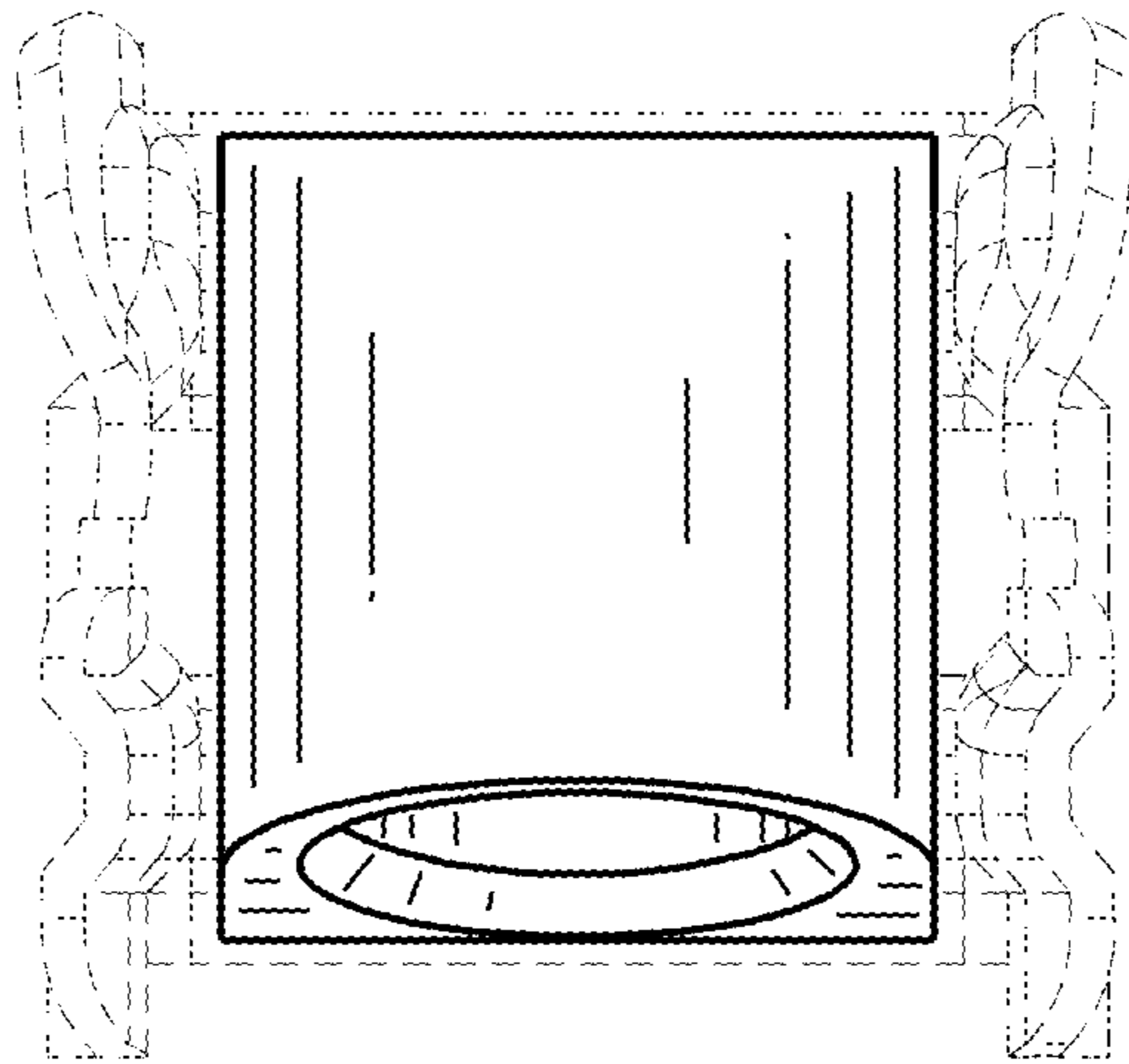


FIG. 6

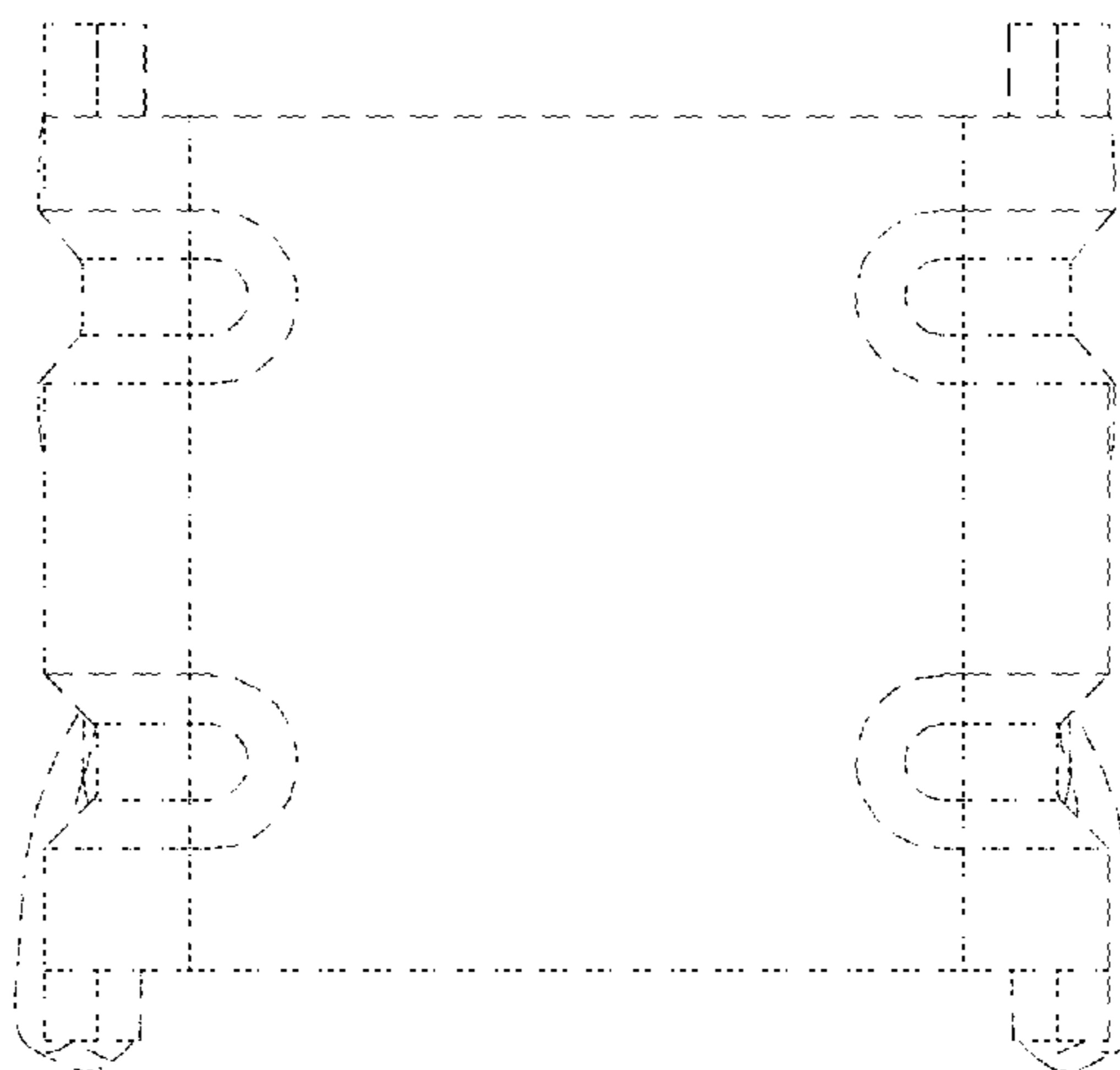


FIG. 7

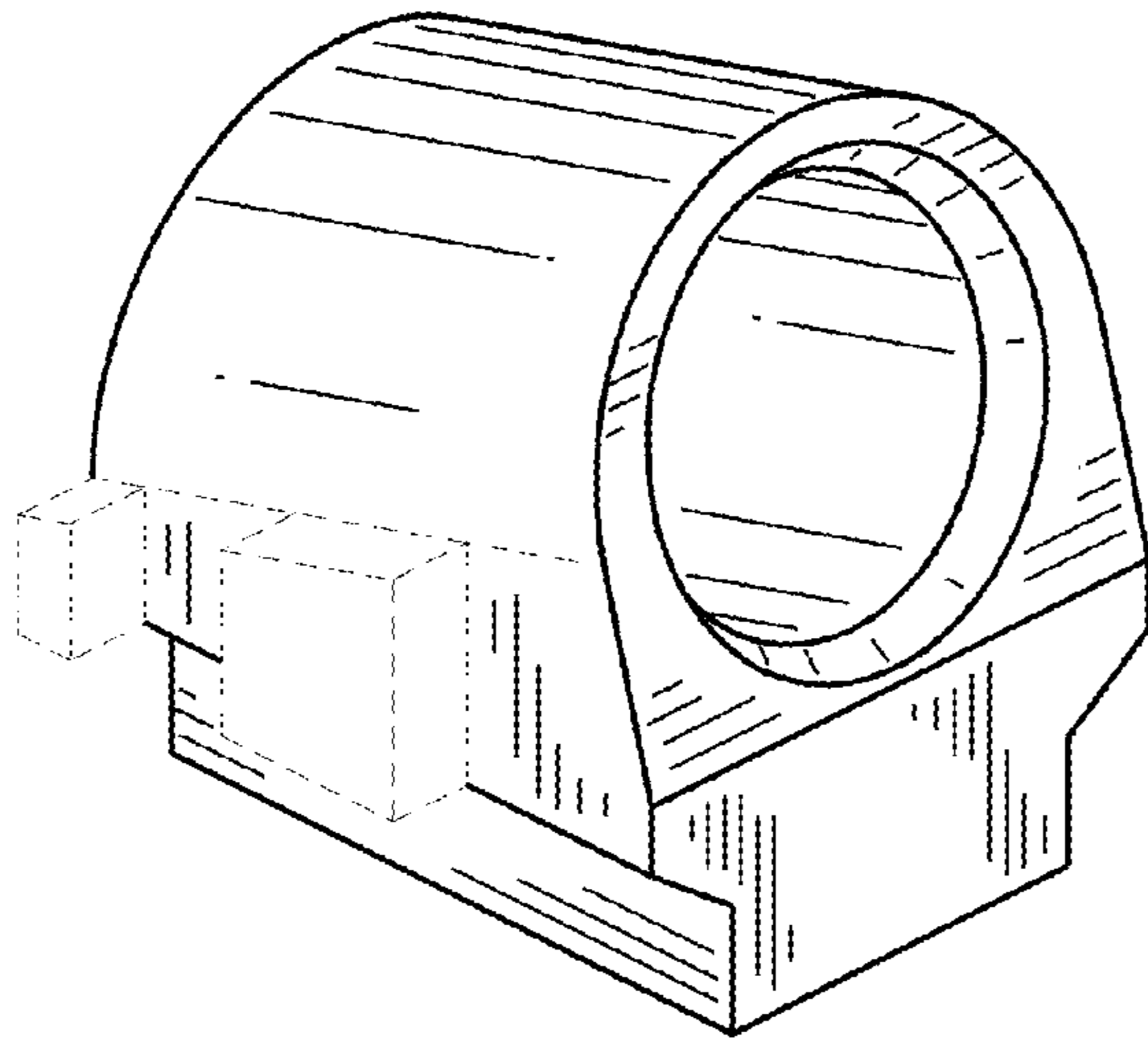


FIG. 8

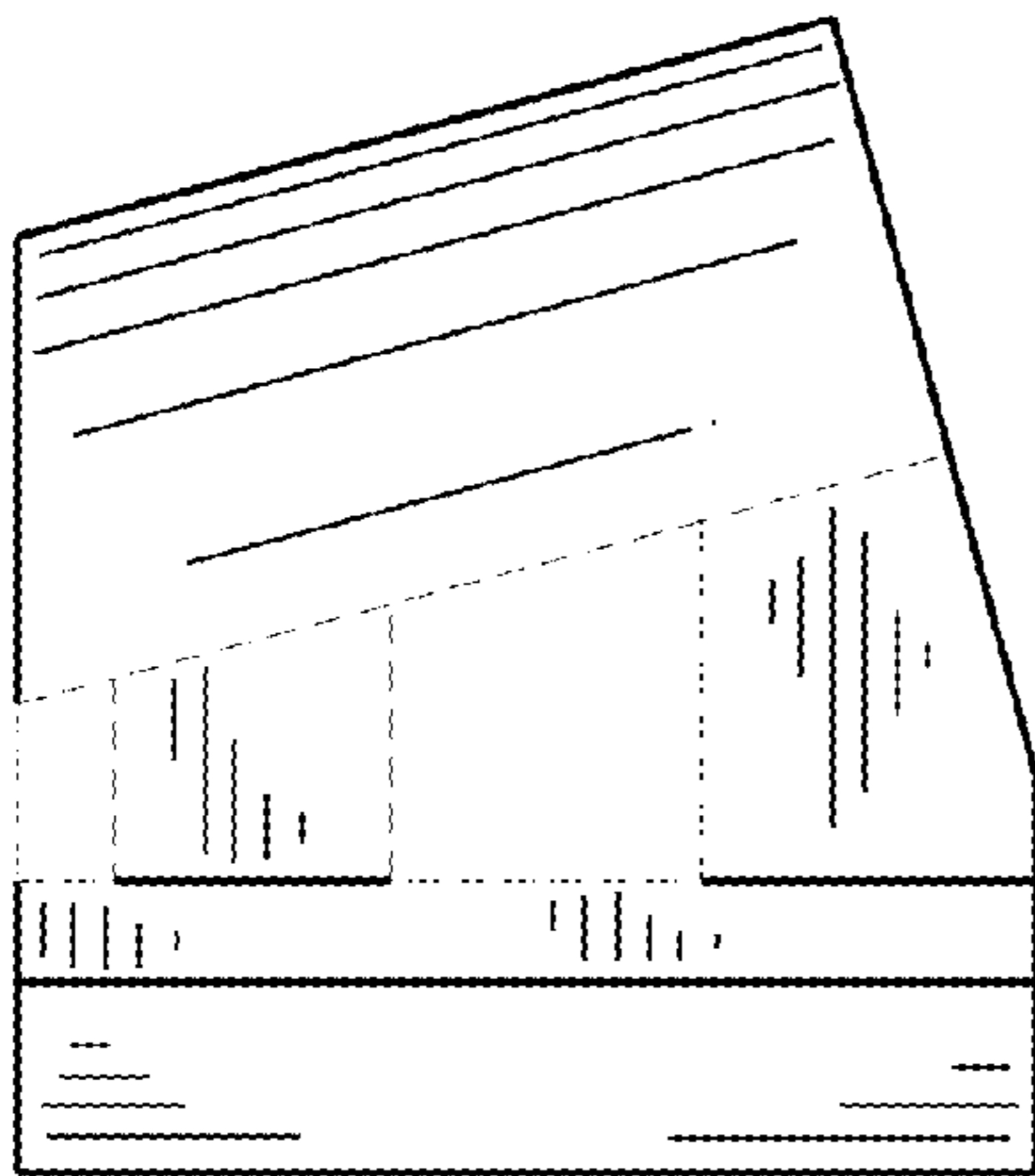


FIG. 9

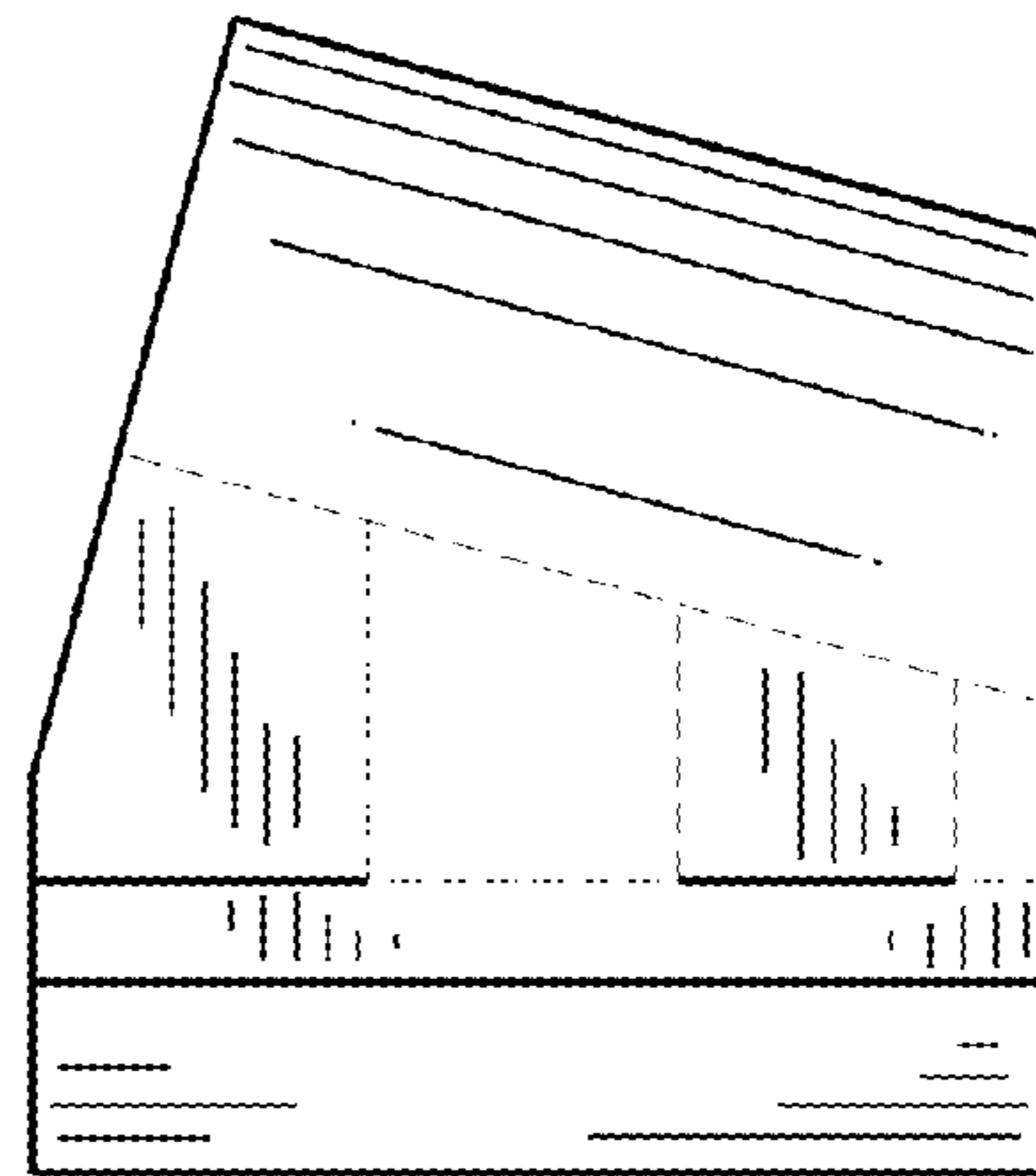


FIG. 10

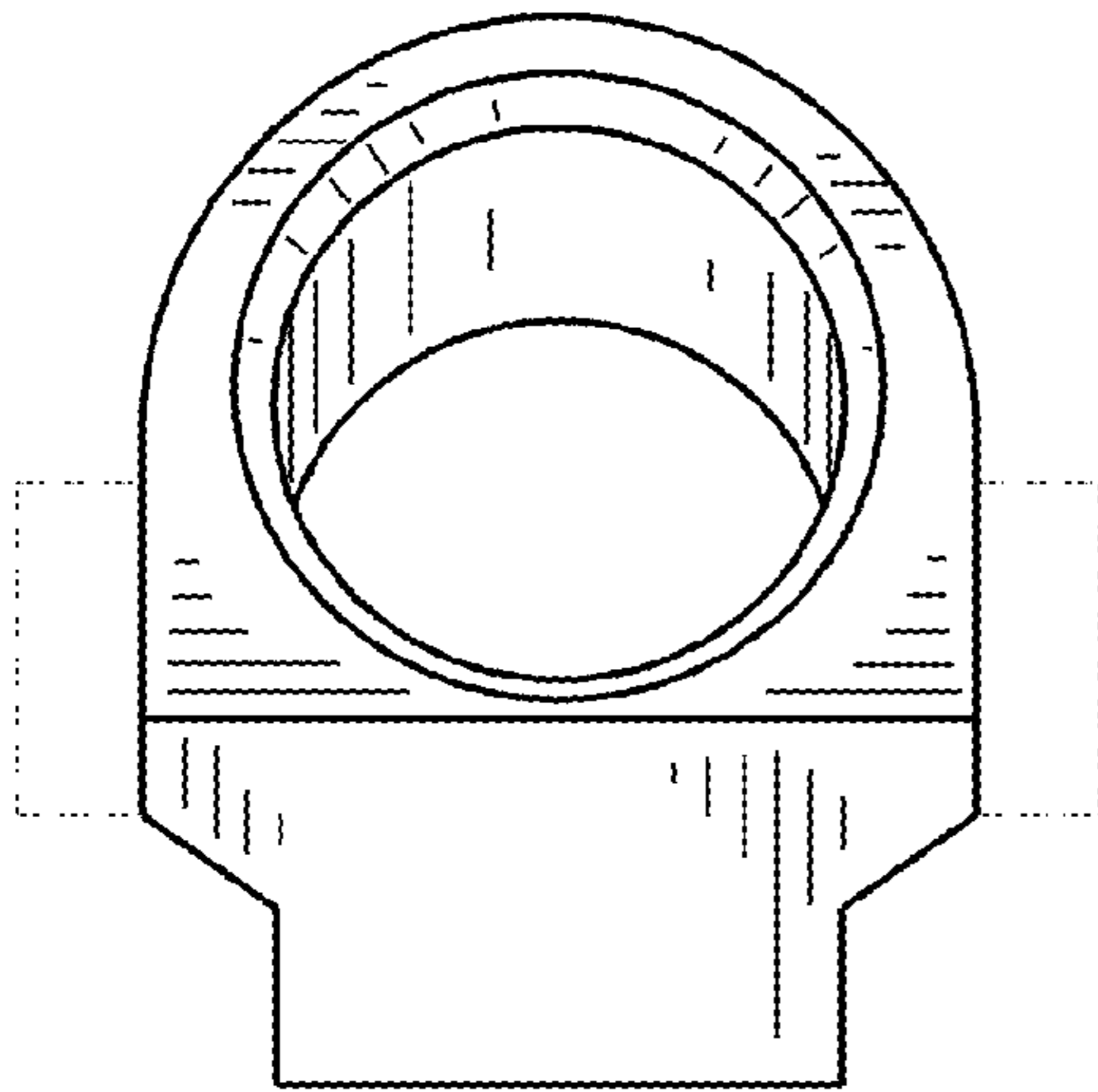


FIG. 11

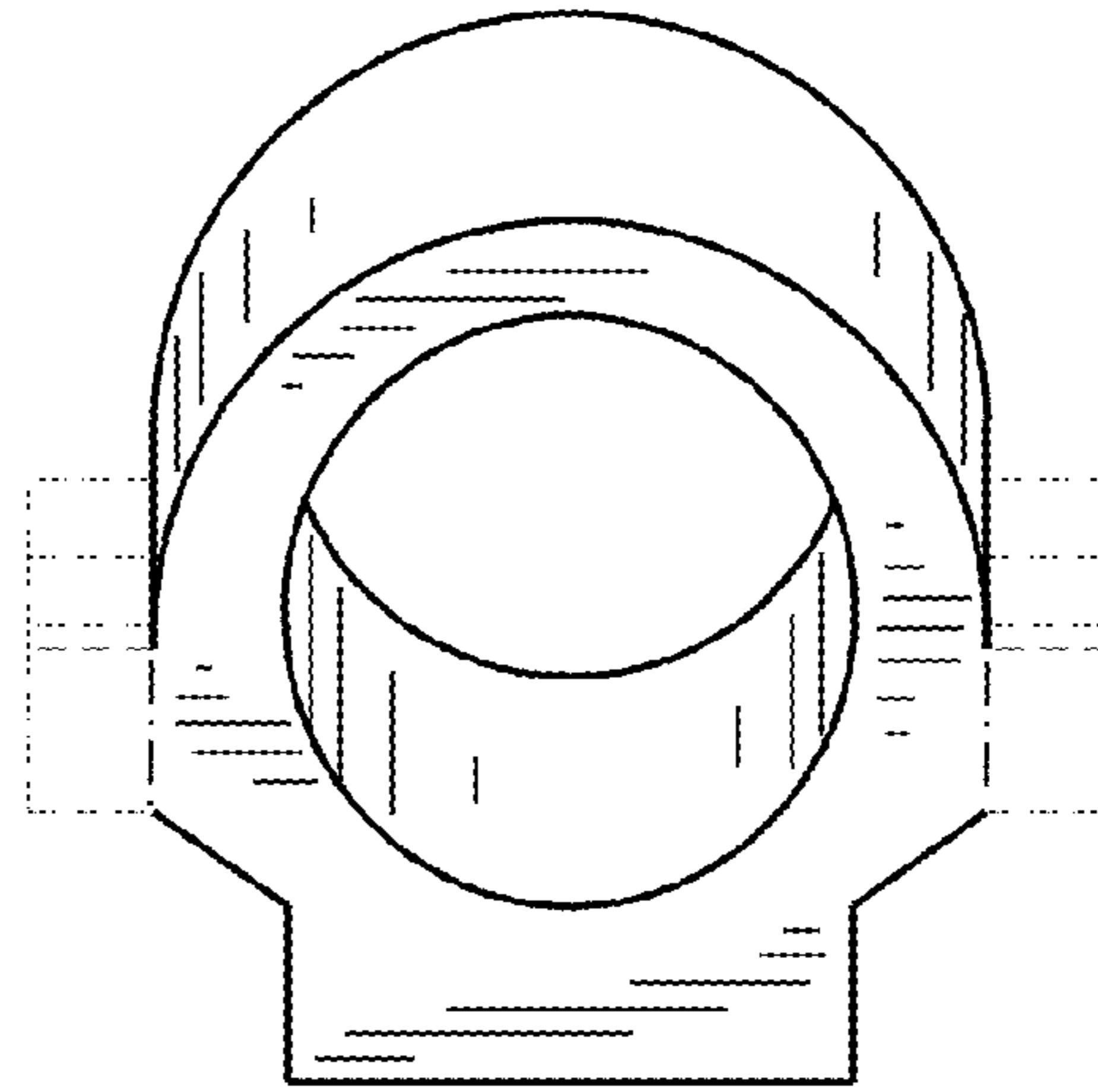


FIG. 12

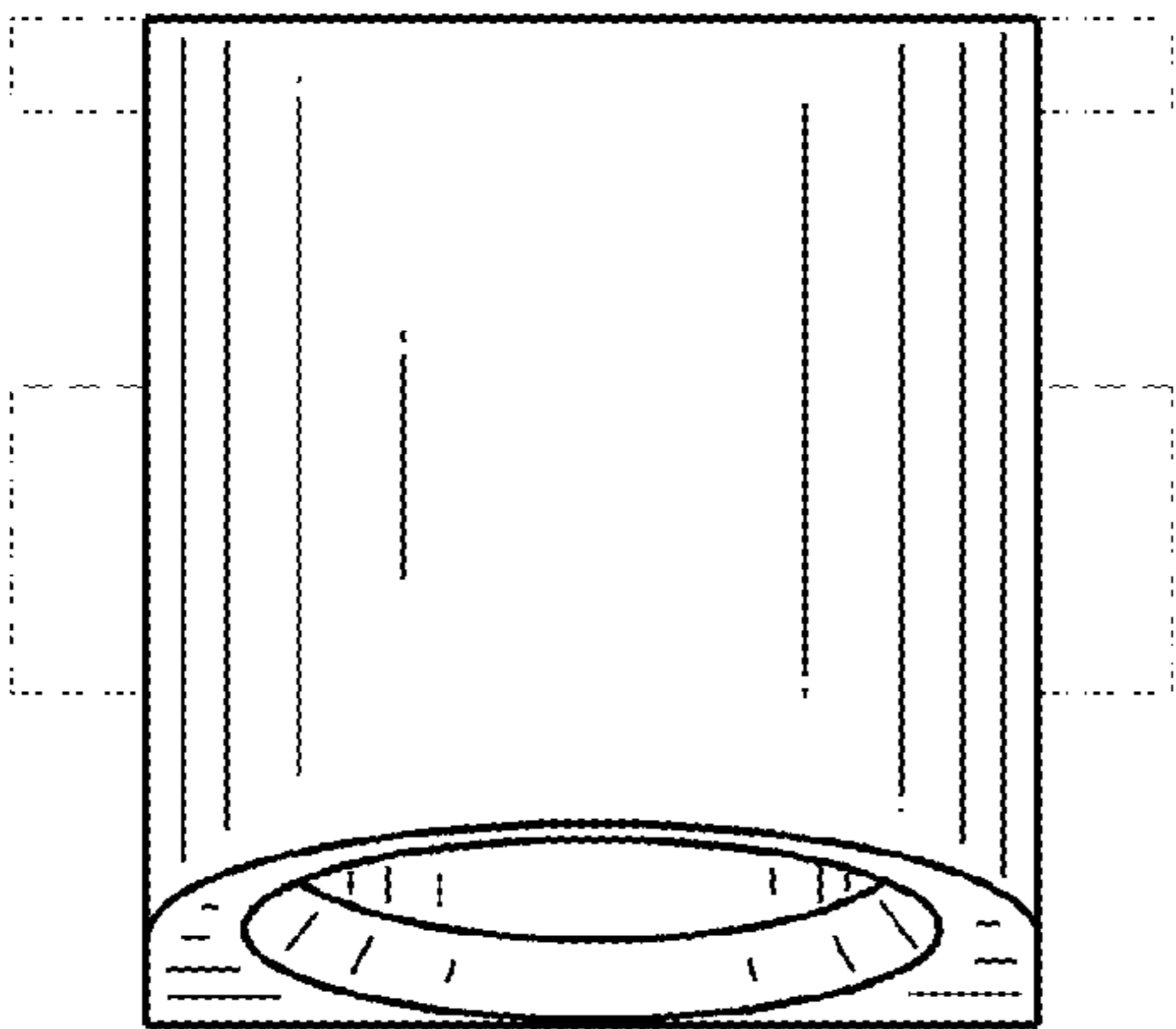


FIG. 13

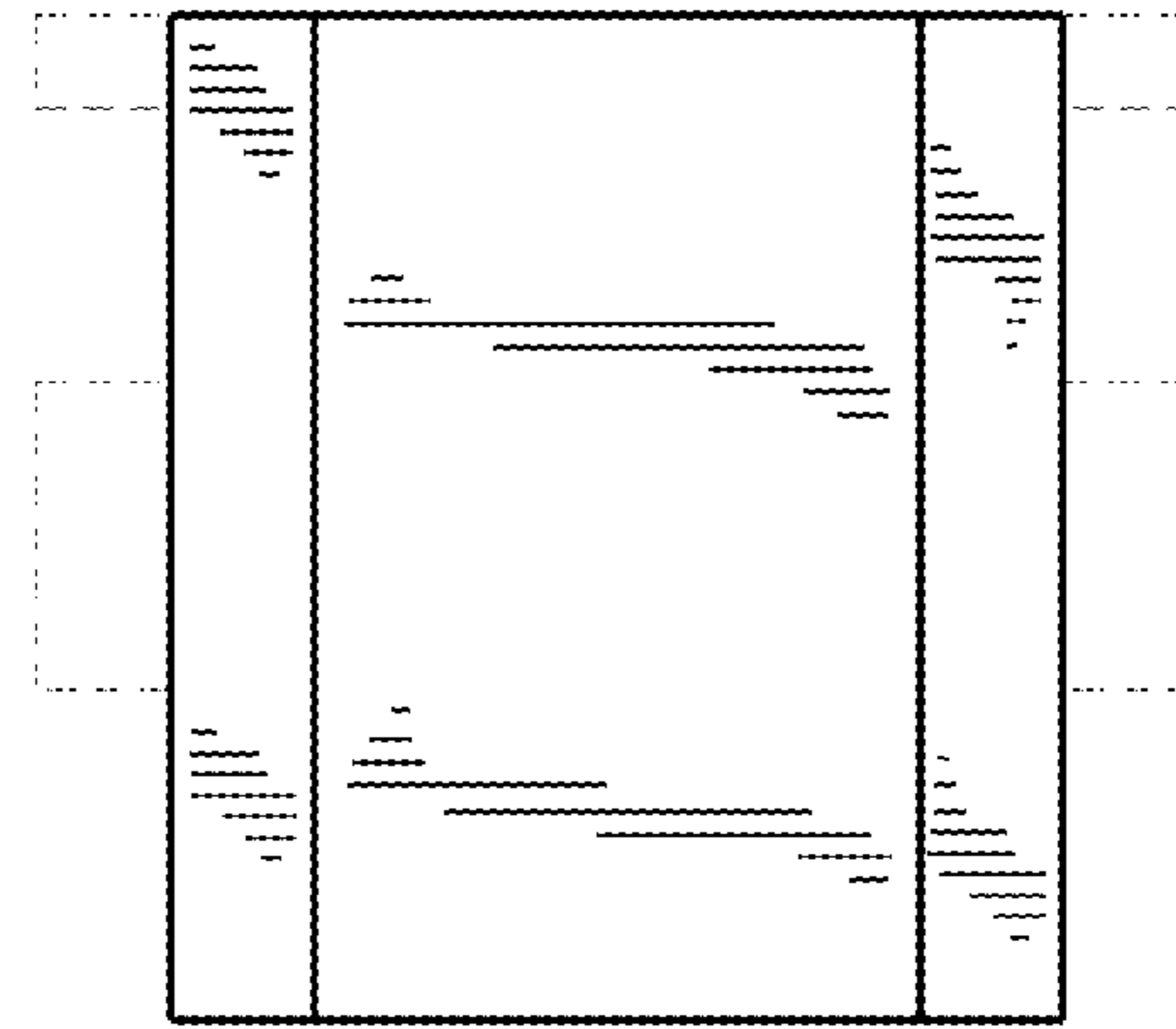


FIG. 14