



US00D721331S

(12) **United States Design Patent**
Andre et al.

(10) **Patent No.:** **US D721,331 S**
(45) **Date of Patent:** **** Jan. 20, 2015**

(54) **ELECTRONIC DEVICE**

(75) Inventors: **Bartley K. Andre**, Menlo Park, CA (US); **Zheng Gao**, San Jose, CA (US); **Paul Joseph Hack**, San Jose, CA (US); **Bradley Joseph Hamel**, Redwood City, CA (US); **William Francis Leggett**, San Jose, CA (US); **Timothy Roger Milberger**, Sunnyvale, CA (US); **Mikael Silvano**, San Francisco, CA (US)

(73) Assignee: **Apple Inc.**, Cupertino, CA (US)

(**) Term: **14 Years**

(21) Appl. No.: **29/424,272**

(22) Filed: **Jun. 10, 2012**

(51) **LOC (10) Cl.** **13-03**

(52) **U.S. Cl.**
USPC **D13/147**

(58) **Field of Classification Search**
CPC H01R 13/648; H01R 9/04; H01R 5/00
USPC D13/147, 154, 184, 194; 439/476.1, 439/502, 505, 607.01, 607.04, 607.05, 439/607.17, 607.25, 607.34, 607.41, 439/607.53, 623, 660, 668, 680, 792, 894
See application file for complete search history.

(56) **References Cited**

U.S. PATENT DOCUMENTS

2,034,273	A	3/1936	Smith
4,600,810	A	7/1986	Feldman et al.
D330,704	S	11/1992	Wagner
5,179,501	A	1/1993	Ocken et al.
D333,293	S	2/1993	Ashida
5,267,882	A	12/1993	Davis
D348,909	S	7/1994	Nakanishi
D349,099	S	7/1994	Robertson, Jr. et al.
D349,526	S	8/1994	Nakanishi
5,364,292	A	11/1994	Bethurum
D354,315	S	1/1995	Nakanishi
D366,242	S	1/1996	Goto

D372,460	S	8/1996	Aramaki
D381,629	S	7/1997	Goto
D409,574	S	5/1999	Shimojo et al.
D415,111	S	10/1999	Lee
D422,559	S	4/2000	Tsai
D422,560	S	4/2000	Lok
D437,290	S	2/2001	Goto
D442,553	S	5/2001	Urban et al.
D447,121	S	8/2001	Yim
D447,467	S	9/2001	Hisada et al.
D449,275	S	10/2001	Goto

(Continued)

OTHER PUBLICATIONS

Apple Inc., MacBook Pro, www.apple.com, available as early as Jan. 14, 2006.

(Continued)

Primary Examiner — Daniel Bui

(74) *Attorney, Agent, or Firm* — Saidman DesignLaw Group, LLC

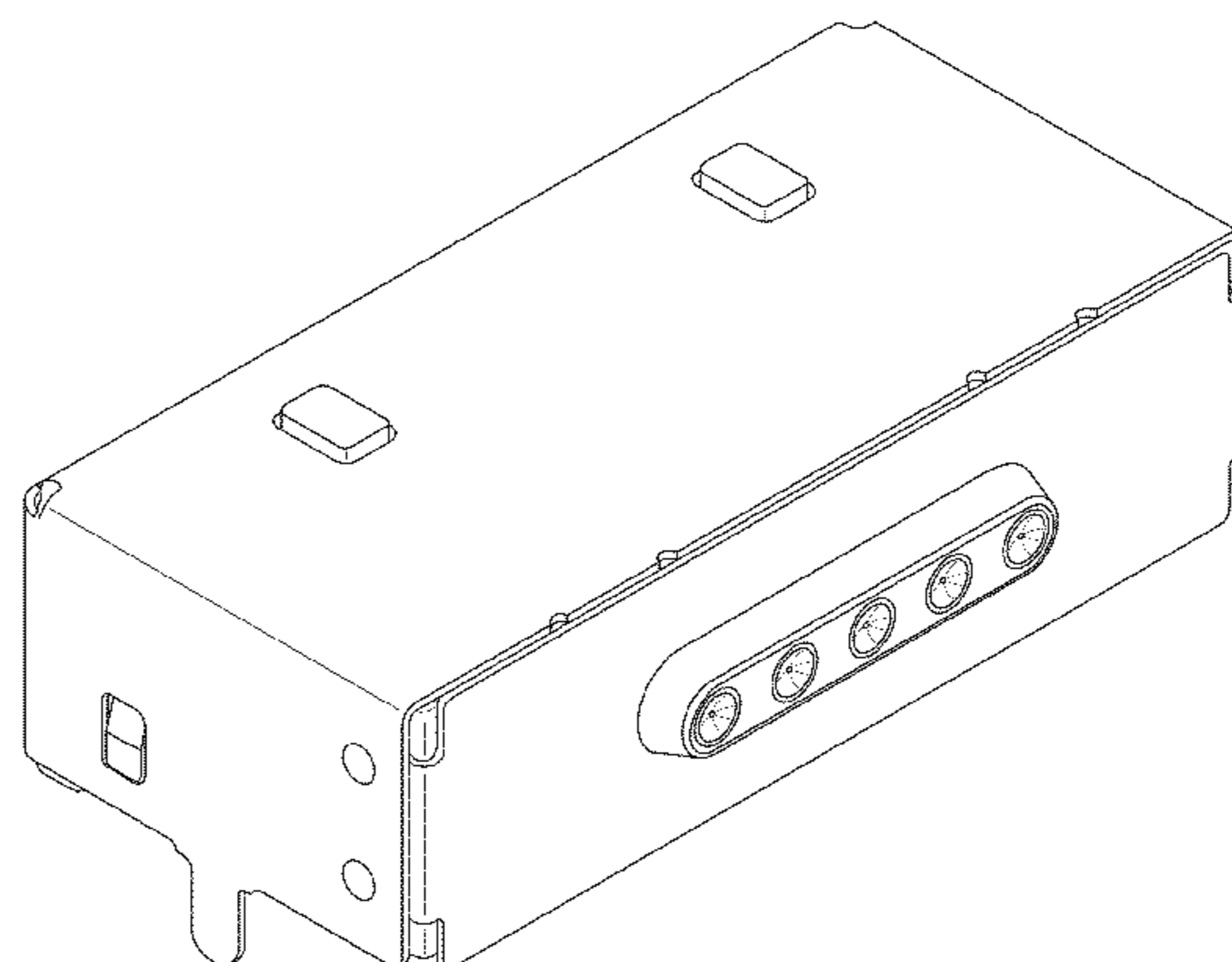
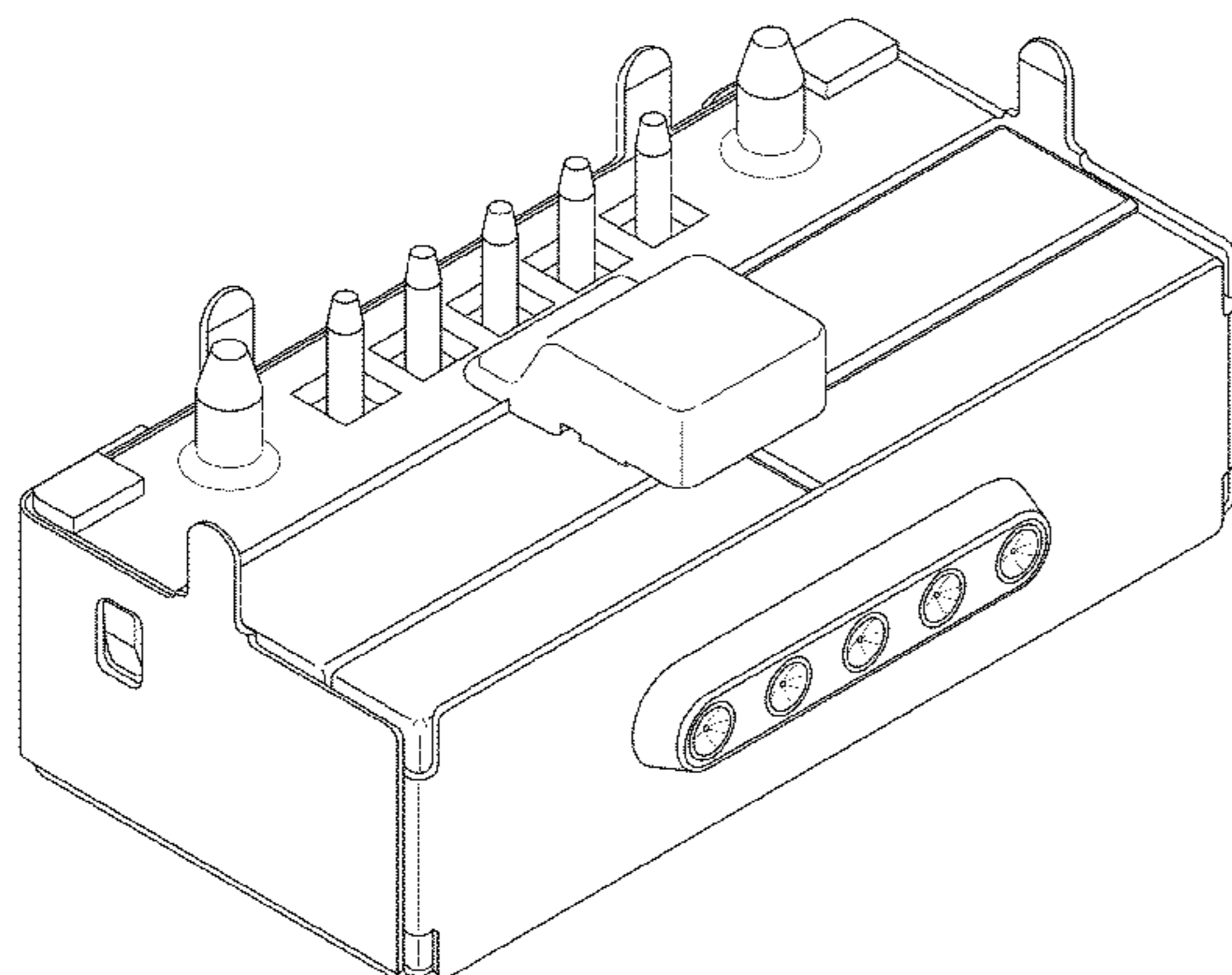
(57) **CLAIM**

The ornamental design for an electronic device, as shown and described.

DESCRIPTION

FIG. 1 is a front, top perspective view of an electronic device showing our new design;
FIG. 2 is a front, bottom perspective view thereof;
FIG. 3 is a rear, top perspective view thereof;
FIG. 4 is a rear, bottom perspective view thereof;
FIG. 5 is a left side view thereof;
FIG. 6 is a right side view thereof;
FIG. 7 is a front view thereof;
FIG. 8 is a rear view thereof;
FIG. 9 is a top view thereof; and,
FIG. 10 is a bottom view thereof.
The drawings include CAD lines that represent contour and not surface decoration.

1 Claim, 4 Drawing Sheets



(56)

References Cited

U.S. PATENT DOCUMENTS

D457,194 S 5/2002 Goto
 D464,997 S 10/2002 Goto
 D471,156 S 3/2003 Sass et al.
 D493,144 S 7/2004 Cheng et al.
 6,921,284 B2 7/2005 Sirichai et al.
 D514,524 S 2/2006 Suckle
 D515,510 S 2/2006 Huang
 D531,127 S 10/2006 Zhong et al.
 7,210,943 B1 5/2007 Chang et al.
 D549,660 S 8/2007 Zenri et al.
 D550,158 S 9/2007 Victor
 D552,546 S 10/2007 Nishio et al.
 D553,087 S 10/2007 Ashida et al.
 D553,092 S 10/2007 Arai et al.
 D563,883 S 3/2008 Dever
 D563,884 S 3/2008 Dever
 D563,885 S 3/2008 Dever
 D563,886 S 3/2008 Dever
 D563,887 S 3/2008 Dever
 D563,888 S 3/2008 Dever
 D563,890 S 3/2008 Dever
 D563,891 S 3/2008 Dever
 D566,656 S 4/2008 Dever
 D569,808 S 5/2008 Dever
 D571,296 S 6/2008 Kuo et al.
 D574,778 S 8/2008 Szeto et al.
 7,429,188 B2 9/2008 Wu
 D579,880 S 11/2008 Birmingham et al.
 D580,861 S 11/2008 Amidon
 D588,545 S 3/2009 Andre et al.
 7,517,222 B2 4/2009 Rohrbach et al.
 7,540,733 B2 6/2009 Rossanese
 7,540,773 B2 6/2009 Ko
 7,632,134 B2 12/2009 Su et al.
 D607,831 S 1/2010 Andre et al.
 D618,178 S 6/2010 Andre et al.

7,727,031 B2 6/2010 Lord
 D619,963 S 7/2010 Hou
 D620,450 S 7/2010 Andre et al.
 7,841,776 B2 11/2010 DiFonzo et al.
 D629,752 S 12/2010 Akana et al.
 D632,261 S 2/2011 Andre et al.
 D639,748 S 6/2011 Akana et al.
 D671,898 S 12/2012 Andre et al.
 D684,538 S 6/2013 Akana et al.
 D685,742 S 7/2013 Akana et al.
 D691,128 S * 10/2013 Akana et al. D14/315
 D691,129 S 10/2013 Akana et al.
 D699,684 S 2/2014 Akana et al.
 D703,616 S * 4/2014 Akana et al. D13/147
 2002/0142665 A1 10/2002 Nishio et al.
 2003/0207611 A1 11/2003 Lin et al.
 2007/0072442 A1 3/2007 DiFonzo et al.
 2007/0072443 A1 3/2007 Rohrbach et al.
 2008/0003841 A1 1/2008 Su et al.
 2010/0080563 A1 4/2010 DiFonzo et al.
 2011/0038582 A1 2/2011 DiFonzo et al.
 2012/0148195 A1 6/2012 Umeno
 2012/0252231 A1 10/2012 Kall
 2013/0329324 A1 * 12/2013 Tziviskos et al. 361/56

OTHER PUBLICATIONS

U.S. Appl. No. 12/891,794 titled "Cable Connector Assembly With Status Indicator Means" filed Sep. 27, 2010.
 U.S. Appl. No. 29/375,909 titled "Connector" filed Sep. 29, 2010, as amended Apr. 26, 2013.
 U.S. Appl. No. 29/424,257 titled "Connector" filed Jun. 8, 2012.
 U.S. Appl. No. 29/424,258 titled "Adapter" filed Jun. 8, 2012, as amended Jun. 10, 2012.
 Office action dated Nov. 7, 2012 in U.S. Appl. No. 29/424,257, titled "Connector."
 U.S. Appl. No. 29/454,924 titled "Adapter" filed May 15, 2013.
 U.S. Appl. No. 29/482,550 titled "Adapter" filed Feb. 19, 2014.

* cited by examiner

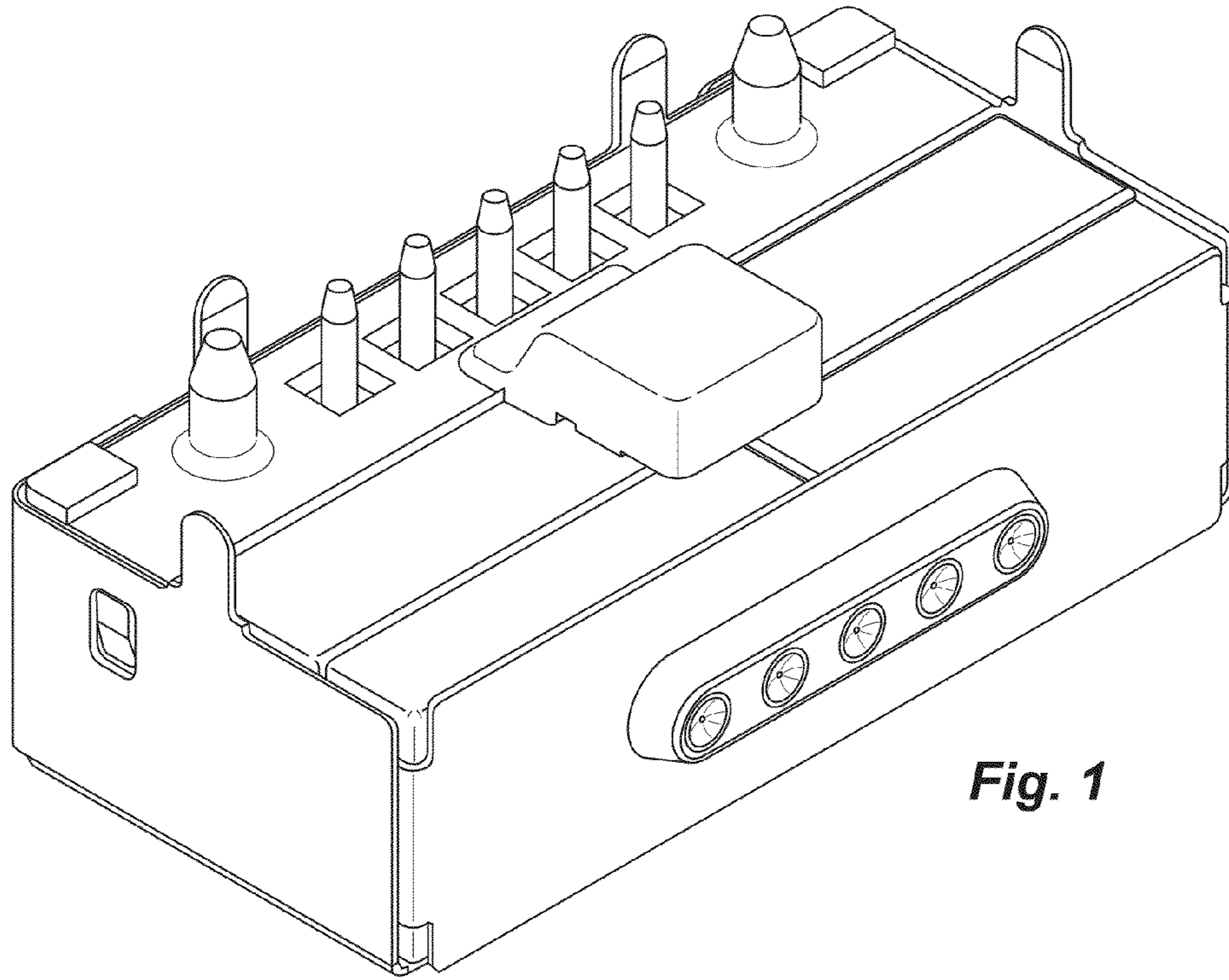


Fig. 1

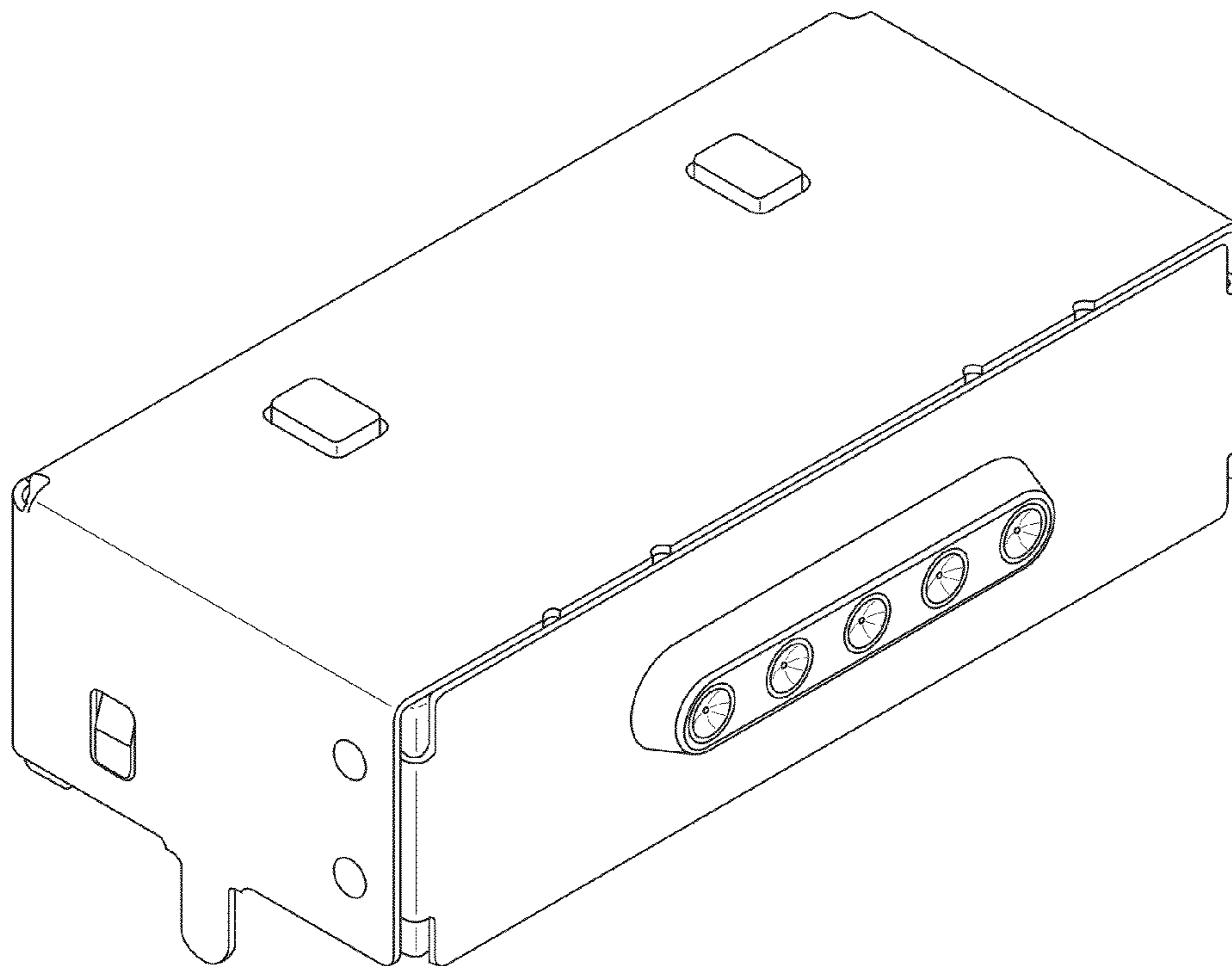


Fig. 2

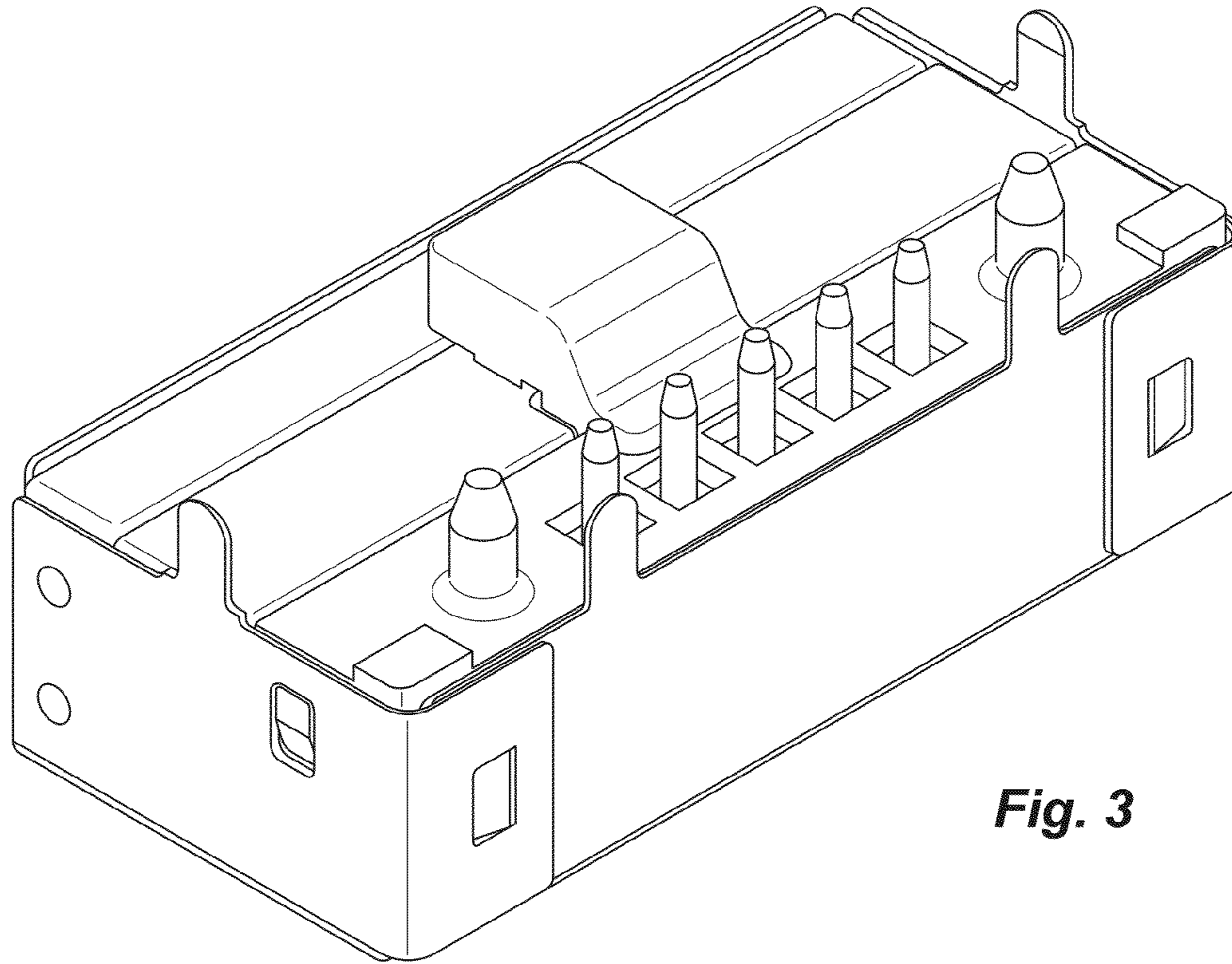


Fig. 3

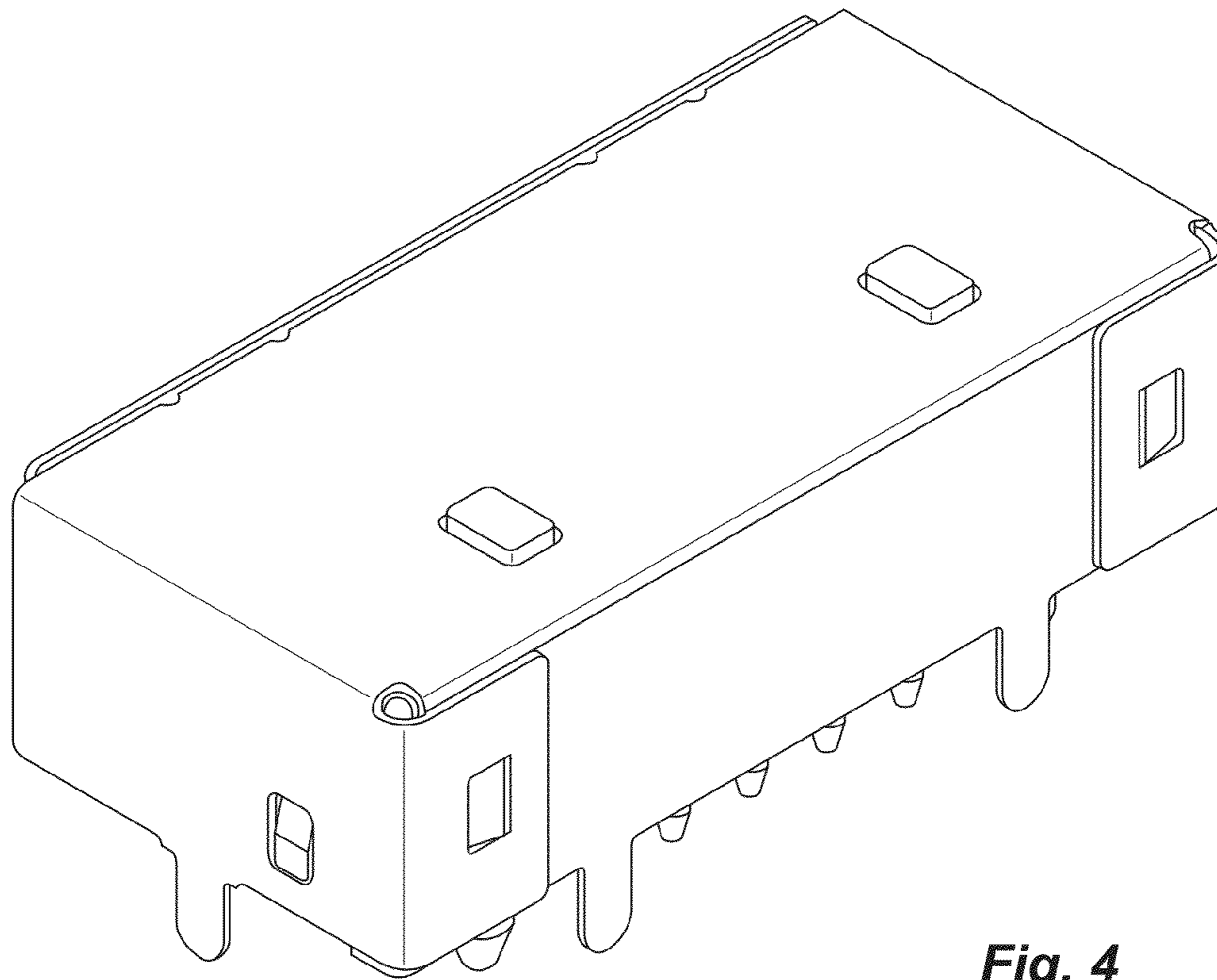


Fig. 4

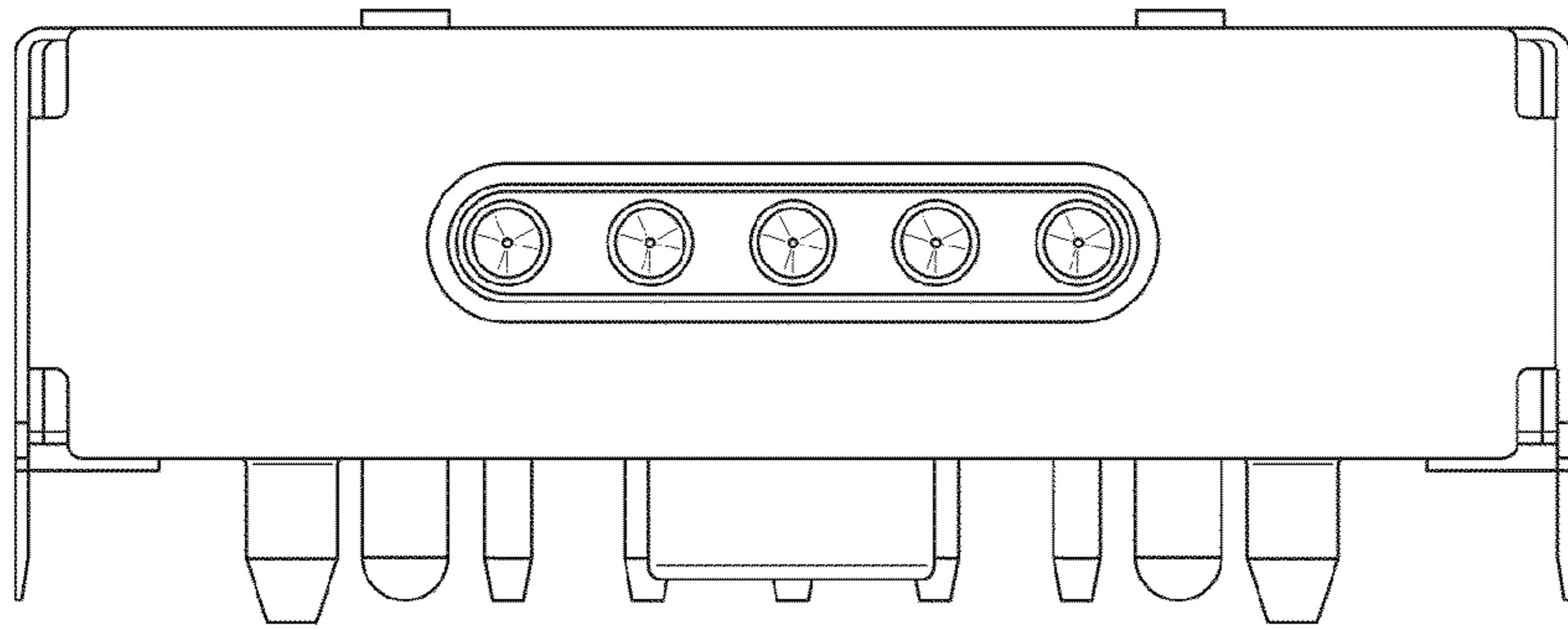


Fig. 5

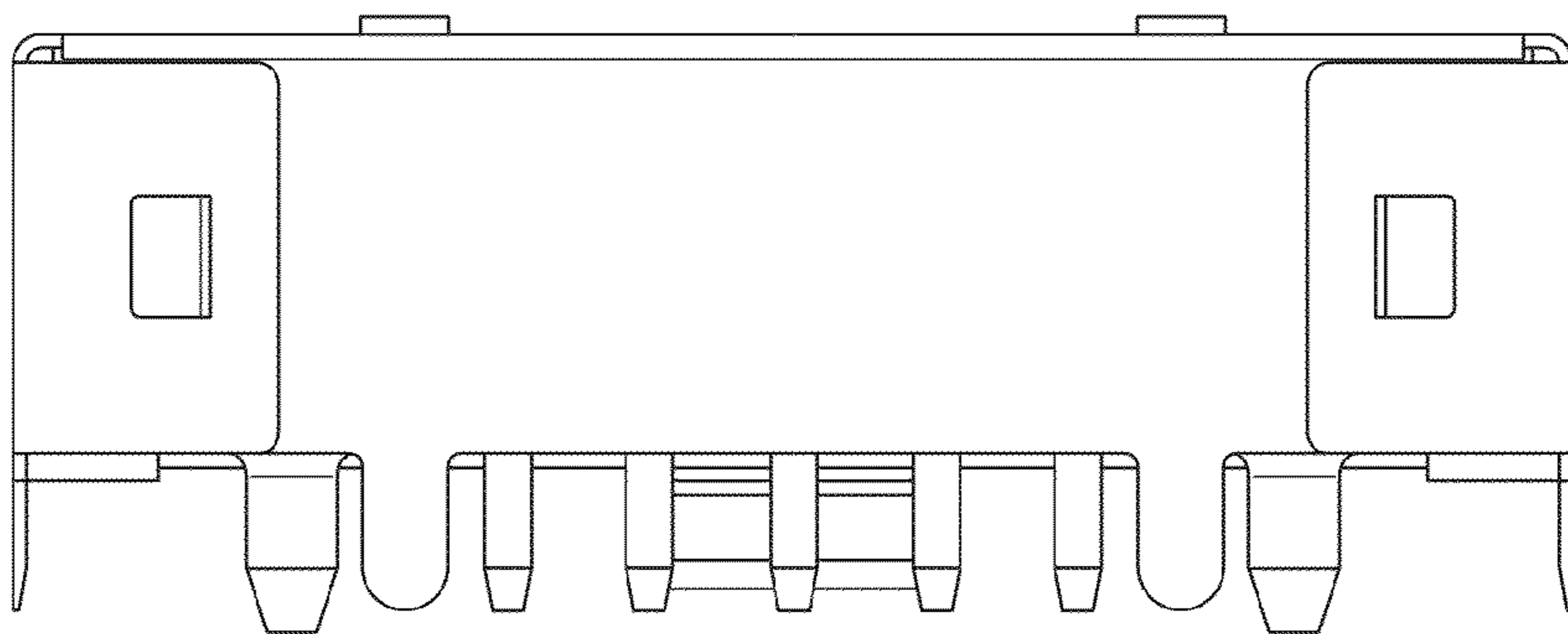


Fig. 6

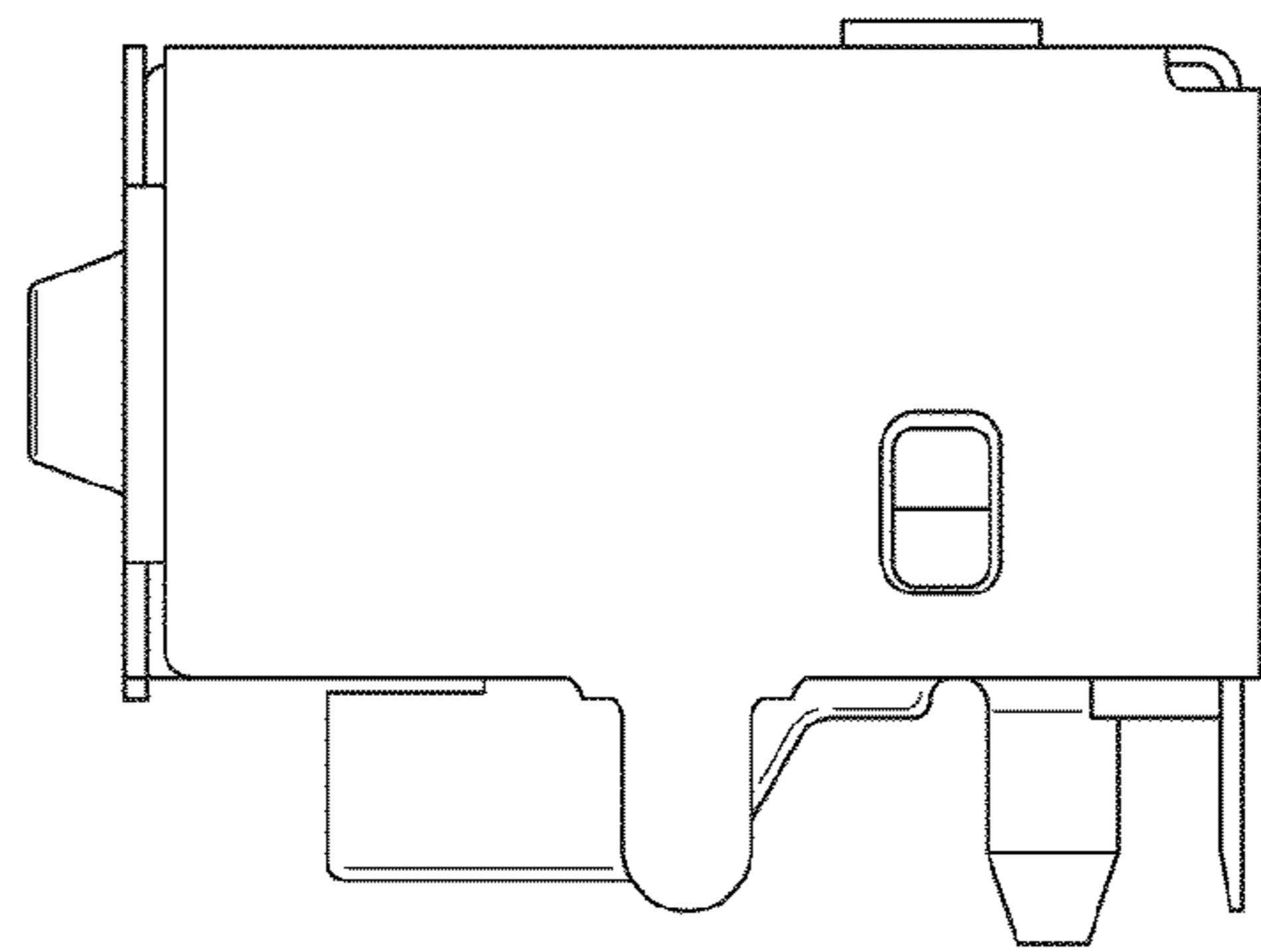


Fig. 7

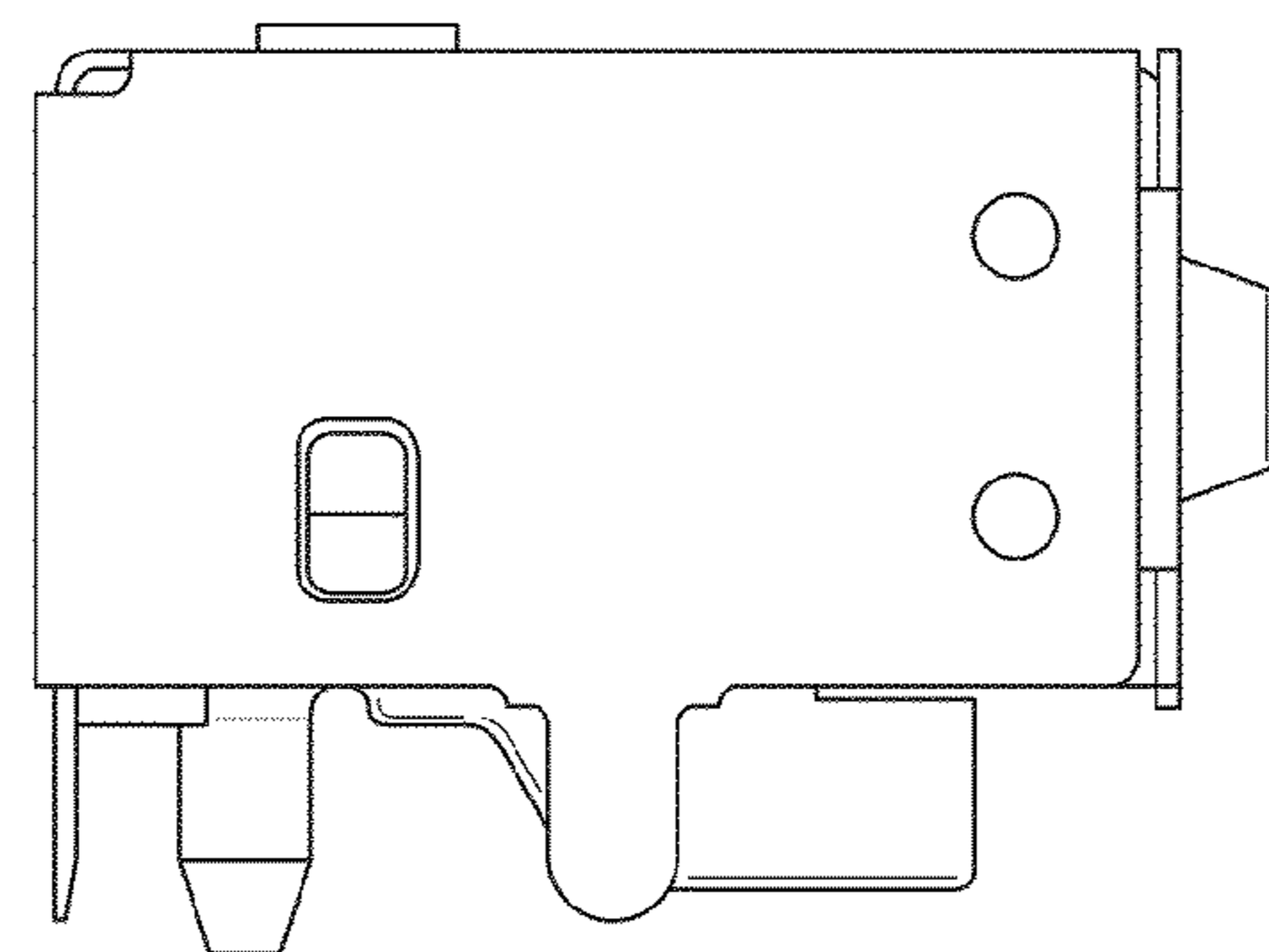


Fig. 8

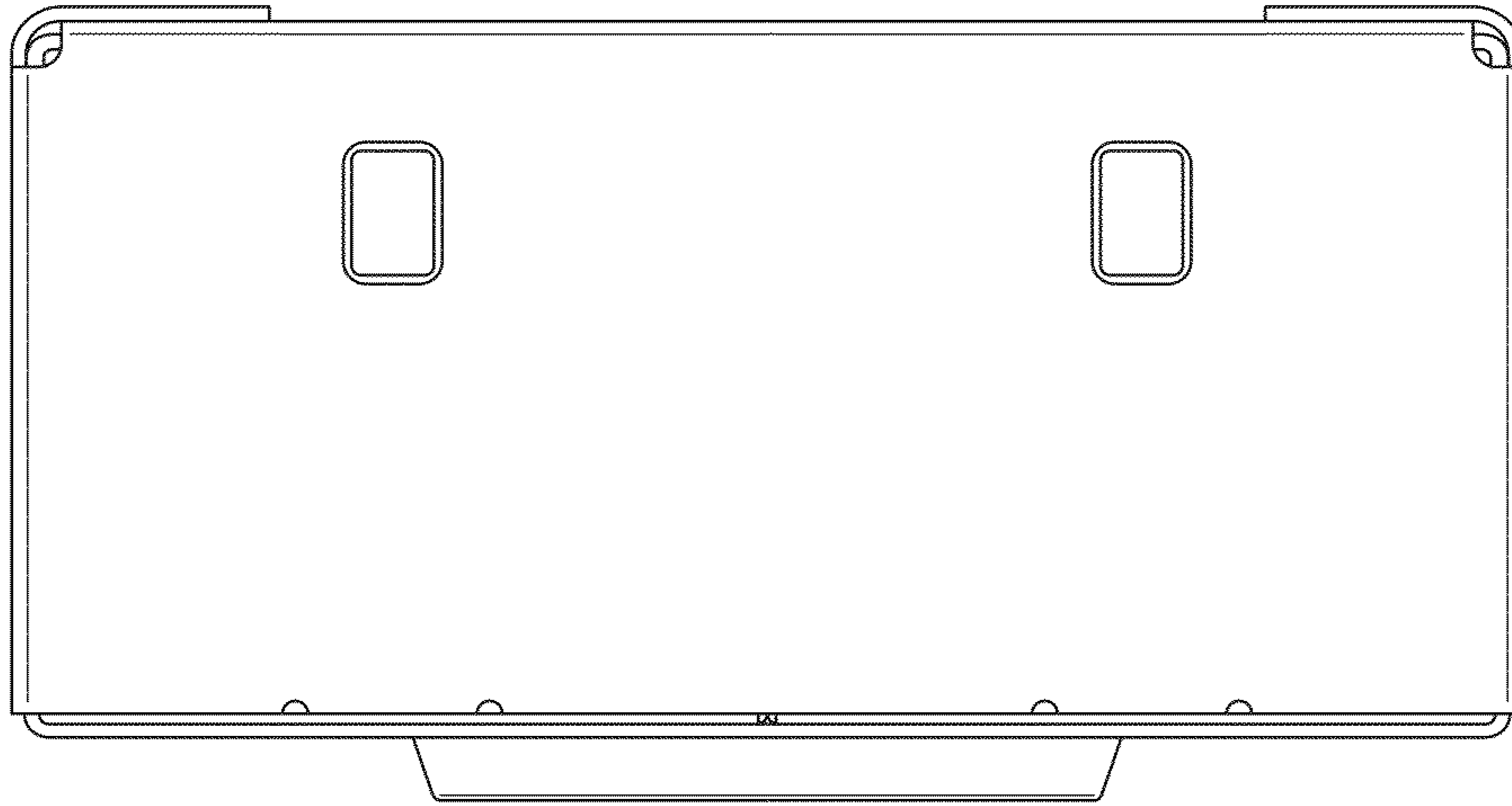


Fig. 9

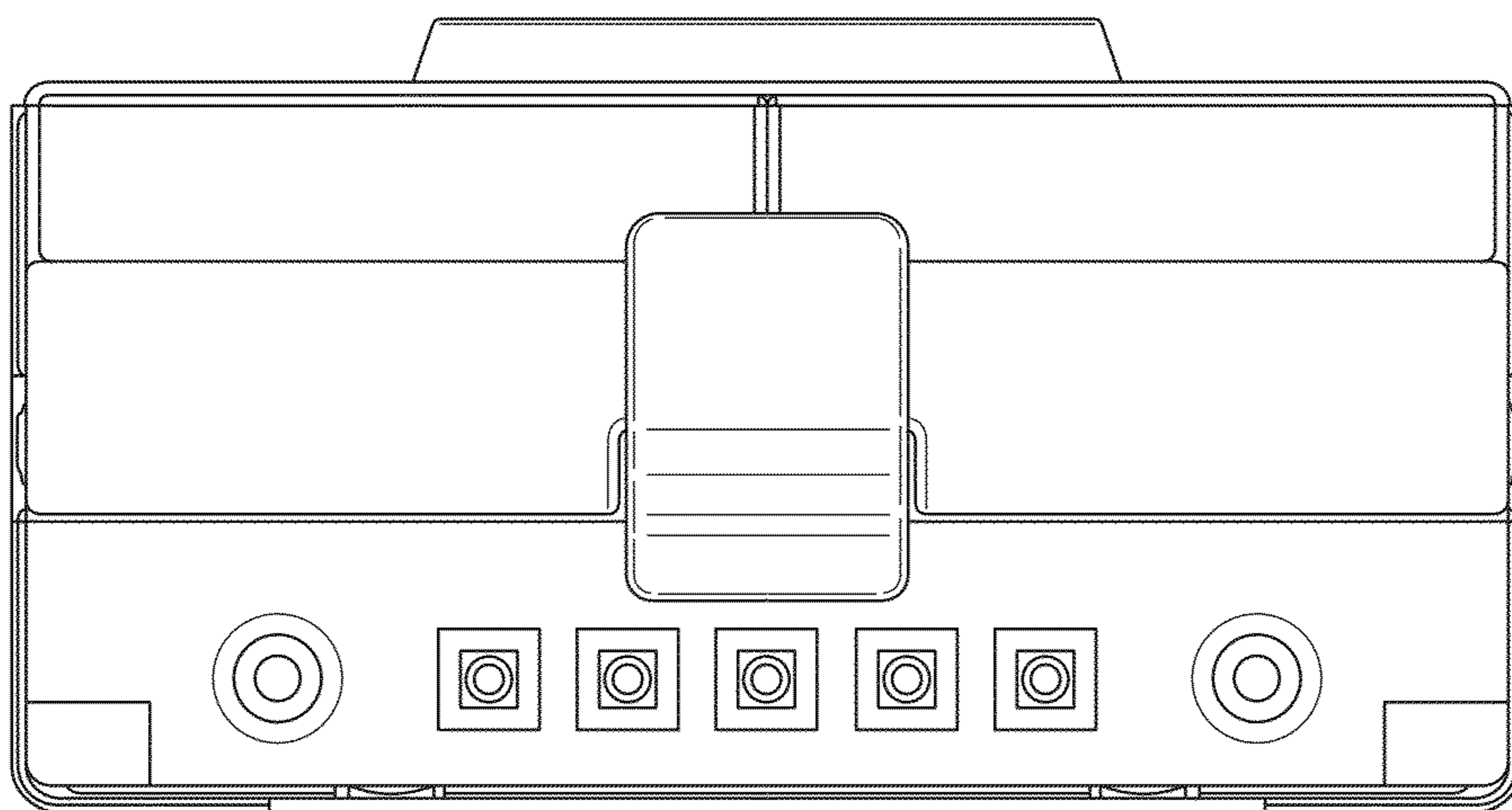


Fig. 10