



US00D721330S

(12) **United States Design Patent**
Byrne et al.

(10) **Patent No.:** **US D721,330 S**
(45) **Date of Patent:** **** Jan. 20, 2015**

(54) **LOW VOLTAGE ELECTRICAL RECEPTACLE**

(71) Applicants: **Norman R. Byrne**, Ada, MI (US);
Daniel P. Byrne, Lowell, MI (US)

(72) Inventors: **Norman R. Byrne**, Ada, MI (US);
Daniel P. Byrne, Lowell, MI (US)

(**) Term: **14 Years**

(21) Appl. No.: **29/490,844**

(22) Filed: **May 14, 2014**

(51) **LOC (10) Cl.** **13-03**

(52) **U.S. Cl.**
USPC **D13/146; D13/147**

(58) **Field of Classification Search**
USPC **D13/147, 154, 184, 199**
See application file for complete search history.

(56) **References Cited**

U.S. PATENT DOCUMENTS

2,249,827	A	7/1941	Herman	
3,611,257	A	10/1971	Carkhuff	
3,850,496	A	11/1974	Hague	
4,372,629	A	2/1983	Propst	
4,747,788	A	5/1988	Byrne	
4,984,982	A	1/1991	Brownlie	
5,234,355	A	8/1993	Sosinski et al.	
D342,937	S *	1/1994	Angel et al.	D13/146
D350,727	S *	9/1994	Landry et al.	D13/146
5,575,668	A	11/1996	Timmerman	
5,647,751	A	7/1997	Shulman et al.	
5,709,156	A	1/1998	Gavaert	
D399,826	S *	10/1998	Byrne	D13/146
D418,815	S *	1/2000	Byrne	D13/146
D430,539	S	9/2000	Leopold et al.	
6,290,512	B1	9/2001	Mullen, Jr.	
6,488,540	B2	12/2002	Coyle et al.	
D479,825	S *	9/2003	Hung	D13/146
6,981,896	B2	1/2006	Su	
7,244,128	B2	7/2007	Byrne	
7,258,564	B1	8/2007	Su	

D558,676	S	1/2008	Fort et al.	
D568,816	S	5/2008	Micheals	
D573,950	S	7/2008	Schwartz	
7,559,795	B2	7/2009	Byrne	
D601,503	S *	10/2009	Gribble et al.	D13/146
7,833,037	B2	11/2010	Reusche et al.	
D674,754	S	1/2013	Zanoni et al.	
8,480,415	B2	7/2013	Byrne	
8,512,065	B2	8/2013	Byrne et al.	
D701,836	S	4/2014	Byrne	
2010/0068908	A1	3/2010	Byrne	

(Continued)

OTHER PUBLICATIONS

Heyco datasheet entitled "Preassembled Cordset Components: Tri-Tap Premold-NEMA 5-15R," available at http://www.heyco.com/Power_Components/pdf/8-28.pdf.

(Continued)

Primary Examiner — Daniel Bui

(74) *Attorney, Agent, or Firm* — Gardner, Linn, Burkhardt & Flory, LLP

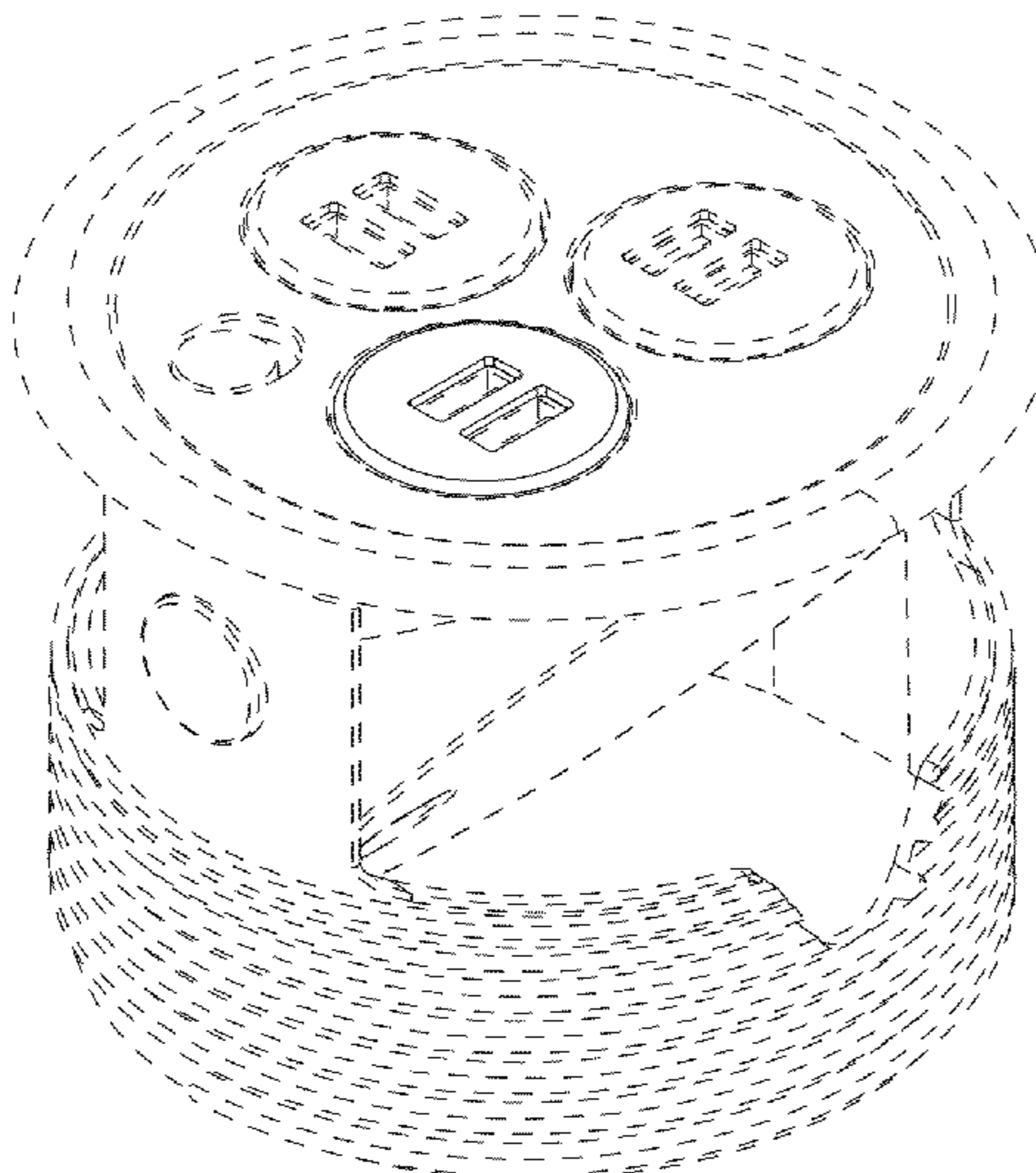
(57) **CLAIM**

The ornamental design for a low voltage electrical receptacle, as shown and described.

DESCRIPTION

FIG. 1 is a perspective view of a low voltage electrical receptacle showing our new design;
FIG. 2 is a top plan view thereof;
FIG. 3 is a bottom plan view thereof;
FIG. 4 is a front elevation thereof;
FIG. 5 is a rear elevation thereof;
FIG. 6 is a right side elevation thereof;
FIG. 7 is a left side elevation thereof; and,
FIG. 8 is a perspective view thereof, in a use condition.
In the drawings, the broken lines depict environmental subject matter only and form no part of the claimed design.

1 Claim, 3 Drawing Sheets



(56)

References Cited

U.S. PATENT DOCUMENTS

2011/0244700 A1 10/2011 Byrne
2012/0184148 A1 7/2012 Byrne

OTHER PUBLICATIONS

<http://www.grainger.com/Grainer/Plug-Adaptor-11K293?Pid=search>, identified May 2, 2013.

http://www.zingearpc.en.ec21.com/Zing_Ear_Snap_In_Receptacle--5769349_5769674.html, identified May 2, 2013.
Co-pending Design U.S. Appl. No. 29/488,043, filed Apr. 15, 2014, entitled Power Center for a Work Surface.
Co-pending Design U.S. Appl. No. 29/490,843, filed May 14, 2014, entitled Low Voltage Electrical Receptacle.
Co-pending Design U.S. Appl. No. 29/490,845, filed May 14, 2014, entitled Electrical Receptacle.
Co-pending Design U.S. Appl. No. 29/490,846, filed May 14, 2014, entitled Electrical Receptacle.

* cited by examiner

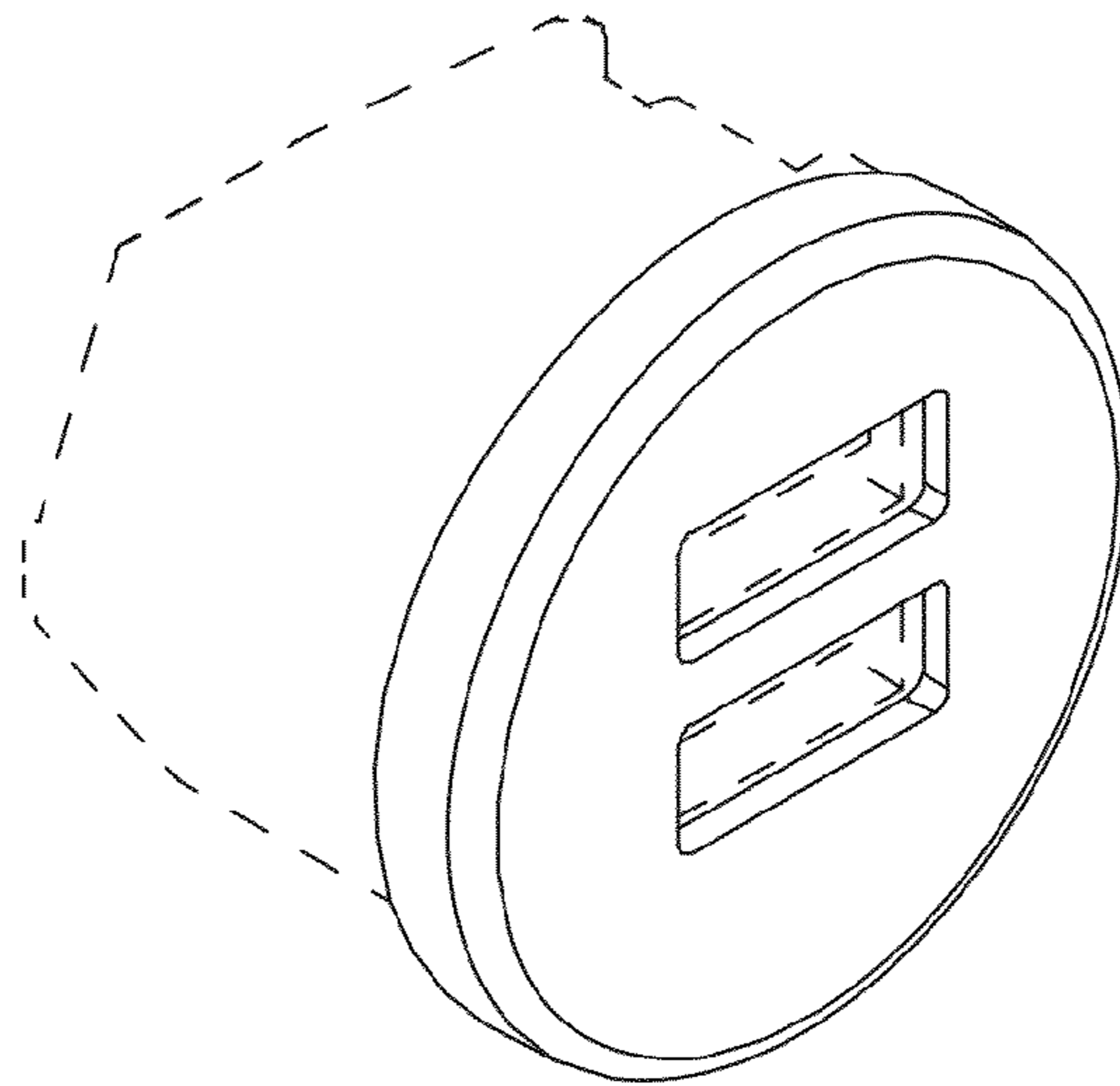


FIG. 1

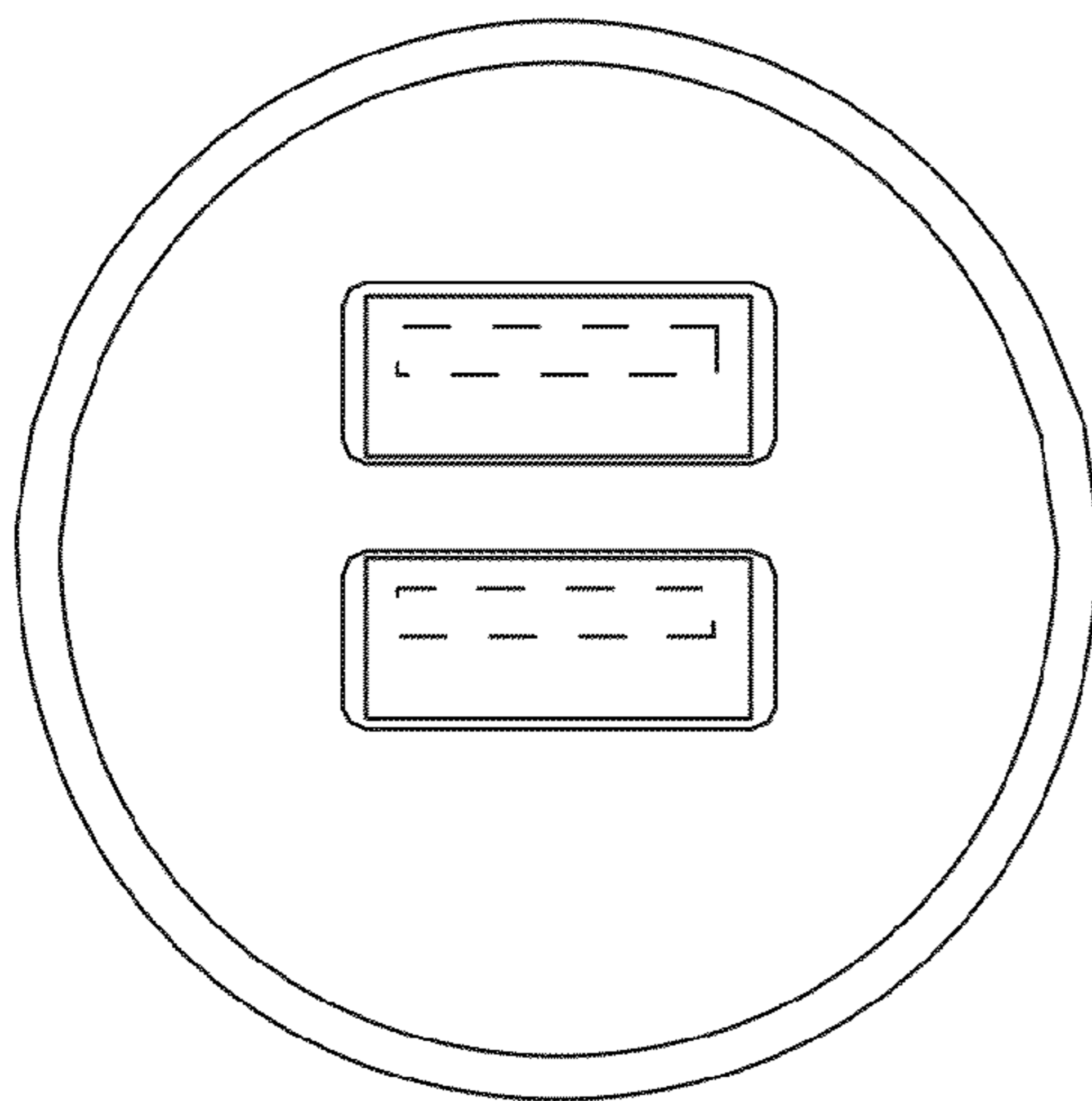


FIG. 2

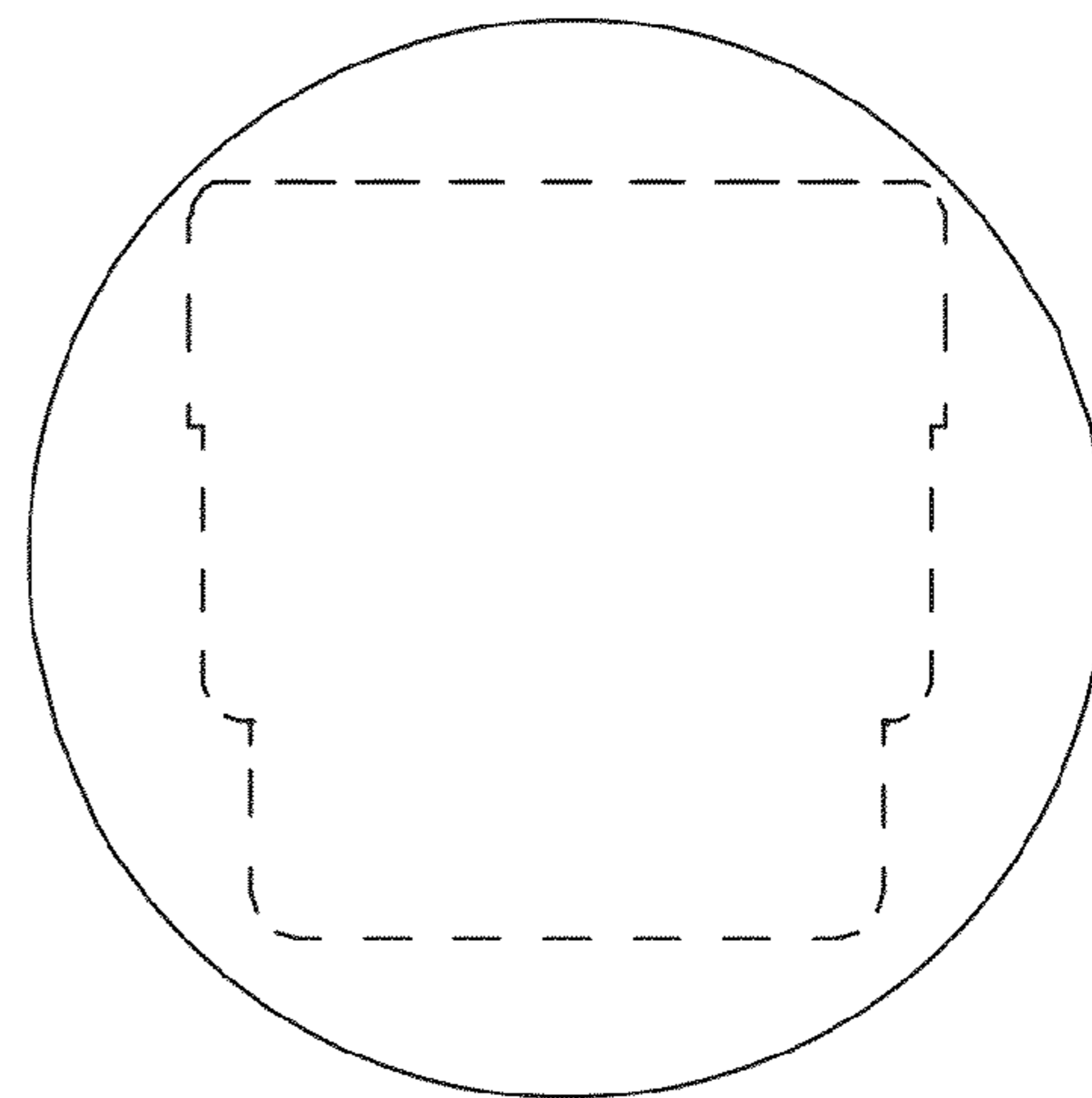


FIG. 3

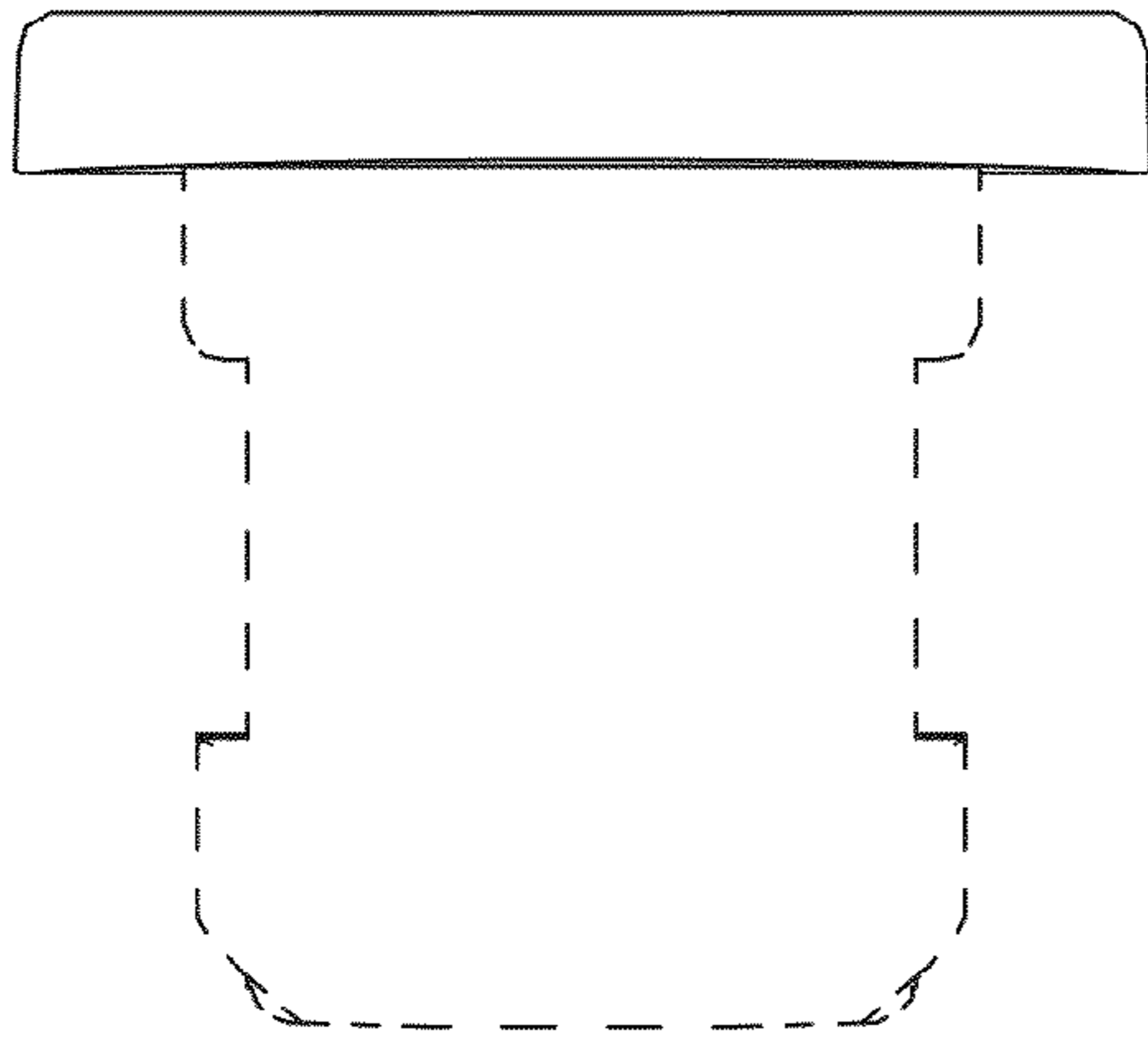


FIG. 4

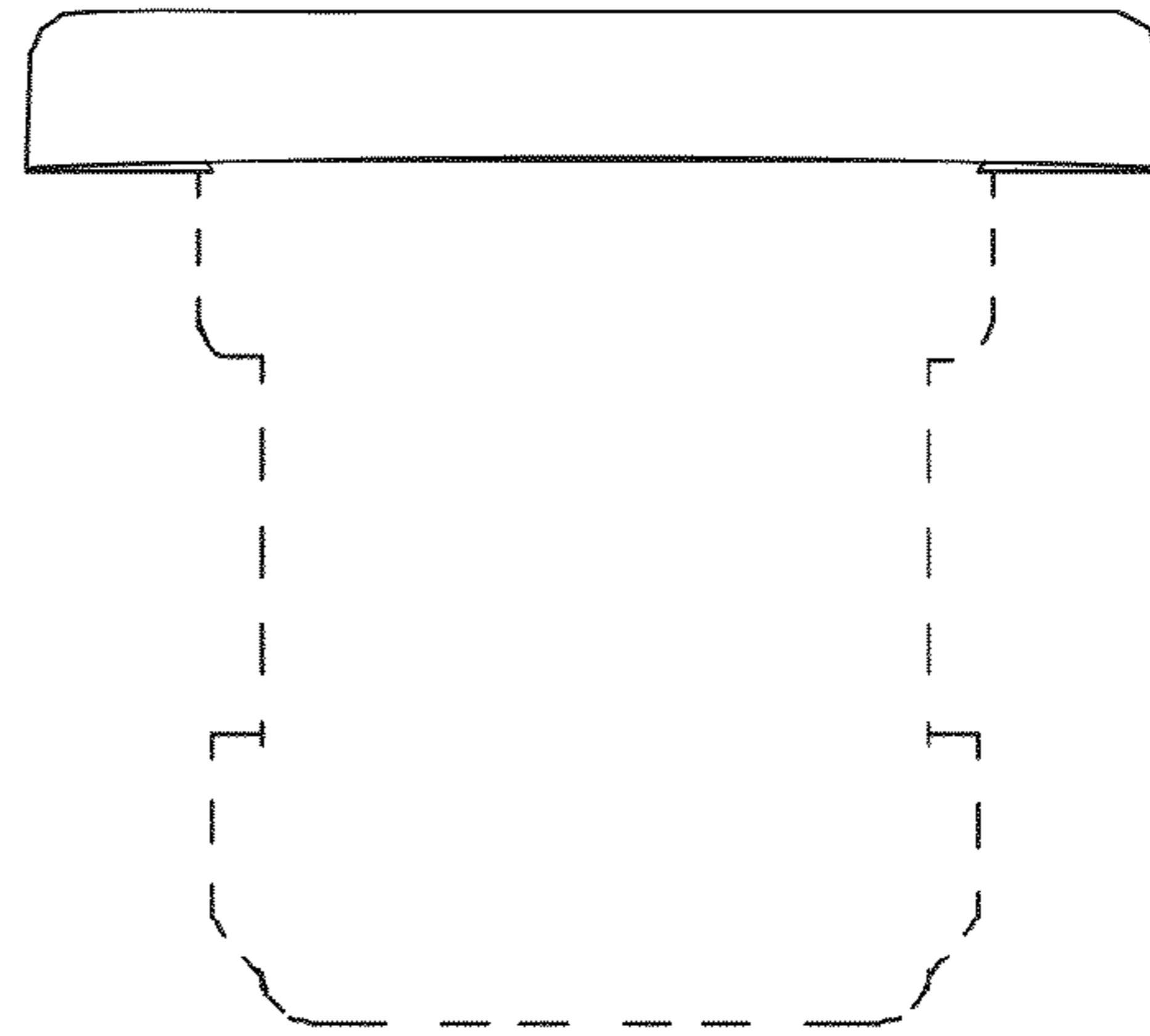


FIG. 5

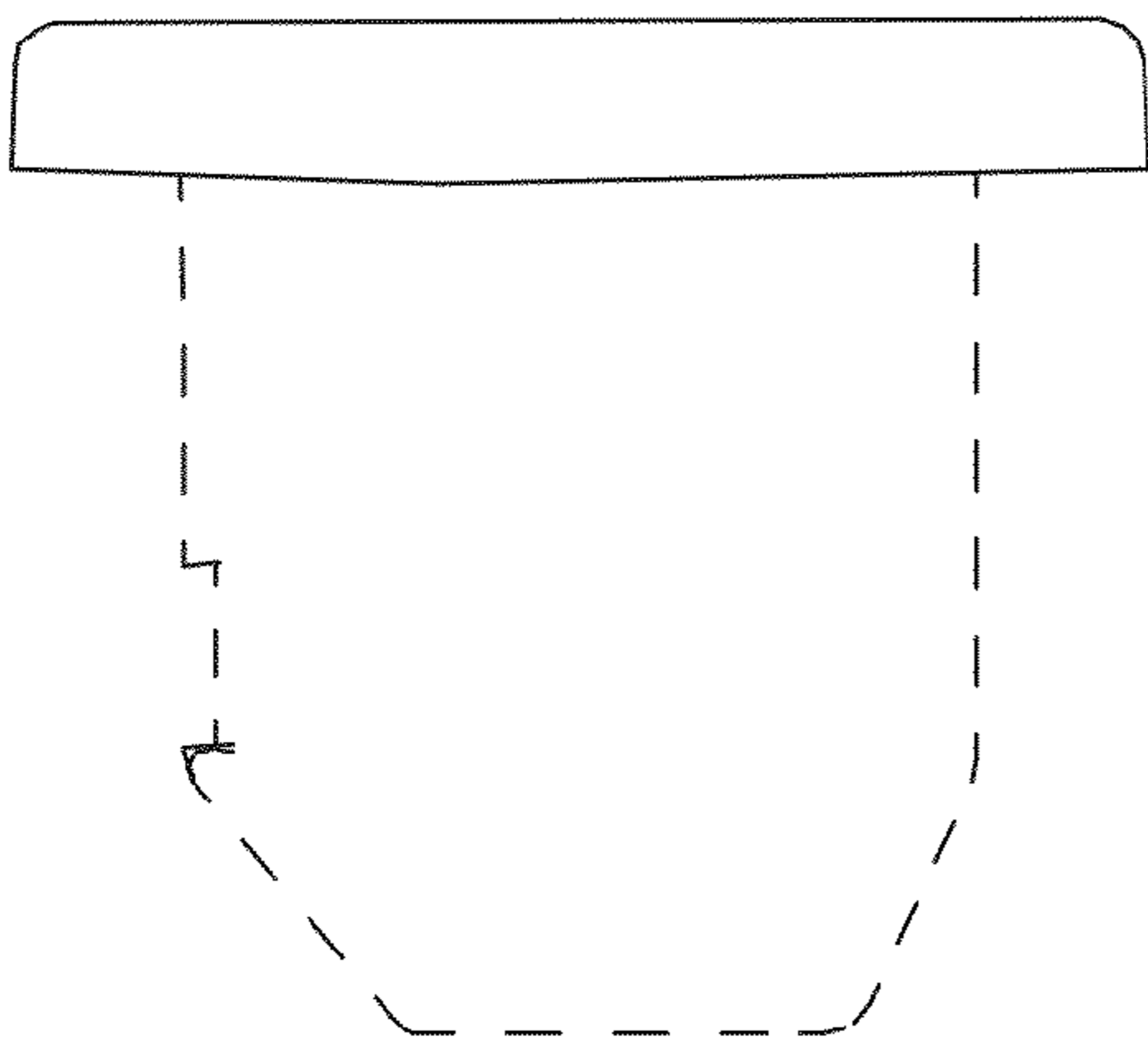


FIG. 6

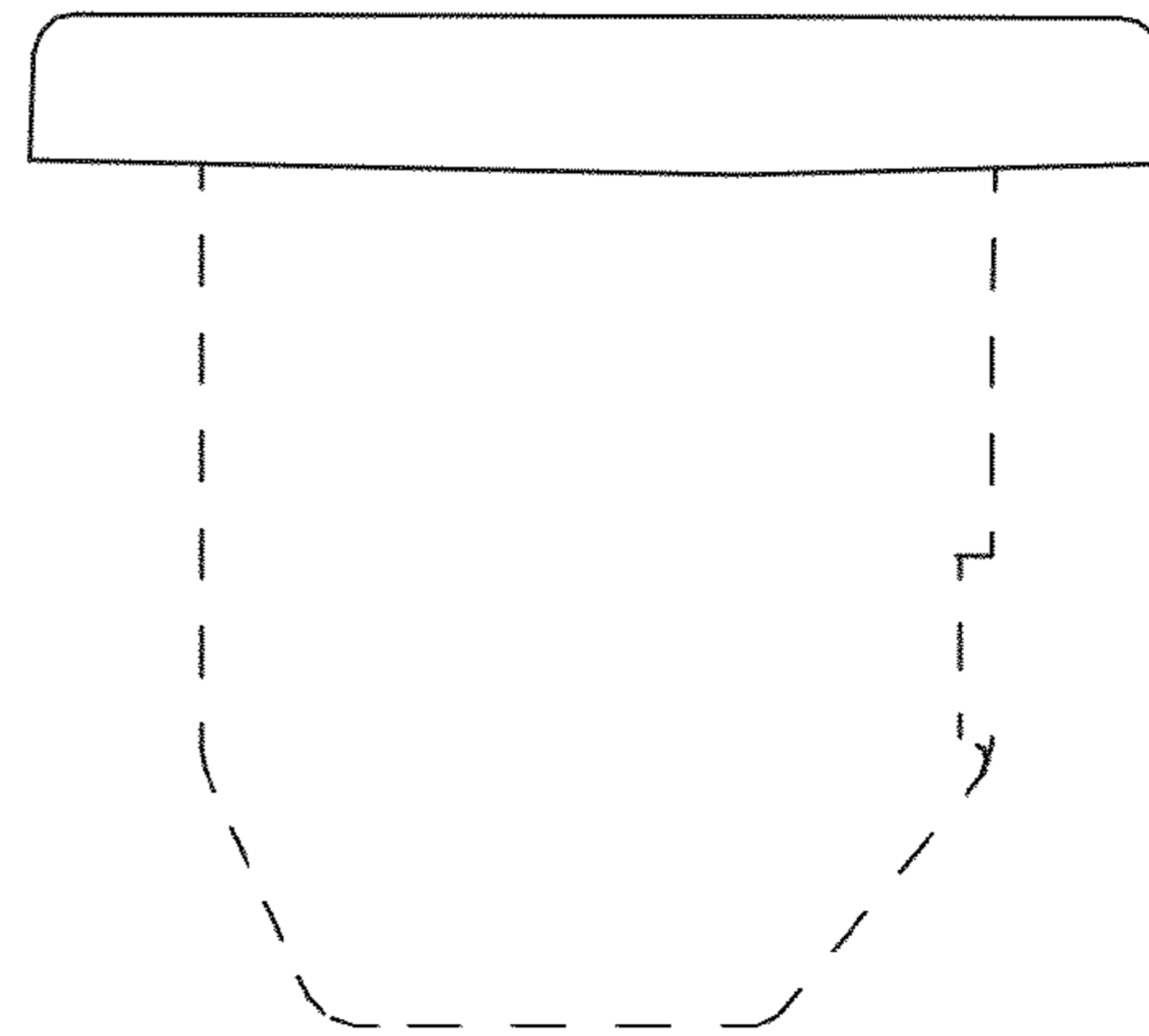


FIG. 7

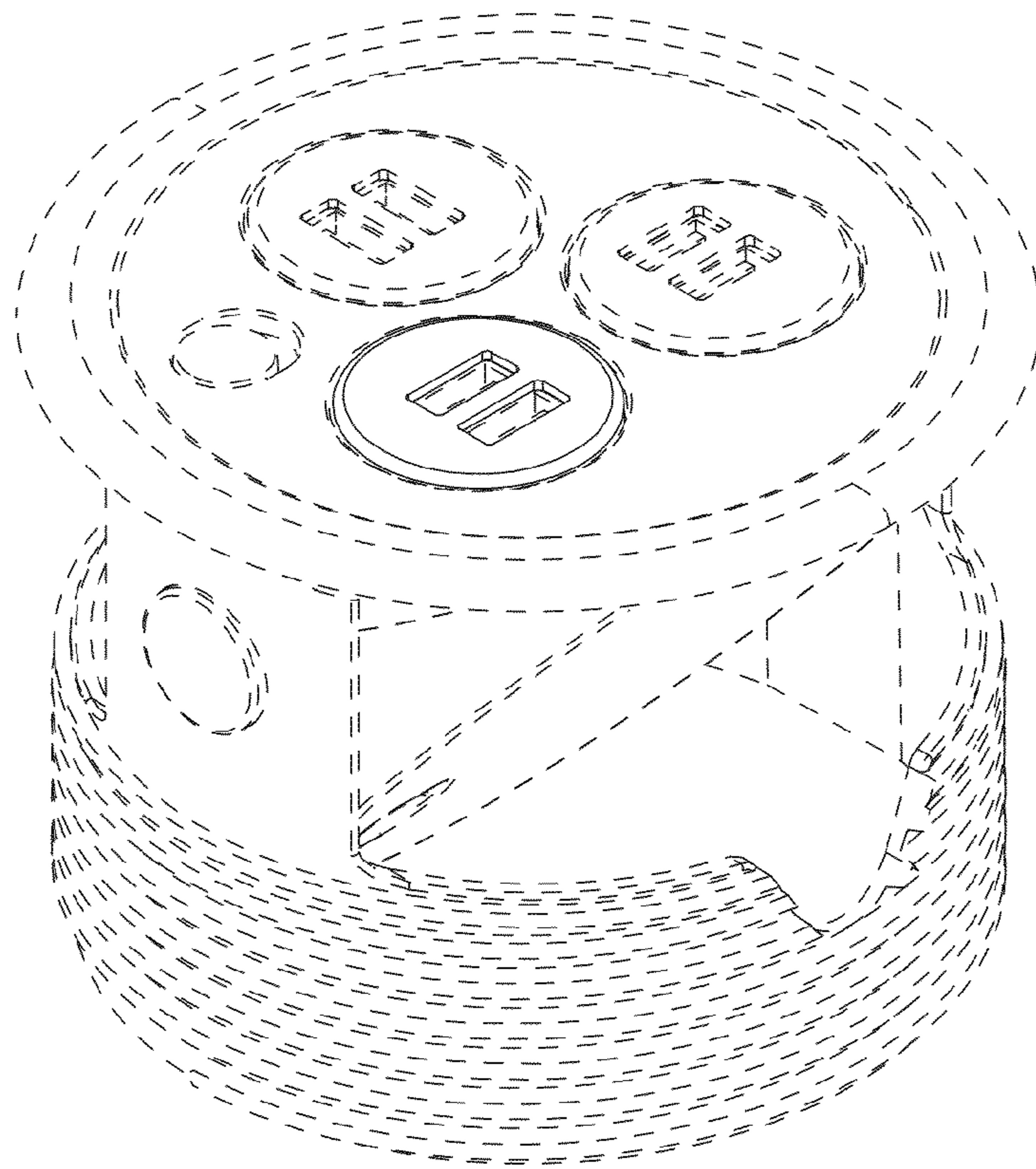


FIG. 8

UNITED STATES PATENT AND TRADEMARK OFFICE
CERTIFICATE OF CORRECTION

PATENT NO. : D721,330 S
APPLICATION NO. : 29/490844
DATED : January 20, 2015
INVENTOR(S) : Norman R. Byrne et al.

Page 1 of 5

It is certified that error appears in the above-identified patent and that said Letters Patent is hereby corrected as shown below:

The Title Page showing an illustrative figure(s) 8 should be deleted and substitute therefore the attached Title Page consisting of fig(s) 8.

Drawing sheets 1 of 3 consisting of figure(s) 1-8 should be deleted and substitute therefore the attached drawing sheets 1-3 consisting of fig(s) 1-8.

Signed and Sealed this
Eighth Day of March, 2016



Michelle K. Lee
Director of the United States Patent and Trademark Office

(12) **United States Design Patent** (10) **Patent No.:** **US D721,330 S**
 Byrne et al. (45) **Date of Patent:** ** **Jan. 20, 2015**

(54) **LOW VOLTAGE ELECTRICAL RECEPTACLE**

(71) Applicants: **Norman R. Byrne**, Ada, MI (US);
Daniel P. Byrne, Lowell, MI (US)

(72) Inventors: **Norman R. Byrne**, Ada, MI (US);
Daniel P. Byrne, Lowell, MI (US)

(**) Term: **14 Years**

(21) Appl. No.: **29/490,844**

(22) Filed: **May 14, 2014**

(51) **LOC (10) CL** **13-03**

(52) **U.S. CL**
 USPC **D13/146; D13/147**

(58) **Field of Classification Search**
 USPC **D13/147, 154, 184, 199**
 See application file for complete search history.

(56) **References Cited**

U.S. PATENT DOCUMENTS

2,249,827	A	7/1941	Herman	
3,611,257	A	10/1971	Carkhuff	
3,850,496	A	11/1974	Hague	
4,372,629	A	2/1983	Propst	
4,747,788	A	5/1988	Byrne	
4,984,982	A	1/1991	Brownlie	
5,234,355	A	8/1993	Sosinski et al.	
D342,937	S *	1/1994	Angel et al.	D13/146
D350,727	S *	9/1994	Landry et al.	D13/146
5,575,668	A	11/1996	Timmerman	
5,647,751	A	7/1997	Shulman et al.	
5,709,156	A	1/1998	Gavaert	
D399,826	S *	10/1998	Byrne	D13/146
D418,815	S *	1/2000	Byrne	D13/146
D430,539	S	9/2000	Leopold et al.	
6,290,512	B1	9/2001	Mullen, Jr.	
6,488,540	B2	12/2002	Coyle et al.	
D479,825	S *	9/2003	Huang	D13/146
6,981,896	B2	1/2006	Su	
7,244,128	B2	7/2007	Byrne	
7,258,564	B1	8/2007	Su	

D558,676	S	1/2008	Fort et al.	
D568,816	S	5/2008	Michenls	
D573,950	S	7/2008	Schwartz	
7,559,795	B2	7/2009	Byrne	
D601,503	S *	10/2009	Gribble et al.	D13/146
7,833,037	B2	11/2010	Reusche et al.	
D674,754	S	1/2013	Zanoni et al.	
8,480,415	B2	7/2013	Byrne	
8,512,065	B2	8/2013	Byrne et al.	
D701,836	S	4/2014	Byrne	
2010/0068908	A1	3/2010	Byrne	

(Continued)

OTHER PUBLICATIONS

Heyco datasheet entitled "Preassembled Cordset Components: Tri-Tap Premold-NEMA 5-15R," available at http://www.heyco.com/Power_Components/pdf/8-28.pdf.

(Continued)

Primary Examiner — Daniel Bui

(74) *Attorney, Agent, or Firm* — Gardner, Linn, Burkhardt & Flory, LLP

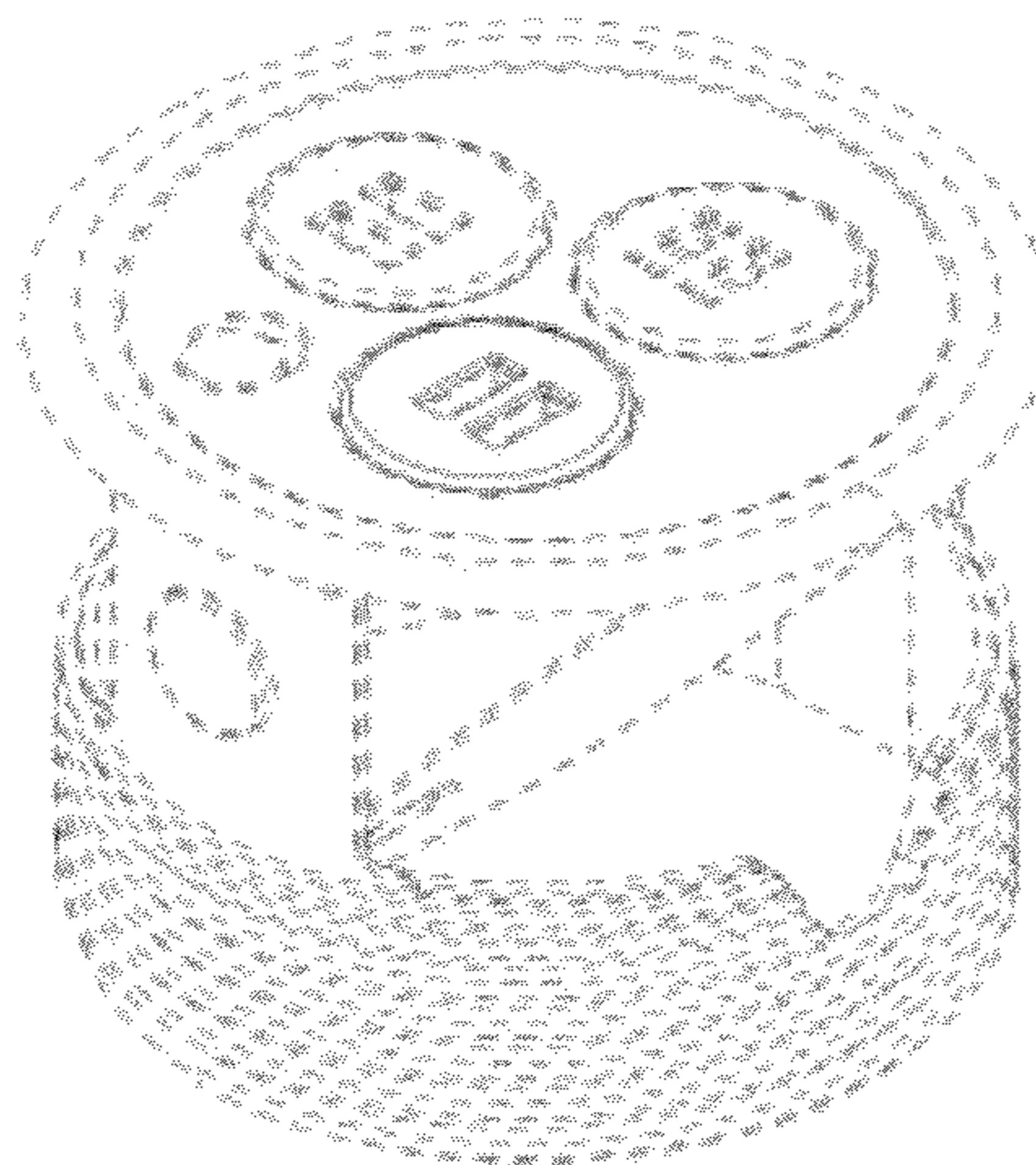
(57) **CLAIM**

The ornamental design for a low voltage electrical receptacle, as shown and described.

DESCRIPTION

FIG. 1 is a perspective view of a low voltage electrical receptacle showing our new design;
 FIG. 2 is a top plan view thereof;
 FIG. 3 is a bottom plan view thereof;
 FIG. 4 is a front elevation thereof;
 FIG. 5 is a rear elevation thereof;
 FIG. 6 is a right side elevation thereof;
 FIG. 7 is a left side elevation thereof; and,
 FIG. 8 is a perspective view thereof, in a use condition.
 In the drawings, the broken lines depict environmental subject matter only and form no part of the claimed design.

1 Claim, 3 Drawing Sheets



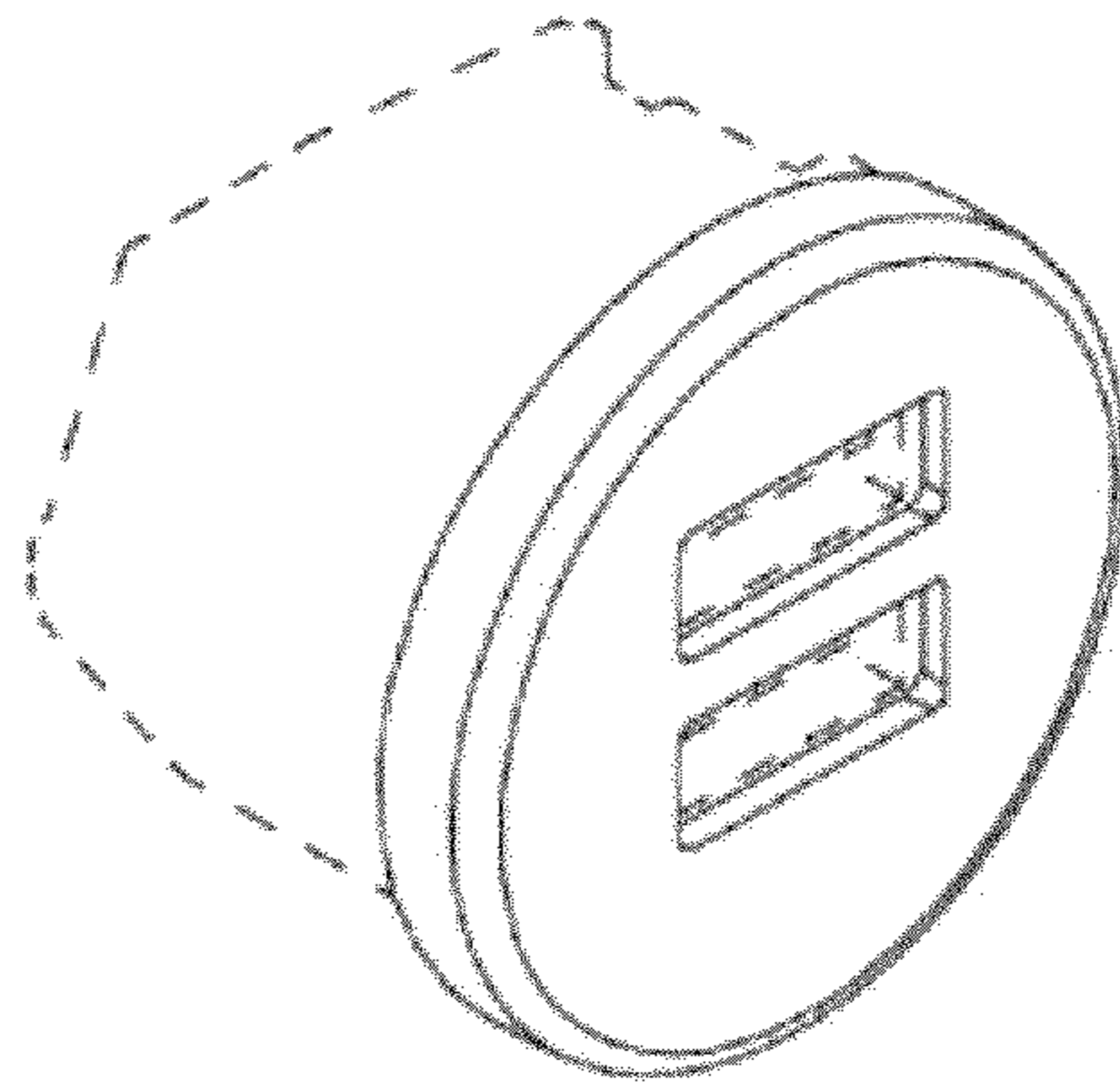


FIG. 1

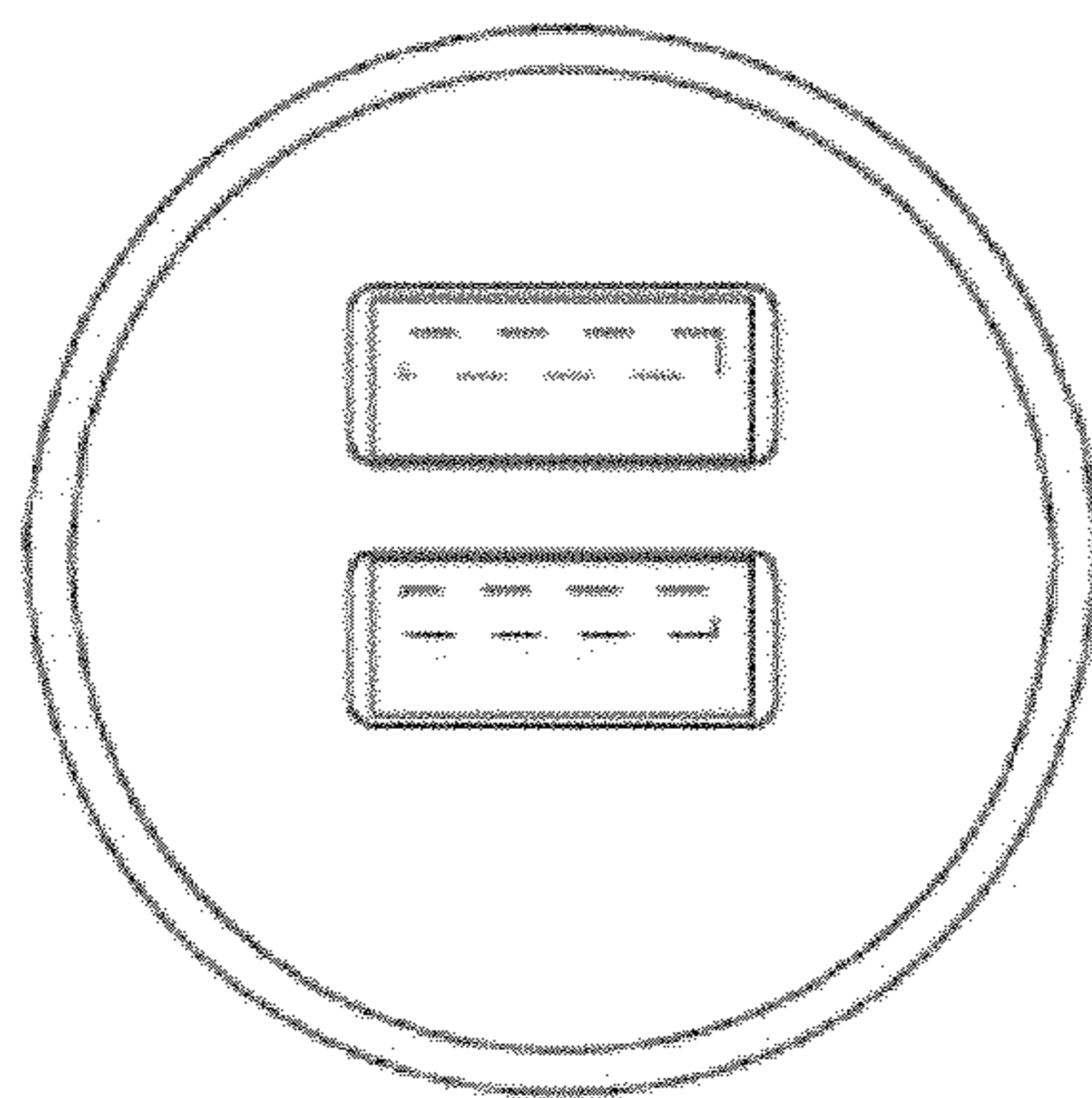


FIG. 2

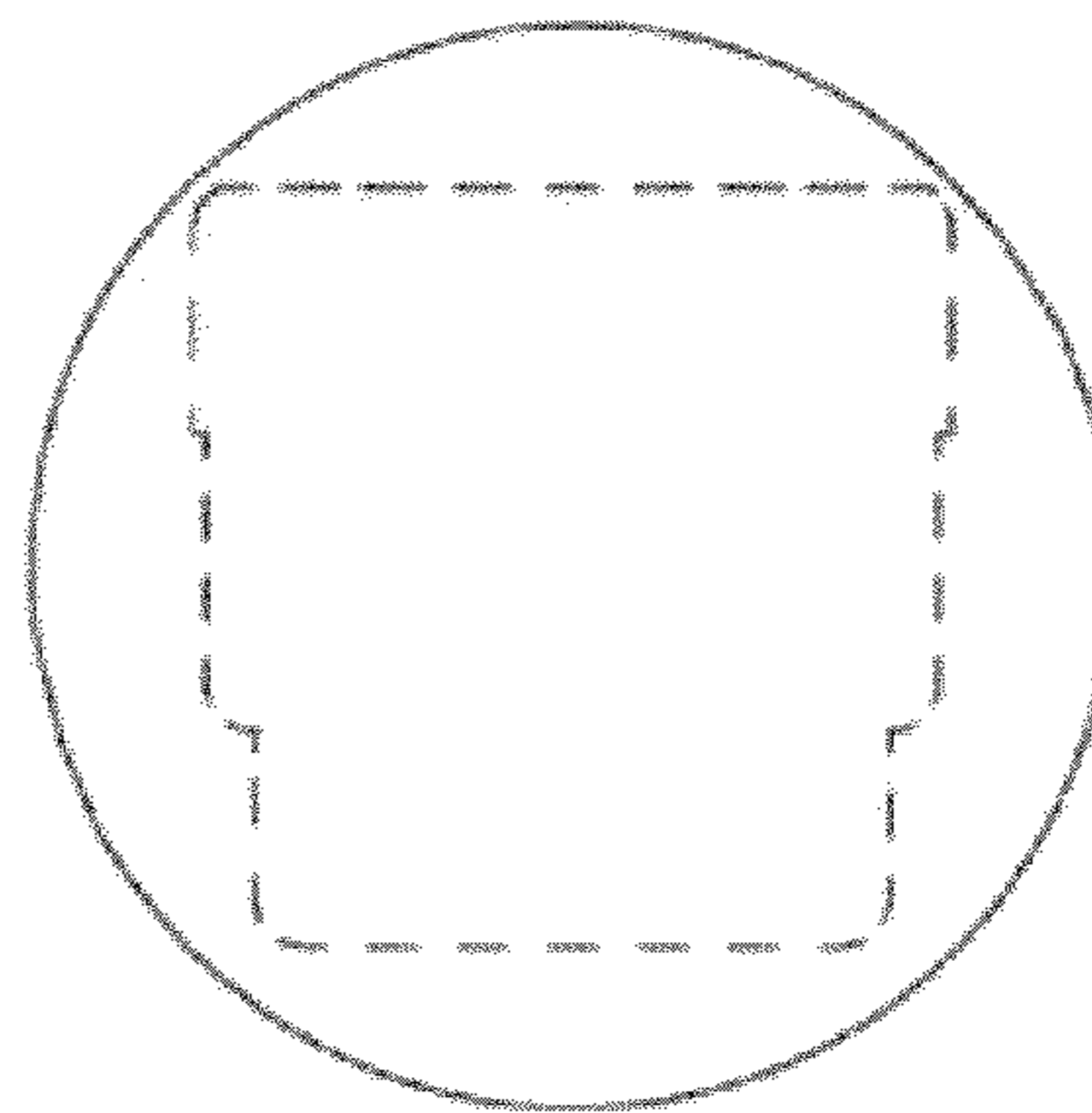


FIG. 3

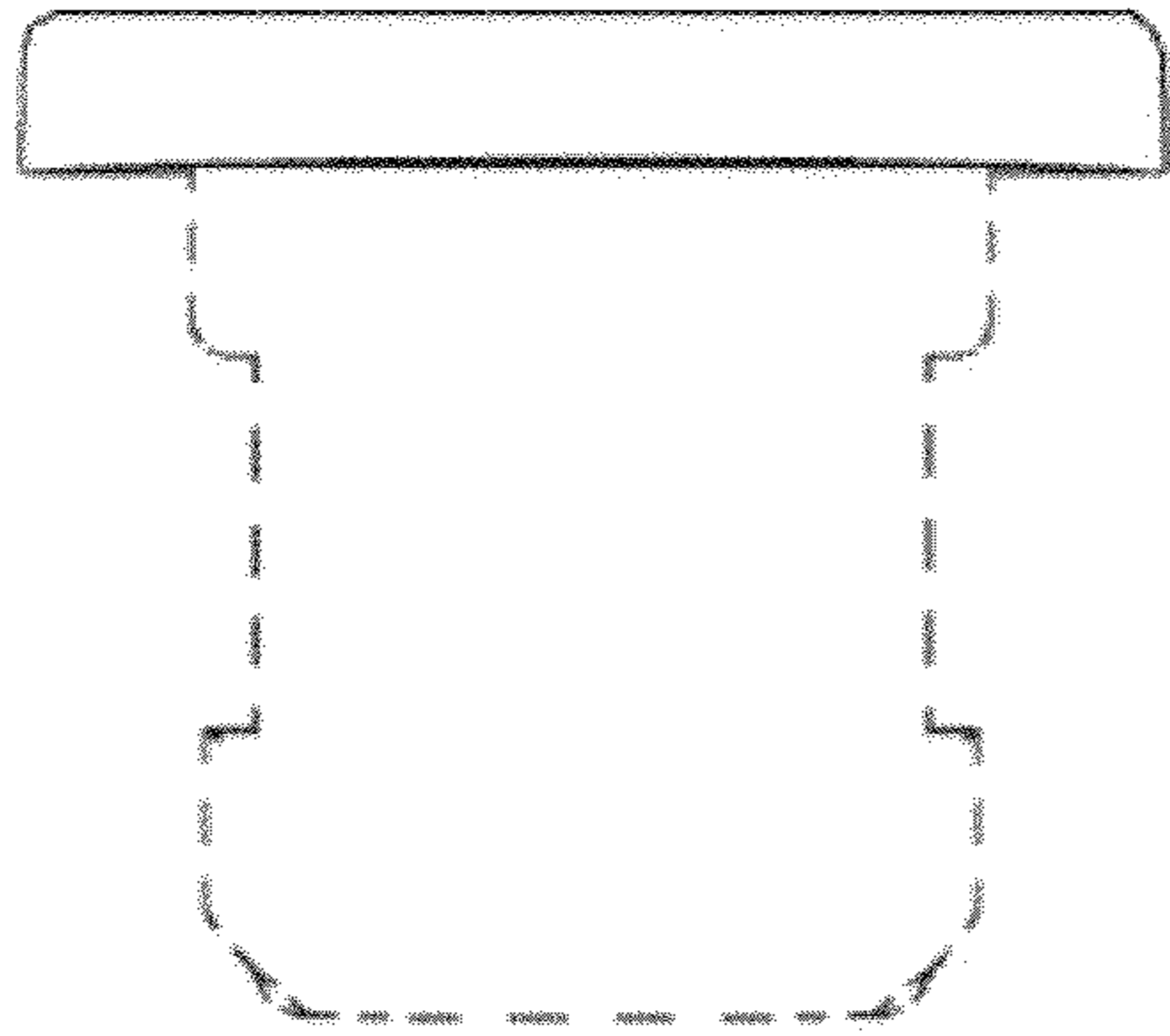


FIG. 4

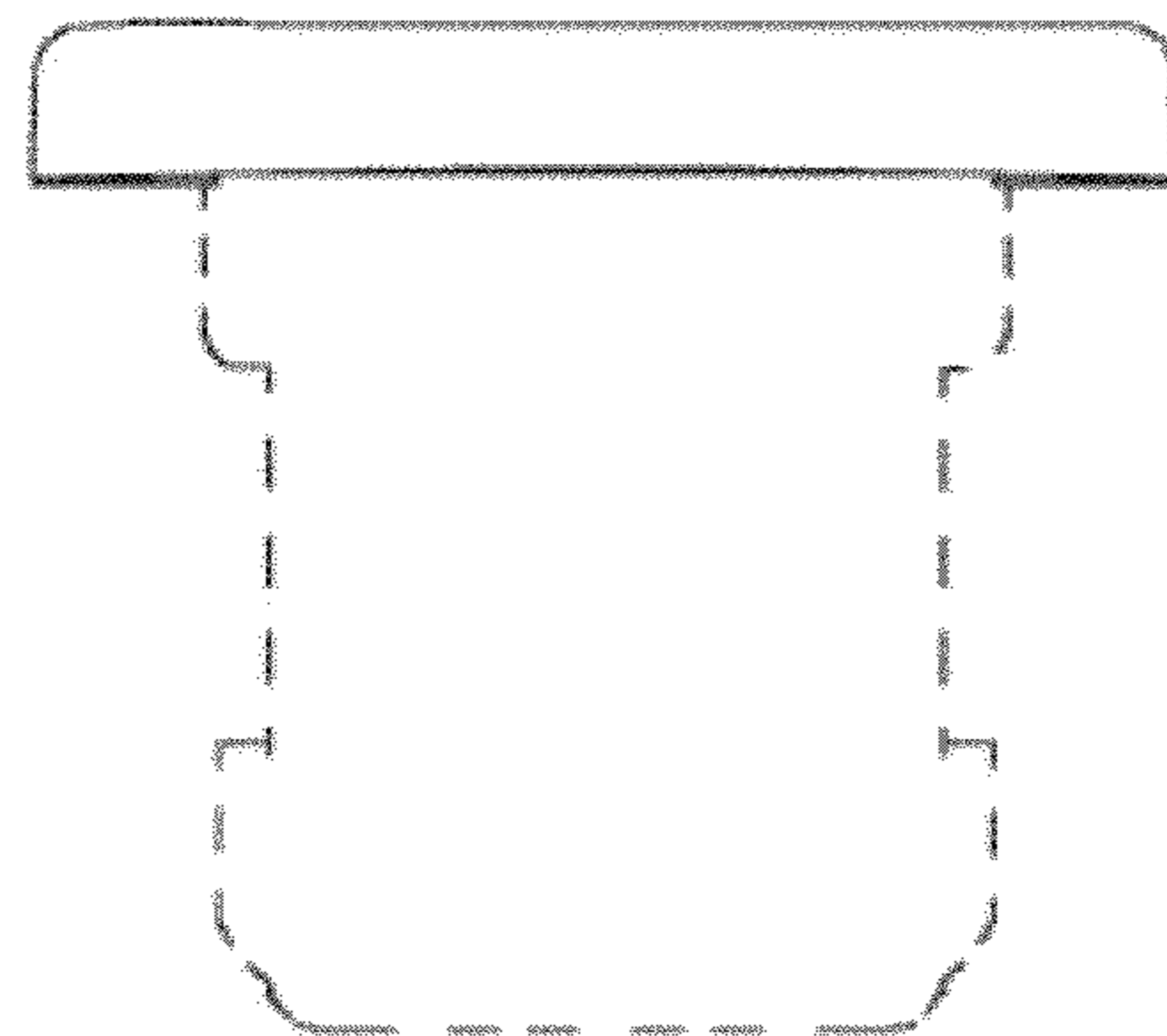


FIG. 5

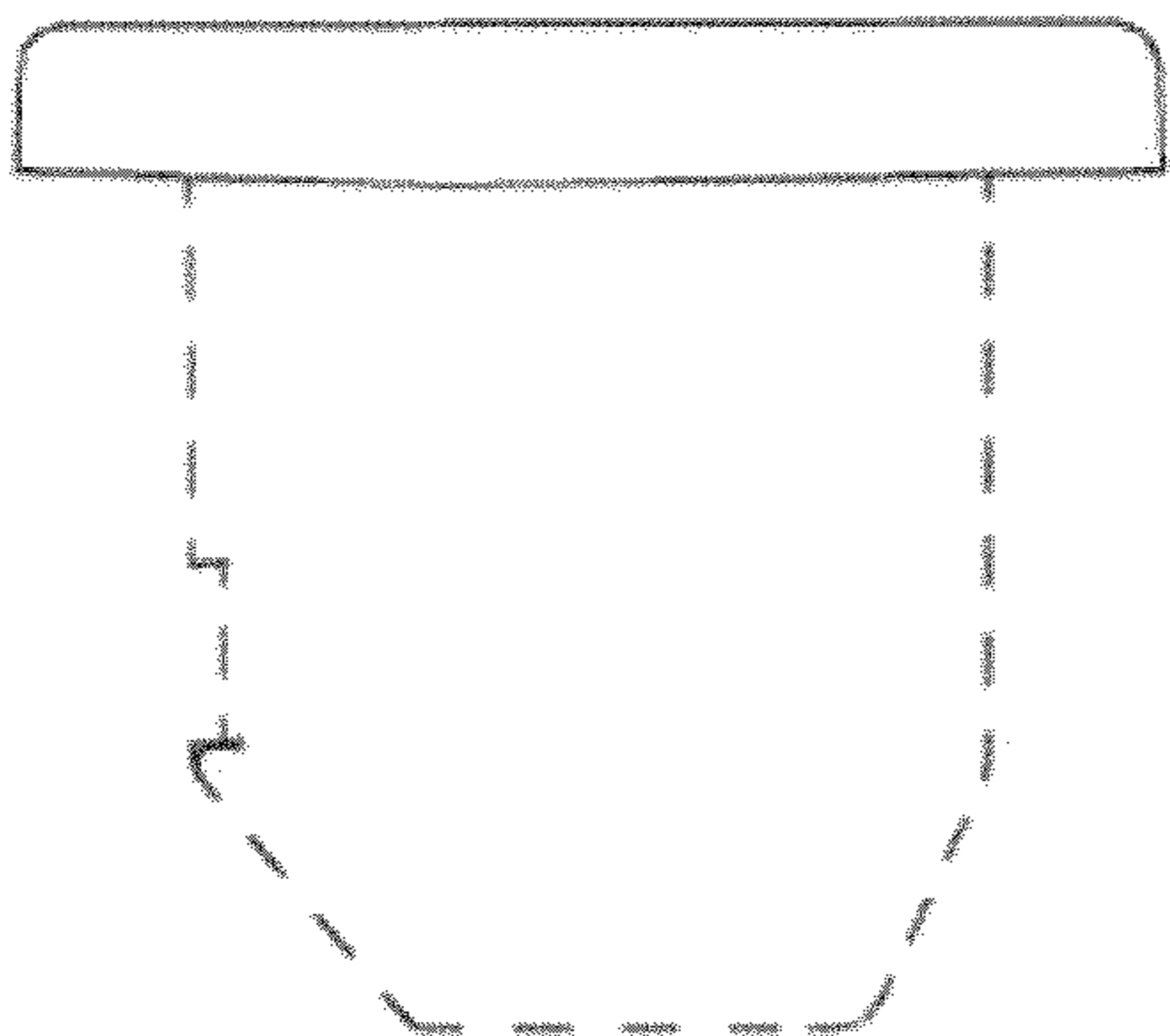


FIG. 6

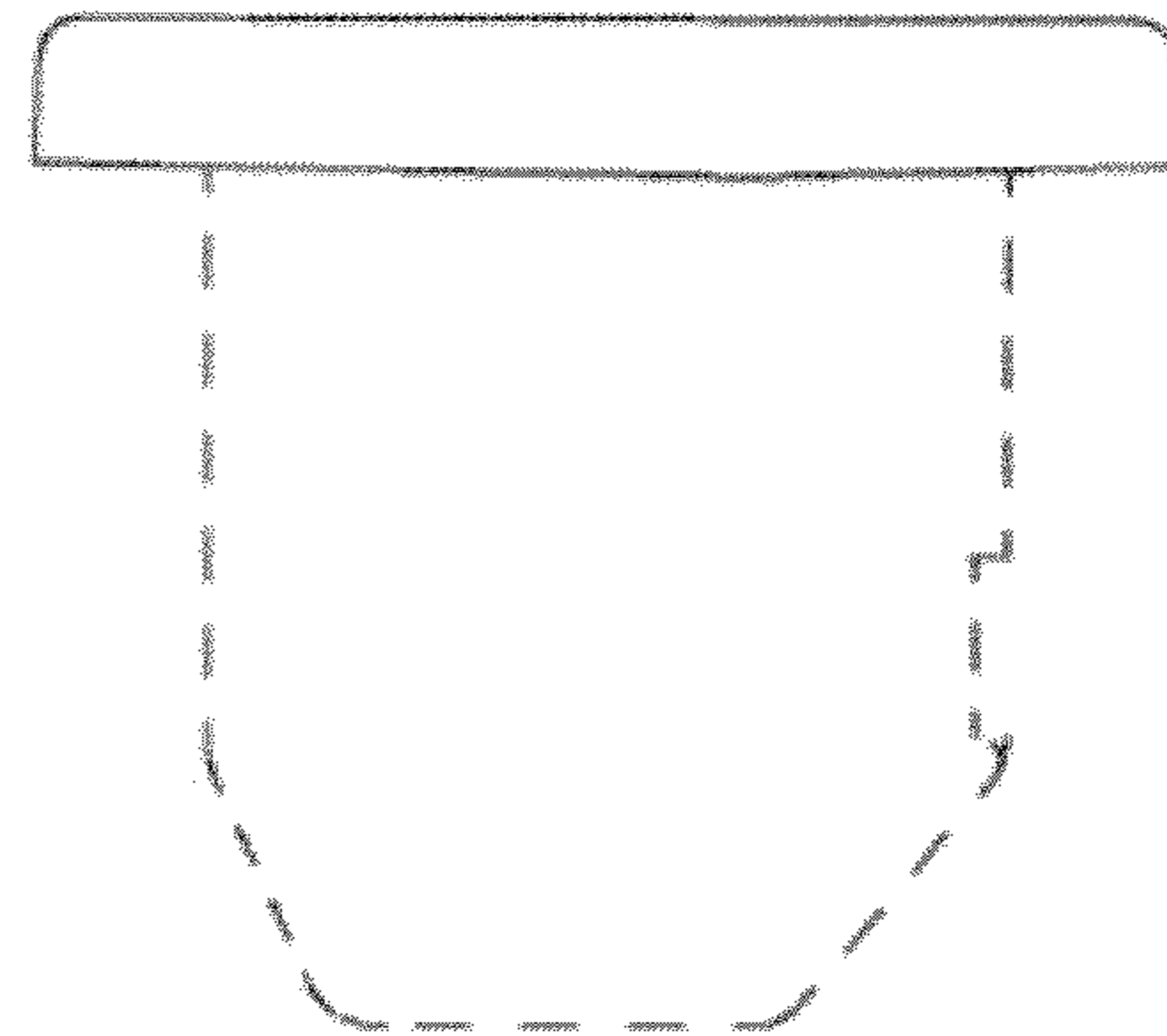


FIG. 7

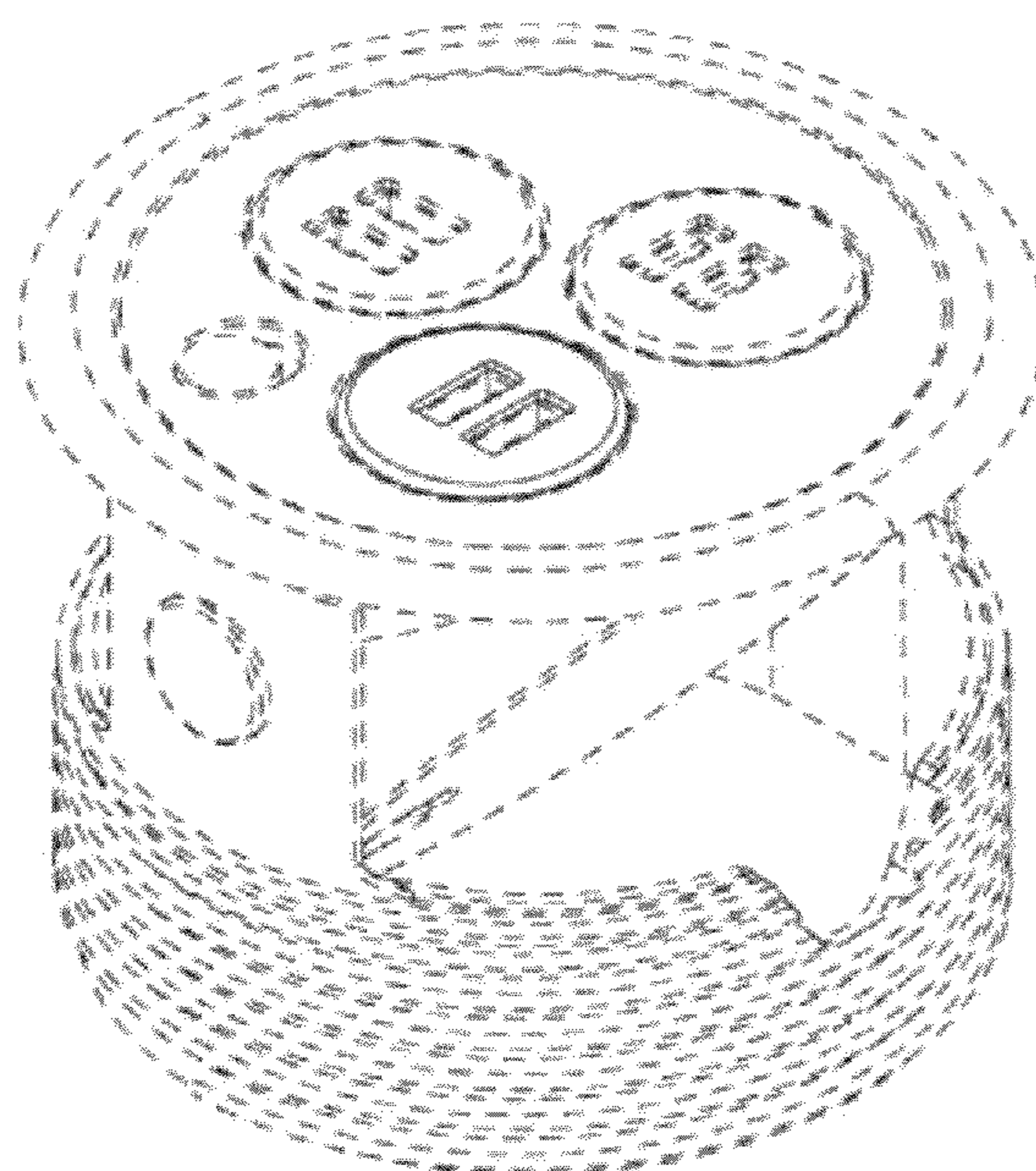


FIG. 8