



US00D721328S

(12) **United States Design Patent**
Freeman et al.

(10) **Patent No.:** **US D721,328 S**
(45) **Date of Patent:** **** Jan. 20, 2015**

(54) **HOUSING FOR A CHARGING DEVICE**

(71) Applicant: **Advanced Charging Technologies, LLC, Tulsa, OK (US)**

(72) Inventors: **Michael H. Freeman, Tulsa, OK (US); W. J. "Jim" Weaver, Jr., Tulsa, OK (US); Roy Matthew Milner, II, Broken Arrow, OK (US); Mitchael C. Freeman, Sapulpa, OK (US); Robert Dieter, Owasso, OK (US); Brian Santee, Tulsa, OK (US)**

(73) Assignee: **Advanced Charging Technologies, LLC, Tulsa, OK (US)**

(**) Term: **14 Years**

(21) Appl. No.: **29/449,732**

(22) Filed: **Mar. 15, 2013**

(51) **LOC (10) Cl.** **13-02**

(52) **U.S. Cl.**
USPC **D13/110**

(58) **Field of Classification Search**
USPC D13/101, 103, 107, 108, 110, 112, 123, D13/133, 137.1-137.4, 139.1-139.8, 184, D13/199; D14/432, 433; 174/53, 59; 363/146, 15, 34; 439/131, 171, 172, 439/173

See application file for complete search history.

(56) **References Cited**

U.S. PATENT DOCUMENTS

4,625,259	A *	11/1986	Krechmer et al.	361/610
5,220,152	A *	6/1993	Doran	219/201
5,791,921	A *	8/1998	Lee	439/172
5,967,807	A *	10/1999	Wu	439/131
6,042,400	A *	3/2000	Queffelec et al.	439/131
6,062,880	A *	5/2000	Skuzza	439/131
6,126,460	A *	10/2000	Wu	439/131

7,787,238	B2 *	8/2010	Liao et al.	361/679.01
D677,223	S *	3/2013	Cho	D13/110
D682,202	S *	5/2013	Weaver et al.	D13/108
D682,781	S *	5/2013	Wakafuji et al.	D13/110
D702,633	S *	4/2014	Andre et al.	D13/110

* cited by examiner

Primary Examiner — Derrick Holland

Assistant Examiner — Jennifer O King

(74) *Attorney, Agent, or Firm* — Howard & Howard Attorneys PLLC

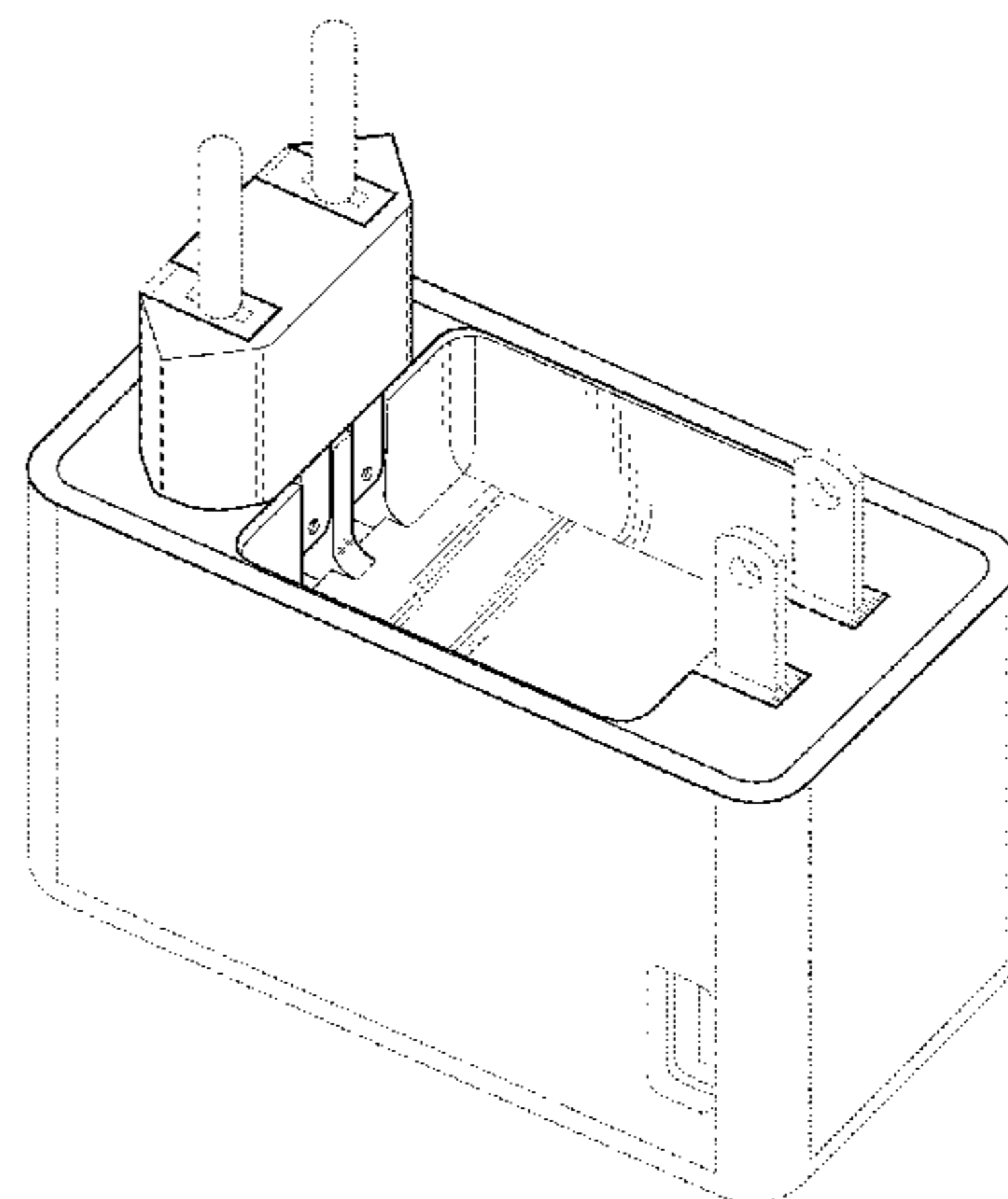
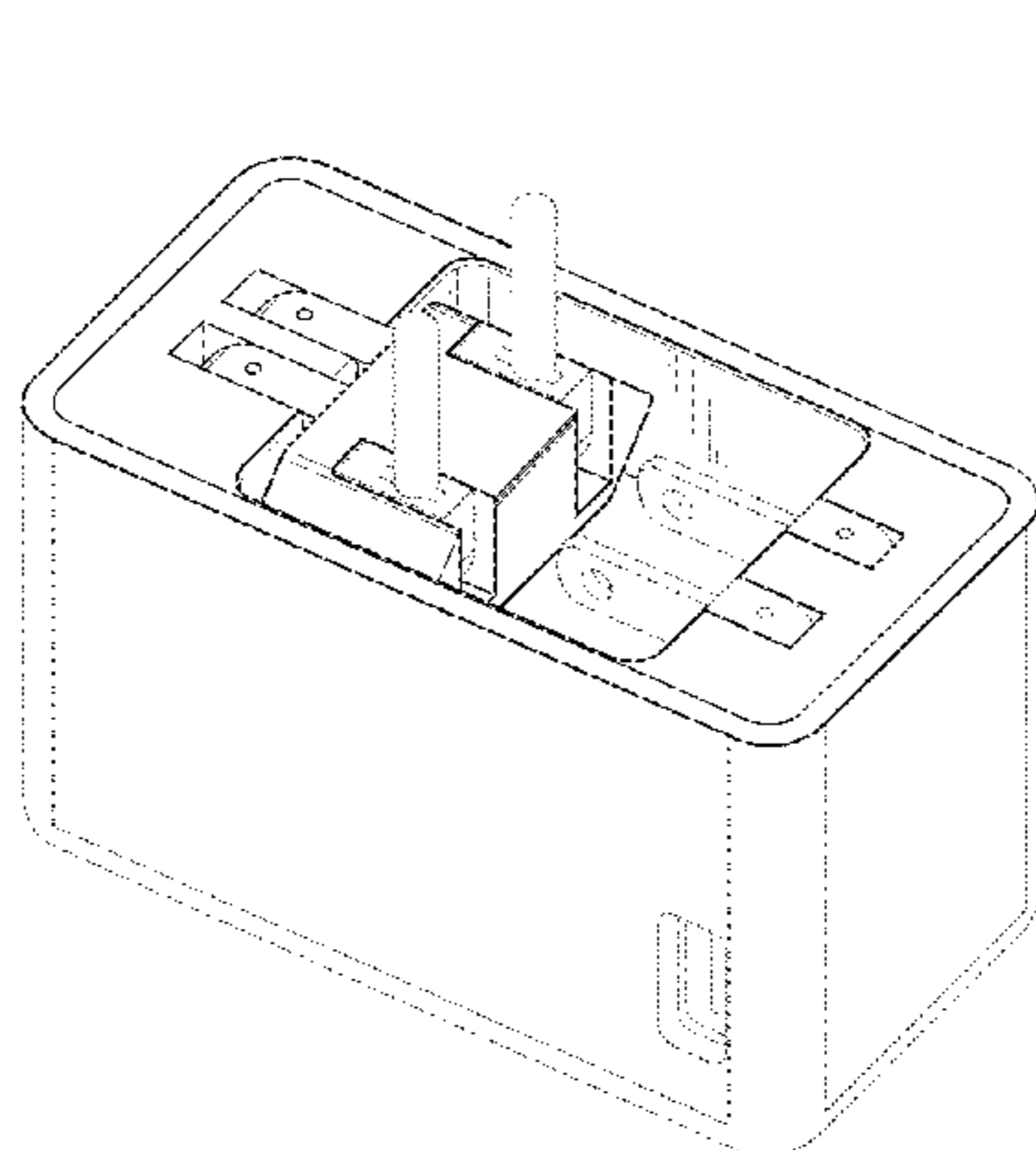
(57) **CLAIM**

We claim the ornamental design for a housing for a charging device, as shown and described.

DESCRIPTION

FIG. 1 is a first perspective view of a housing for a charging device showing our new design; FIG. 2 is a left side elevation view thereof; FIG. 3 is a right side elevation view thereof; FIG. 4 is a top view thereof; FIG. 5 is a front view thereof; FIG. 6 is a rear view thereof; FIG. 7 is a second perspective view thereof; FIG. 8 is a third perspective view of a housing for a charging device with a first set of electrical prongs in a first extended position; FIG. 9 is a fourth perspective view of a housing for a charging device with the first set of electrical prongs in a second extended position; FIG. 10 is a fifth perspective view of a housing for a charging device with a second set of electrical prongs in an extended position; FIG. 11 is a sixth perspective view of a housing for a charging device with the first set of electrical prongs in the first extended position and the second set of electrical prongs in the extended position; FIG. 12 is a bottom view thereof; FIG. 13 is a perspective view of another embodiment of a housing for a charging device showing our new design; and, FIG. 14 is a second perspective view thereof with the first set of electrical prongs in an extended position. The broken lines shown represent unclaimed subject matter and form no part of the claimed design.

1 Claim, 7 Drawing Sheets



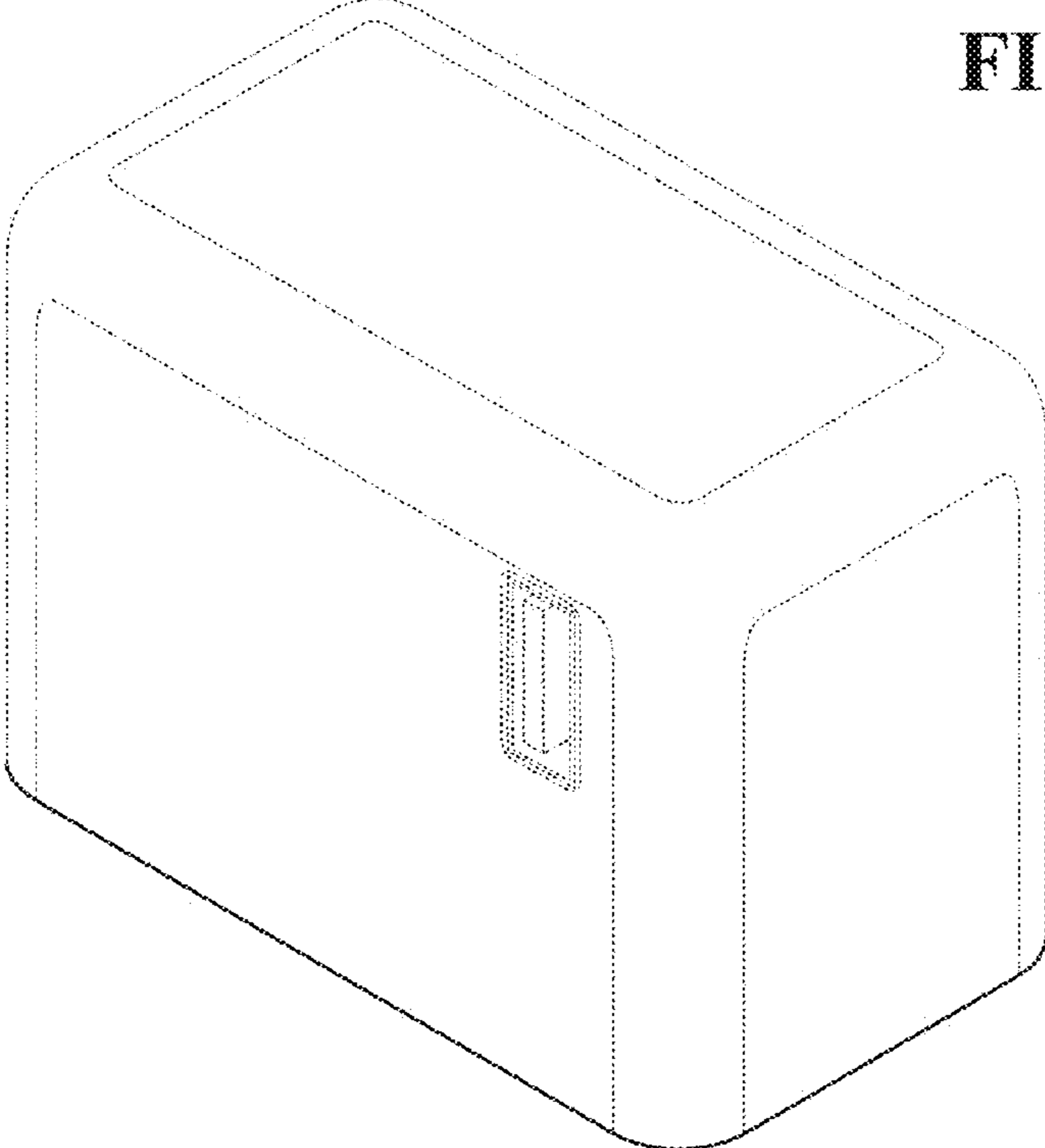


FIG. 1

FIG. 2

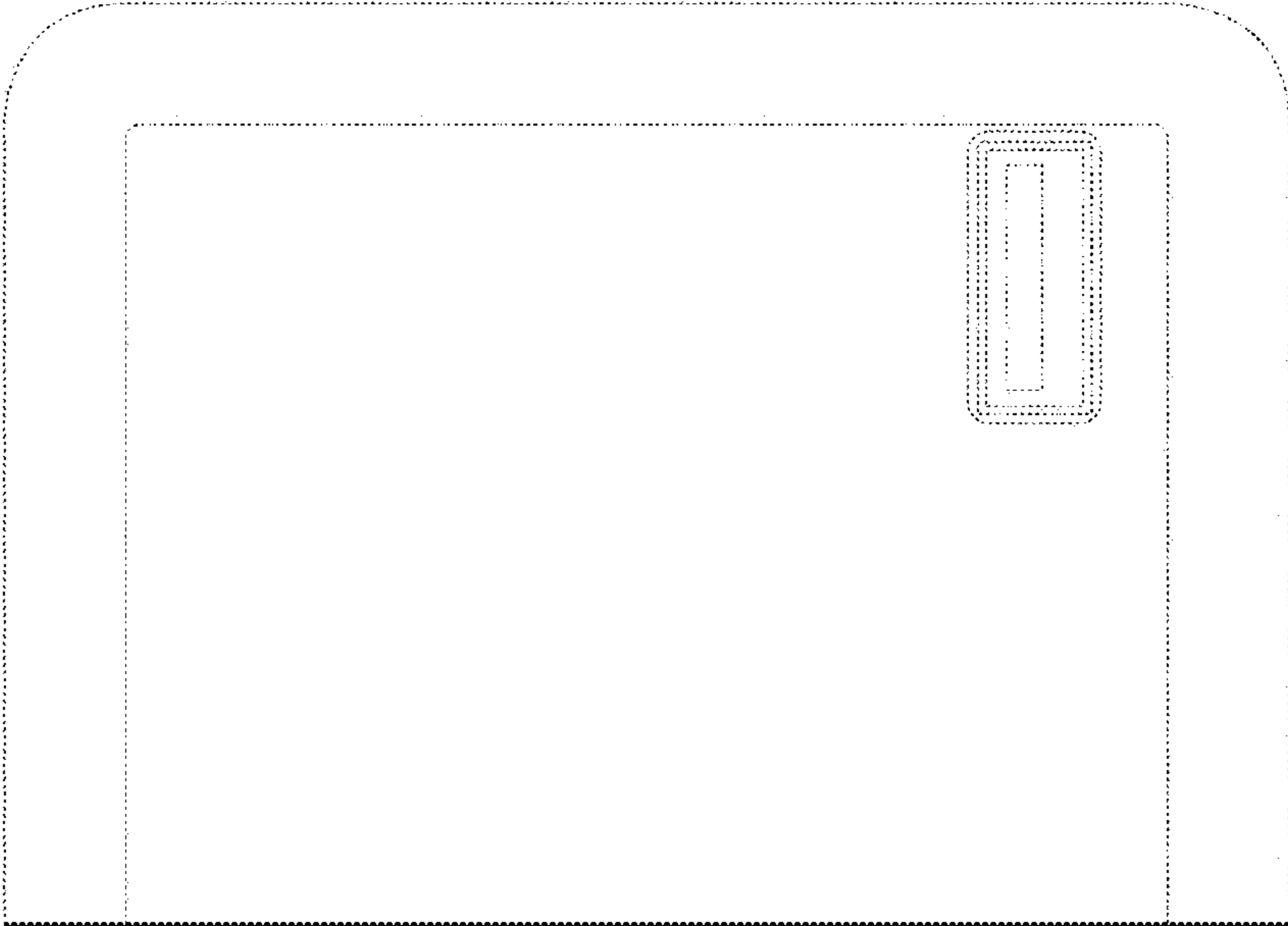


FIG. 3

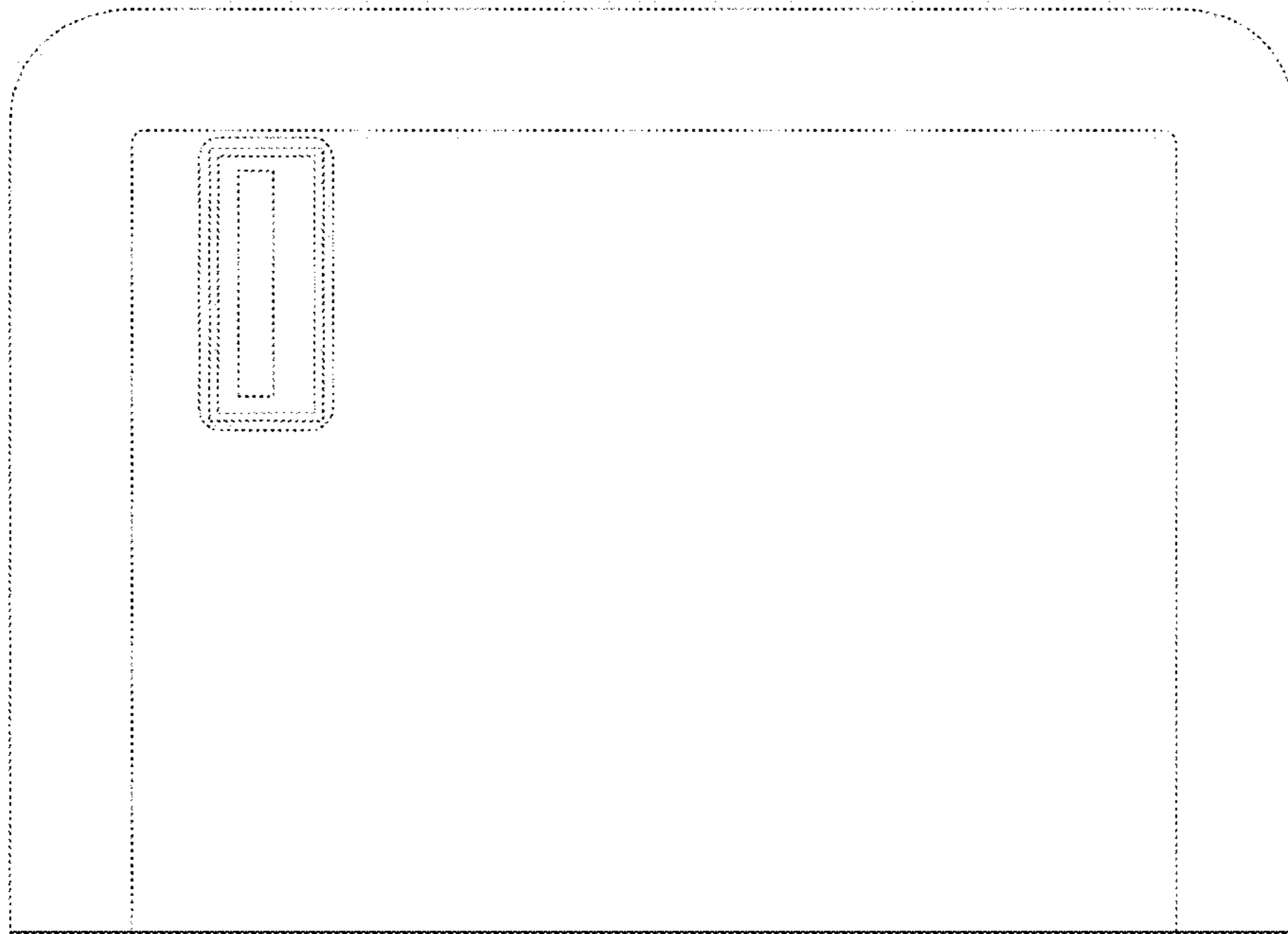


FIG. 4

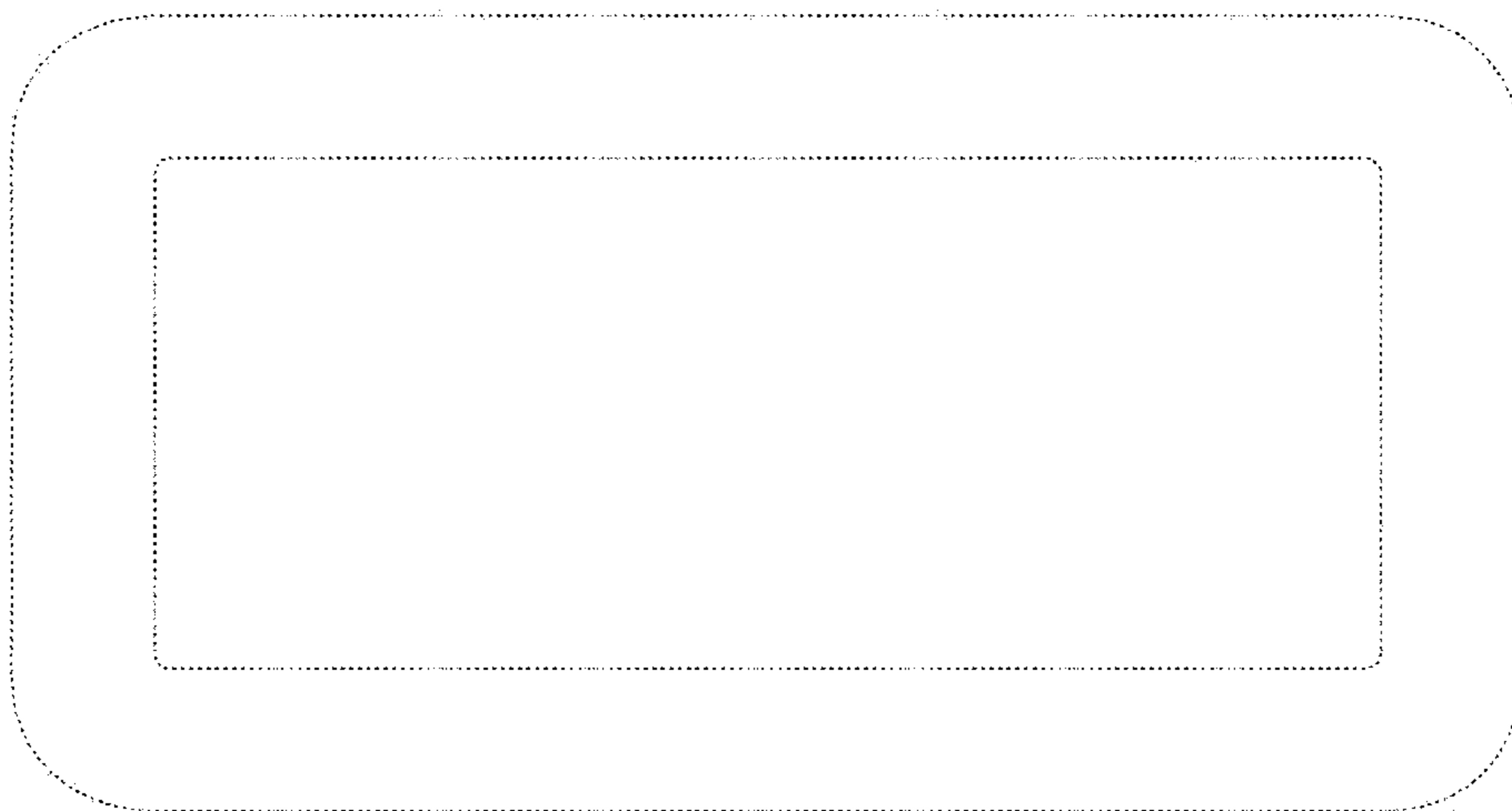


FIG. 5

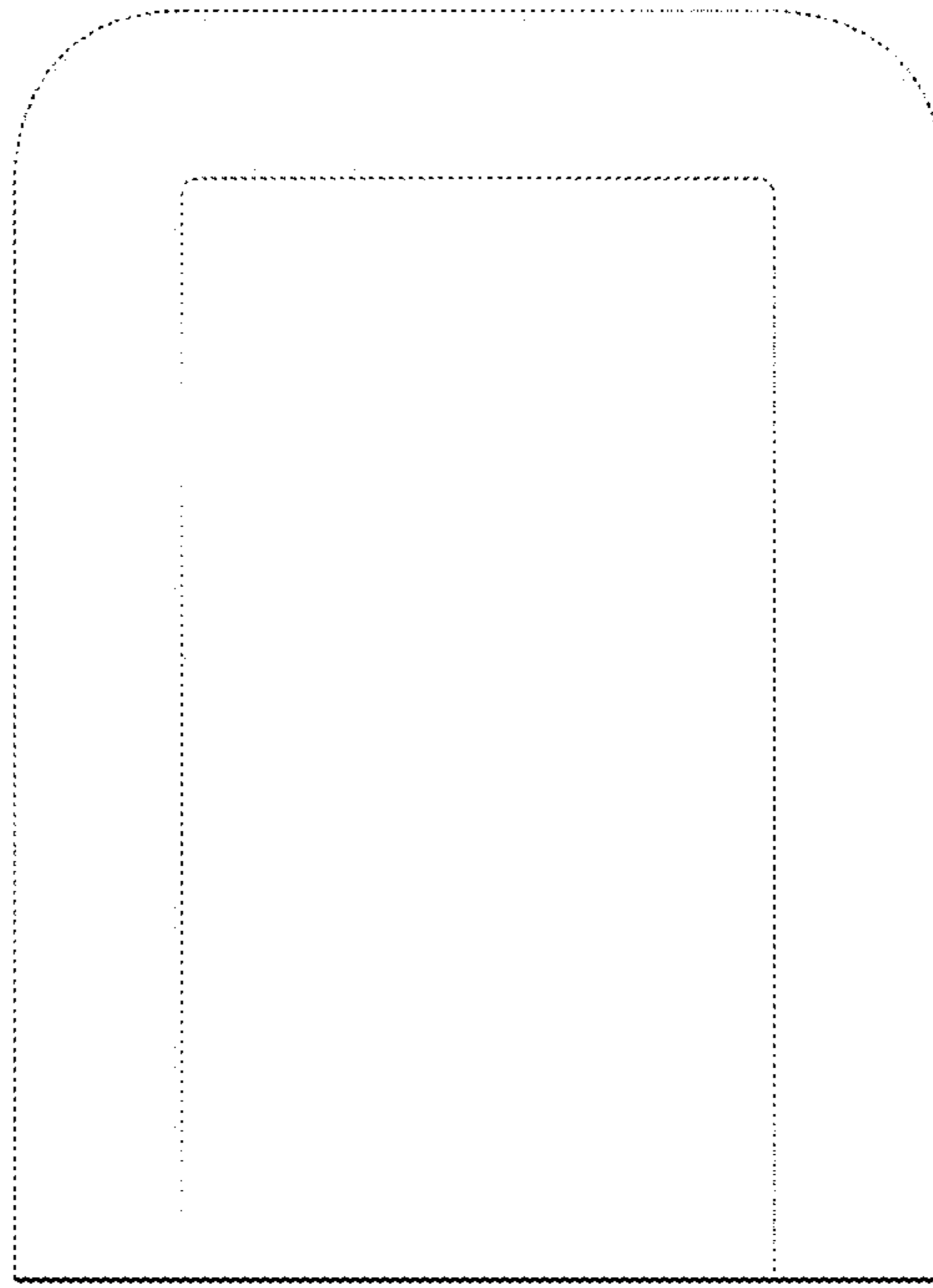


FIG. 6

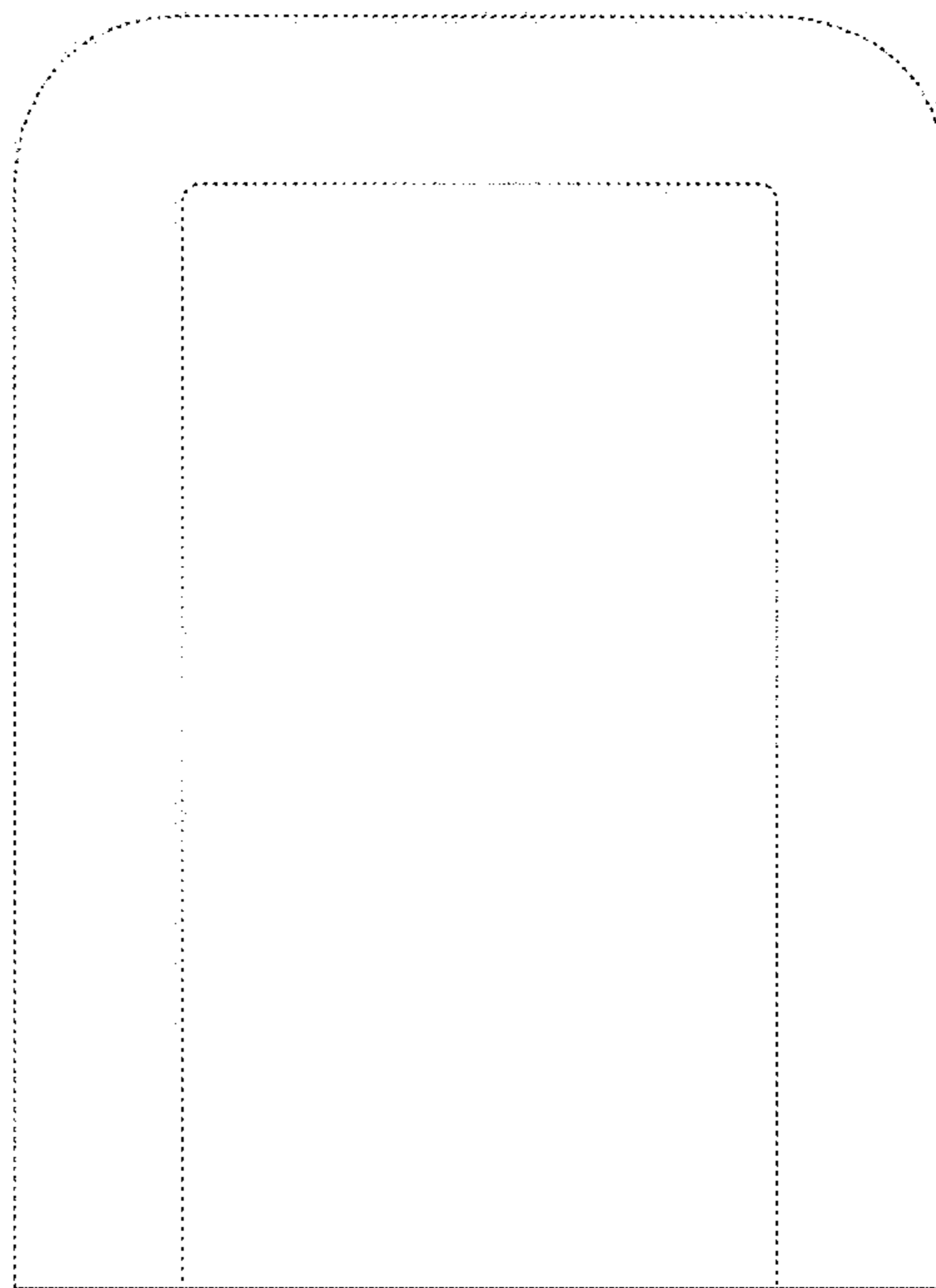


FIG. 7

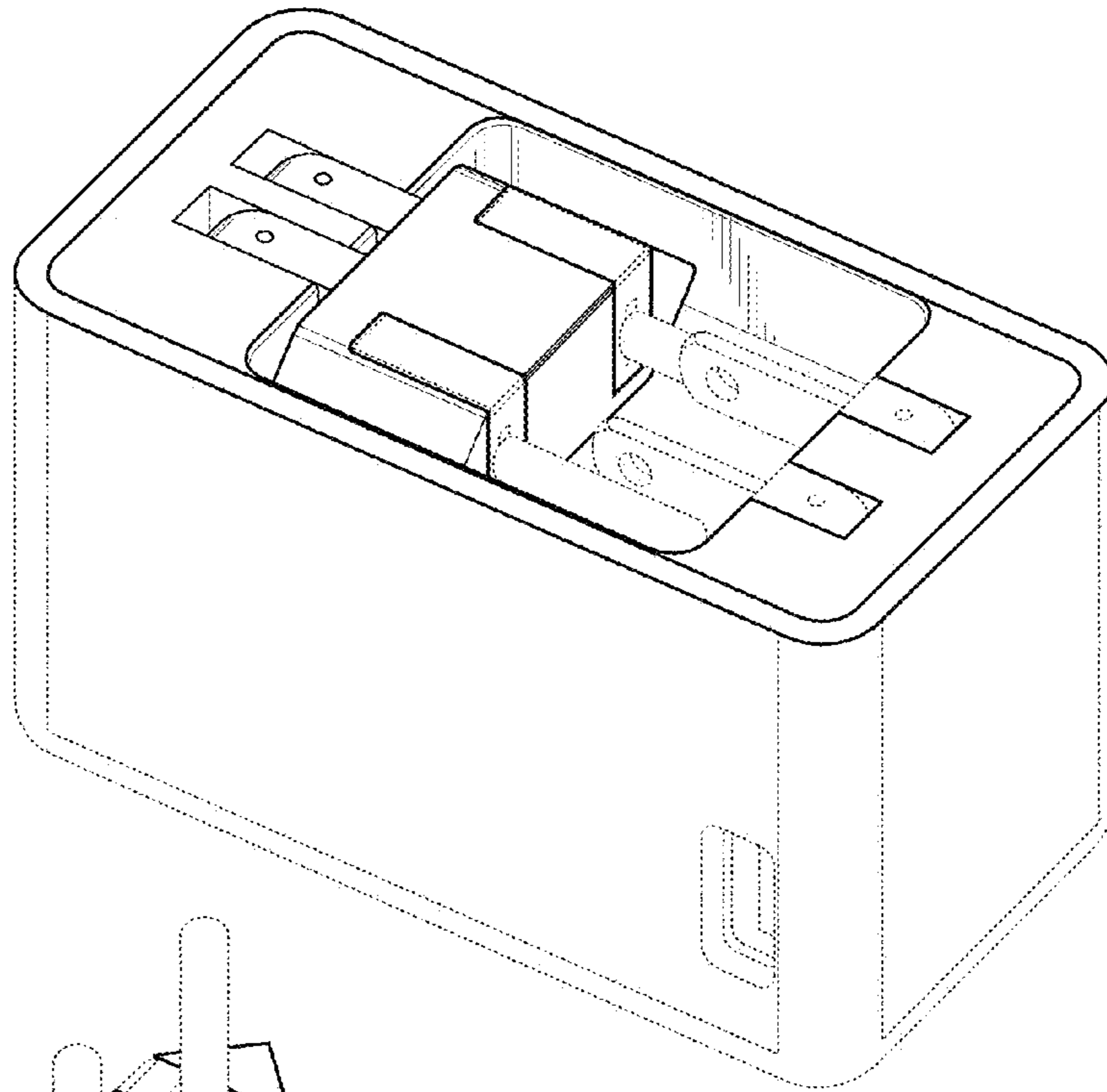


FIG. 8

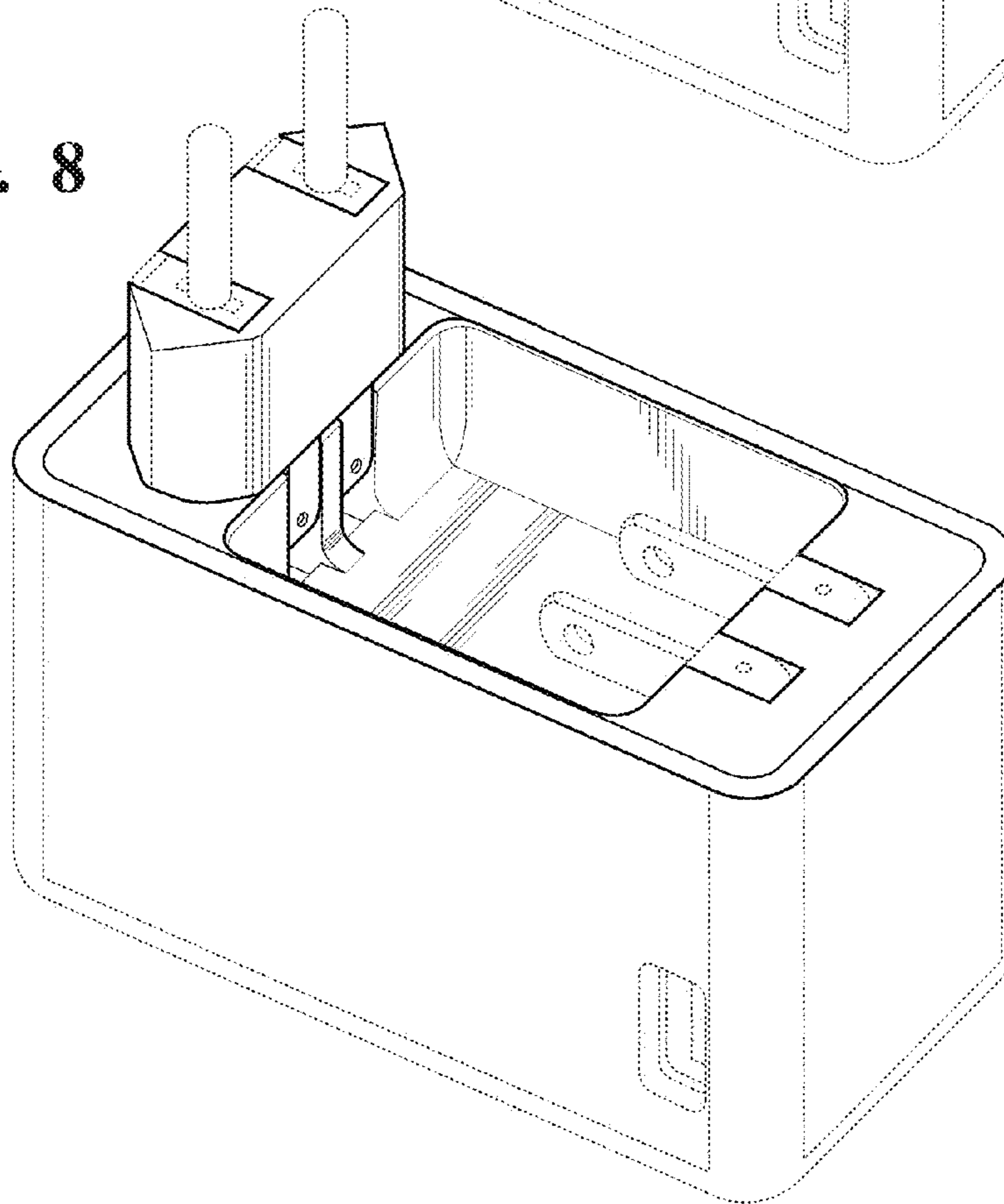


FIG. 9

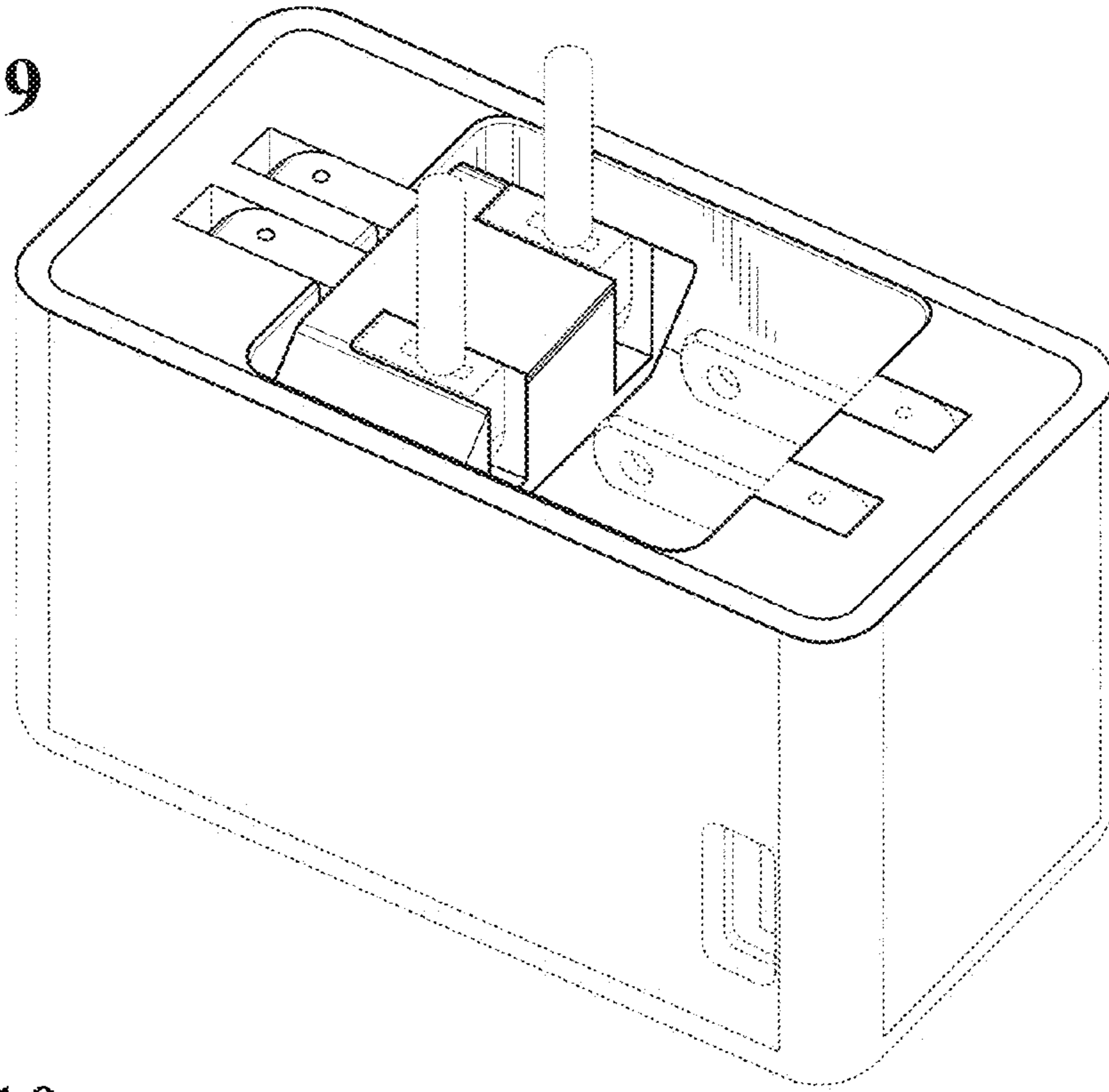
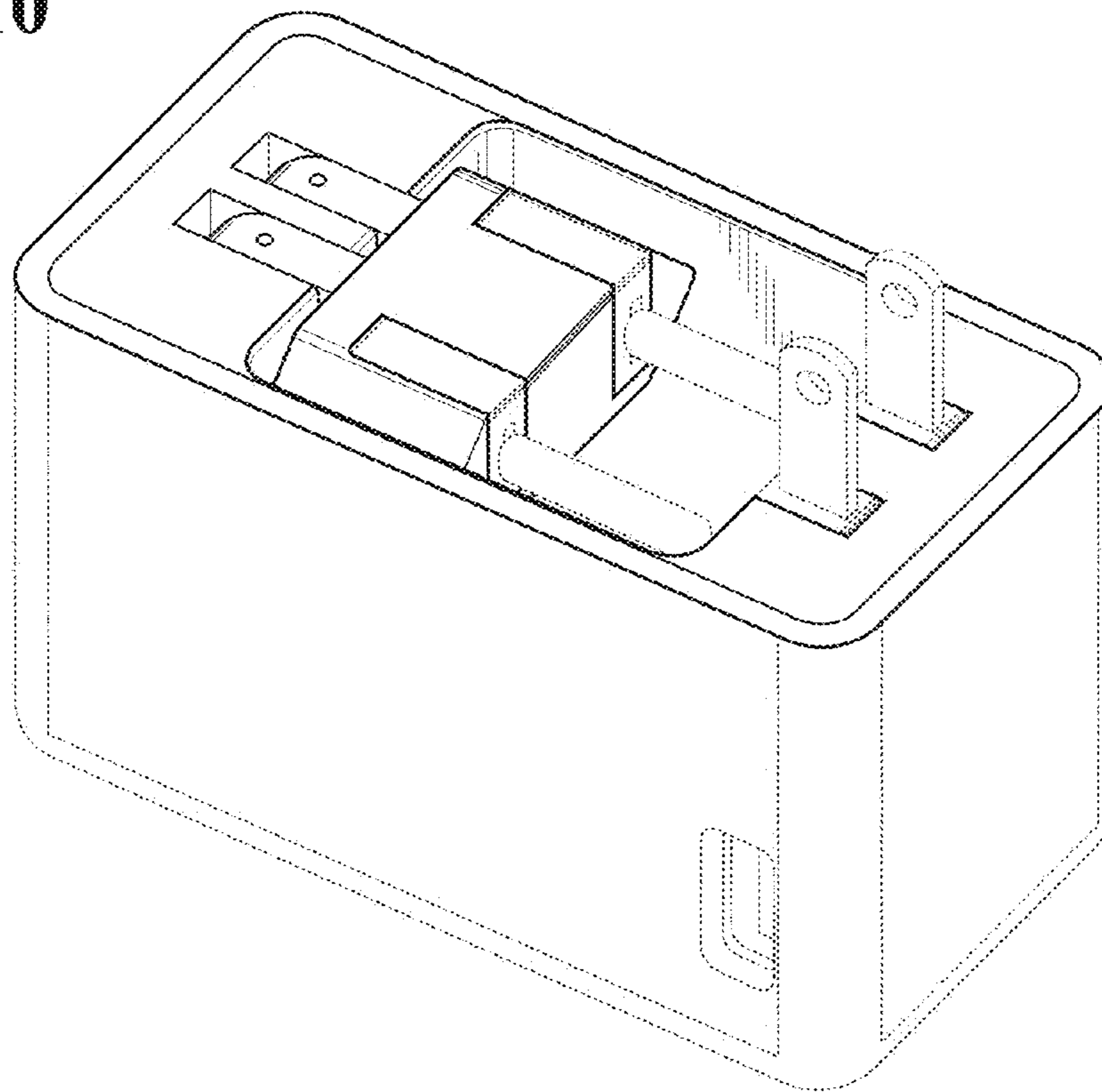


FIG. 10



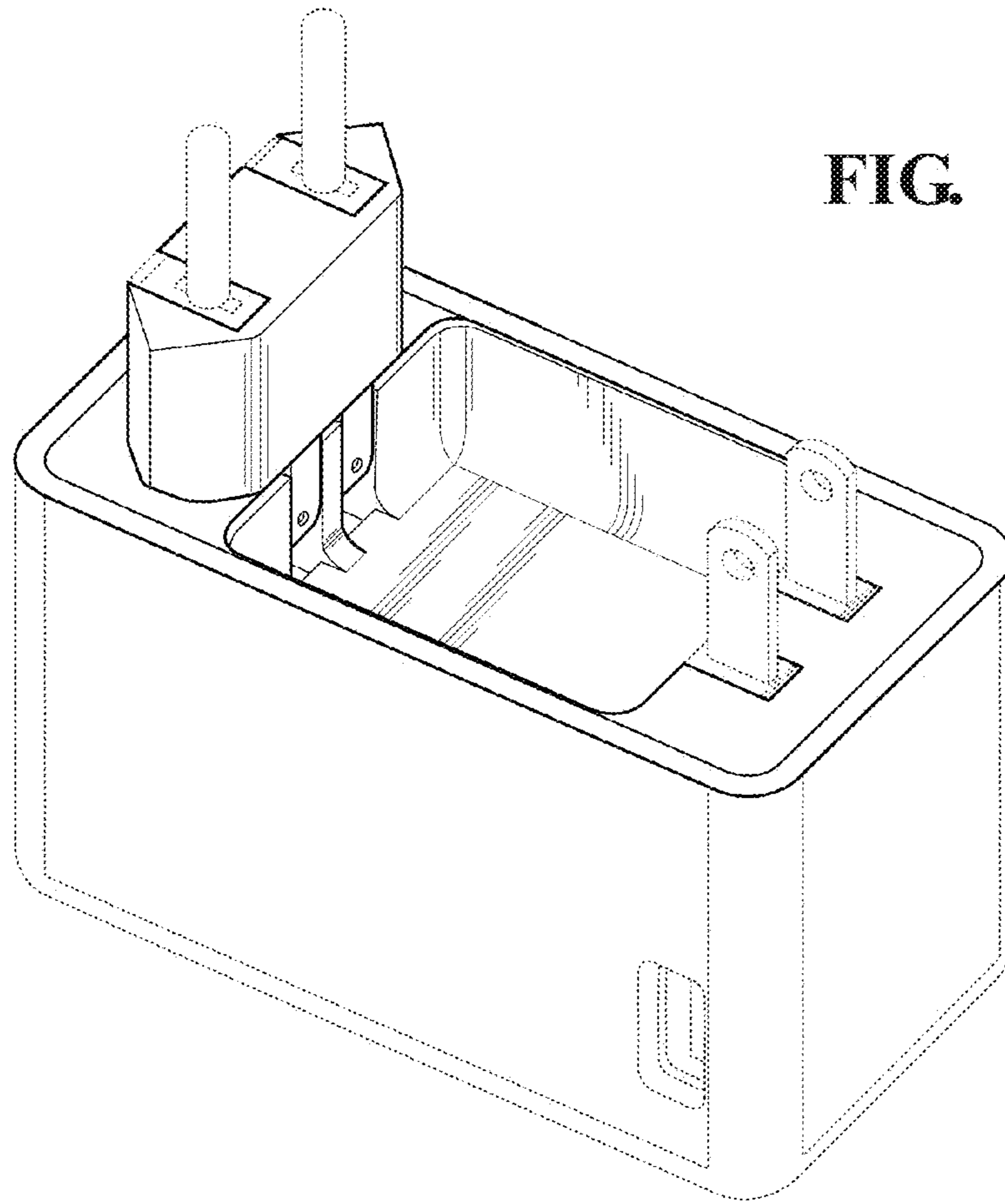


FIG. 11

FIG. 12

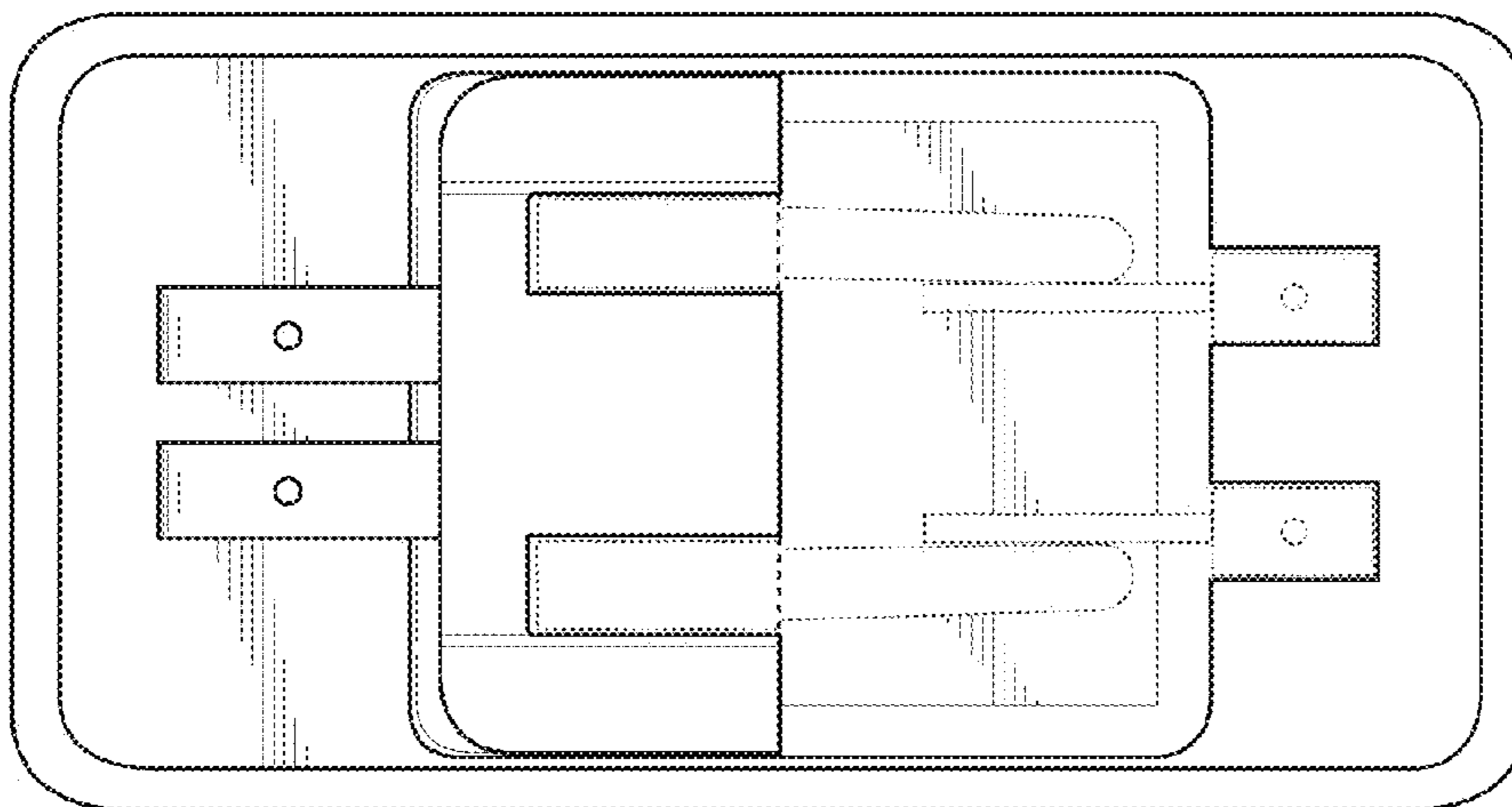


FIG. 13

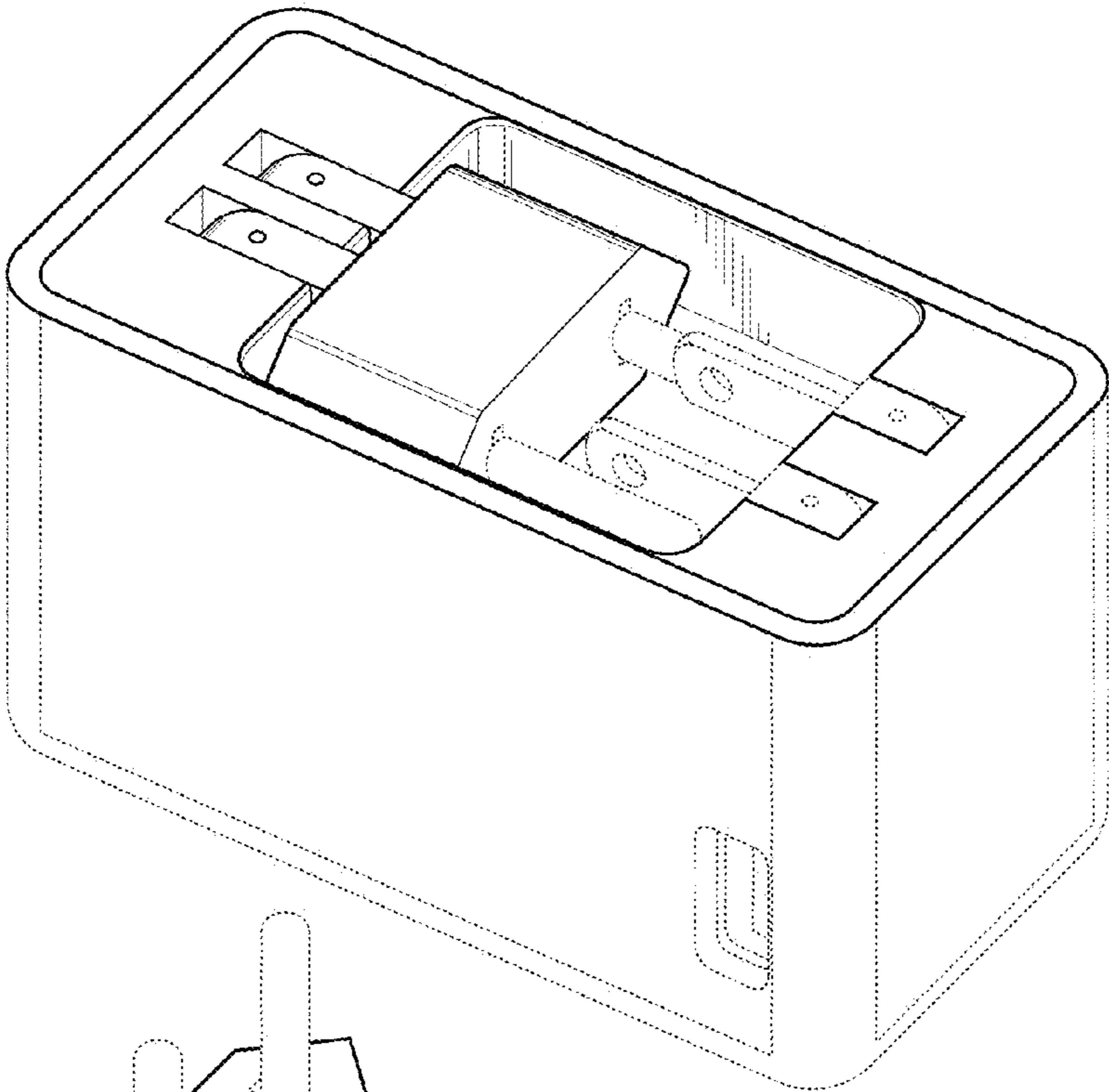
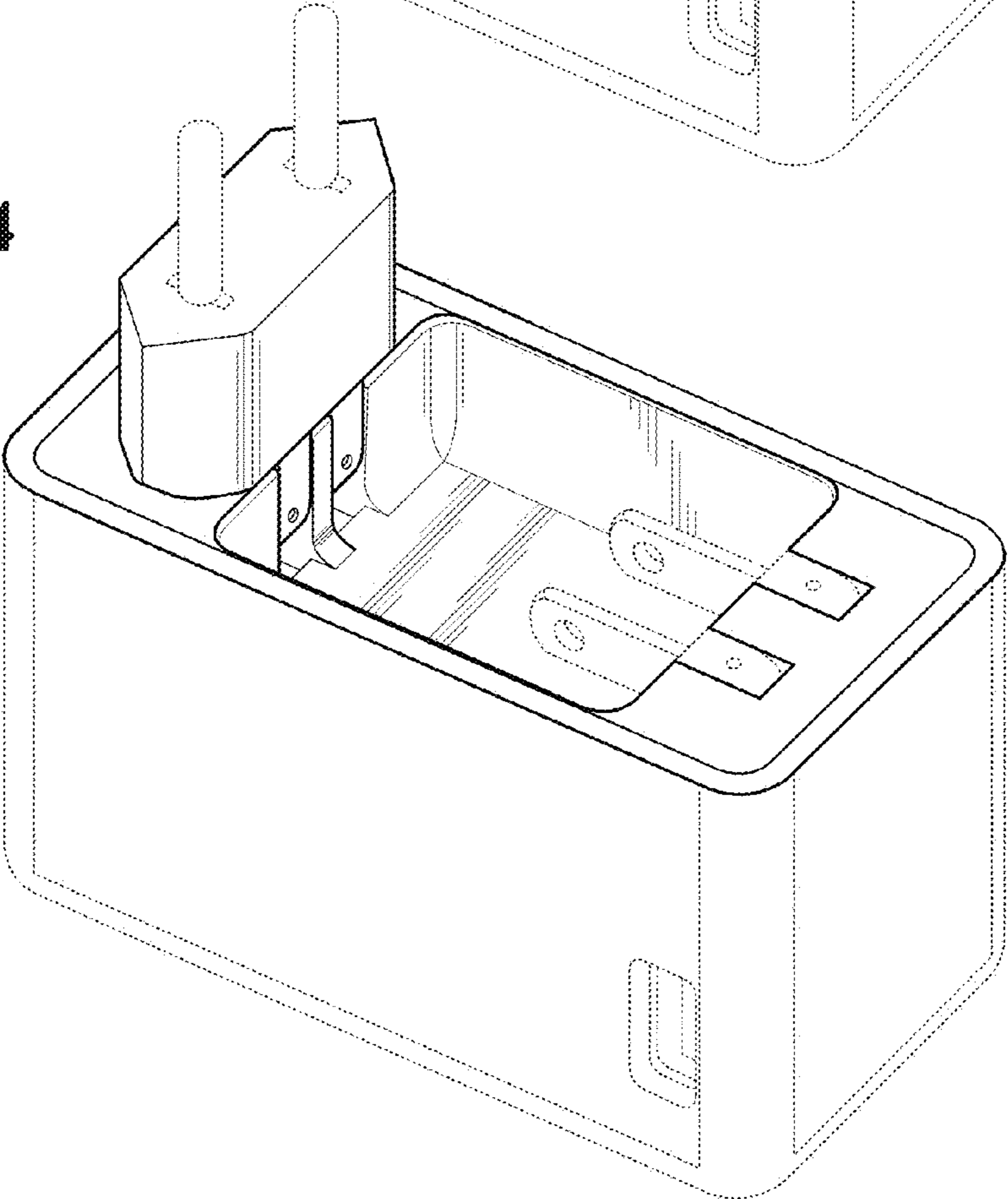


FIG. 14



UNITED STATES PATENT AND TRADEMARK OFFICE
CERTIFICATE OF CORRECTION

PATENT NO. : D721,328 S
APPLICATION NO. : 29/449732
DATED : January 20, 2015
INVENTOR(S) : Freeman et al.

Page 1 of 4

It is certified that error appears in the above-identified patent and that said Letters Patent is hereby corrected as shown below:

In the Drawings

Delete drawings sheets consisting of figures 3, 4, 5, 6, and 13 and substitute therefor the drawing sheets, consisting of figures 3, 4, 5, 6, and 13 as shown on the attached page.

Signed and Sealed this
Sixteenth Day of June, 2015



Michelle K. Lee
Director of the United States Patent and Trademark Office

FIG. 3

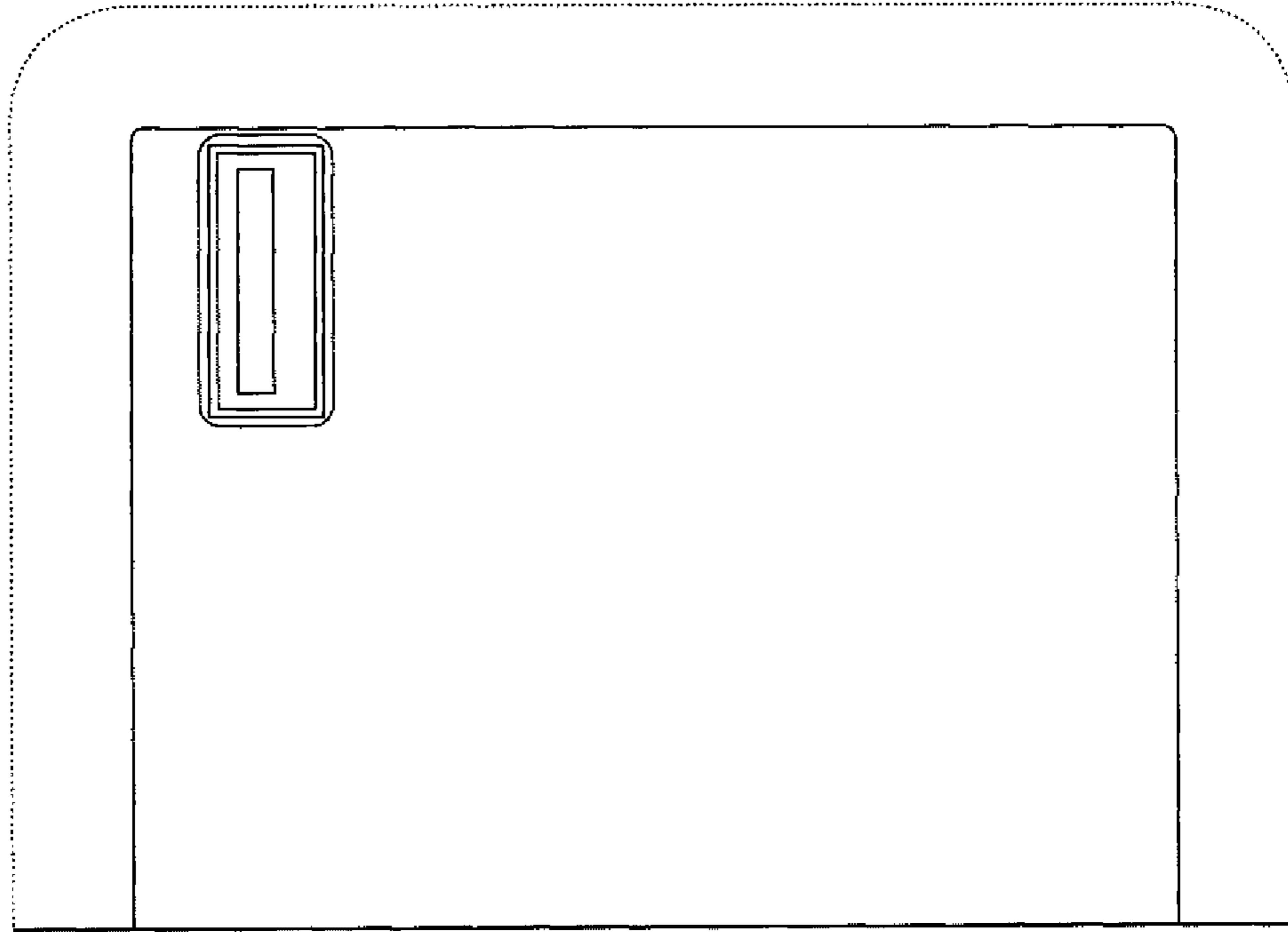


FIG. 4

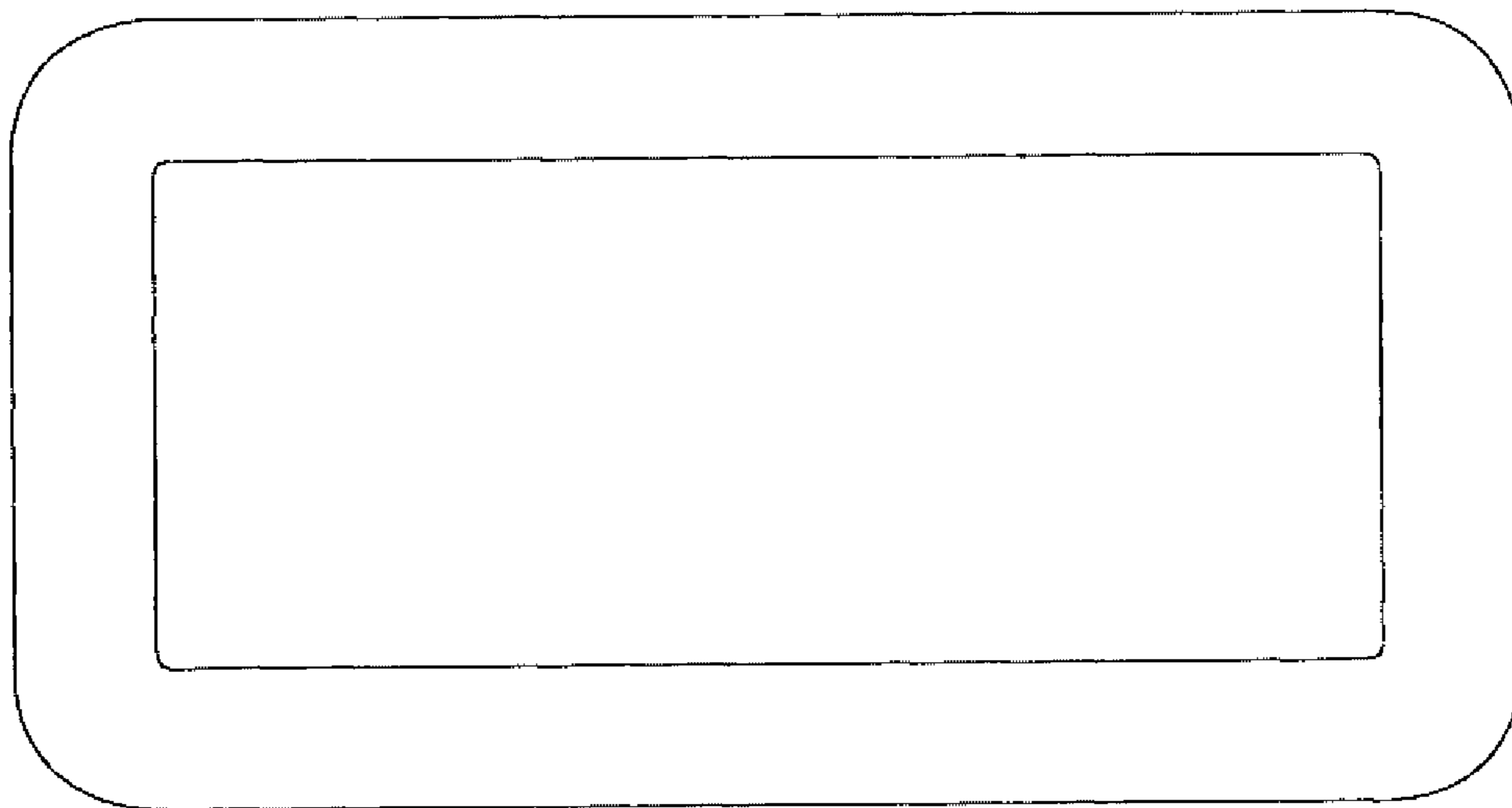


FIG. 5

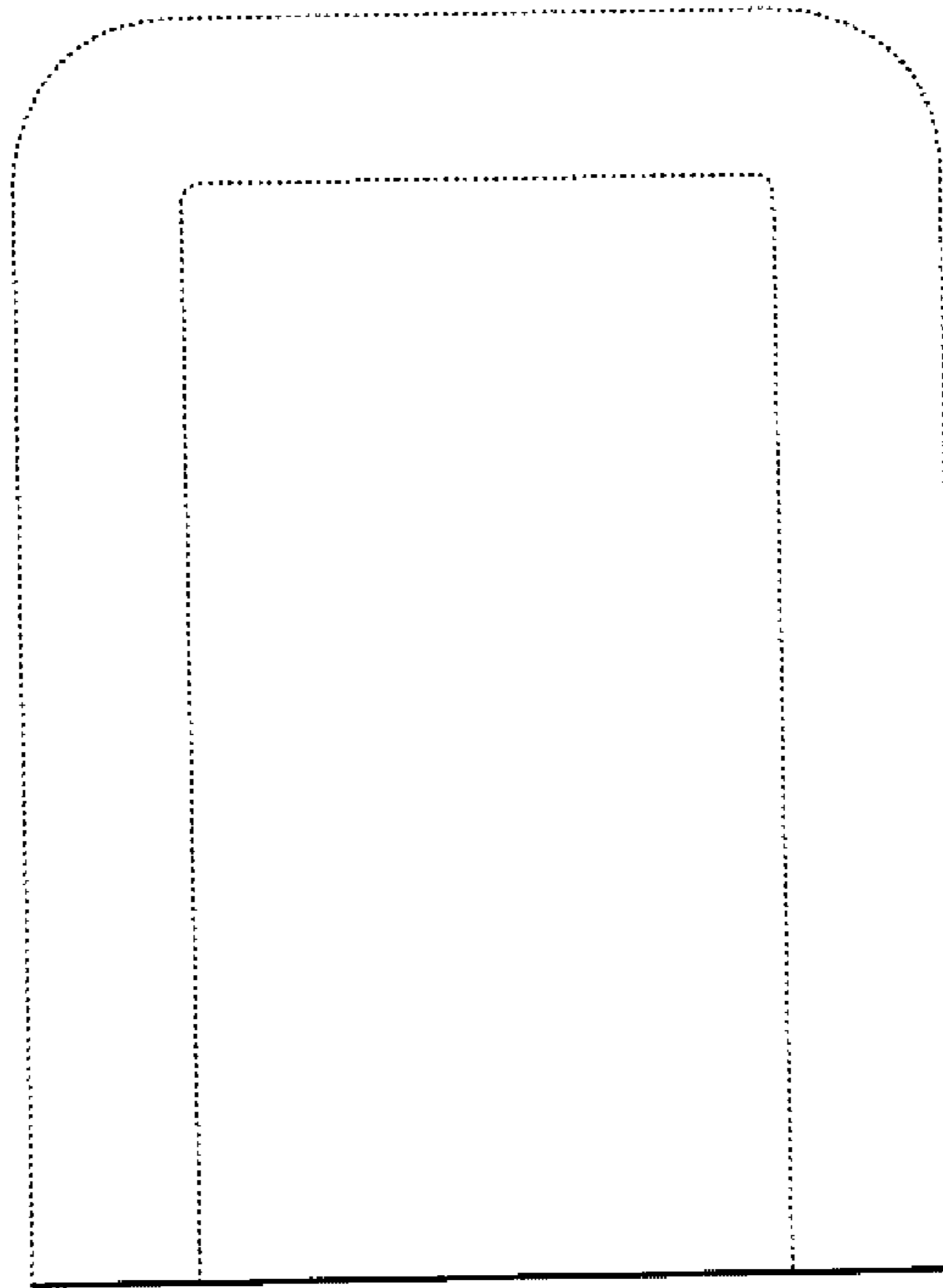


FIG. 6

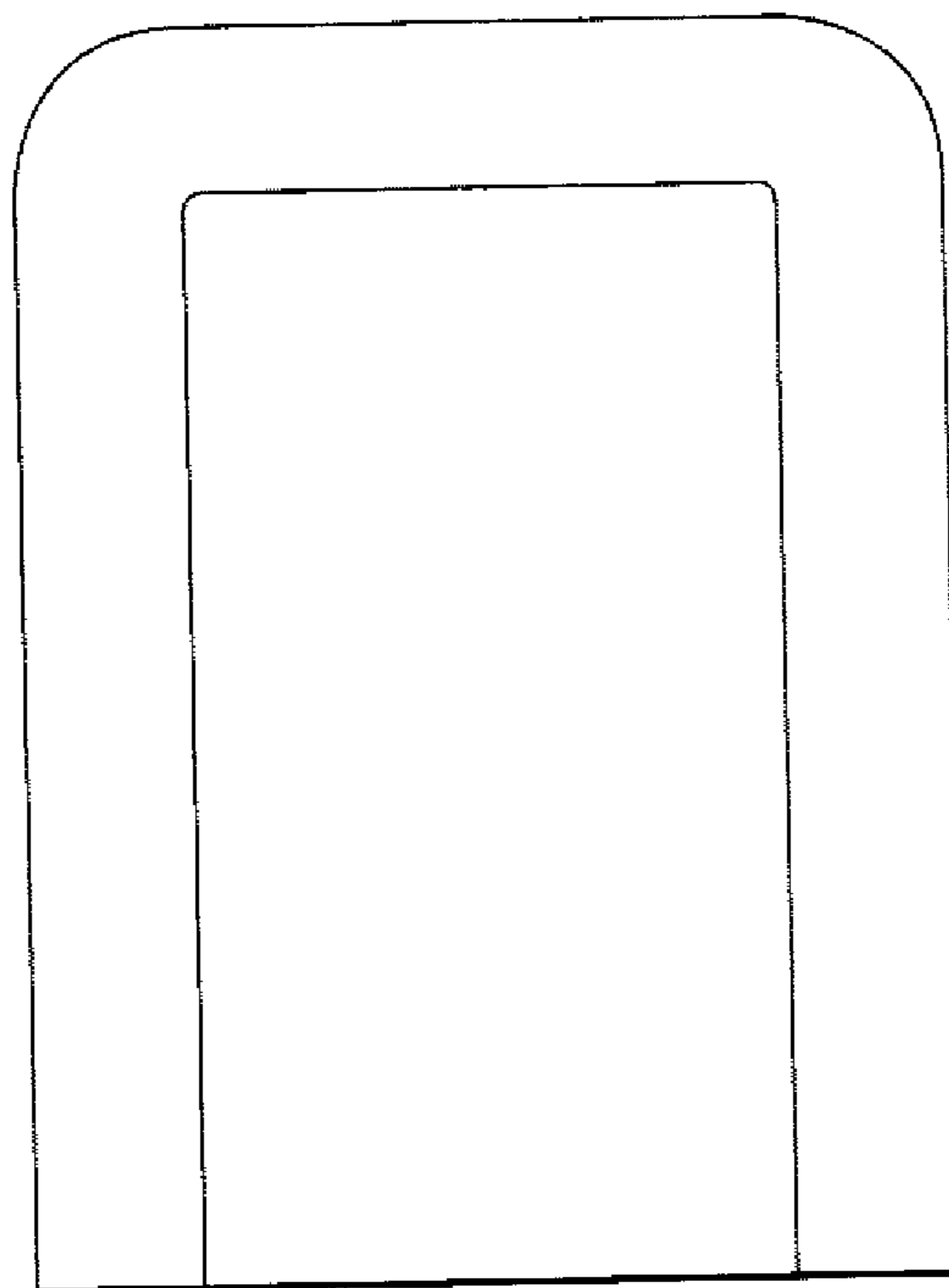


FIG. 13

