



US00D721327S

(12) **United States Design Patent**
Kim

(10) **Patent No.:** **US D721,327 S**
(45) **Date of Patent:** **** Jan. 20, 2015**

(54) **CHARGER FOR REMOTE CONTROL**
(71) Applicant: **LG Electronics Inc.**, Seoul (KR)
(72) Inventor: **Jongchul Kim**, Seoul (KR)
(73) Assignee: **LG Electronics Inc.**, Seoul (KR)

(**) Term: **14 Years**

(21) Appl. No.: **29/478,977**

(22) Filed: **Jan. 10, 2014**

(30) **Foreign Application Priority Data**

Jul. 11, 2013 (KR) 30-2013-0035910

(51) **LOC (10) Cl.** **13-02**

(52) **U.S. Cl.**
USPC **D13/108**

(58) **Field of Classification Search**
USPC D13/107-110, 118-119, 184, 199;
D14/251, 253, 432, 434; 320/107-115,
320/128, 137-140
See application file for complete search history.

(56) **References Cited**

U.S. PATENT DOCUMENTS

D358,801 S * 5/1995 Vos D13/108
D428,597 S * 7/2000 Murata et al. D13/108
D455,397 S * 4/2002 Weiner et al. D13/108
D488,439 S * 4/2004 Orthey D13/107
D514,576 S * 2/2006 Sung et al. D14/434
D578,061 S * 10/2008 Kristensen D13/110

D583,315 S * 12/2008 Kujawski et al. D13/107
D608,350 S * 1/2010 Bo D14/217
D613,684 S * 4/2010 Nishizawa D13/108
D624,919 S * 10/2010 Bull D14/434
D655,293 S * 3/2012 Gioscia et al. D14/434
D688,623 S * 8/2013 Carreon et al. D13/107
D691,947 S * 10/2013 Cole et al. D13/108

* cited by examiner

Primary Examiner — Rosemary K Tarcza

(74) *Attorney, Agent, or Firm* — Morgan, Lewis & Bockius LLP

(57) **CLAIM**

The ornamental design for a charger for remote control, as shown and described.

DESCRIPTION

FIG. 1 is a front, right side, perspective view of a charger for remote control showing my new design;
FIG. 2 is a front view thereof;
FIG. 3 is a rear view thereof;
FIG. 4 is a left side view thereof;
FIG. 5 is a right side view thereof;
FIG. 6 is a top view thereof;
FIG. 7 is a bottom view thereof; and,
FIG. 8 is a reference view showing the claimed design portion mounted from unclaimed subject matter for the purpose of illustrating the environment in which the article embodying the design is used.
The broken lines in FIG. 8 are for illustrative purposes only and form no part of the claimed design.

1 Claim, 5 Drawing Sheets

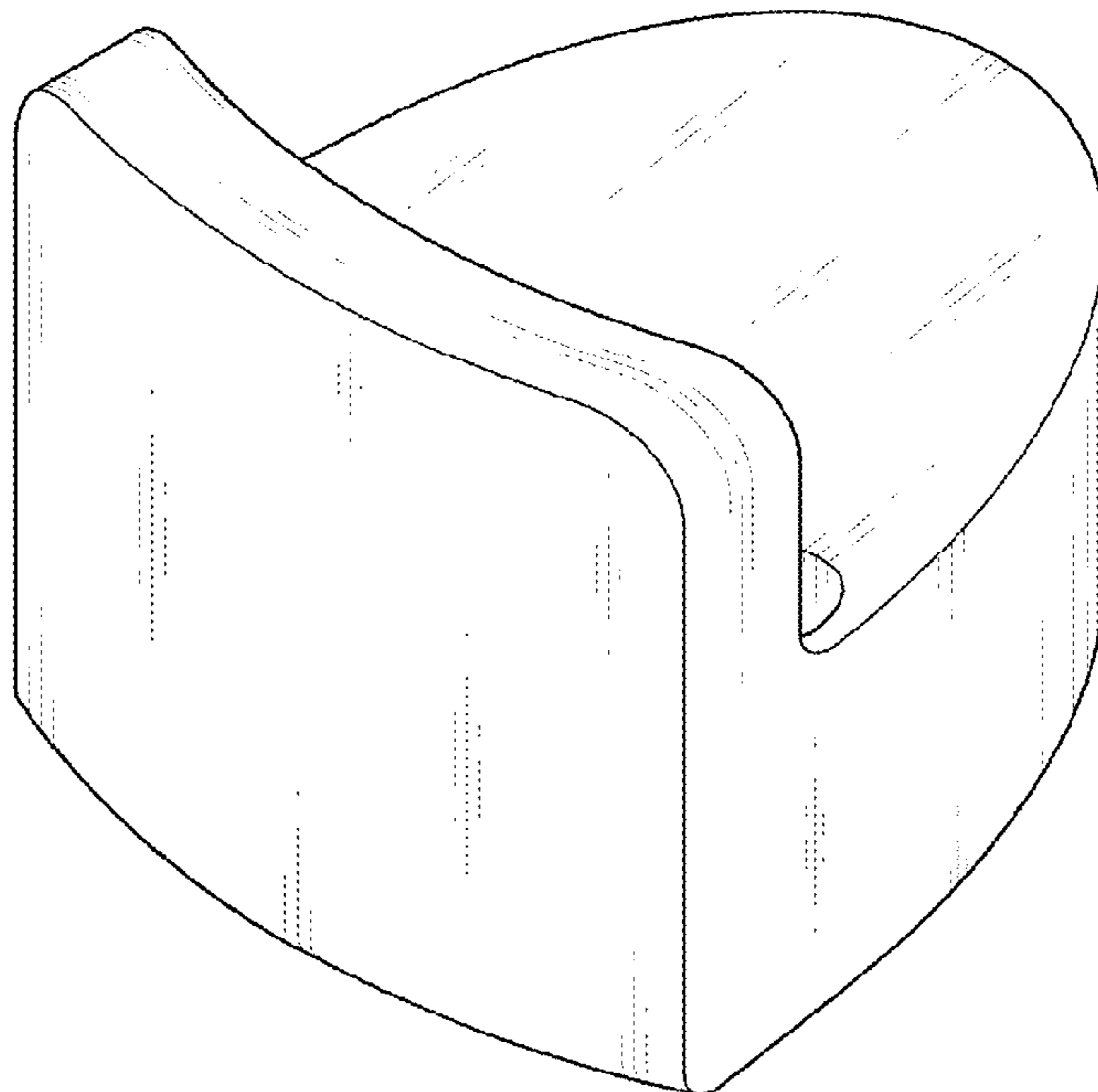


FIG. 1

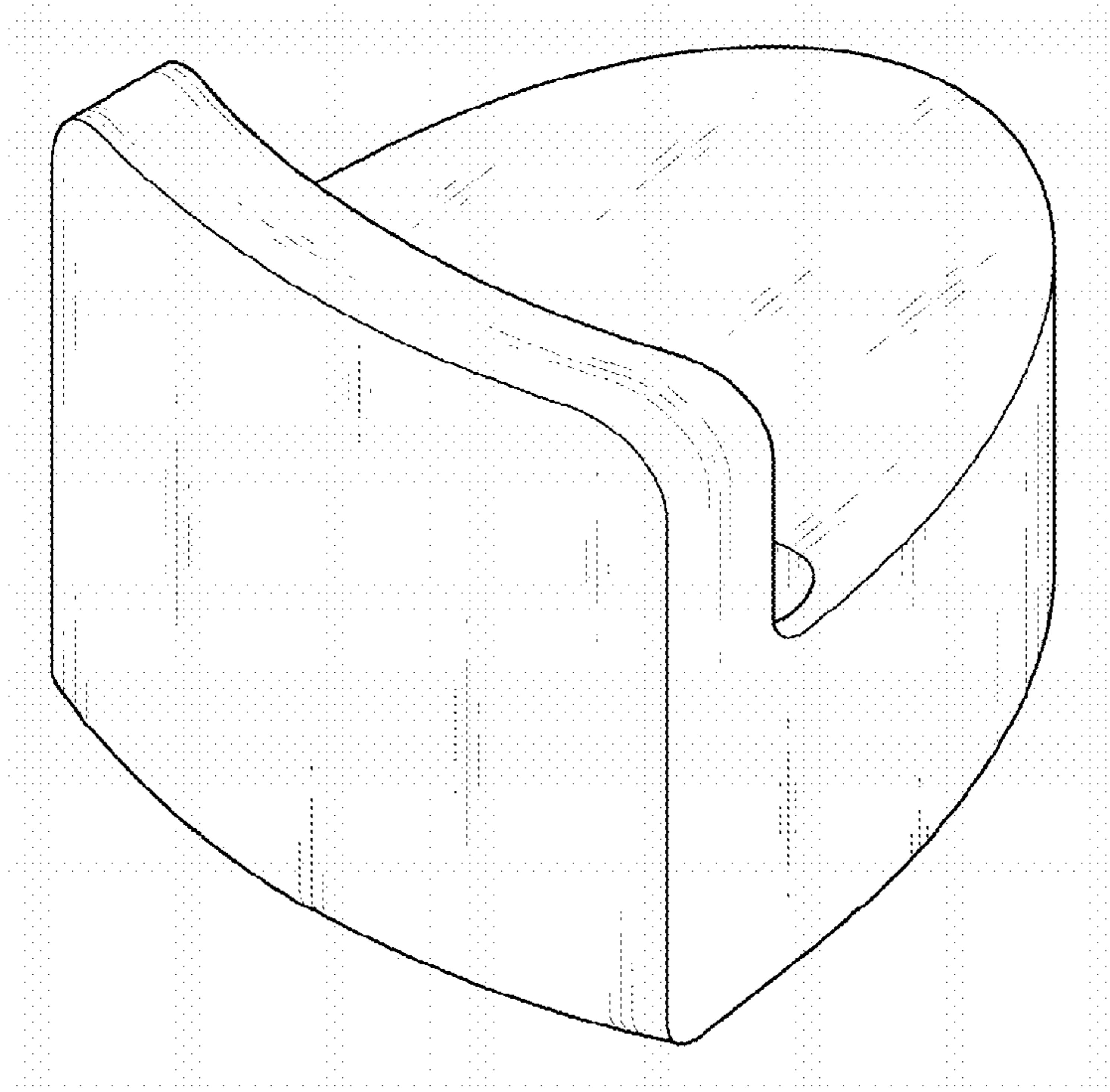


FIG. 2

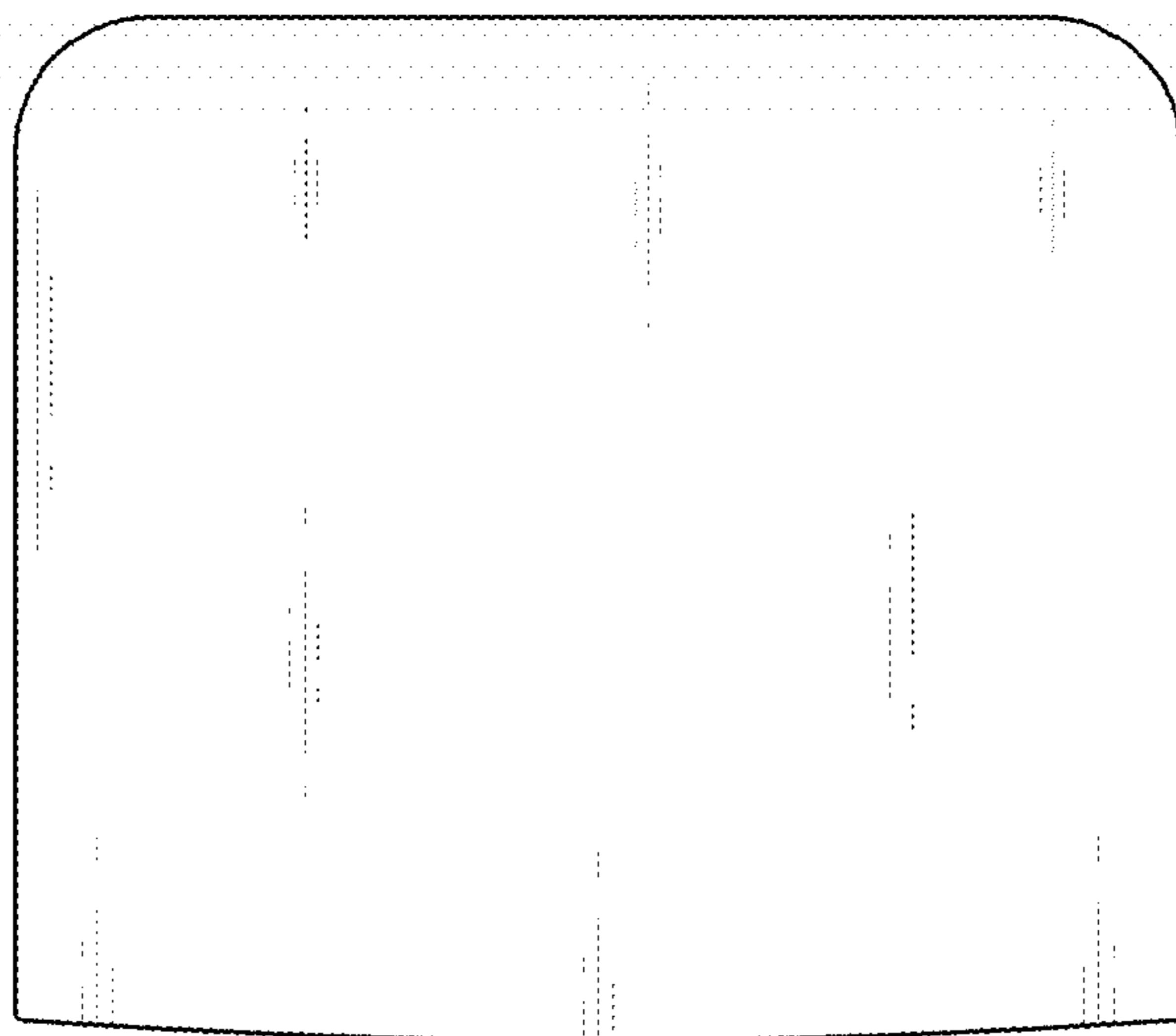


FIG. 3

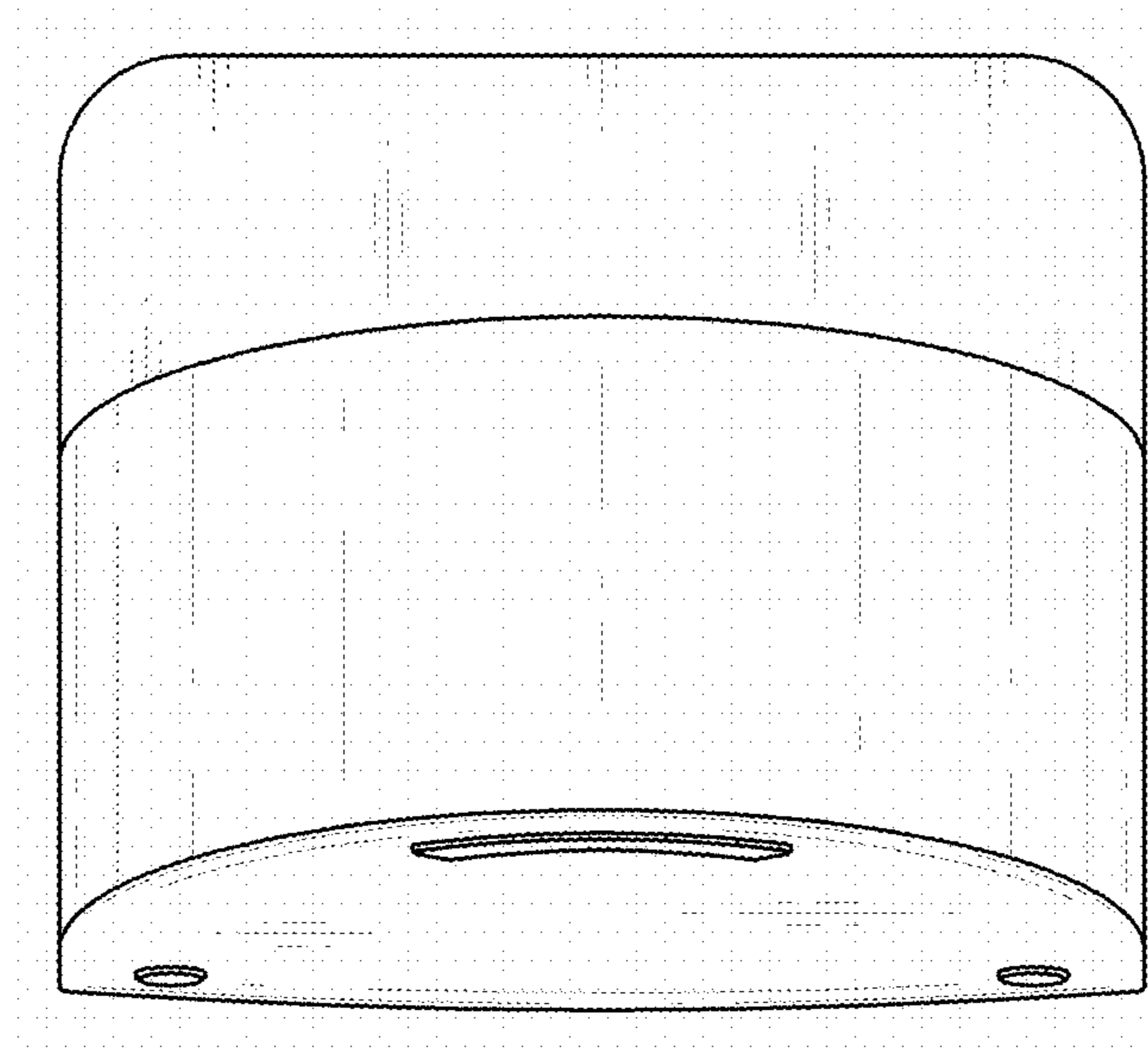


FIG. 4

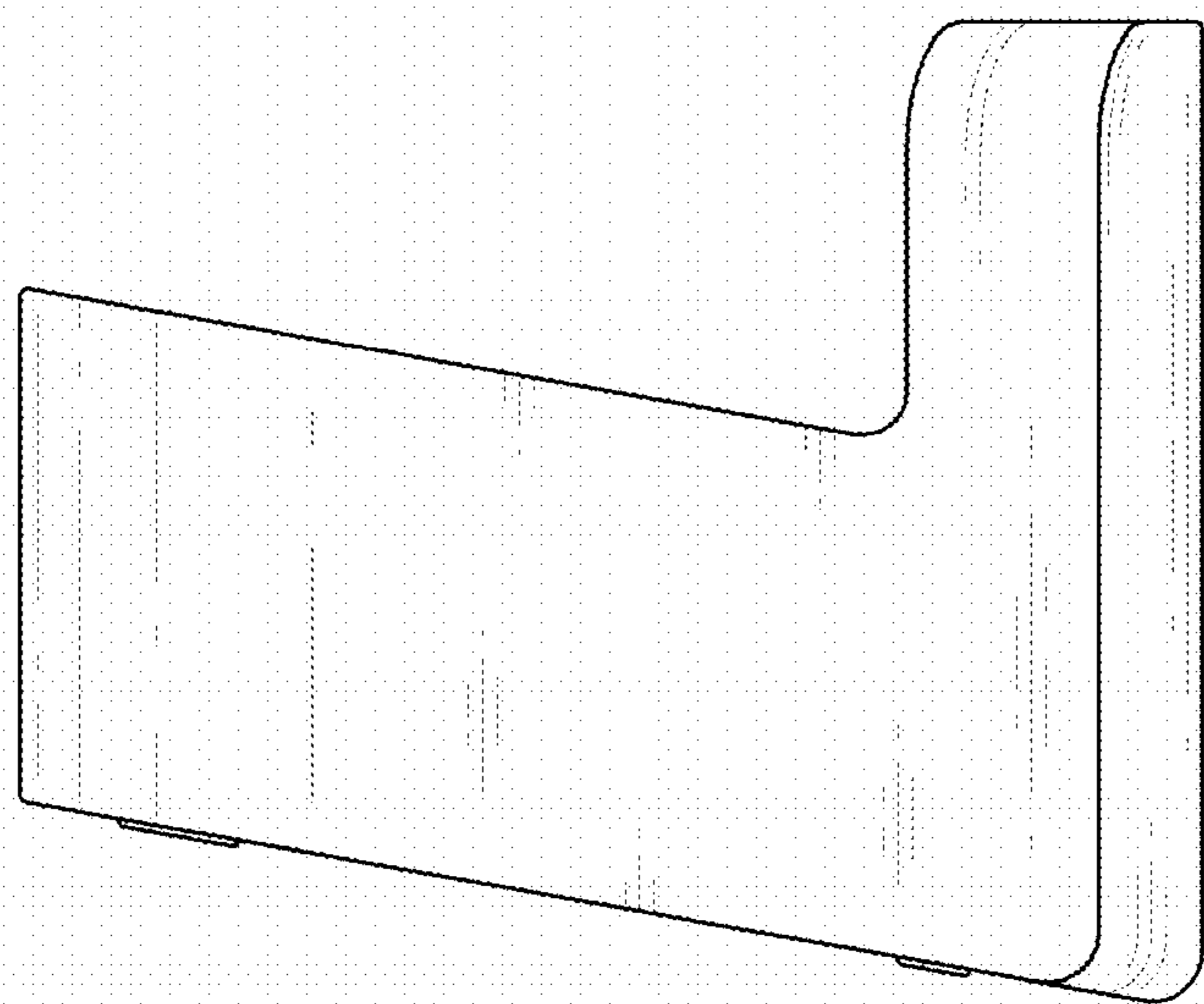


FIG. 5

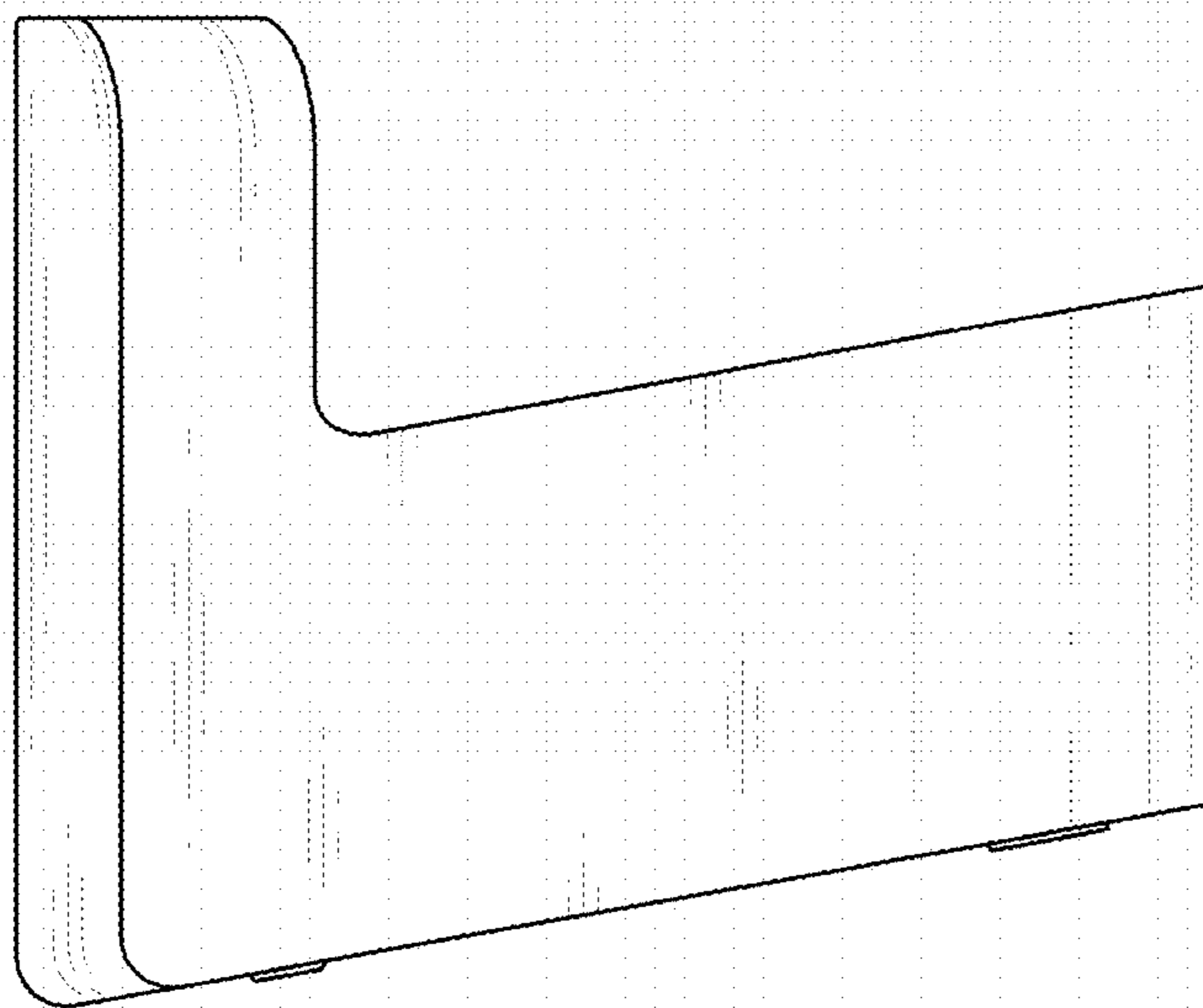


FIG. 6

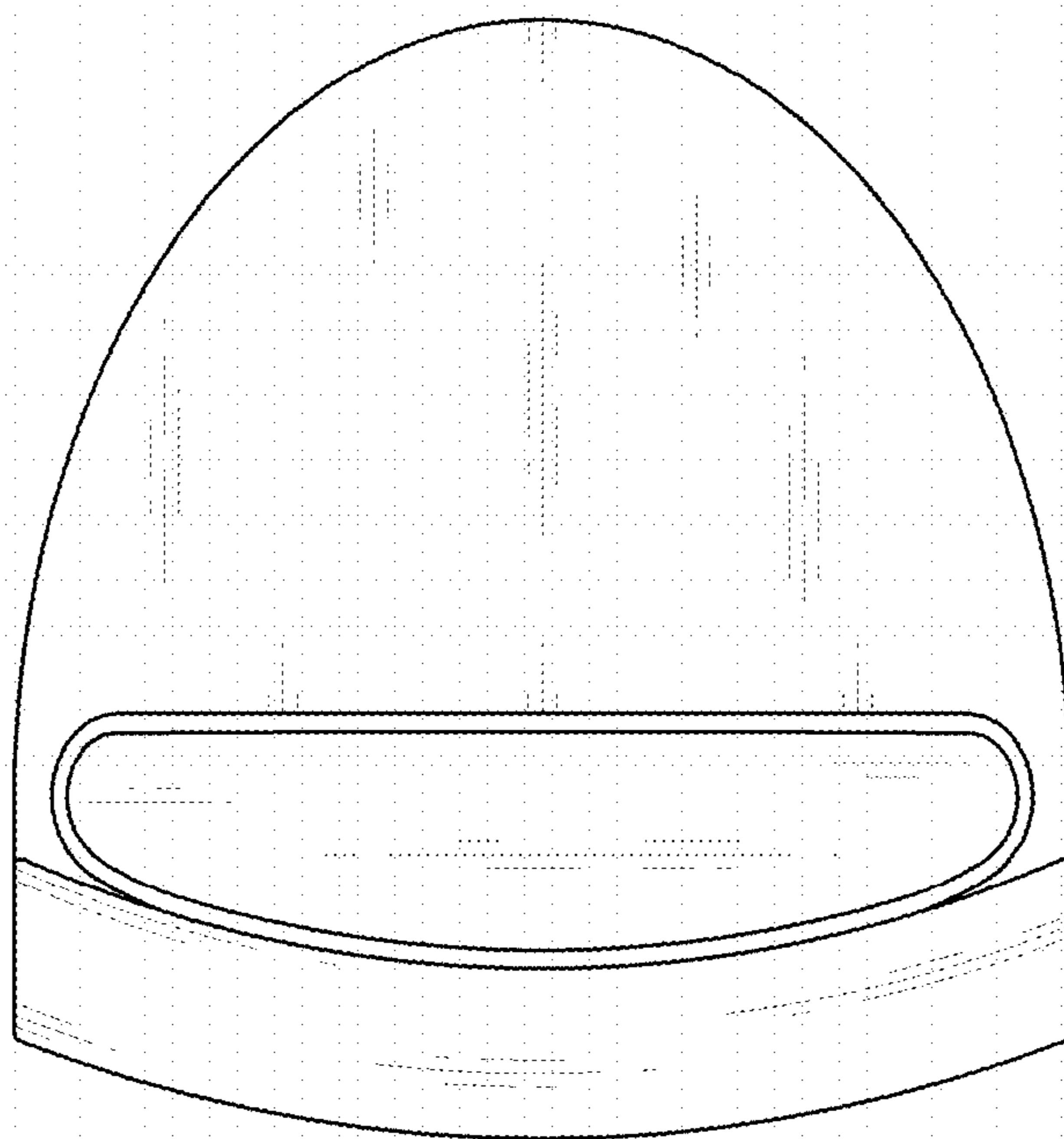


FIG. 7

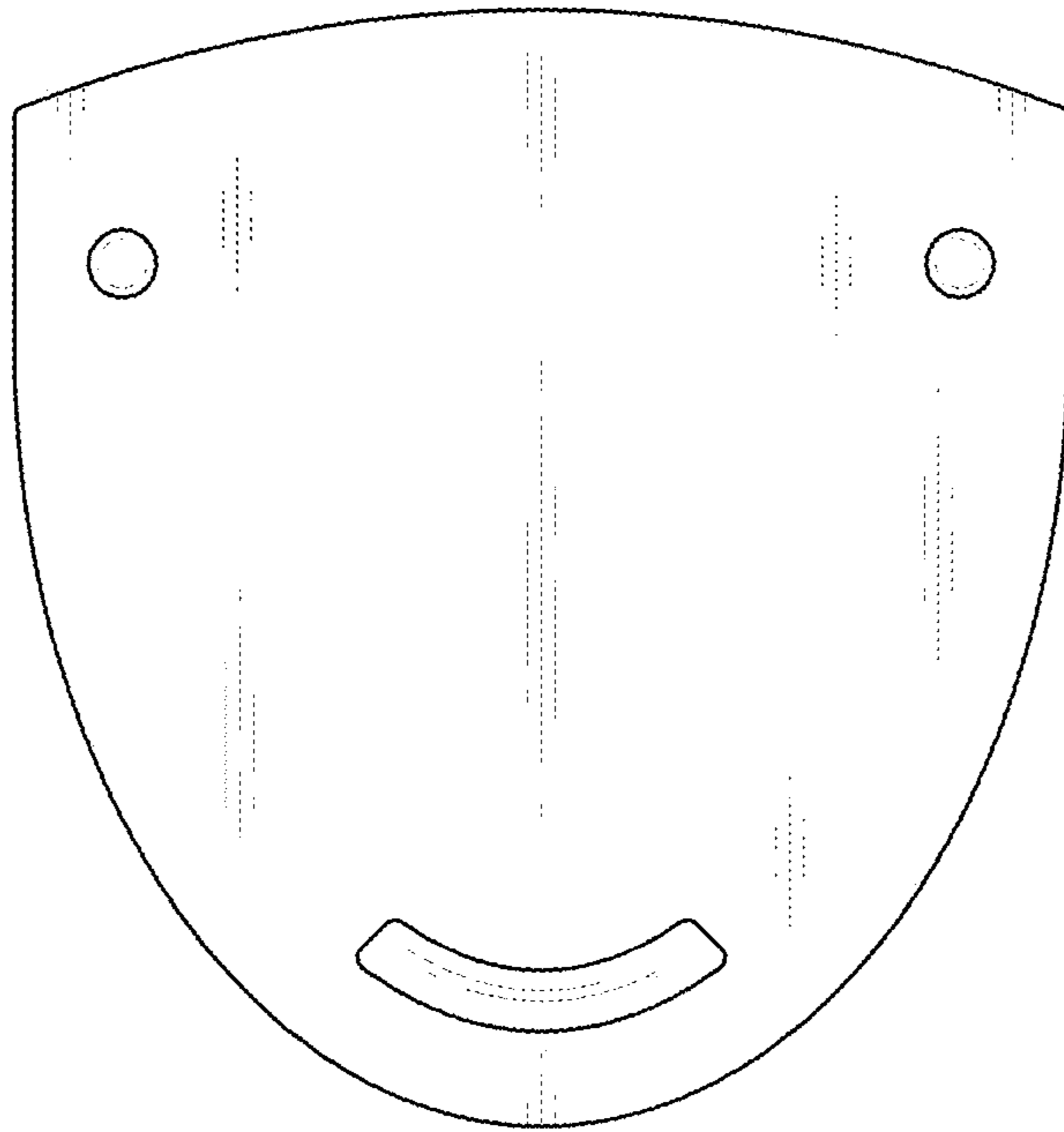


FIG. 8

