



US00D721320S

(12) **United States Design Patent**
Tacon

(10) **Patent No.:** **US D721,320 S**
(45) **Date of Patent:** **** Jan. 20, 2015**

(54) **BUOYANT ELEMENT**
(71) Applicant: **Jonathan Rayner Tacon**, Gauteng (ZA)
(72) Inventor: **Jonathan Rayner Tacon**, Gauteng (ZA)
(**) Term: **14 Years**
(21) Appl. No.: **29/456,006**
(22) Filed: **May 28, 2013**

(30) **Foreign Application Priority Data**
Nov. 28, 2012 (ZA) F2012/02085
(51) **LOC (10) Cl.** **12-06**
(52) **U.S. Cl.**
USPC **D12/316**
(58) **Field of Classification Search**
USPC D12/316, 317; 114/263, 264, 266, 267;
405/27, 218, 219
See application file for complete search history.

(56) **References Cited**
U.S. PATENT DOCUMENTS
1,900,319 A 3/1933 Vermeulen
3,522,618 A 8/1970 Stranzinger
4,655,156 A 4/1987 Svirkllys
4,768,456 A * 9/1988 Jones et al. 114/266
4,993,350 A * 2/1991 Pepper 114/292
5,355,825 A * 10/1994 Lefebvre et al. 114/267
D366,023 S * 1/1996 LeCat D12/316

5,799,916 A * 9/1998 Lechner 114/267
5,803,007 A 9/1998 Stevens
5,947,049 A * 9/1999 Elson 114/263
6,089,176 A * 7/2000 Costello 114/267
6,179,525 B1 * 1/2001 Gruhn et al. 114/263
D589,429 S * 3/2009 Harrison D12/316
D649,924 S * 12/2011 Tureaud D12/317
D651,155 S * 12/2011 Almestad D12/317
2007/0245942 A1 * 10/2007 Sestito et al. 114/266

FOREIGN PATENT DOCUMENTS

DE 102007043021 3/2009
FR 2680749 3/1993

* cited by examiner

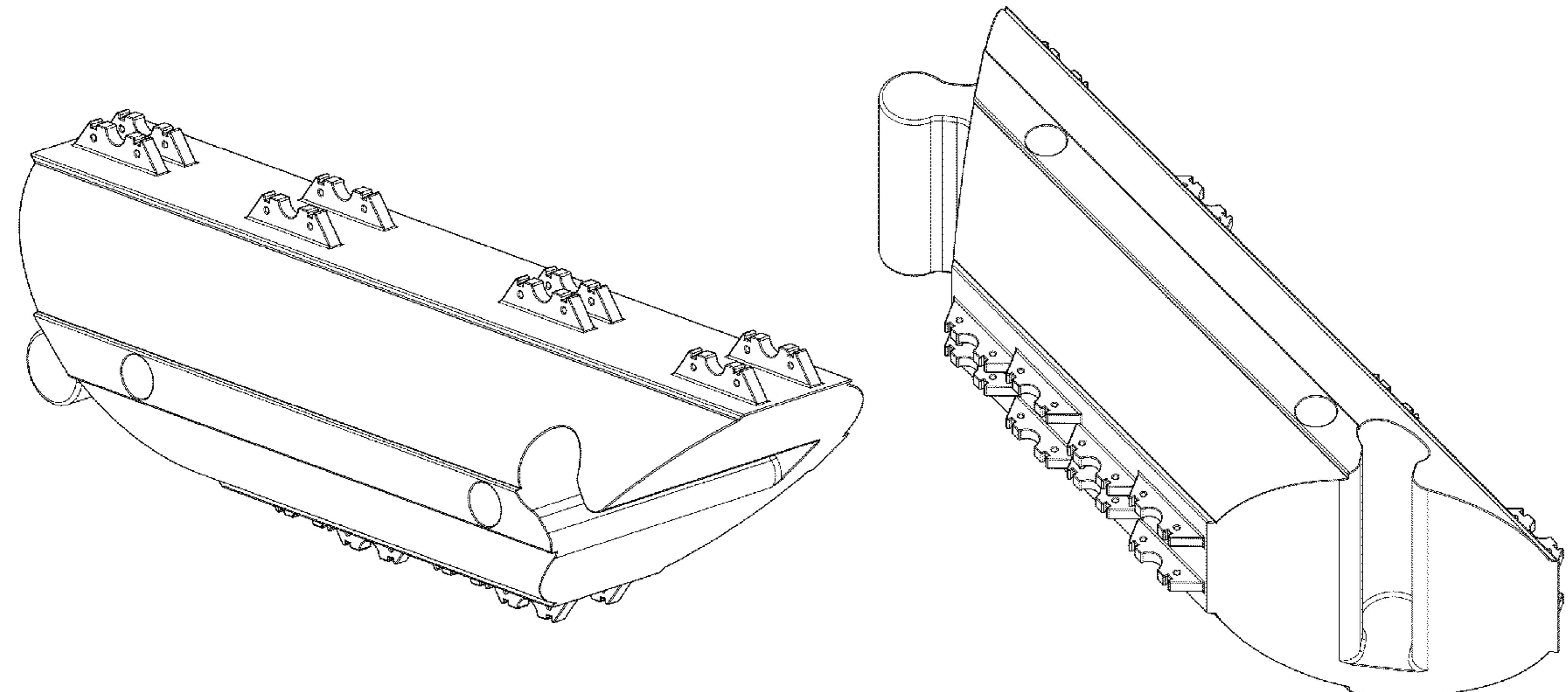
Primary Examiner — Cynthia M Chin
(74) *Attorney, Agent, or Firm* — Haugen Law Firm PLLP

(57) **CLAIM**
The ornamental design for a buoyant element, as shown and described.

DESCRIPTION

FIG. 1 is a top perspective view of the design;
FIG. 2 is a bottom perspective view of the design;
FIG. 3 is front elevational view of the design;
FIG. 4 is a rear elevational view of the design;
FIG. 5 is a left side elevational view of the design;
FIG. 6 is a right side elevational view of the design;
FIG. 7 is a top plan view of the design; and,
FIG. 8 is a bottom plan view of the design.

1 Claim, 4 Drawing Sheets



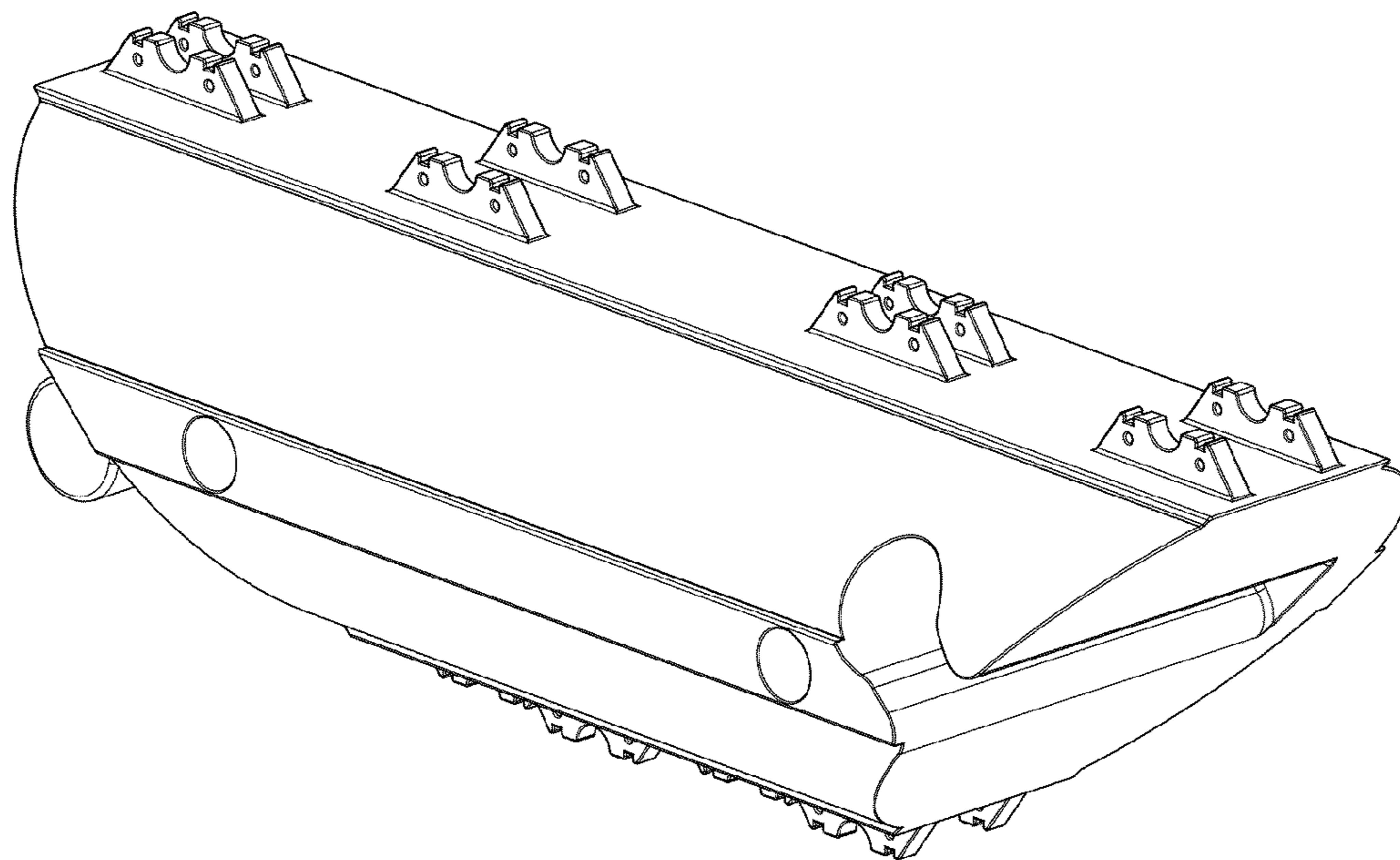


Figure 1

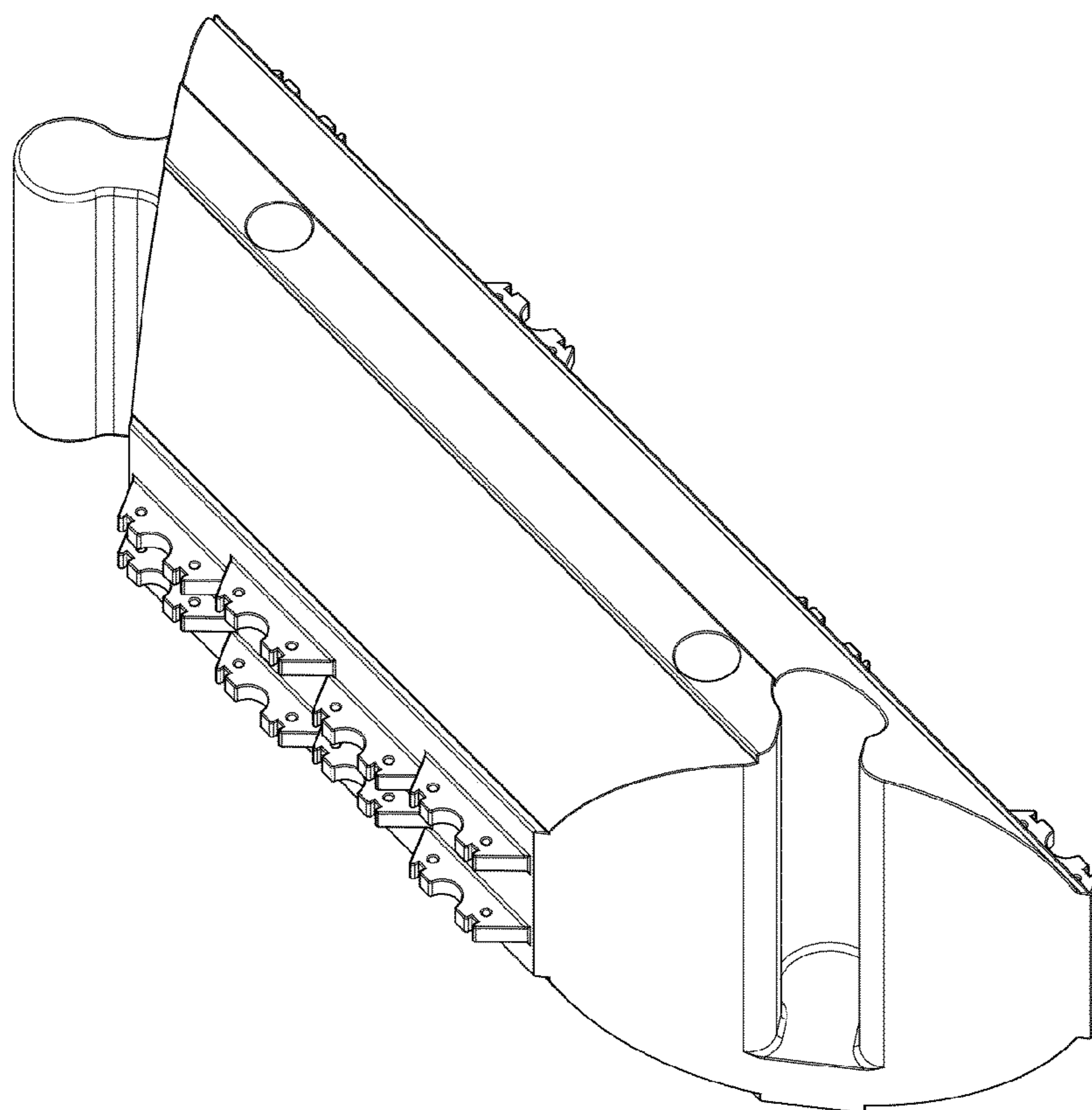


Figure 2

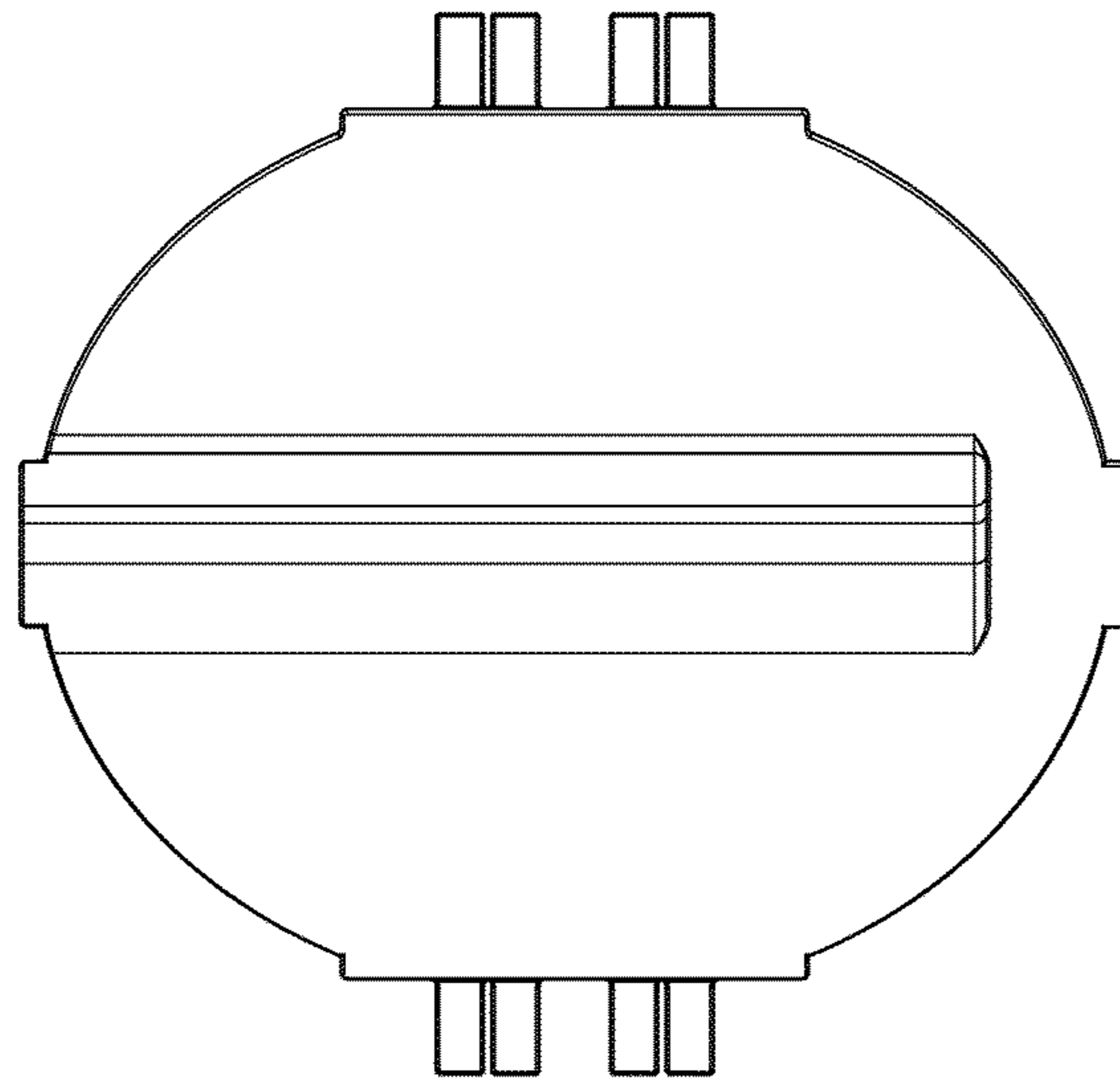


Figure 3

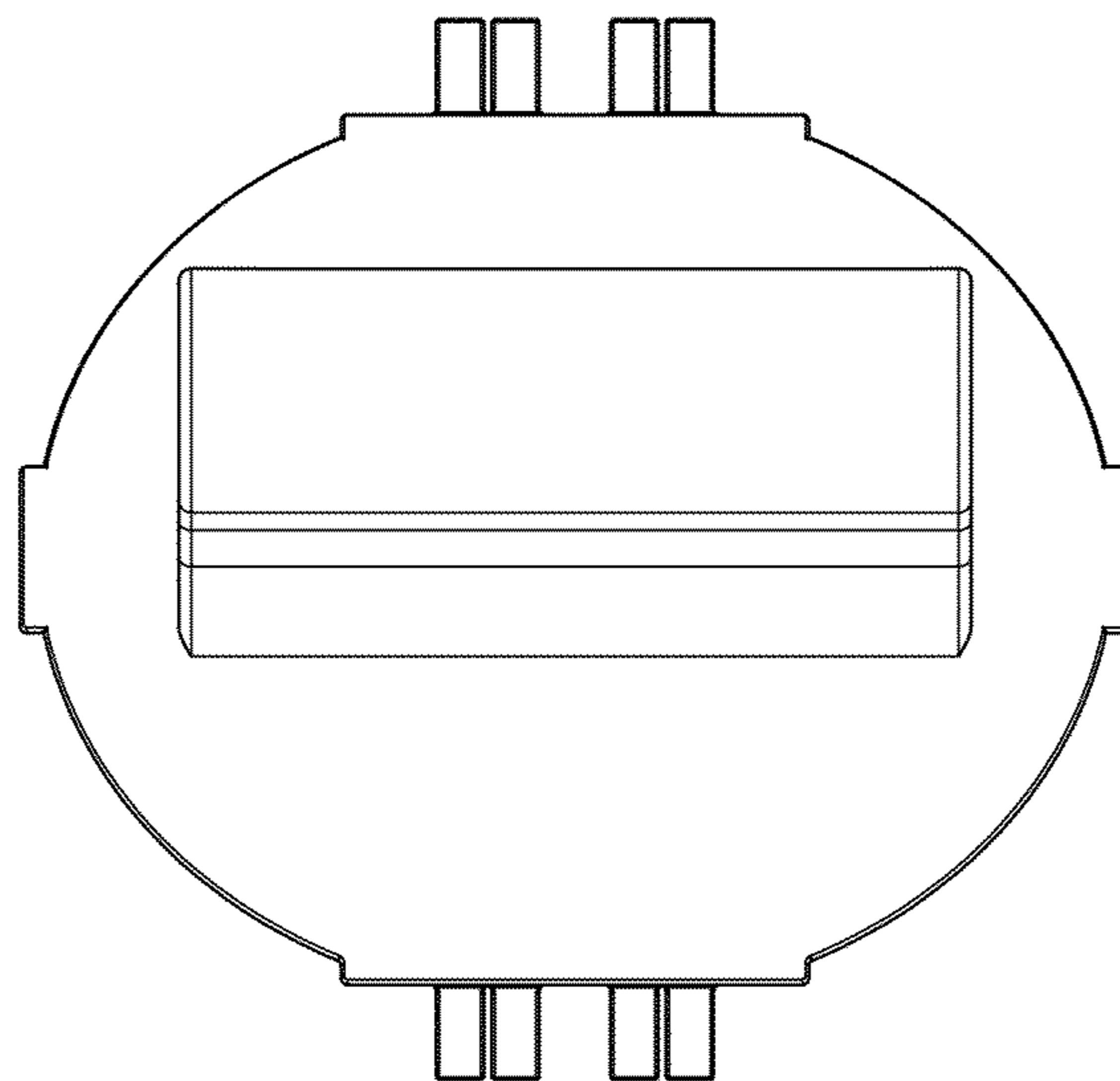


Figure 4

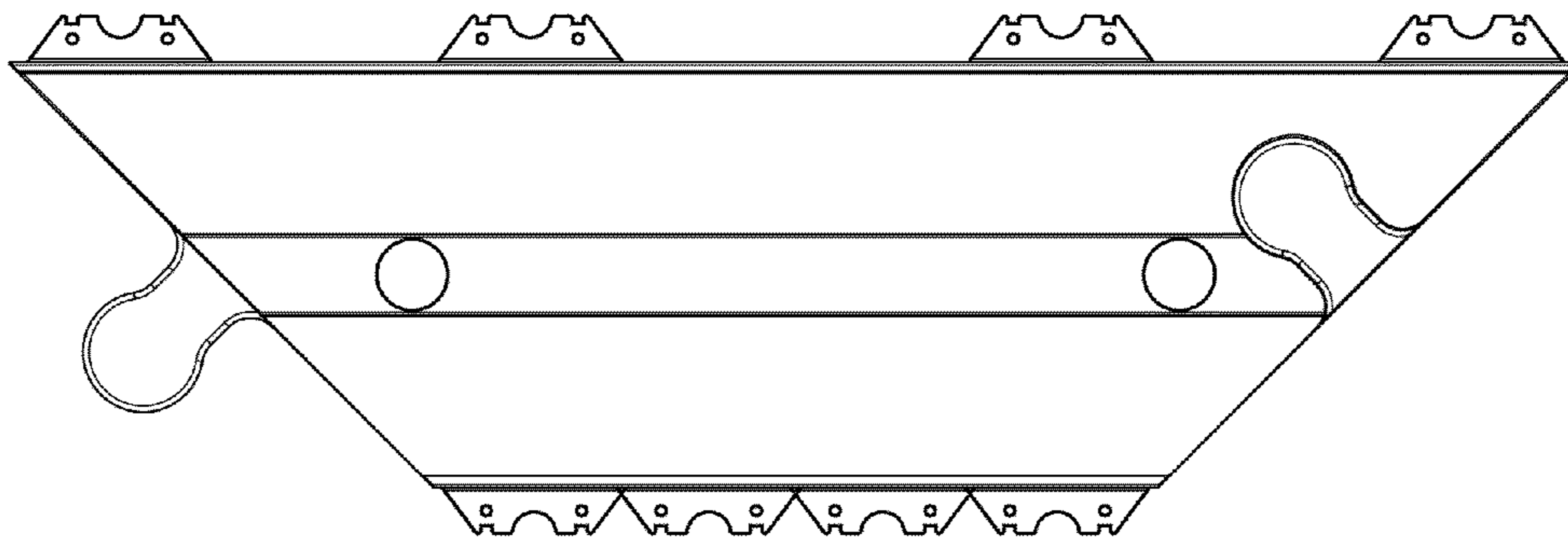


Figure 5

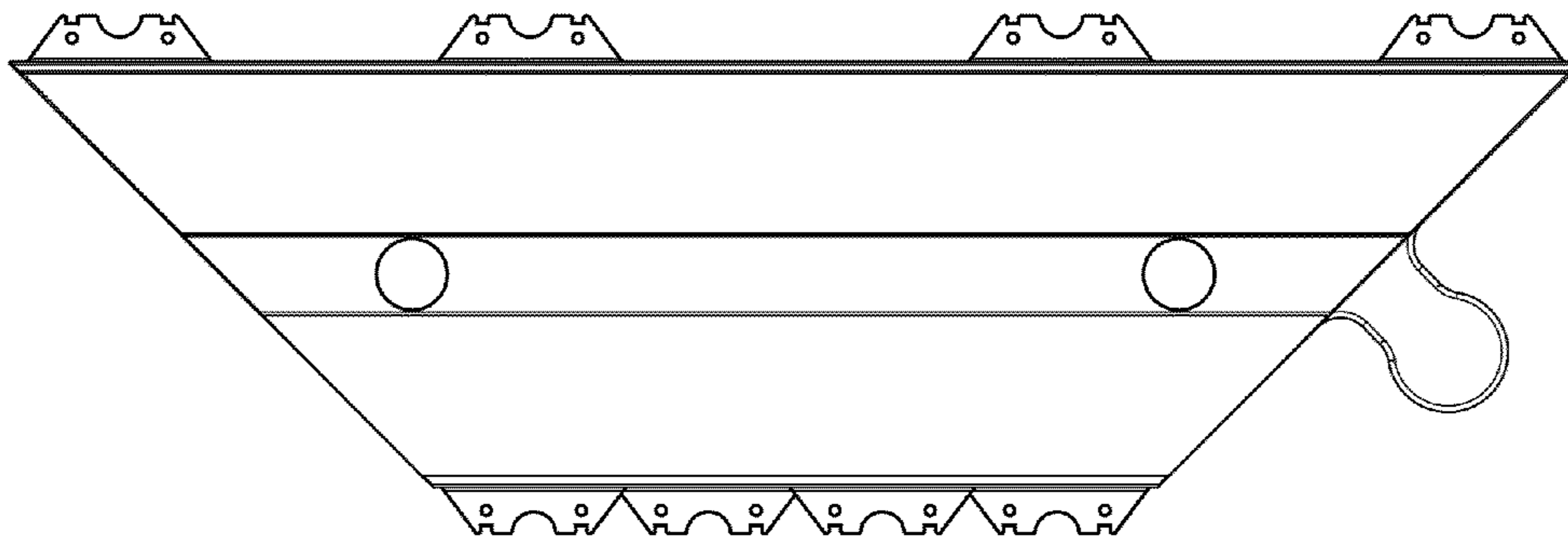


Figure 6

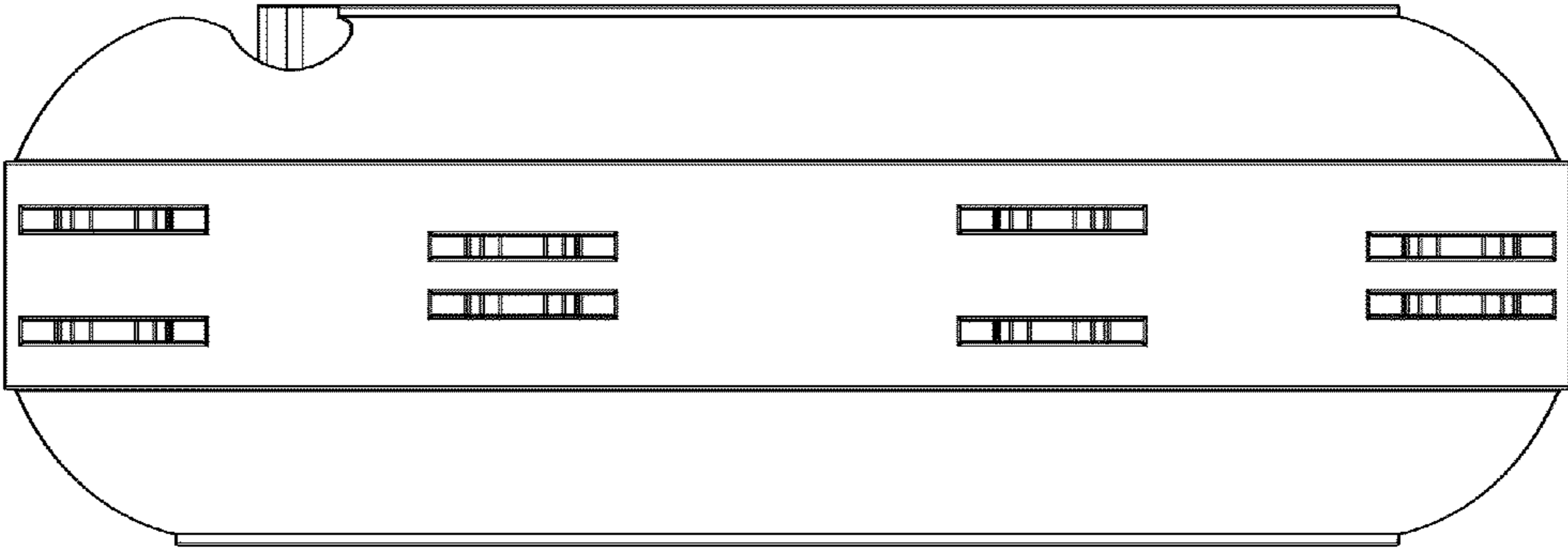


Figure 7

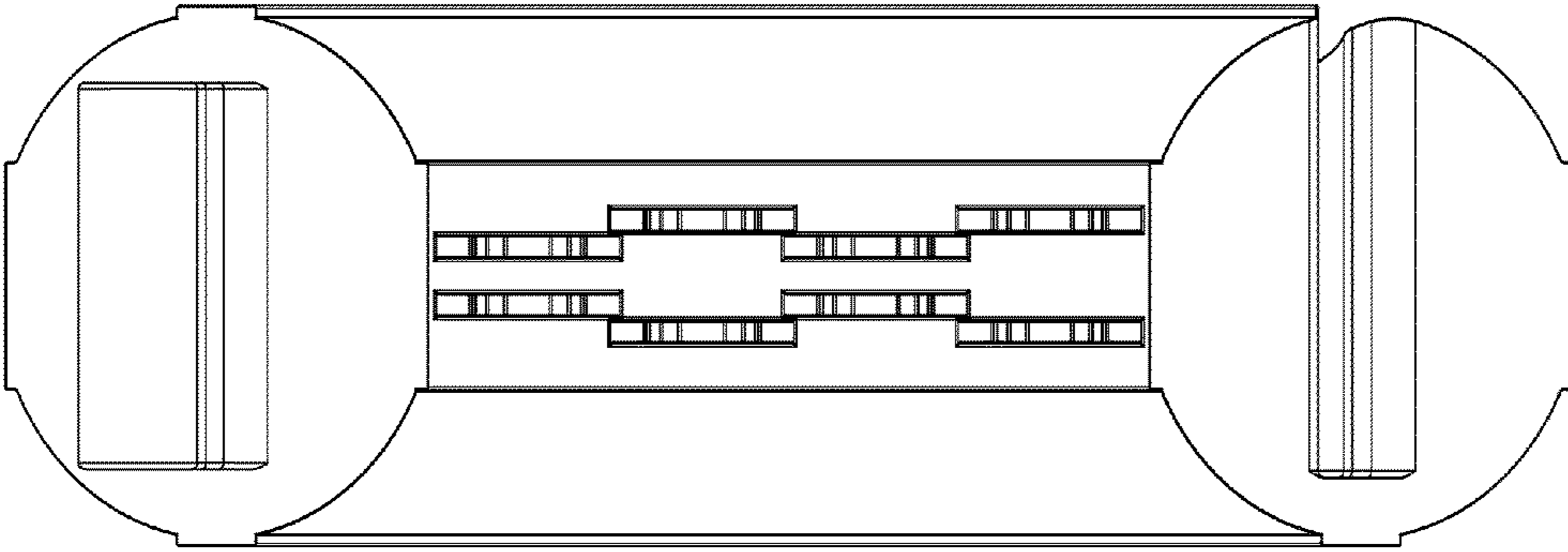


Figure 8