



US00D721319S

(12) **United States Design Patent**
Kristinsson

(10) **Patent No.:** **US D721,319 S**
(45) **Date of Patent:** **** Jan. 20, 2015**

- (54) **BOAT**
- (71) Applicant: **Mallard S.A.**, Luxembourg (LU)
- (72) Inventor: **Ossur Kristinsson**, Kopavogur (IS)
- (73) Assignee: **Mallard S.A.**, Luxembourg (LU)
- (**) Term: **14 Years**
- (21) Appl. No.: **29/506,624**
- (22) Filed: **Oct. 17, 2014**

4,649,851 A	3/1987	April	
4,726,310 A	2/1988	Ard et al.	
4,753,184 A	6/1988	Schiavone	
D337,302 S	7/1993	Van Lancker	
D355,883 S	2/1995	Simpkins	
5,497,722 A	3/1996	English, Sr.	
5,715,770 A *	2/1998	Heyworth	114/249
D407,366 S	3/1999	Badsey	
D412,190 S *	7/1999	Graham	D21/546
6,026,759 A *	2/2000	Hazelett et al.	114/144 R
D429,682 S	8/2000	Garland et al.	
6,223,679 B1	5/2001	Filipczak	
D475,338 S	6/2003	Zurn et al.	
D520,441 S	5/2006	Guvenc et al.	
D570,763 S	6/2008	Ozga	
D697,018 S	1/2014	Rodriguez	
2004/0103462 A1	5/2004	Verbickis et al.	
2006/0254486 A1	11/2006	Ashdown	

Related U.S. Application Data

- (62) Division of application No. 29/457,838, filed on Jun. 13, 2013, now Pat. No. Des. 718,210.
- (51) **LOC (10) Cl.** **12-06**
- (52) **U.S. Cl.**
USPC **D12/300**
- (58) **Field of Classification Search**
USPC D12/300, 302, 303, 304, 307, 310-314,
D12/316, 317; 114/39.11-39.15,
114/39.21-39.32, 61.1, 61.2, 61.32, 61.33,
114/62, 144 R, 249, 271, 273, 274, 283,
114/288-292, 343, 355-358, 363; 440/27,
440/35; D21/542-547
See application file for complete search history.

* cited by examiner

Primary Examiner — Cynthia M Chin
(74) *Attorney, Agent, or Firm* — Workman Nydegger

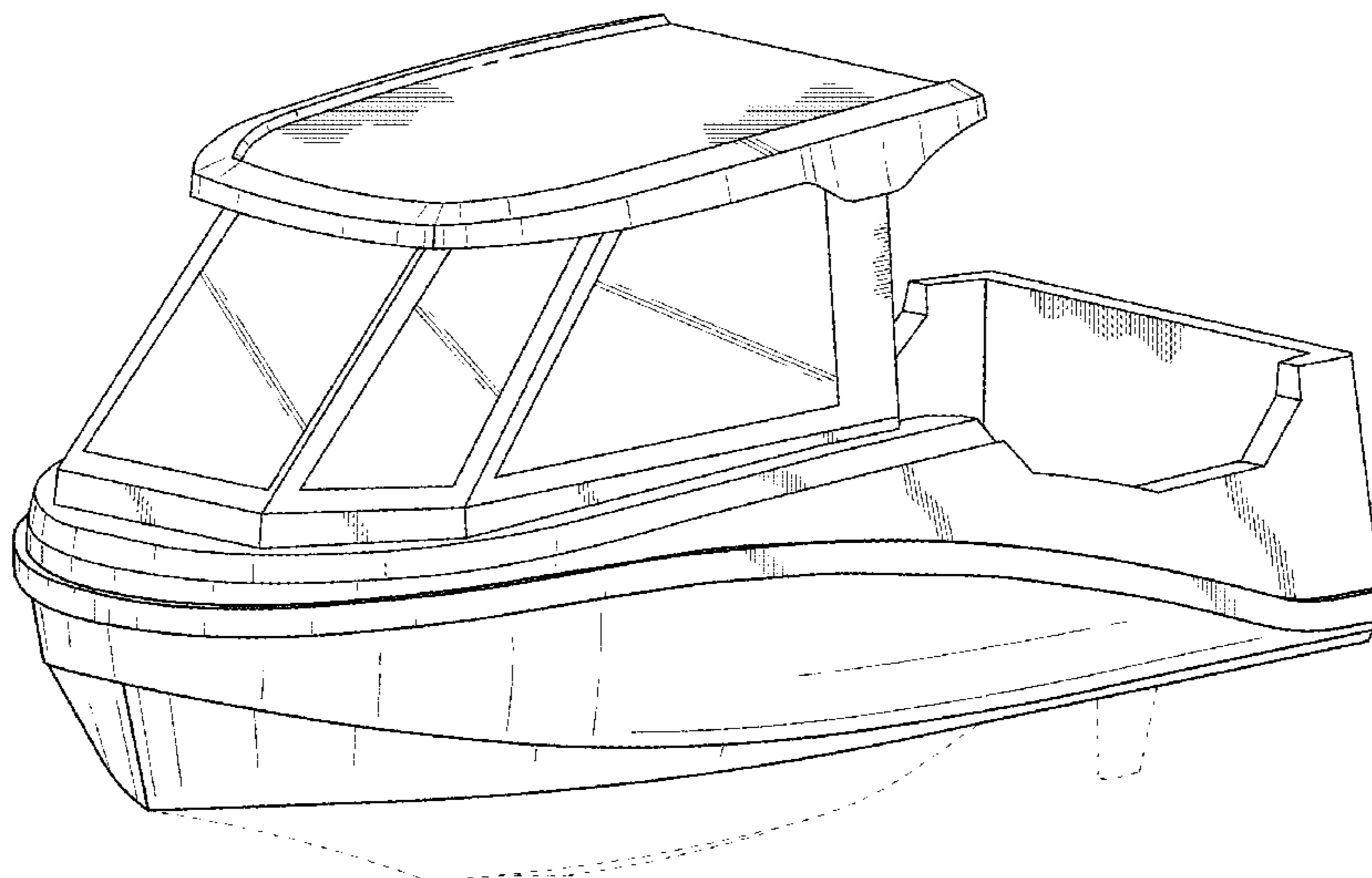
(57) **CLAIM**
The ornamental design for a boat, as shown and described.

DESCRIPTION

FIG. 1 is a perspective view of a boat, showing my new design.
FIG. 2 is a first side elevational view of the boat of FIG. 1.
FIG. 3 is a second side elevational view of the boat of FIG. 1.
FIG. 4 is a top plan view of the boat of FIG. 1.
FIG. 5 is a bottom plan view of the boat of FIG. 1.
FIG. 6 is a front elevational view of the boat of FIG. 1; and,
FIG. 7 is a rear elevational view of the boat of FIG. 1.
The broken lines are included for the purpose of illustrating environmental structure and form no part of the claimed design.

- (56) **References Cited**
U.S. PATENT DOCUMENTS
- | | | | |
|--------------|---------|--------------|---------|
| D140,720 S * | 4/1945 | Ripley | D21/542 |
| D143,614 S * | 1/1946 | Millstein | D21/542 |
| 2,915,031 A | 12/1959 | Johnston | |
| 3,763,810 A | 10/1973 | Payne | |
| D232,116 S * | 7/1974 | Theodosis | D21/542 |
| D234,965 S * | 4/1975 | Relling, Jr. | D21/542 |
| 4,638,753 A | 1/1987 | Marschewski | |

1 Claim, 7 Drawing Sheets



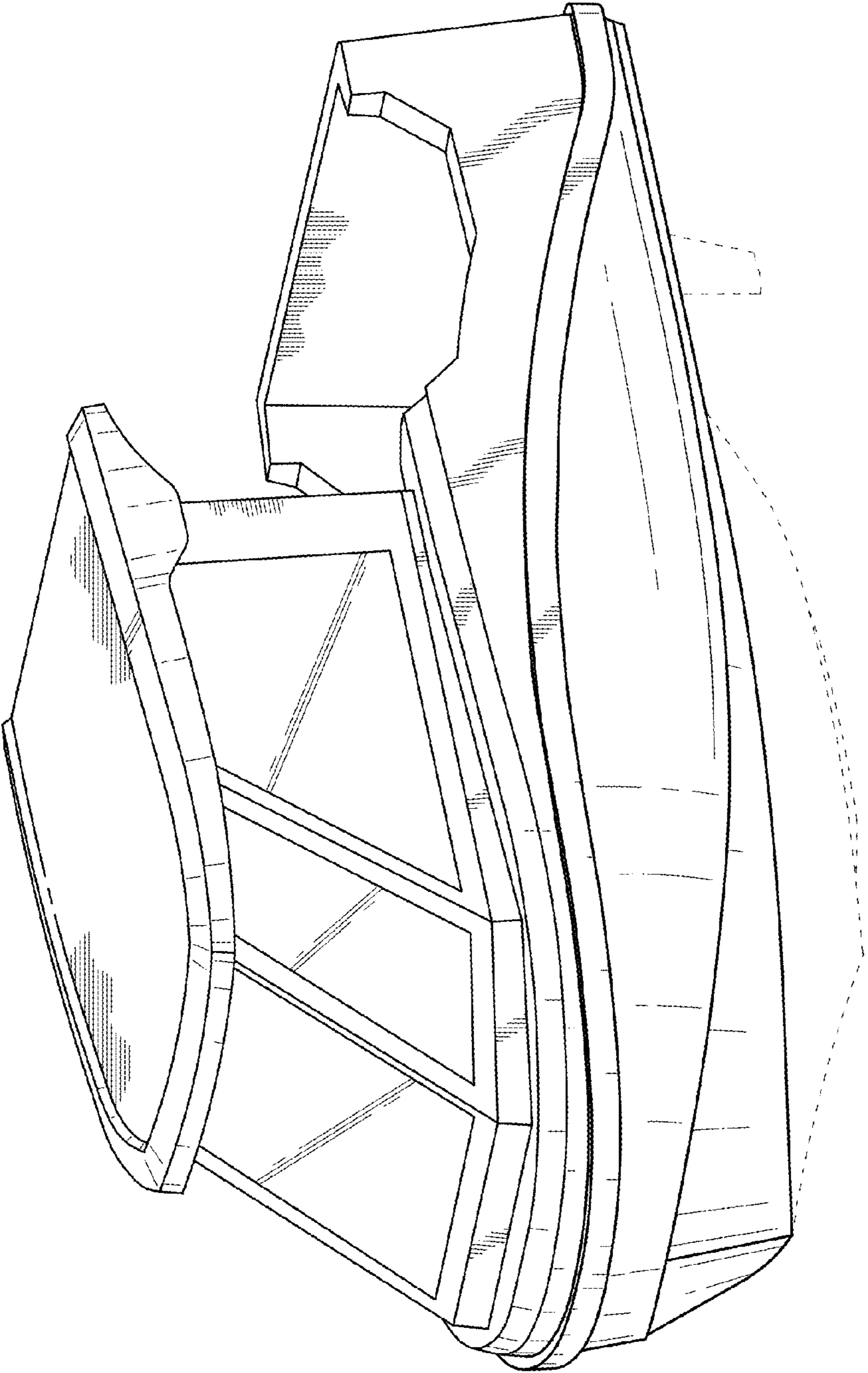


FIG. 1

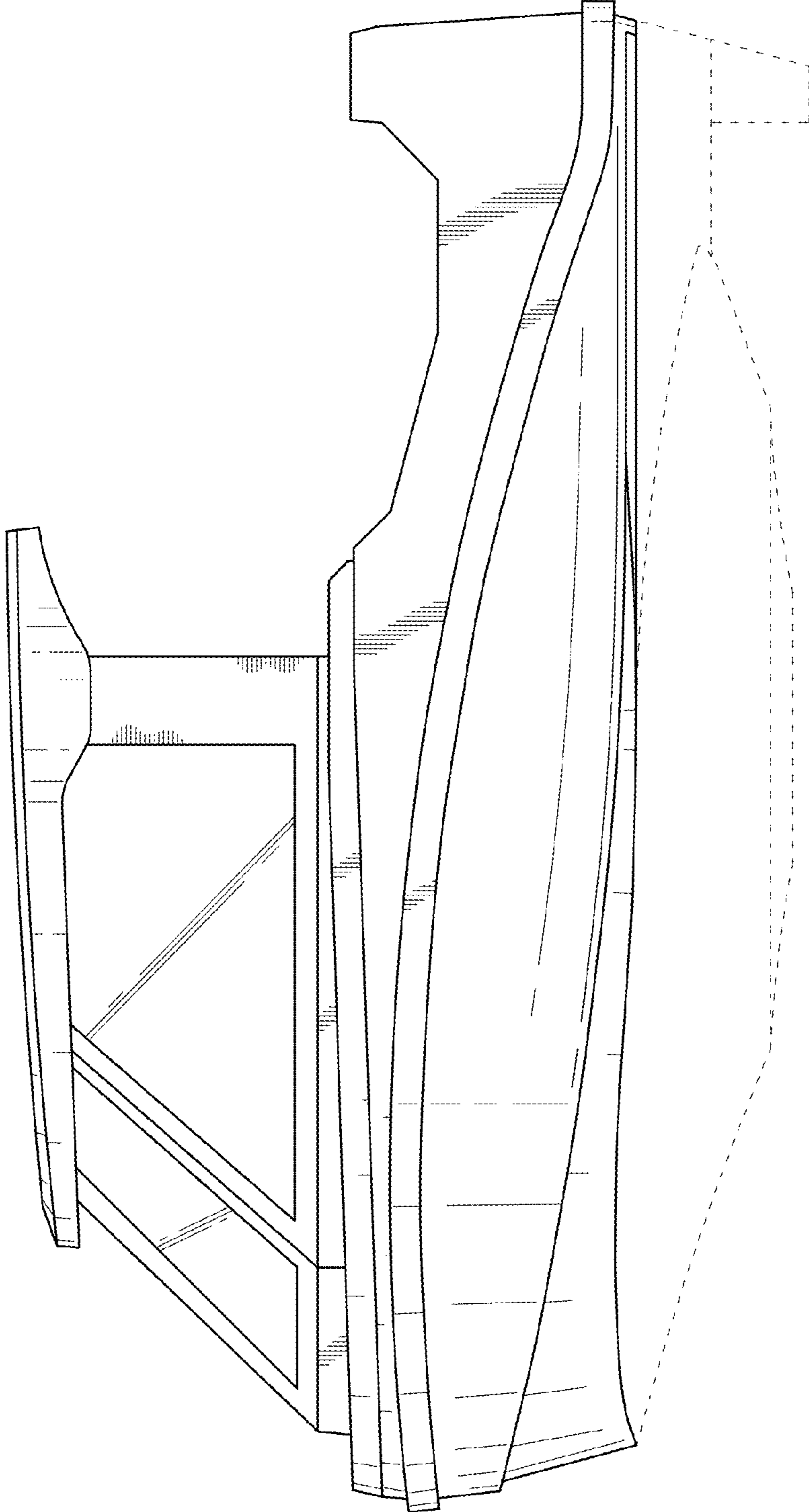


FIG. 2

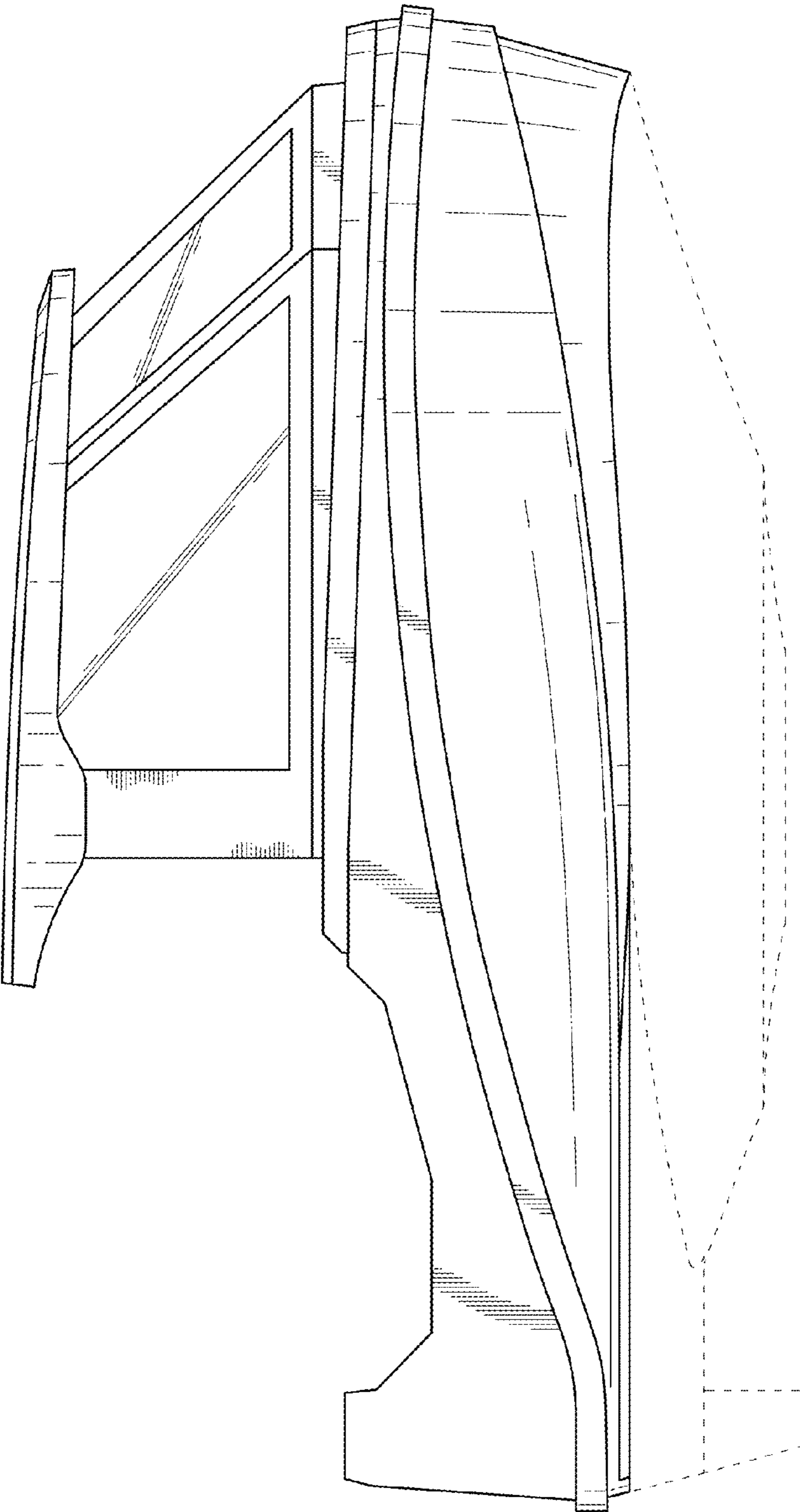


FIG. 3

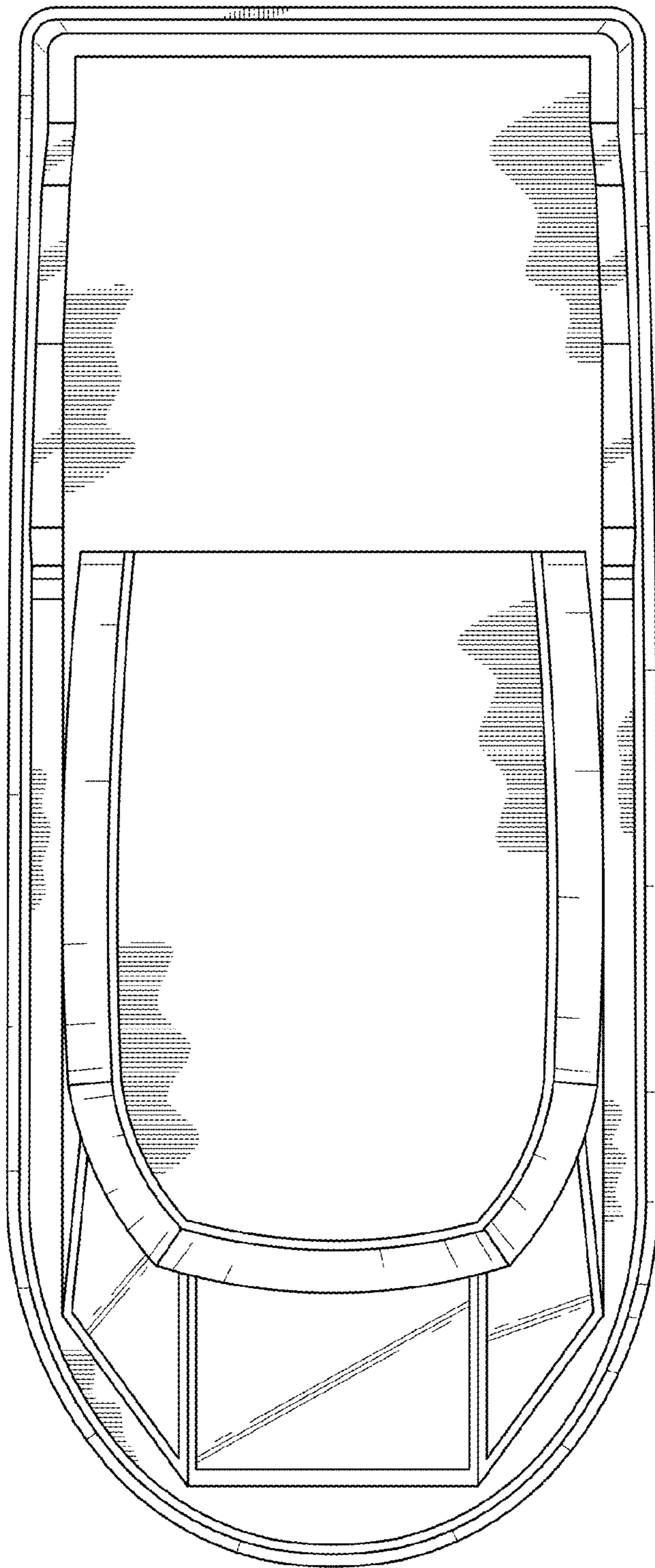


FIG. 4

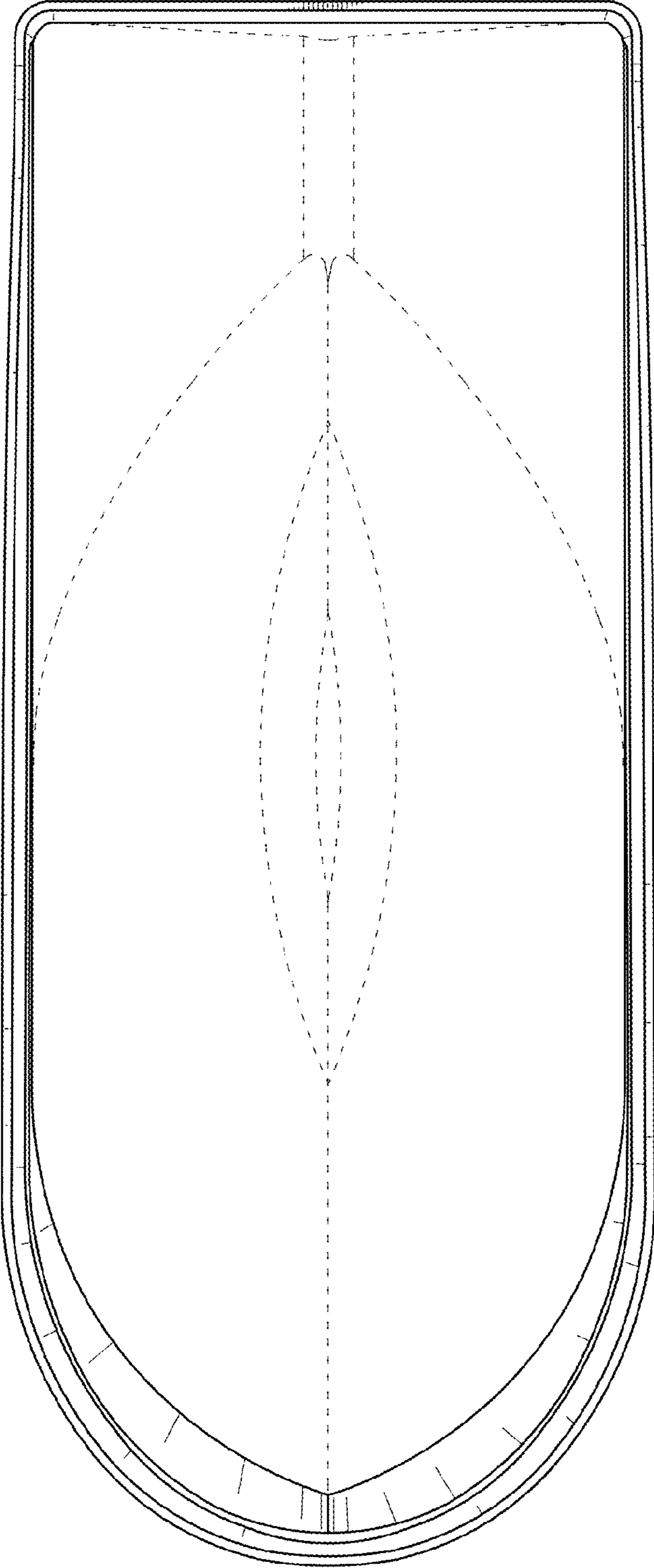


FIG. 5

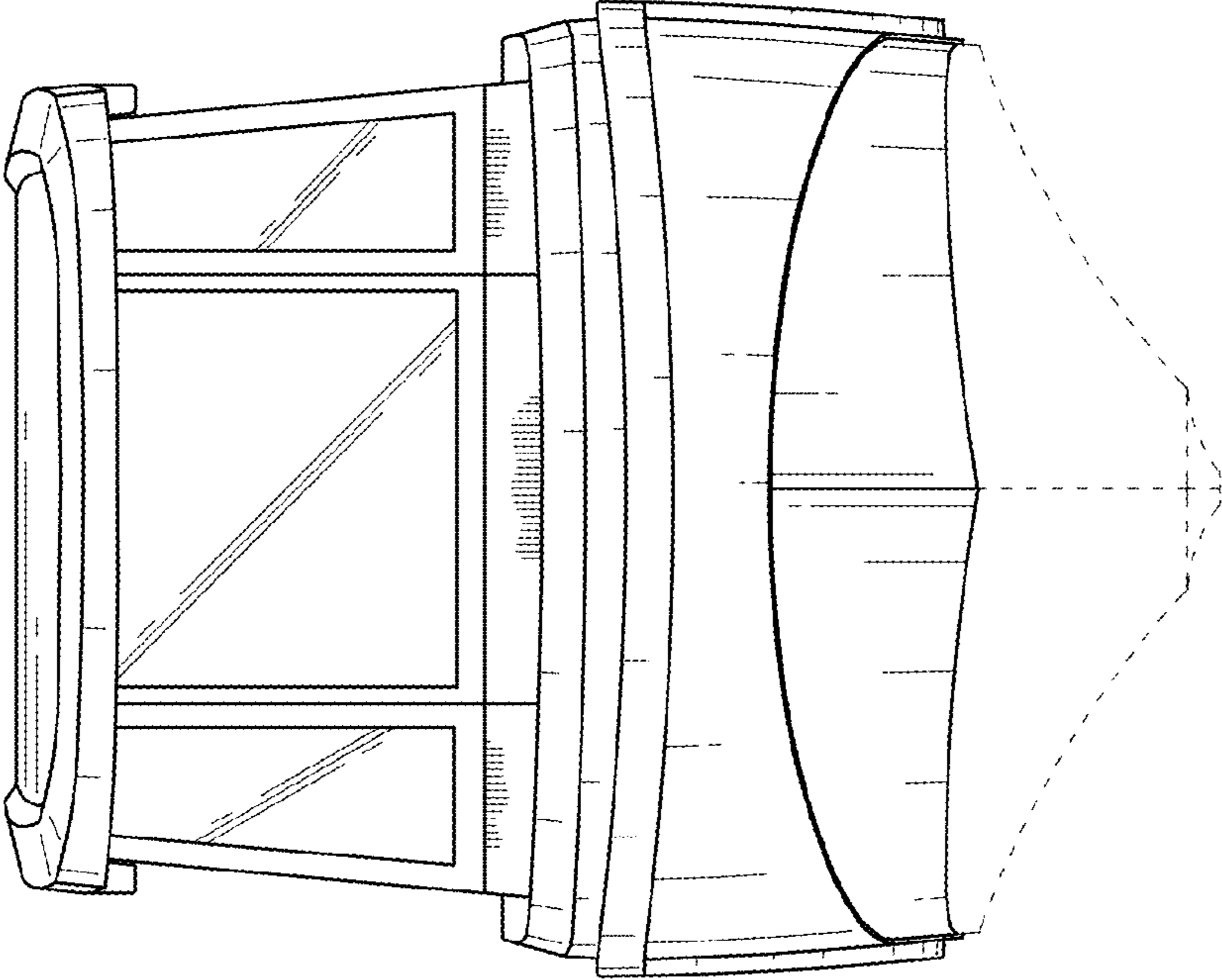


FIG. 6

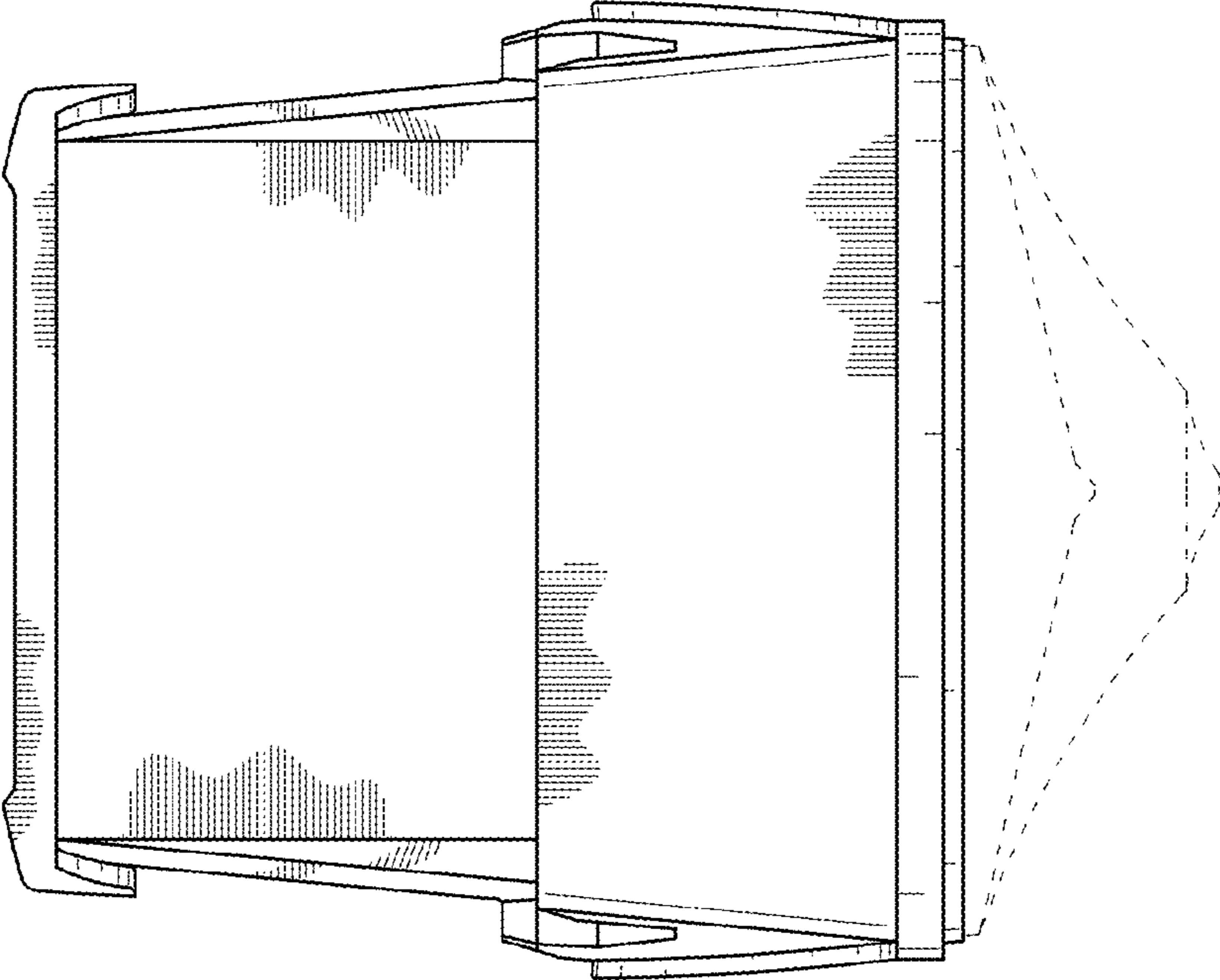


FIG. 7