

US00D721318S

(12) **United States Design Patent**
Kim

(10) **Patent No.:** **US D721,318 S**
(45) **Date of Patent:** **** Jan. 20, 2015**

(54) **AUTOMOTIVE WHEEL**

(71) Applicant: **Paul J. Kim**, City of Industry, CA (US)

(72) Inventor: **Paul J. Kim**, City of Industry, CA (US)

(73) Assignee: **The Wheel Group**, City of Industry, CA (US)

(**) Term: **14 Years**

(21) Appl. No.: **29/463,741**

(22) Filed: **Feb. 24, 2014**

(51) **LOC (10) Cl.** **12-16**

(52) **U.S. Cl.**
USPC **D12/211**

(58) **Field of Classification Search**
CPC B60B 7/00; B60B 7/02; B60B 7/04;
B60B 7/01; B60B 7/06; B60B 3/02; B60B
3/04; B60B 3/06; B60B 3/10; B60B 1/00;
B60B 1/08; B60B 1/10; B60B 1/12
USPC D12/204-213
See application file for complete search history.

(56) **References Cited**

U.S. PATENT DOCUMENTS

D360,179 S * 7/1995 Fuller D12/211
D428,380 S * 7/2000 Chinellato D12/211
D543,922 S * 6/2007 Young D12/209

D582,829 S * 12/2008 Musser D12/211
D644,156 S * 8/2011 Johnson D12/209
D659,063 S * 5/2012 Johnson D12/209
D660,220 S * 5/2012 Chan D12/211
D671,483 S * 11/2012 Chung D12/211
D675,971 S * 2/2013 Lee D12/209
D680,936 S * 4/2013 Claunch D12/209
D686,963 S * 7/2013 Hale, Jr. D12/211
D691,543 S * 10/2013 Gordon D12/209
D699,660 S * 2/2014 Zhao D12/209
D704,118 S * 5/2014 Chung D12/209
D704,122 S * 5/2014 Chung D12/211
D704,124 S * 5/2014 Hale, Jr. D12/211
D706,196 S * 6/2014 Lee D12/211
D712,334 S * 9/2014 Hale, Jr. D12/211
D715,722 S * 10/2014 Johnson D12/211
D717,224 S * 11/2014 Kim D12/211

* cited by examiner

Primary Examiner — Stacia Cadmus

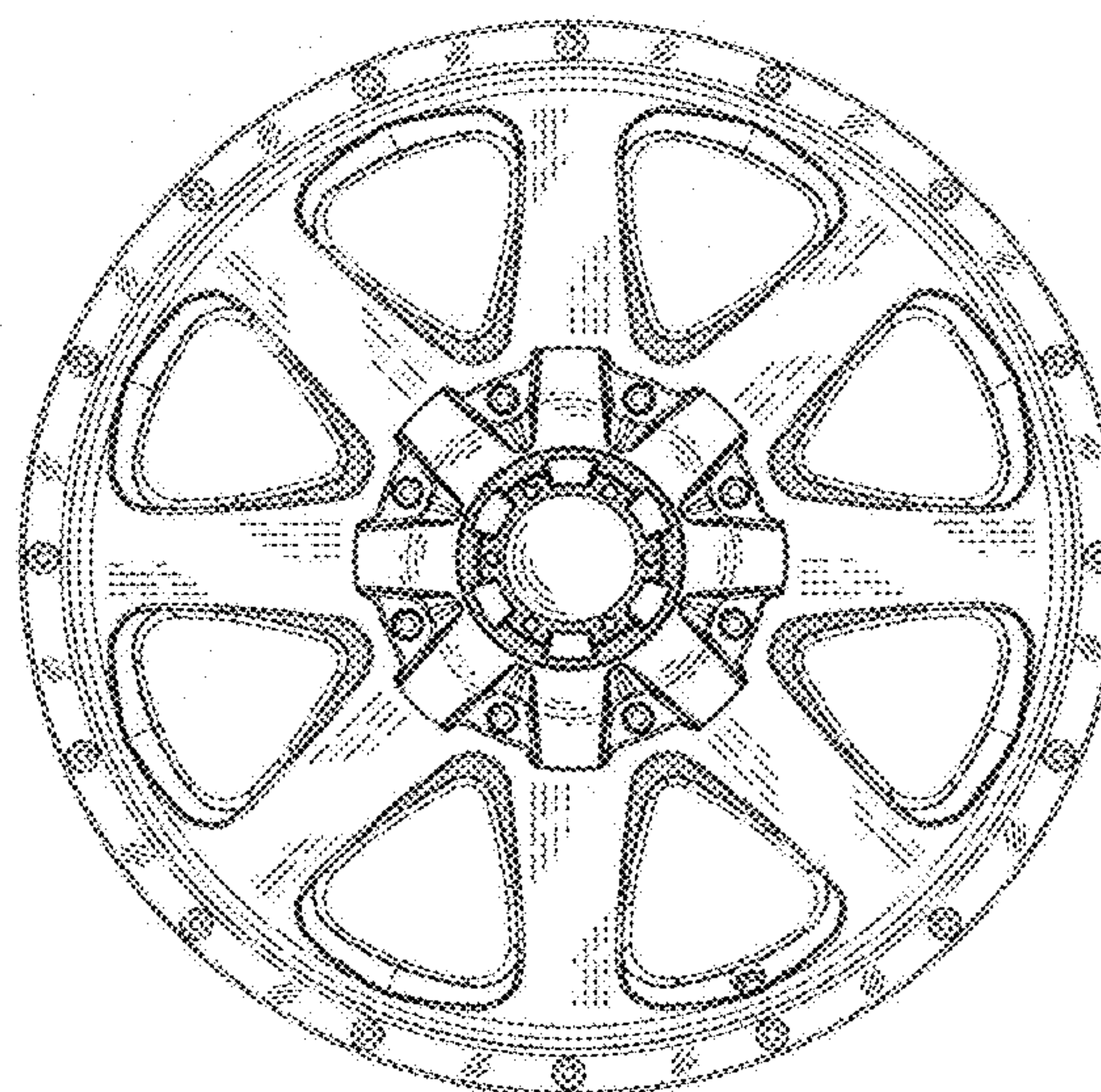
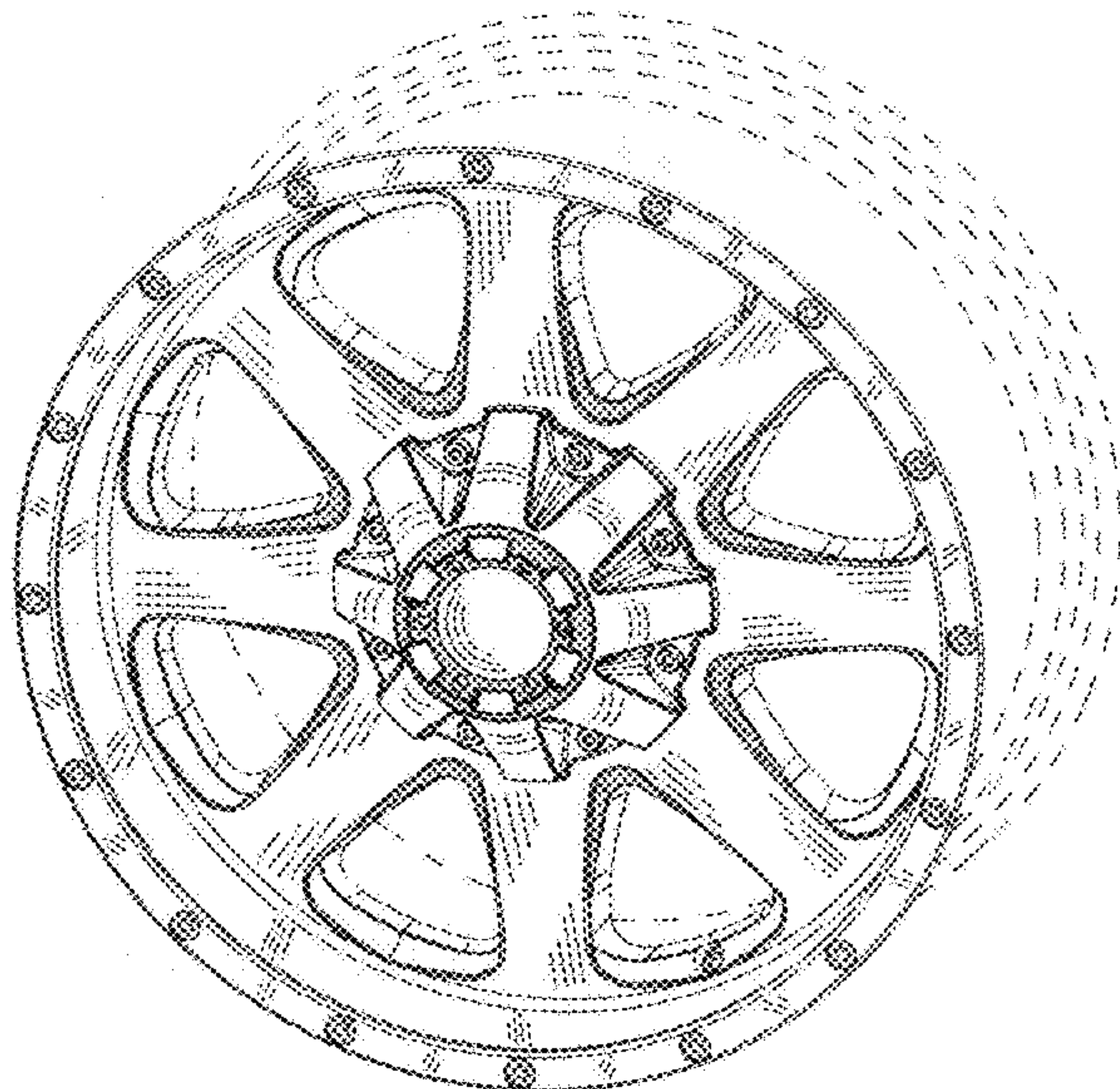
(57) **CLAIM**

The ornamental design for an automotive wheel, as shown and described.

DESCRIPTION

FIG. 1 is a perspective view of an automotive wheel front face showing my new design; and, FIG. 2 is a front elevational view thereof. In the drawings, the broken lines are for illustrative purposes only and form no part of the claimed design.

1 Claim, 2 Drawing Sheets



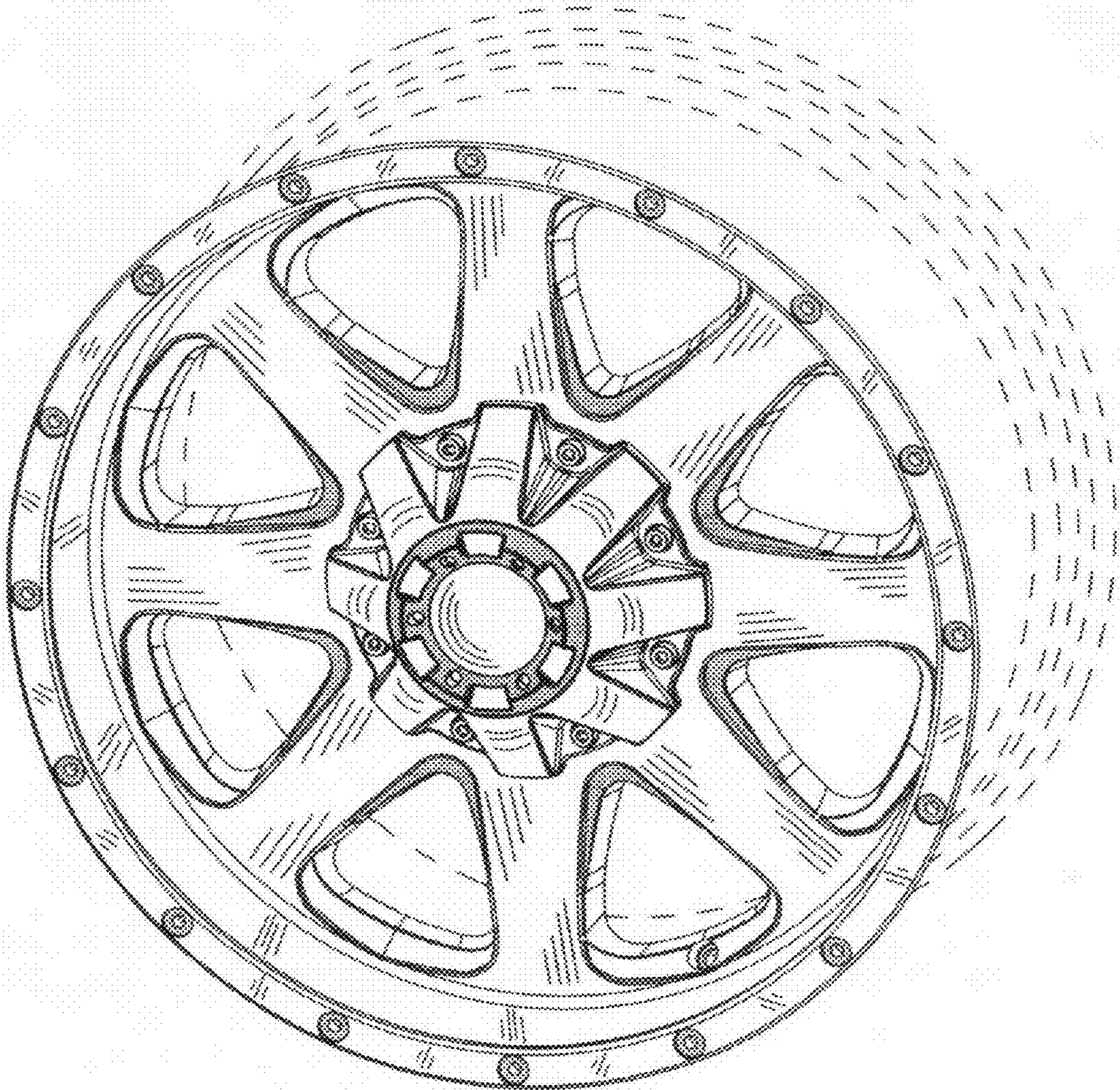


FIG.1

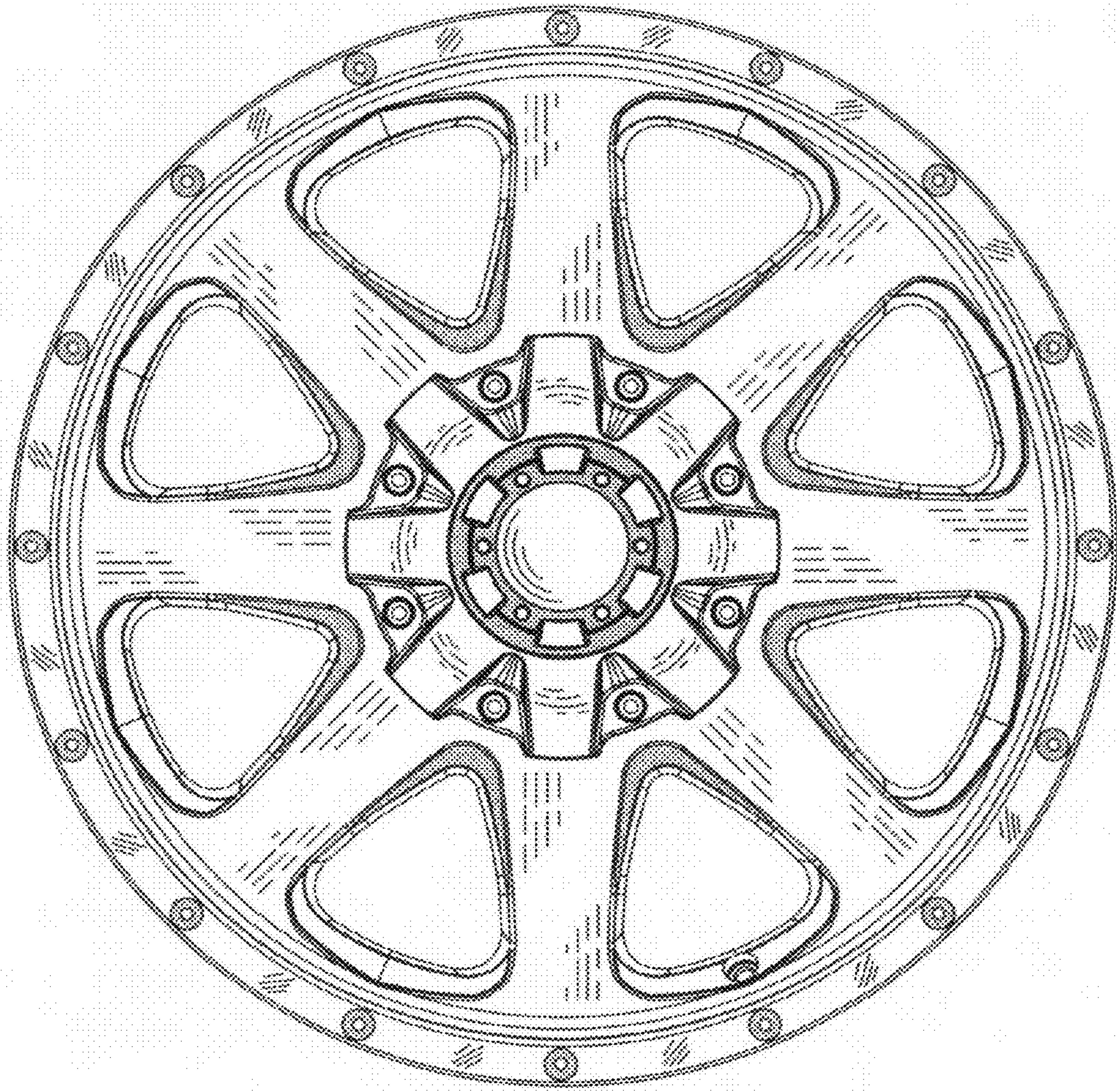


FIG.2