



US00D721317S

(12) **United States Design Patent**
Kern

(10) **Patent No.:** **US D721,317 S**
(45) **Date of Patent:** **** Jan. 20, 2015**

(54) **FRONT FACE OF A VEHICLE WHEEL**

(71) Applicant: **Vossen Wheels**, Miami, FL (US)

(72) Inventor: **Steven Kern**, Miami Beach, FL (US)

(73) Assignee: **Vossen Wheels, Inc.**, Miami, FL (US)

(**) Term: **14 Years**

(21) Appl. No.: **29/435,704**

(22) Filed: **Oct. 26, 2012**

(51) **LOC (10) Cl.** **12-16**

(52) **U.S. Cl.**

USPC **D12/211**

(58) **Field of Classification Search**

CPC B60B 7/00; B60B 7/02; B60B 7/04;
B60B 7/01; B60B 7/06; B60B 3/02; B60B
3/04; B60B 3/06; B60B 3/10; B60B 1/00;
B60B 1/08; B60B 1/10; B60B 1/12

USPC D12/204-213

See application file for complete search history.

(56) **References Cited**

U.S. PATENT DOCUMENTS

D337,563 S *	7/1993	Boselli	D12/209
D408,346 S *	4/1999	Goplen	D12/211
D413,298 S *	8/1999	Hussaini et al.	D12/211
D418,473 S *	1/2000	Chung	D12/211
D450,030 S *	11/2001	Pfeiffer	D12/211
D471,503 S *	3/2003	Baumgartner	D12/211

D471,852 S *	3/2003	Pfeiffer et al.	D12/211
D500,003 S *	12/2004	Guevara	D12/211
D507,775 S *	7/2005	Pfeiffer	D12/211
D536,655 S *	2/2007	Kim	D12/211
D573,082 S *	7/2008	Young	D12/211
D587,179 S *	2/2009	Pfeiffer	D12/209
D610,064 S *	2/2010	Dilber et al.	D12/211
D617,720 S *	6/2010	Zhao	D12/211
D625,239 S *	10/2010	Juergens et al.	D12/211
D671,062 S *	11/2012	Dilber et al.	D12/211
D702,173 S *	4/2014	Perini	D12/211
D704,122 S *	5/2014	Chung	D12/211
D706,196 S *	6/2014	Lee	D12/211
D712,332 S *	9/2014	Seidenberg	D12/211

* cited by examiner

Primary Examiner — Stacia Cadmus

(74) *Attorney, Agent, or Firm* — Berenato & White, LLC

(57) **CLAIM**

The ornamental design for a front face of a vehicle wheel, as shown and described.

DESCRIPTION

FIG. 1 is a perspective view of a front face of a vehicle wheel, showing my new design; and, FIG. 2 is a front view thereof.

The broken line showing of the rear portion of the wheel is included for the purpose of illustrating environment and forms no part of the claimed design.

1 Claim, 2 Drawing Sheets

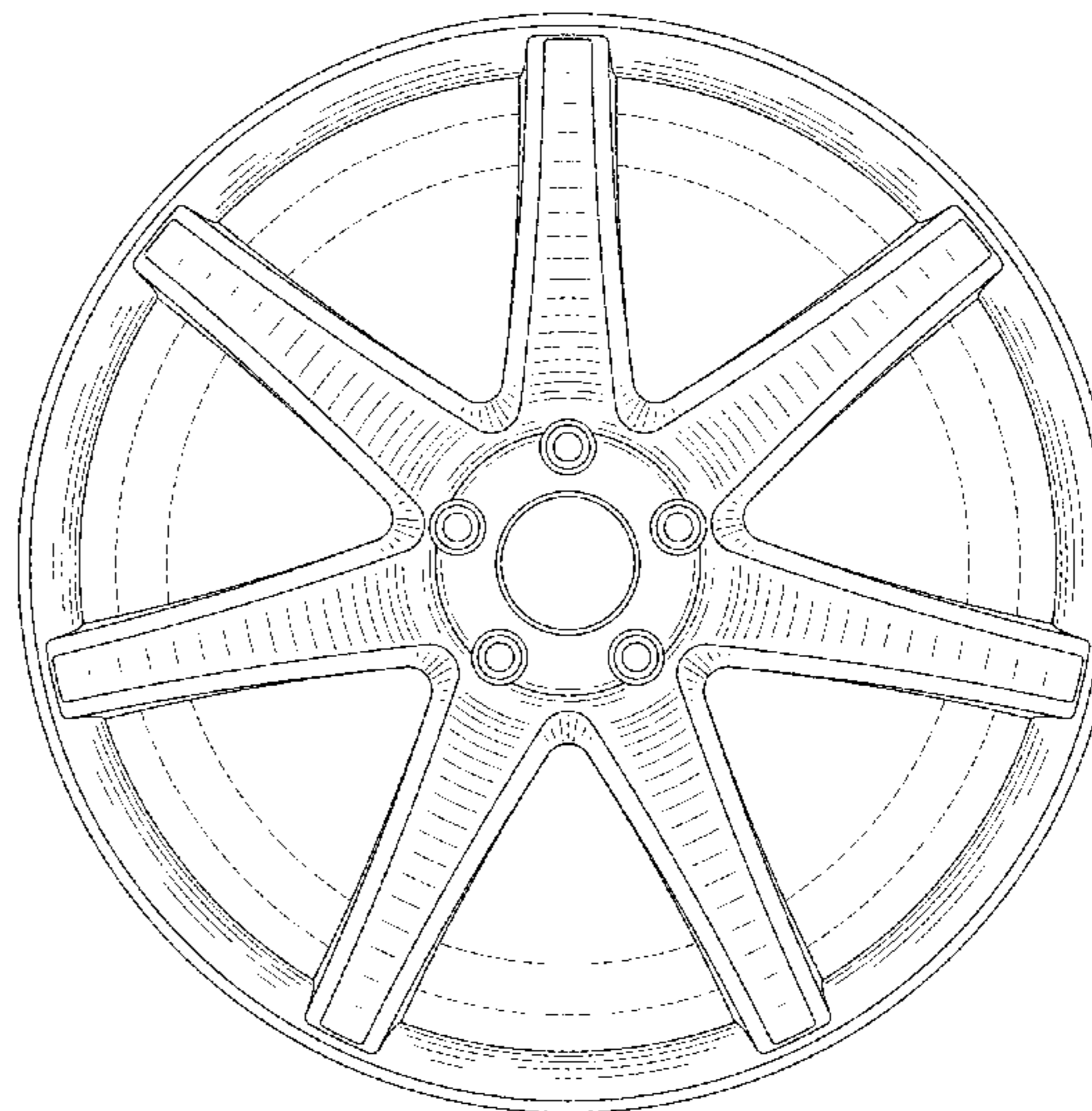
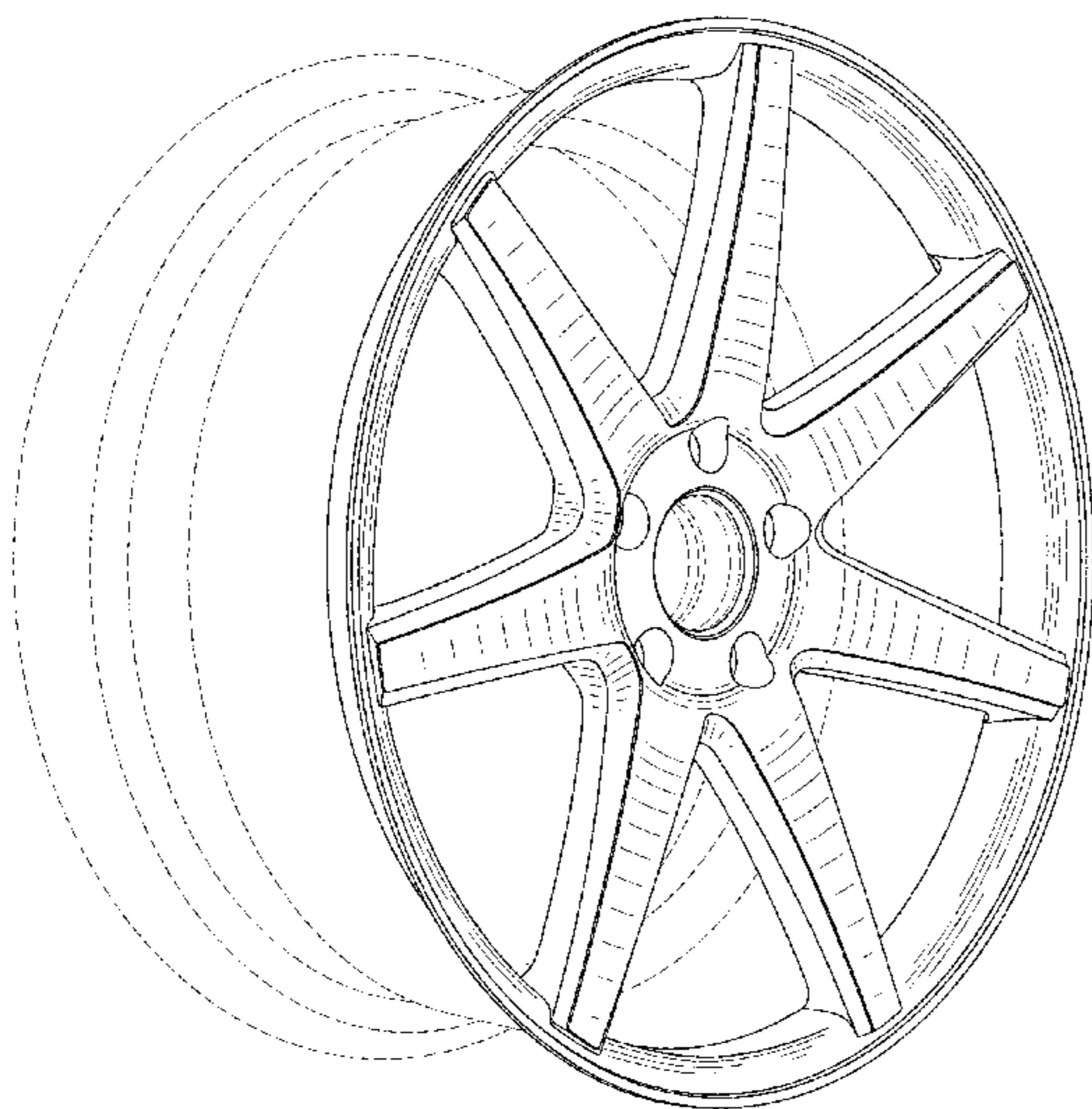


Fig. 1

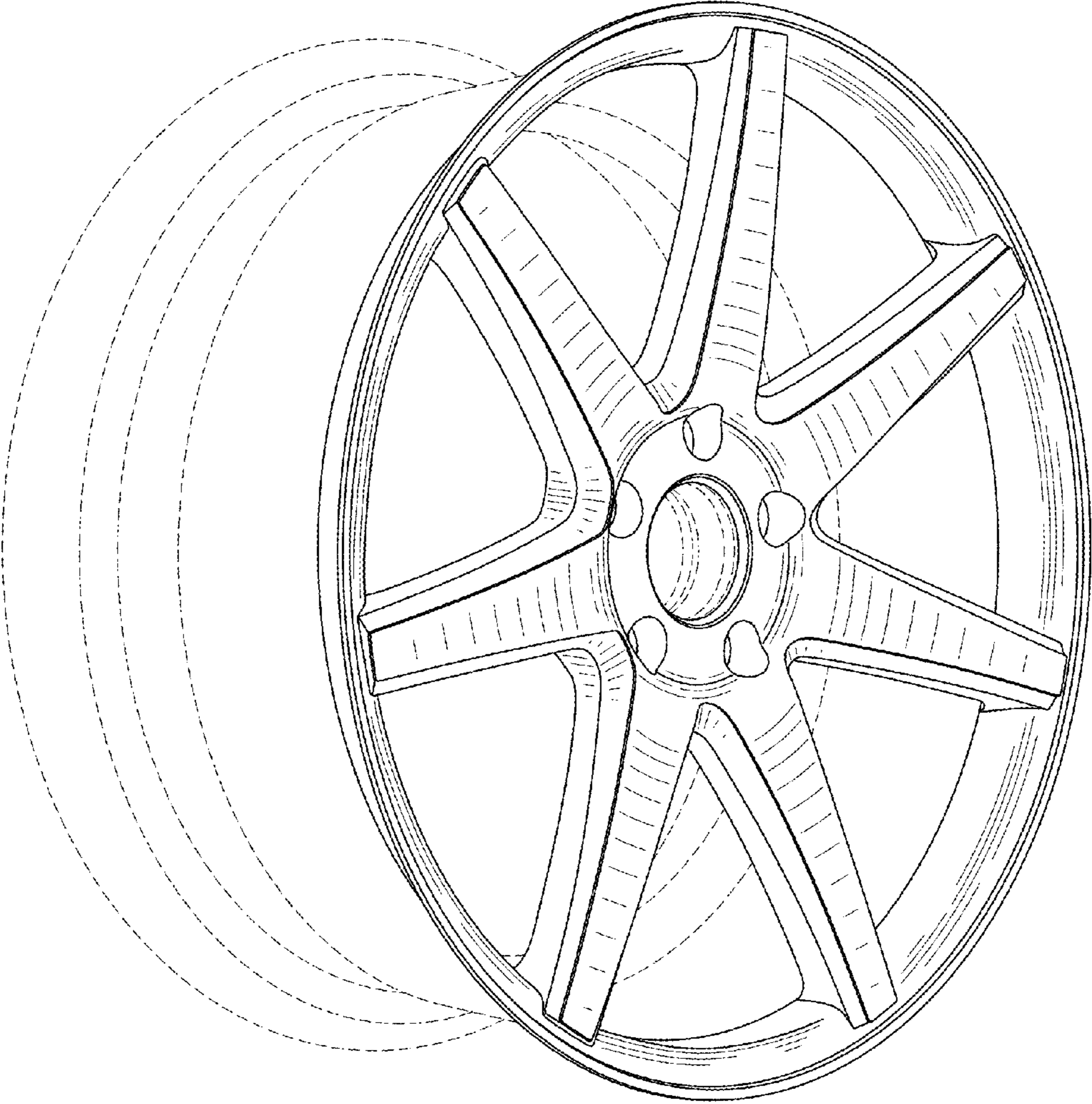


Fig. 2

