



US00D721315S

(12) **United States Design Patent**
Delavy

(10) **Patent No.:** **US D721,315 S**
(45) **Date of Patent:** **** Jan. 20, 2015**

(54) **BICYCLE HUB**

(71) Applicant: **Maxon Motor AG**, Sachseln (CH)

(72) Inventor: **Marcel Delavy**, Zurich (CH)

(73) Assignee: **Maxon Motor AG**, Sachseln (CH)

(**) Term: **14 Years**

(21) Appl. No.: **29/486,252**

(22) Filed: **Mar. 27, 2014**

(30) **Foreign Application Priority Data**

Sep. 27, 2013 (WO) DM/081 967

(51) **LOC (10) Cl.** **12-16**

(52) **U.S. Cl.**
USPC **D12/207**

(58) **Field of Classification Search**
USPC D12/204–213, 114, 400; 280/250.1,
280/279; 384/545; 301/59, 110.5, 108.5
See application file for complete search history.

(56) **References Cited**

U.S. PATENT DOCUMENTS

D248,640 S * 7/1978 Hsieh D12/207
D281,155 S * 10/1985 Scura D12/207

D340,888 S * 11/1993 Ringle et al. D12/207
D365,310 S * 12/1995 Chen D12/207
D430,093 S * 8/2000 Muraoka D12/207
D440,533 S * 4/2001 Muraoka D12/207
D528,492 S * 9/2006 Wu D12/207
D539,718 S * 4/2007 Asano D12/207
D545,748 S * 7/2007 Okada et al. D12/207
D579,844 S * 11/2008 Hed D12/207
D647,838 S * 11/2011 Lohr et al. D12/207
D666,545 S * 9/2012 Kappius D12/207

* cited by examiner

Primary Examiner — Stacia Cadmus

(74) *Attorney, Agent, or Firm* — Baker Hostetler LLP

(57) **CLAIM**

The ornamental design for a bicycle hub, as shown and described.

DESCRIPTION

FIG. 1 is a front view of a bicycle hub showing our new design;

FIG. 2 is a rear view thereof;

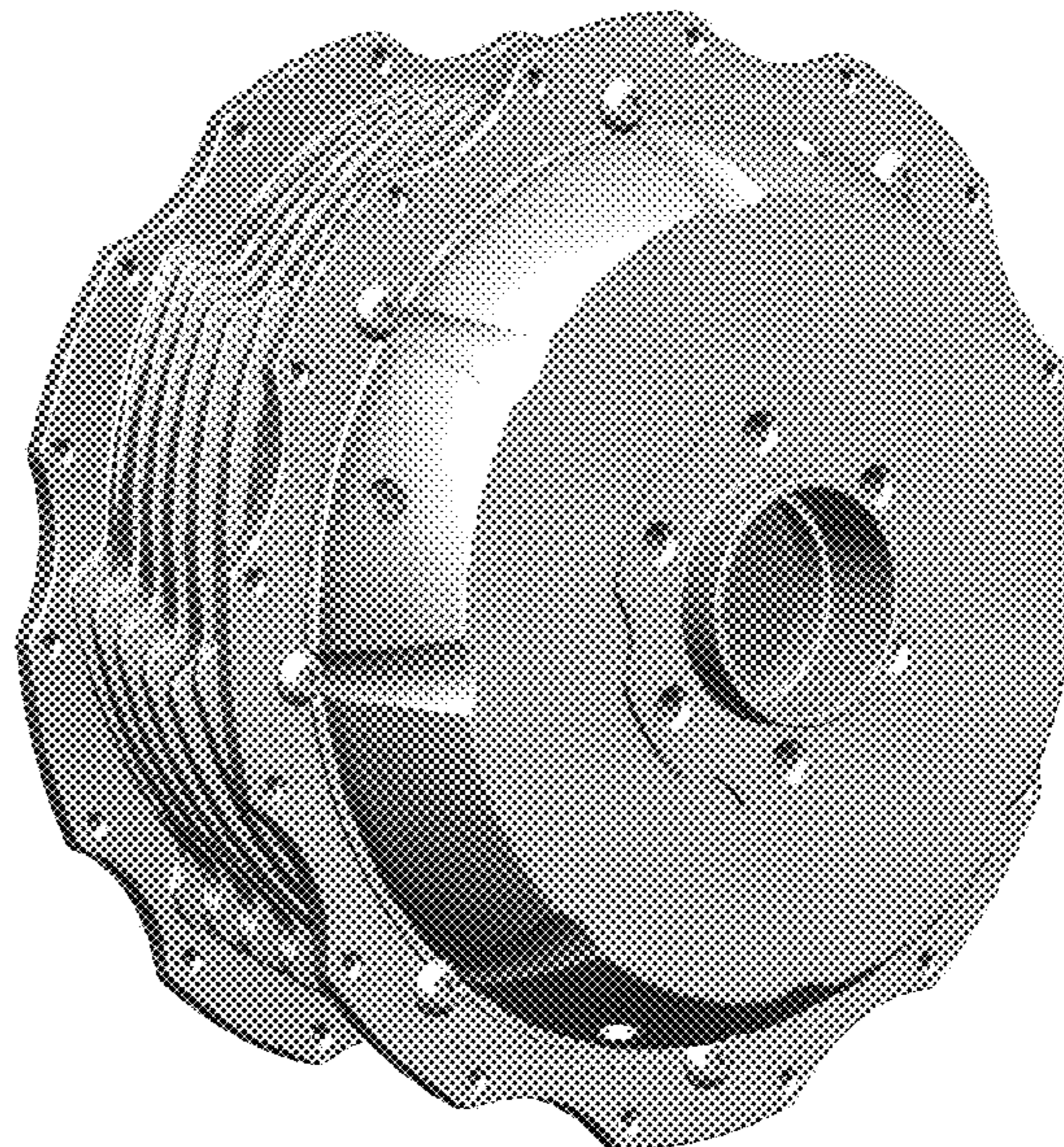
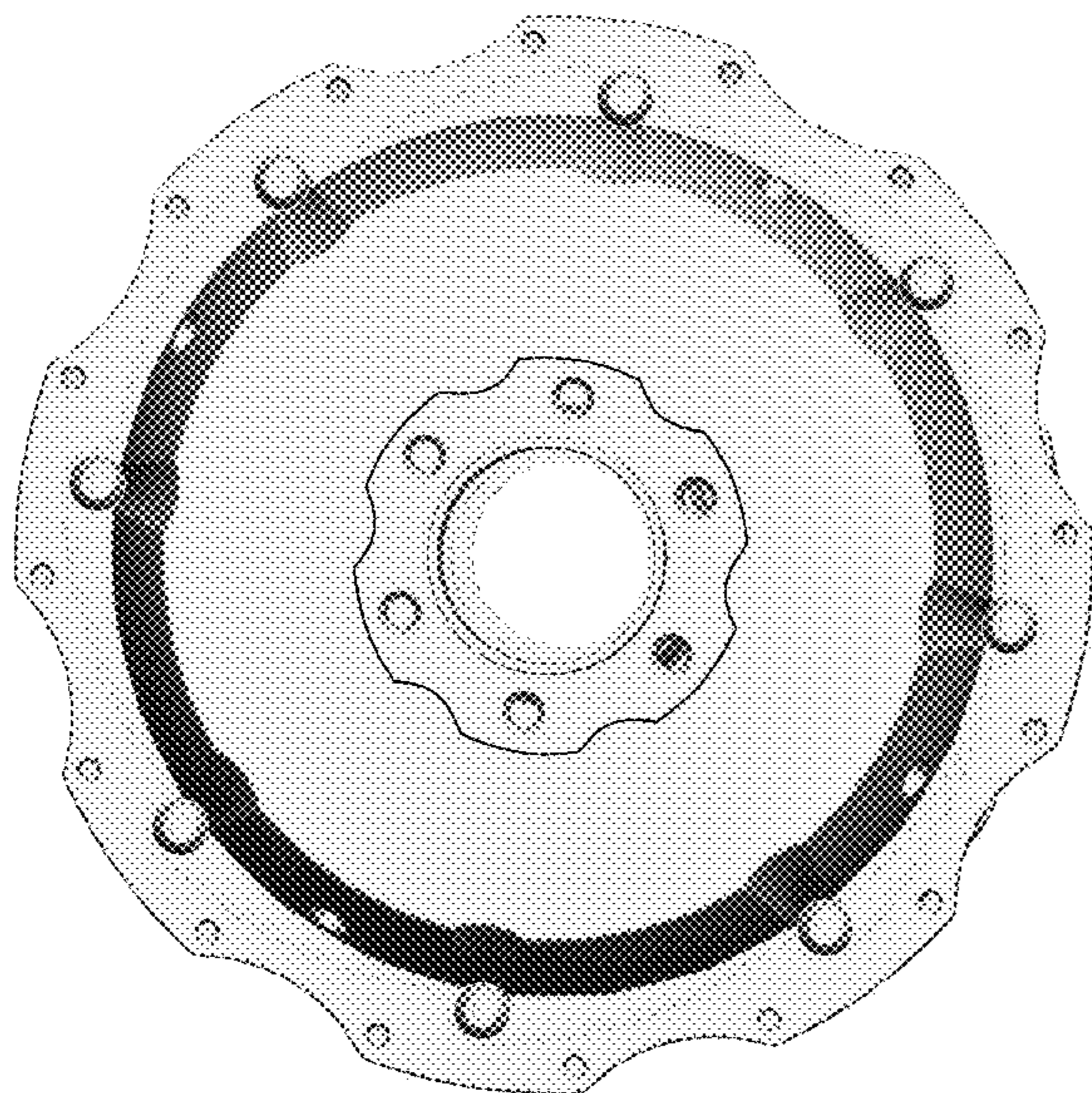
FIG. 3 is a side view thereof;

FIG. 4 is a front perspective view thereof;

FIG. 5 is a rear perspective view thereof; and,

FIG. 6 is a further rear perspective view thereof.

1 Claim, 6 Drawing Sheets



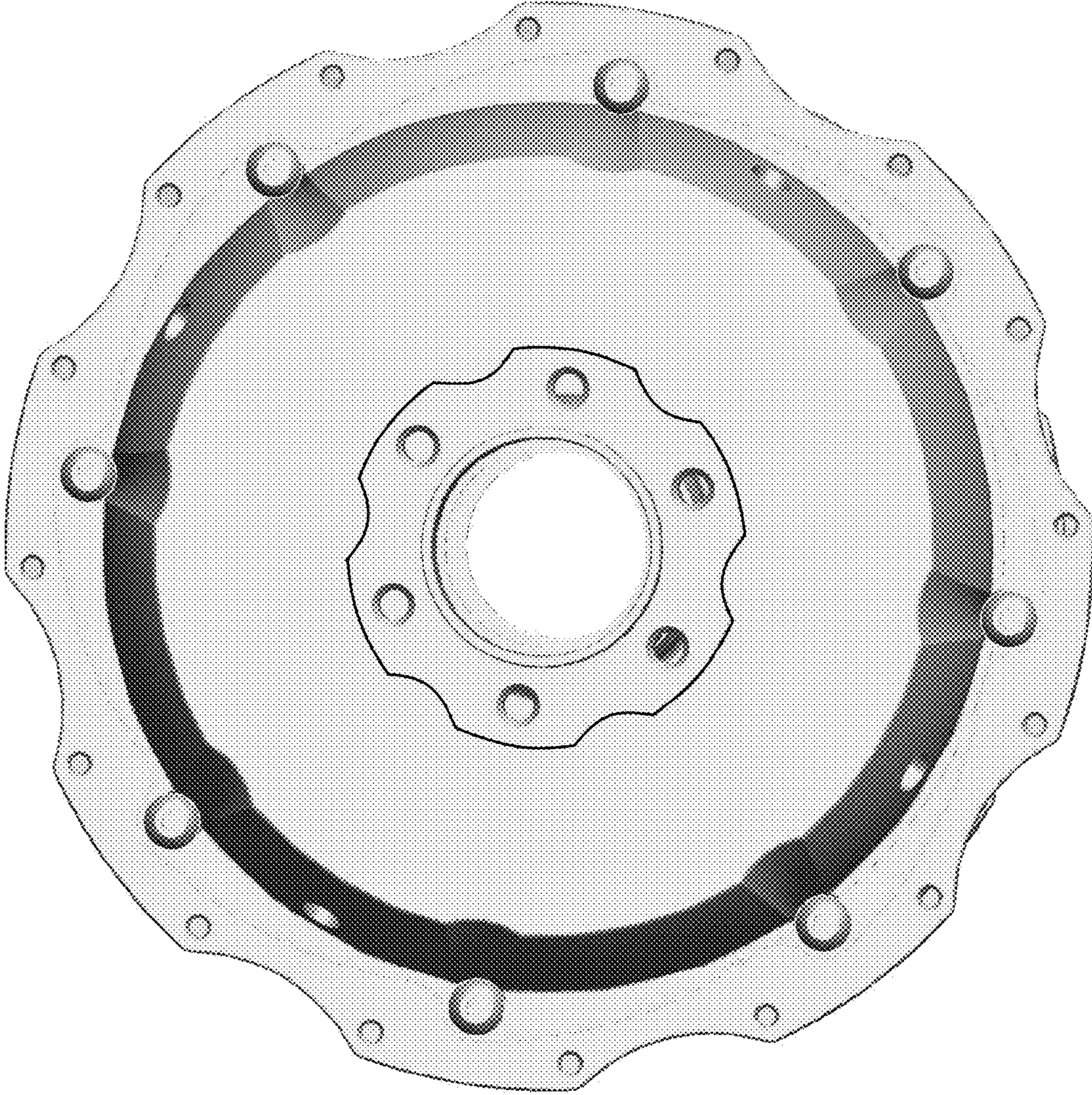


FIG. 1

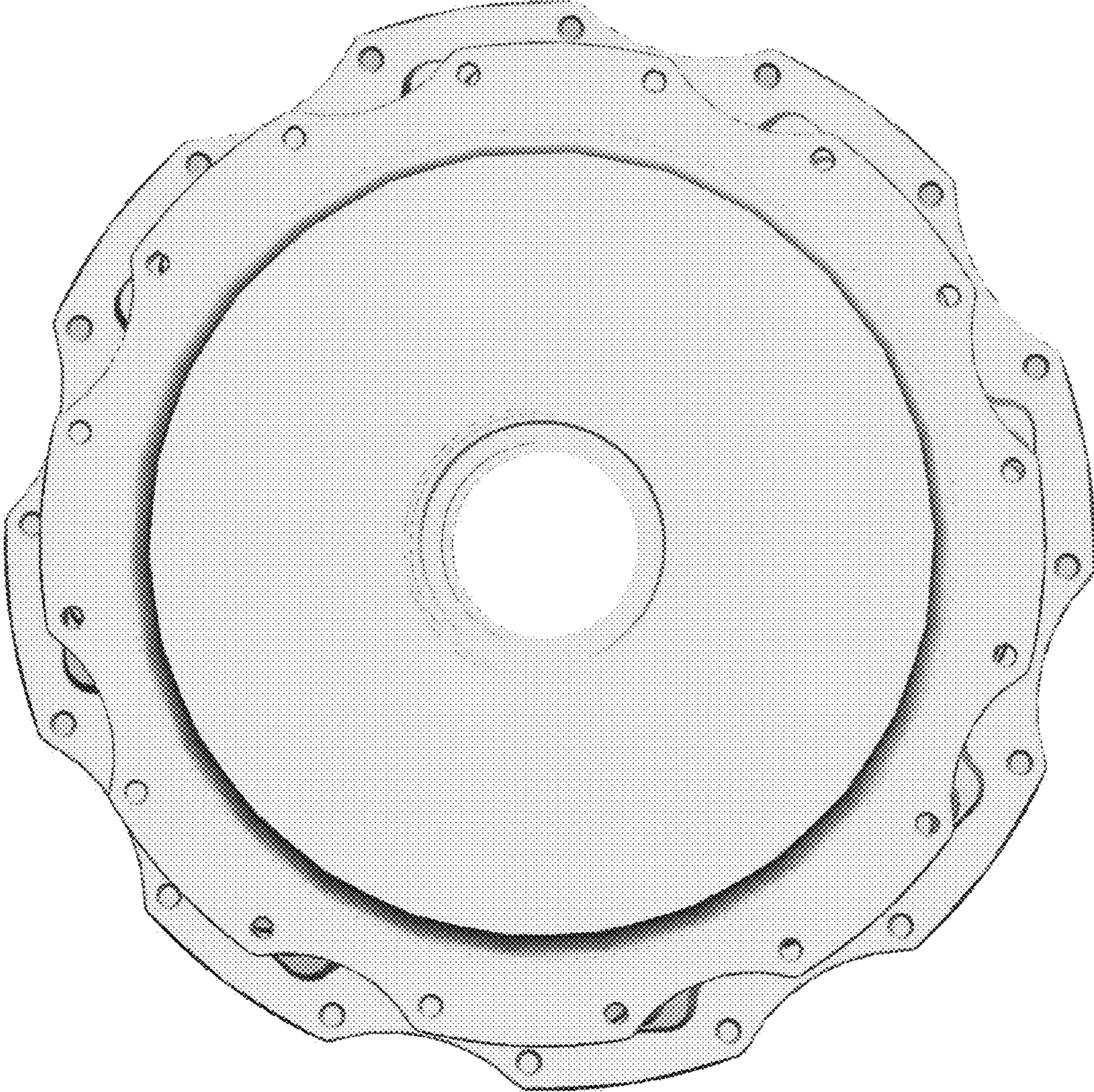


FIG. 2

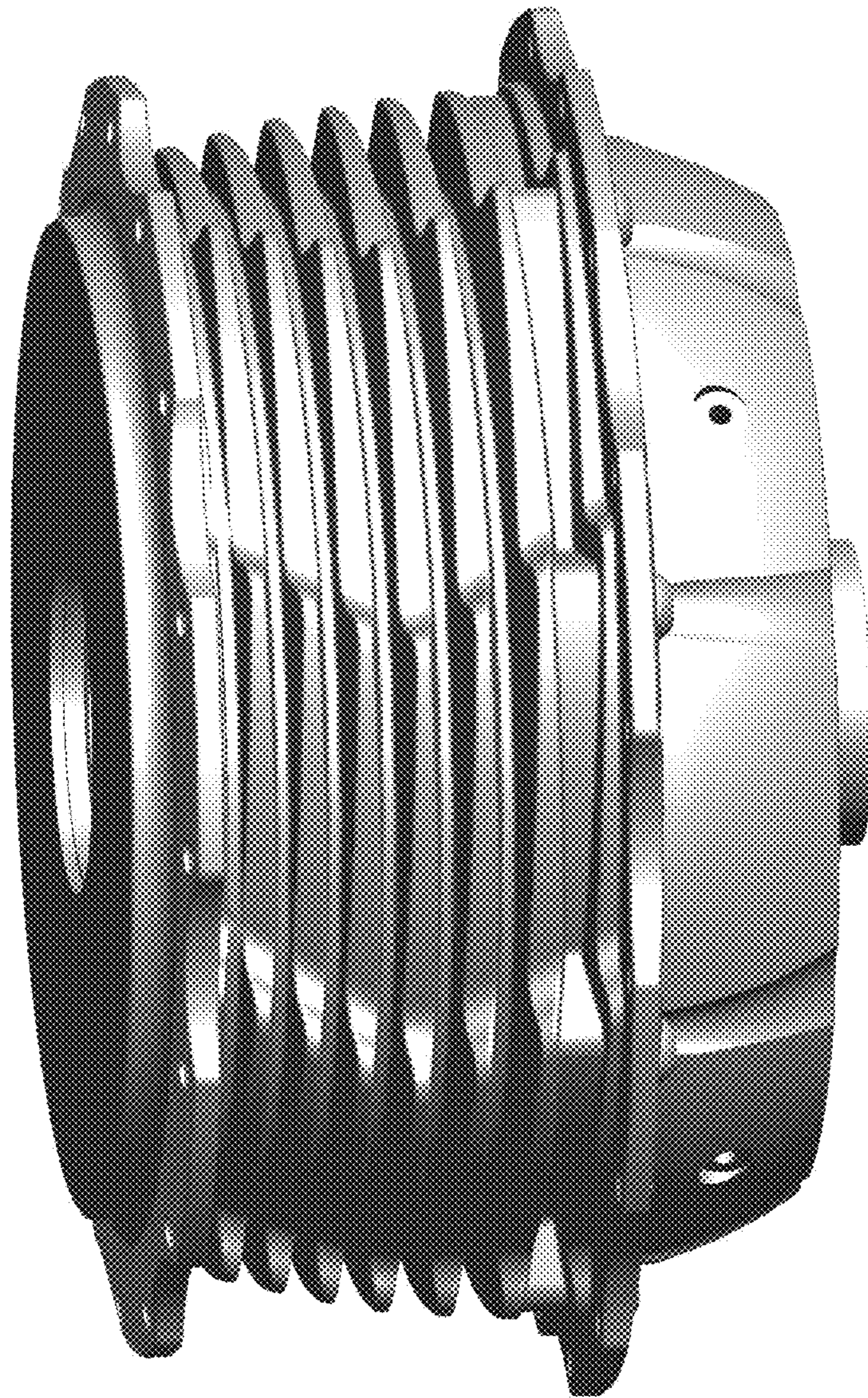


FIG. 3

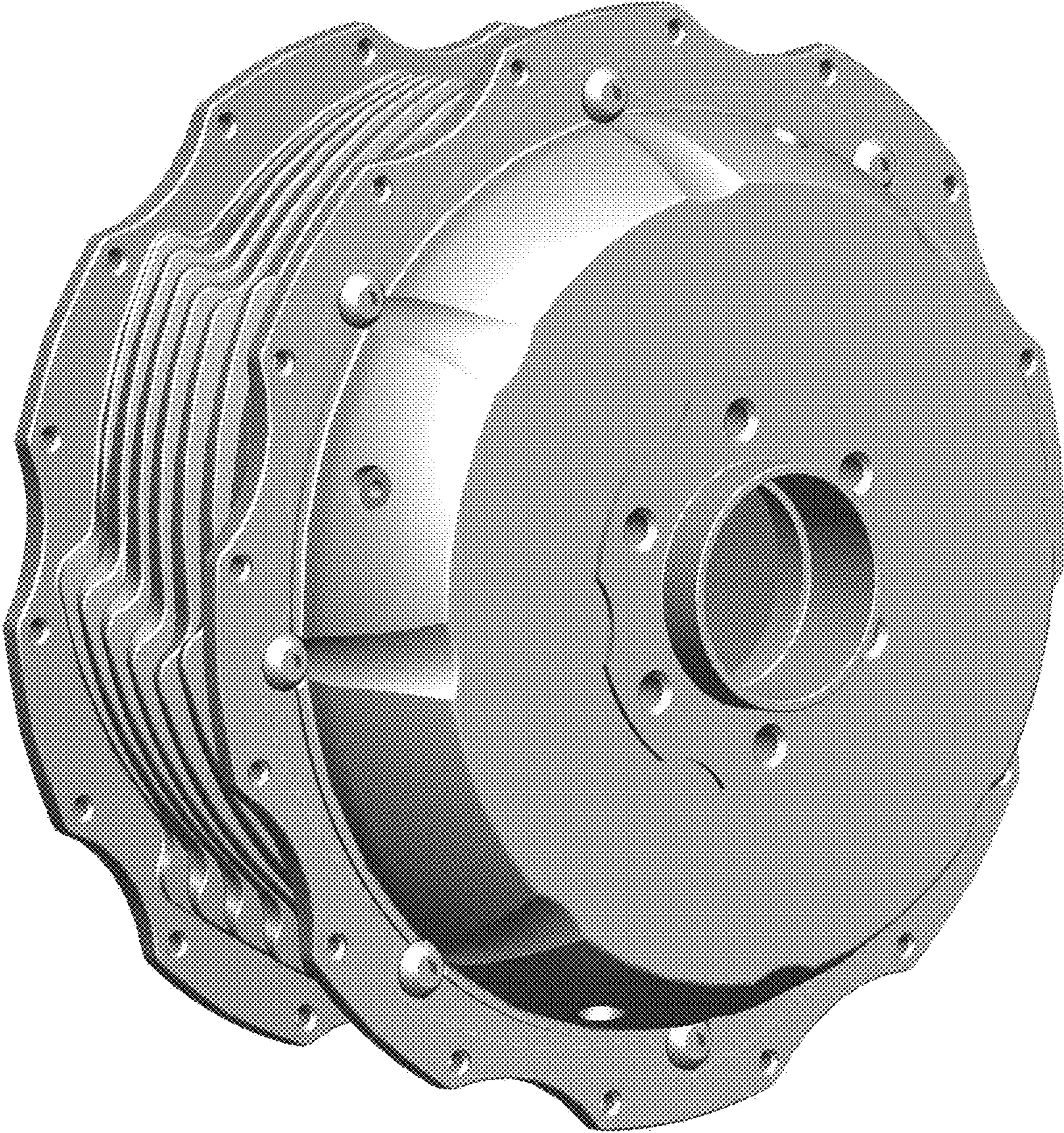


FIG. 4

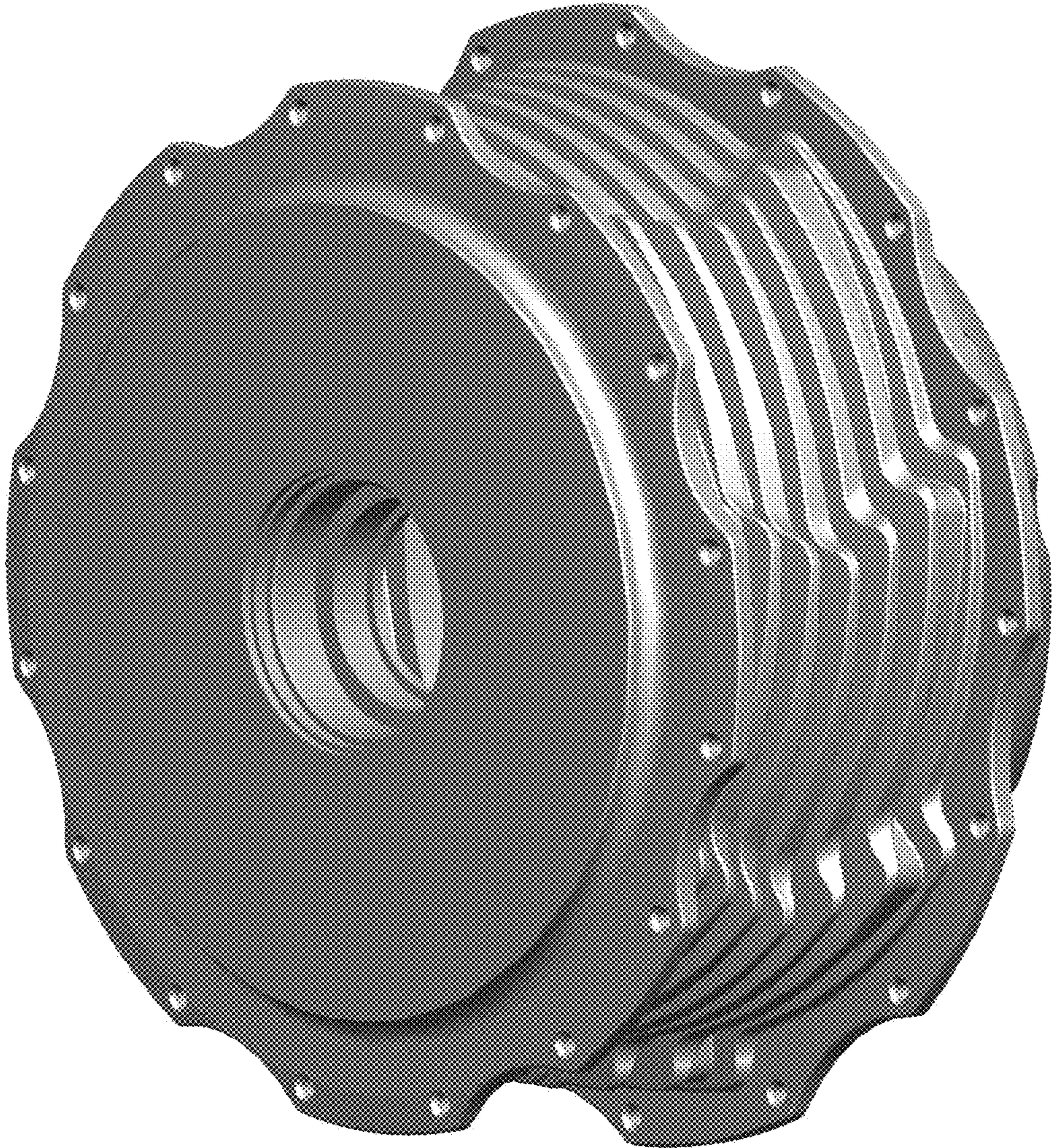


FIG. 5

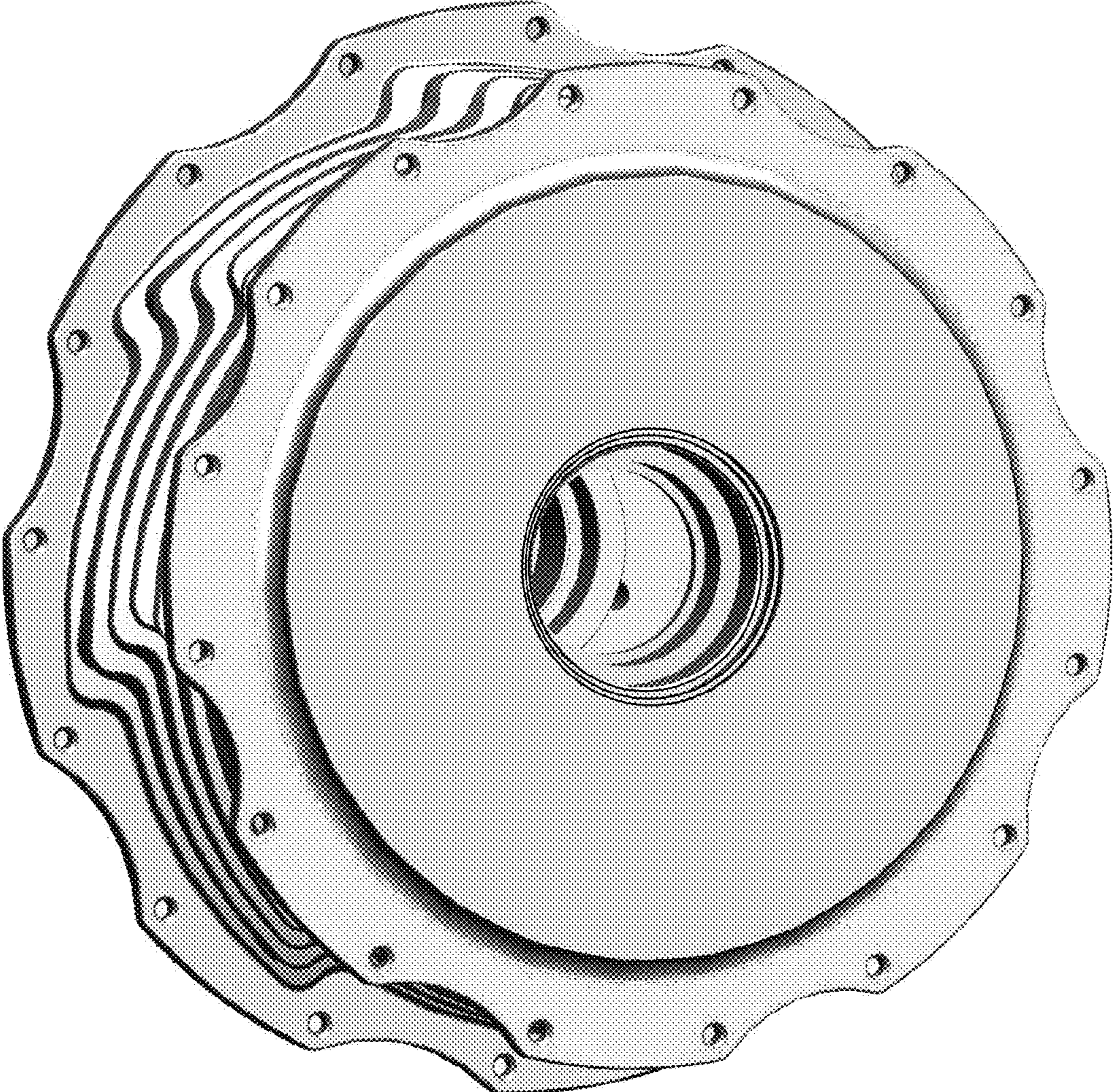


FIG. 6