



US00D721314S

(12) **United States Design Patent**
Platto et al.

(10) **Patent No.:** **US D721,314 S**
(45) **Date of Patent:** **** Jan. 20, 2015**

(54) **VEHICLE FENDER**

(71) Applicant: **Ford Motor Company**, Dearborn, MI (US)

(72) Inventors: **Gordon M. Platto**, Troy, MI (US);
Bradley A. Richards, Bloomfield Hills, MI (US); **Moray S. Callum**, Ann Arbor, MI (US); **Joel Piaskowski**, Brighton (AU); **John Kim**, Ann Arbor, MI (US); **William K. Moore**, West Bloomfield, MI (US)

(73) Assignee: **Ford Motor Company**, Dearborn, MI (US)

(**) Term: **14 Years**

(21) Appl. No.: **29/475,377**

(22) Filed: **Dec. 3, 2013**

(51) **LOC (10) Cl.** **12-16**

(52) **U.S. Cl.**
USPC **D12/184**

(58) **Field of Classification Search**
USPC D12/184, 196, 90-92, 181; 280/152.1, 280/847-849, 851; 296/181.1, 181.5
See application file for complete search history.

(56) **References Cited**

U.S. PATENT DOCUMENTS

D686,552 S *	7/2013	Weil	D12/184
D691,529 S *	10/2013	Minamisawa et al.	D12/184
D691,530 S *	10/2013	Song et al.	D12/184
D697,843 S *	1/2014	Suga et al.	D12/184
D699,649 S *	2/2014	Okue et al.	D12/184
D711,797 S *	8/2014	Tsuchida et al.	D12/184

* cited by examiner

Primary Examiner — Melody Brown

(74) *Attorney, Agent, or Firm* — Damian Porcari

(57) **CLAIM**

The ornamental design for a vehicle fender, as shown and described.

DESCRIPTION

FIG. 1 is a left side elevational view of a left vehicle fender (the right vehicle fender being a mirror image and is not shown);

FIG. 2 is a right side elevational view thereof;

FIG. 3 is a front elevational view thereof;

FIG. 4 is a rear elevational view thereof;

FIG. 5 is a top plan view thereof;

FIG. 6 is a bottom plan view thereof;

FIG. 7 is a top perspective view thereof; and,

FIG. 8 is a bottom perspective view thereof.

1 Claim, 8 Drawing Sheets

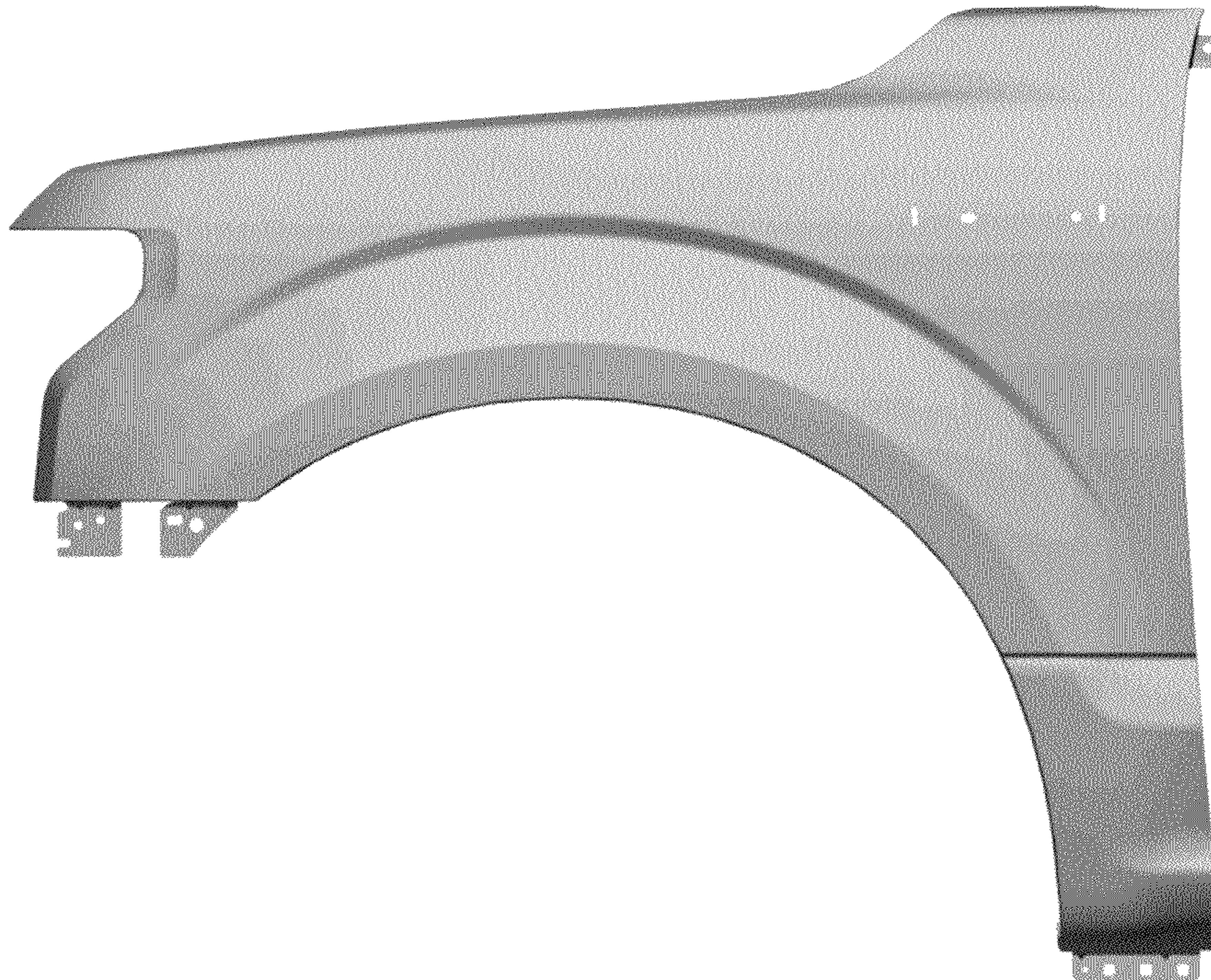




Figure 1

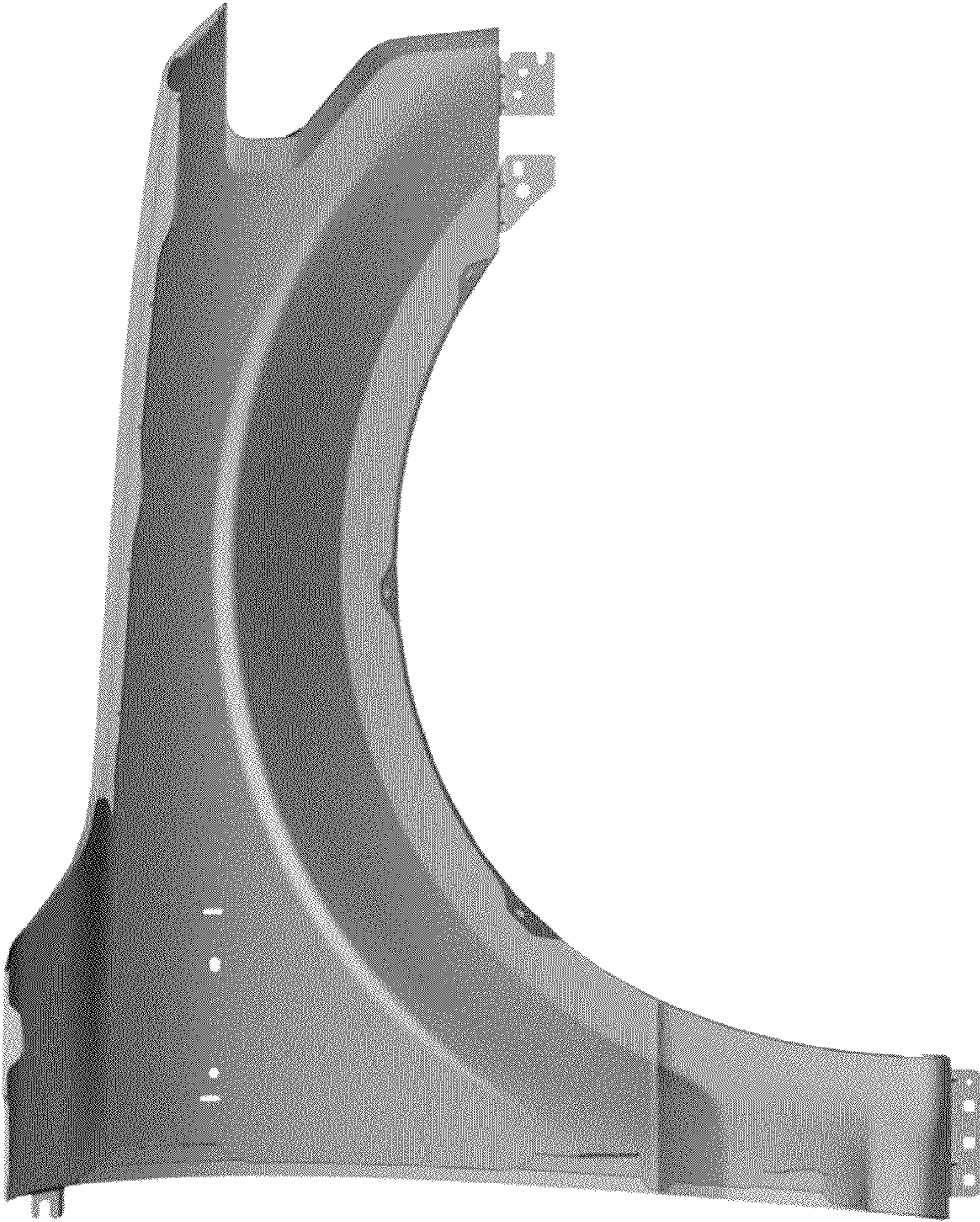
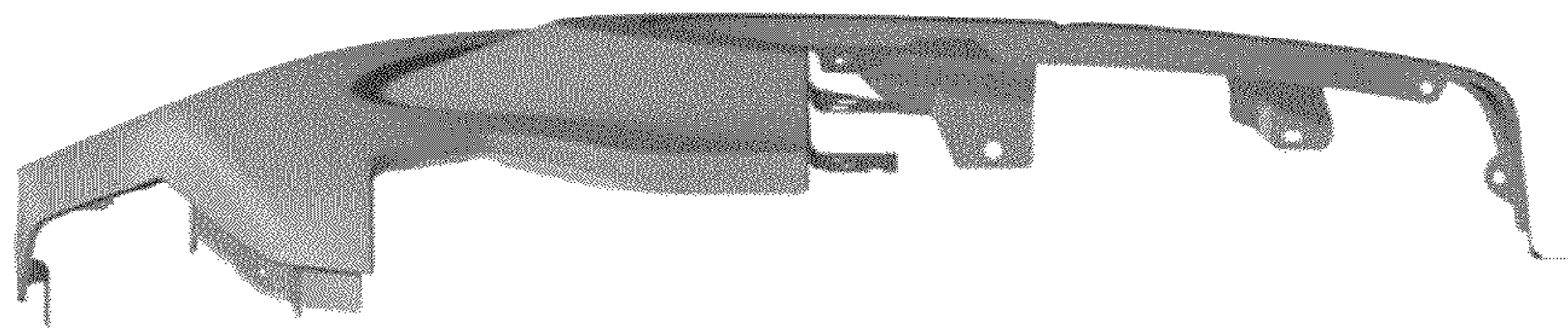


Figure 2

Figure 3



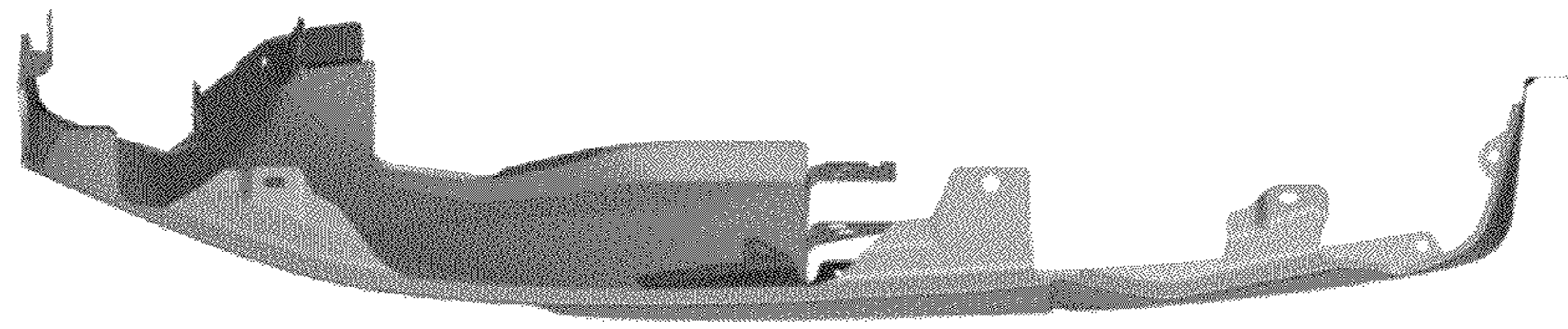


Figure 4

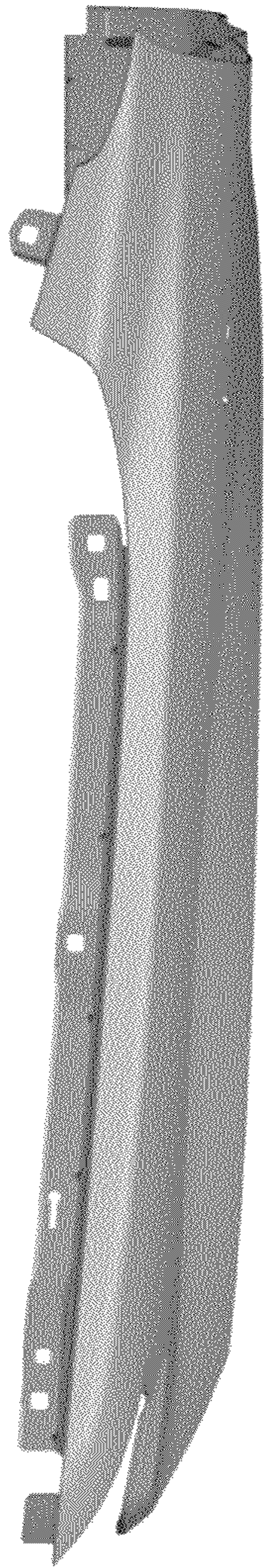


Figure 5

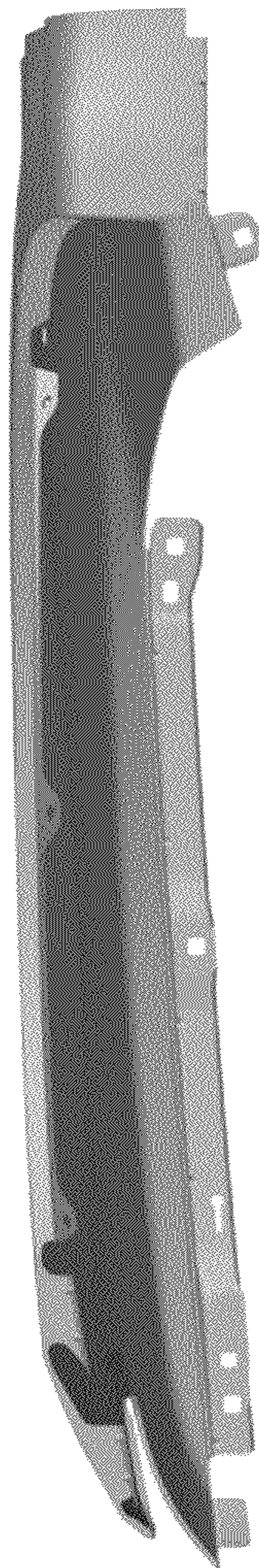


Figure 6

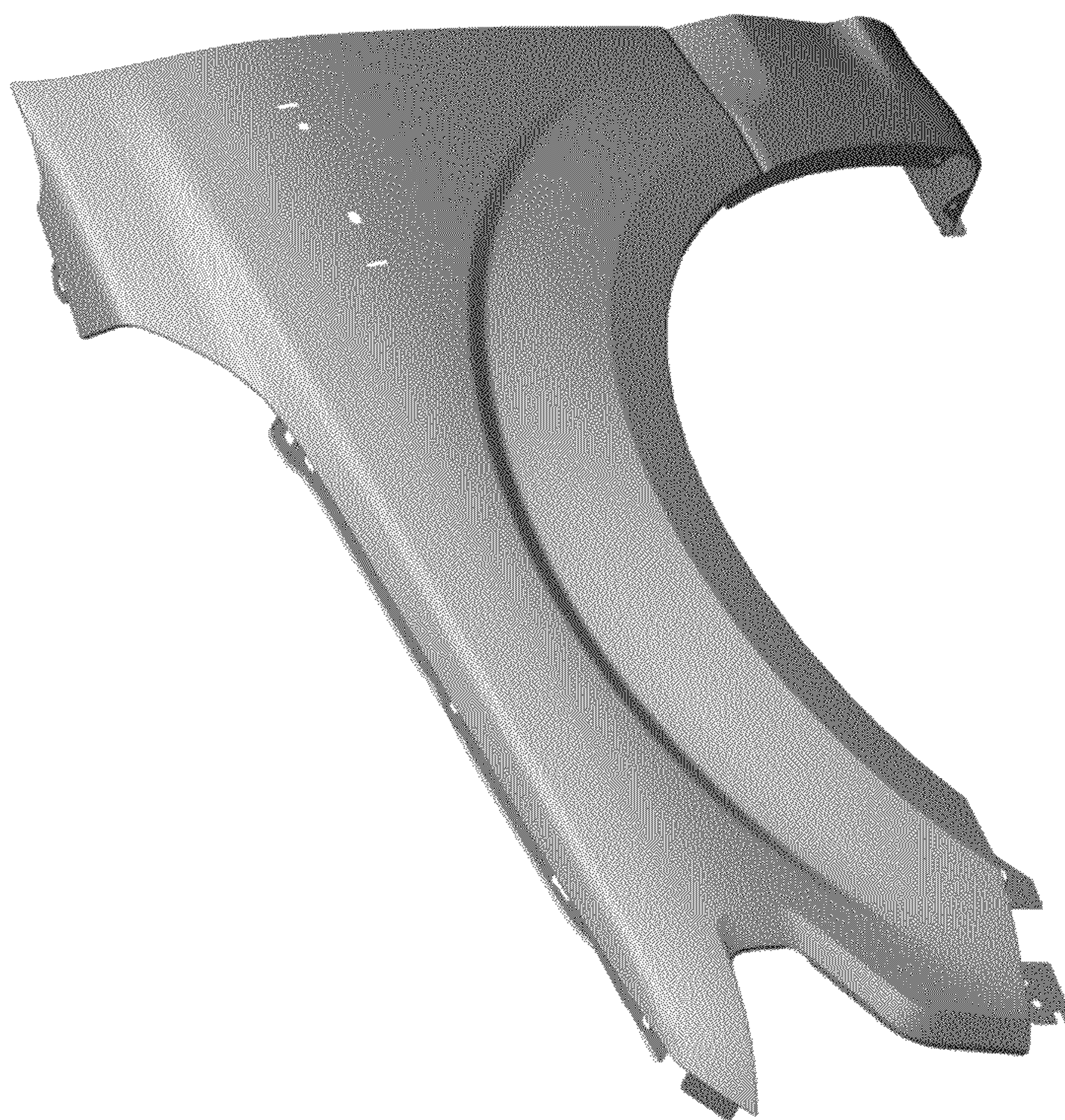


Figure 7



Figure 8