



US00D721300S

(12) **United States Design Patent**
Li et al.

(10) **Patent No.:** **US D721,300 S**
(45) **Date of Patent:** **** Jan. 20, 2015**

- (54) **FOUR WHEEL ALL-TERRAIN VEHICLE**
- (71) Applicants: **Hui Li**, Chongqing (CN); **Guanxiang Li**, Chongqing (CN)
- (72) Inventors: **Hui Li**, Chongqing (CN); **Guanxiang Li**, Chongqing (CN)
- (73) Assignee: **Chongqing Huansong Industries (Group) Co., Ltd.**, Chongqing (CN)
- (**) Term: **14 Years**
- (21) Appl. No.: **29/465,474**
- (22) Filed: **Aug. 28, 2013**
- (51) **LOC (10) Cl.** **12-11**
- (52) **U.S. Cl.**
USPC **D12/107**
- (58) **Field of Classification Search**
USPC D12/107, 181; D6/354; 180/233, 248, 180/311, 312, 89.2, 90.6, 247, 309, 89.1, 180/908; 297/195.13, 195.1, 195.12; 296/37.1, 64, 63; 224/275, 426, 488, 224/572; 280/124.135, 93.502, 781
See application file for complete search history.

| | | | |
|-------------------|---------|--------------------|------------|
| D592,557 S * | 5/2009 | Mehra | D12/107 |
| D595,188 S * | 6/2009 | Tandrup | D12/107 |
| D606,905 S * | 12/2009 | Yao | D12/107 |
| 7,743,864 B2 * | 6/2010 | Tweet | 180/89.1 |
| D628,520 S * | 12/2010 | Lin | D12/107 |
| D638,755 S * | 5/2011 | Bracy et al. | D12/107 |
| D640,604 S * | 6/2011 | Lai et al. | D12/107 |
| D640,605 S * | 6/2011 | Lai et al. | D12/107 |
| D643,781 S * | 8/2011 | Nagao et al. | D12/107 |
| D657,720 S * | 4/2012 | Eck et al. | D12/107 |
| D680,468 S * | 4/2013 | Li et al. | D12/107 |
| D680,469 S * | 4/2013 | Li et al. | D12/107 |
| D691,519 S * | 10/2013 | Fisher | D12/107 |
| 2012/0212013 A1 * | 8/2012 | Ripley et al. | 297/195.13 |

* cited by examiner

Primary Examiner — Eric Goodman
Assistant Examiner — Ryan Harvey
(74) *Attorney, Agent, or Firm* — Locke Lord LLP

(57) **CLAIM**

The ornamental design for a four wheel all-terrain vehicle, as shown and described.

DESCRIPTION

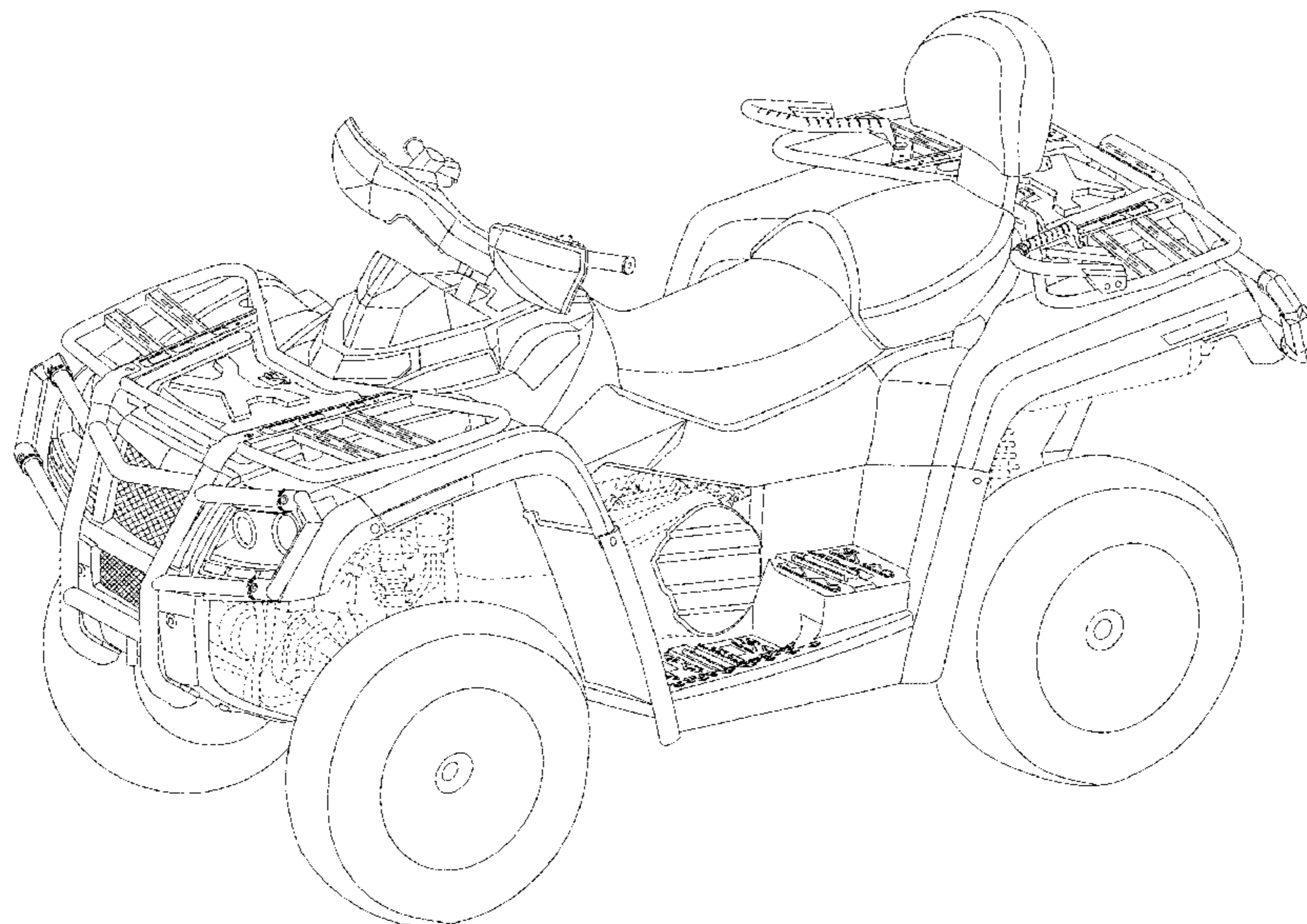
FIG. 1 is a front-left perspective view of the four wheel all-terrain vehicle showing the new design thereof; FIG. 2 is a front-right perspective view thereof; FIG. 3 is a left side view thereof; FIG. 4 is a right side view thereof; FIG. 5 is a top view thereof; FIG. 6 is a front view thereof; FIG. 7 is a rear view thereof; FIG. 8 is a rear-left perspective view thereof; and, FIG. 9 is a rear-right perspective view thereof. The broken lines showing portions of the four wheel all-terrain vehicle are included for the purpose of illustrating environmental structure and form no part of the claimed design.

1 Claim, 9 Drawing Sheets

(56) **References Cited**

U.S. PATENT DOCUMENTS

| | | | |
|--------------|---------|----------------------|---------|
| D427,110 S * | 6/2000 | Saito et al. | D12/107 |
| D493,750 S * | 8/2004 | Crepeau et al. | D12/107 |
| D516,961 S * | 3/2006 | Itaya et al. | D12/107 |
| D522,924 S * | 6/2006 | Yokoyama et al. | D12/107 |
| D529,414 S * | 10/2006 | Wu et al. | D12/107 |
| D531,088 S * | 10/2006 | Lin | D12/107 |
| D532,339 S * | 11/2006 | Hishiki | D12/107 |
| D542,186 S * | 5/2007 | Lai et al. | D12/107 |
| D542,188 S * | 5/2007 | Miwa et al. | D12/107 |
| D546,246 S * | 7/2007 | Crepeau et al. | D12/107 |
| D561,064 S * | 2/2008 | Crepeau | D12/107 |
| D585,792 S * | 2/2009 | Chao et al. | D12/107 |



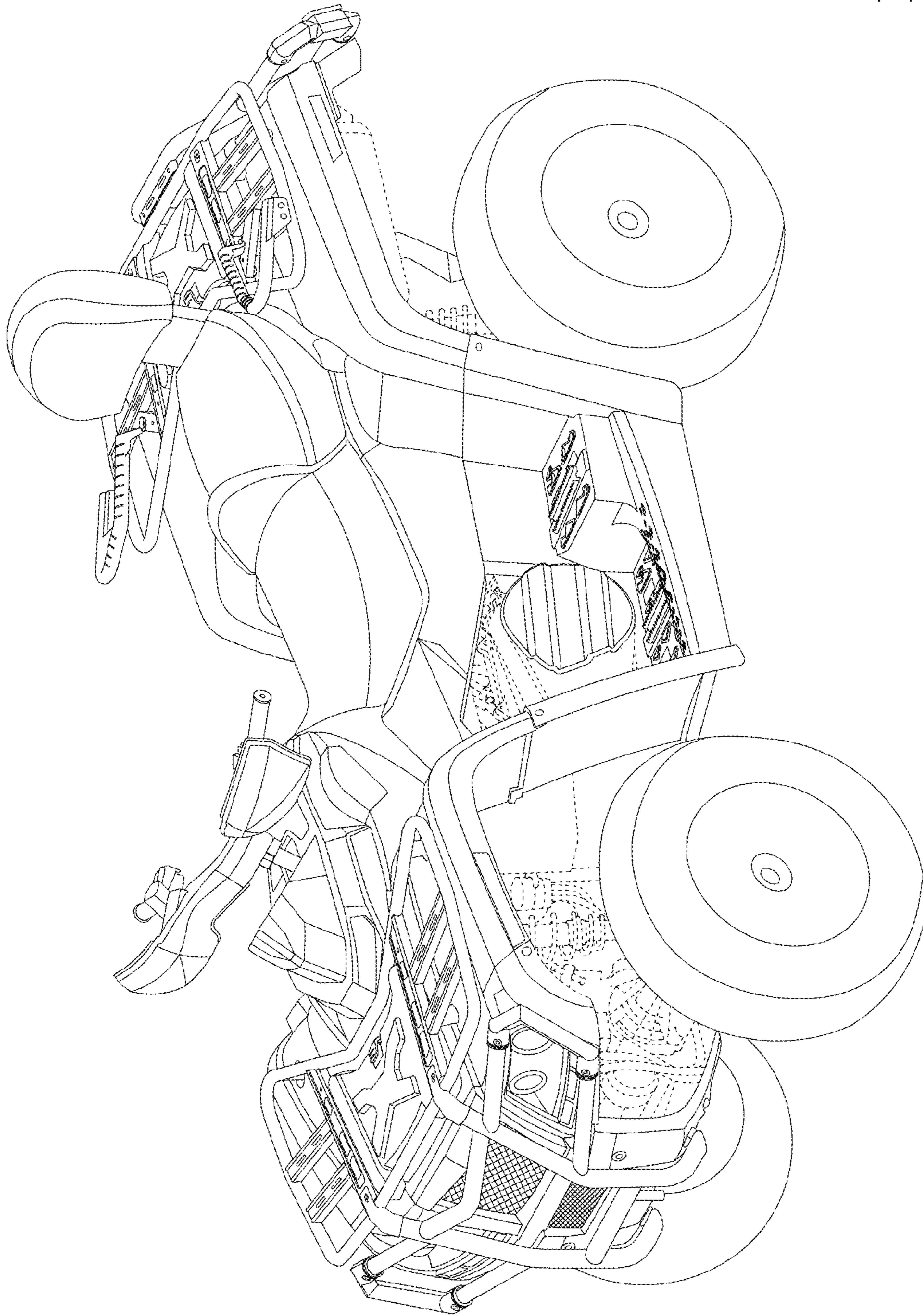


Fig. 1

Fig. 2

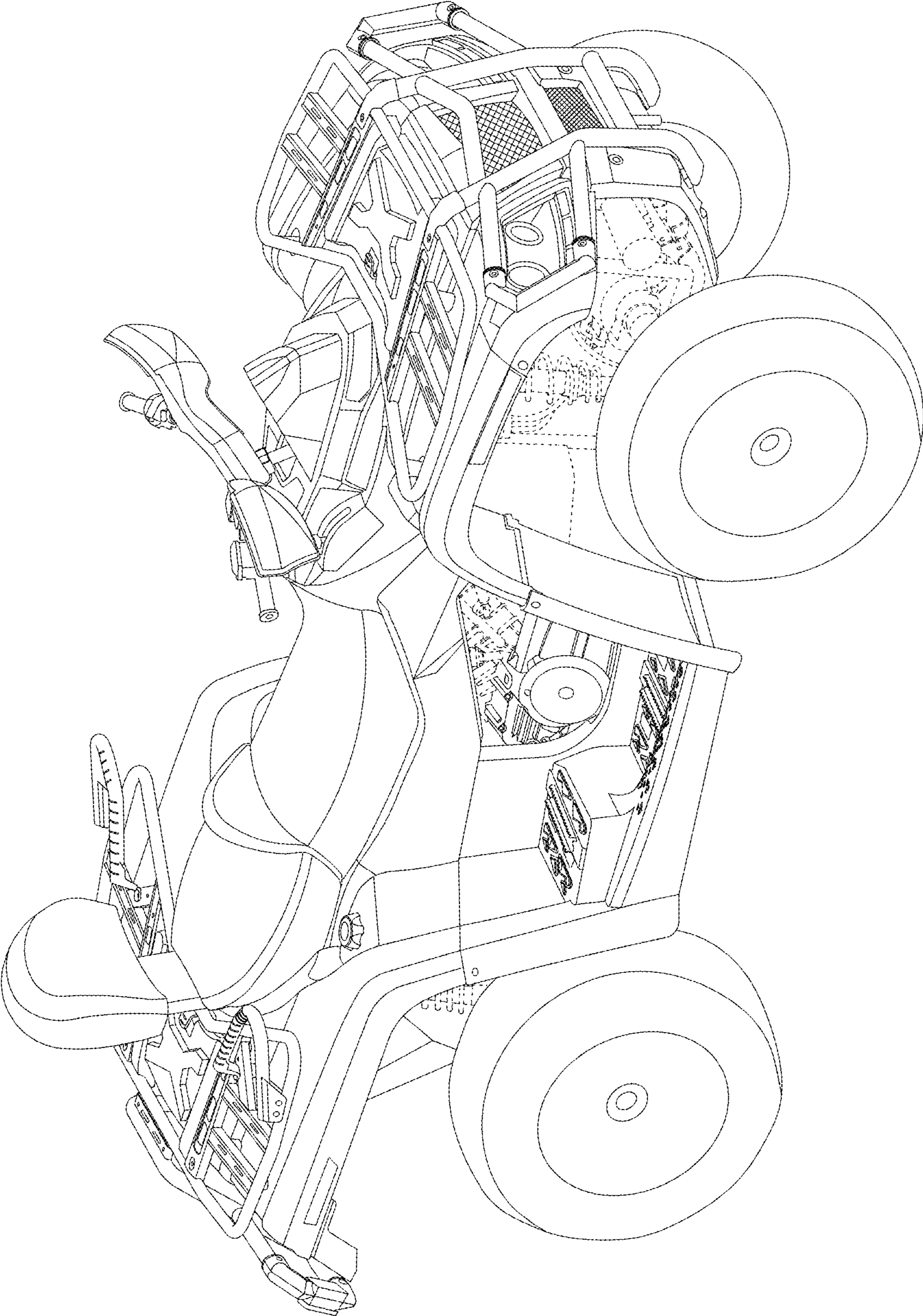


Fig. 3

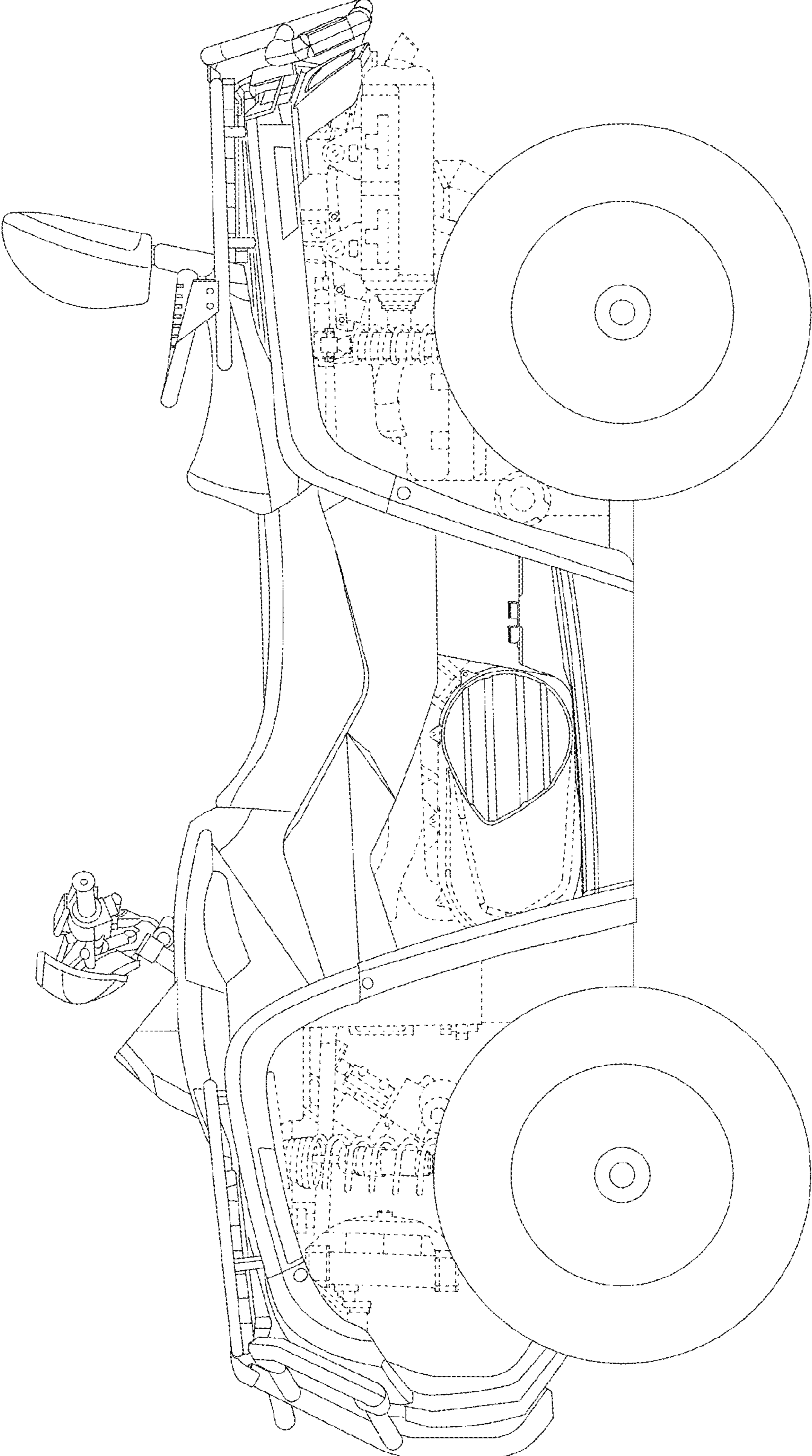
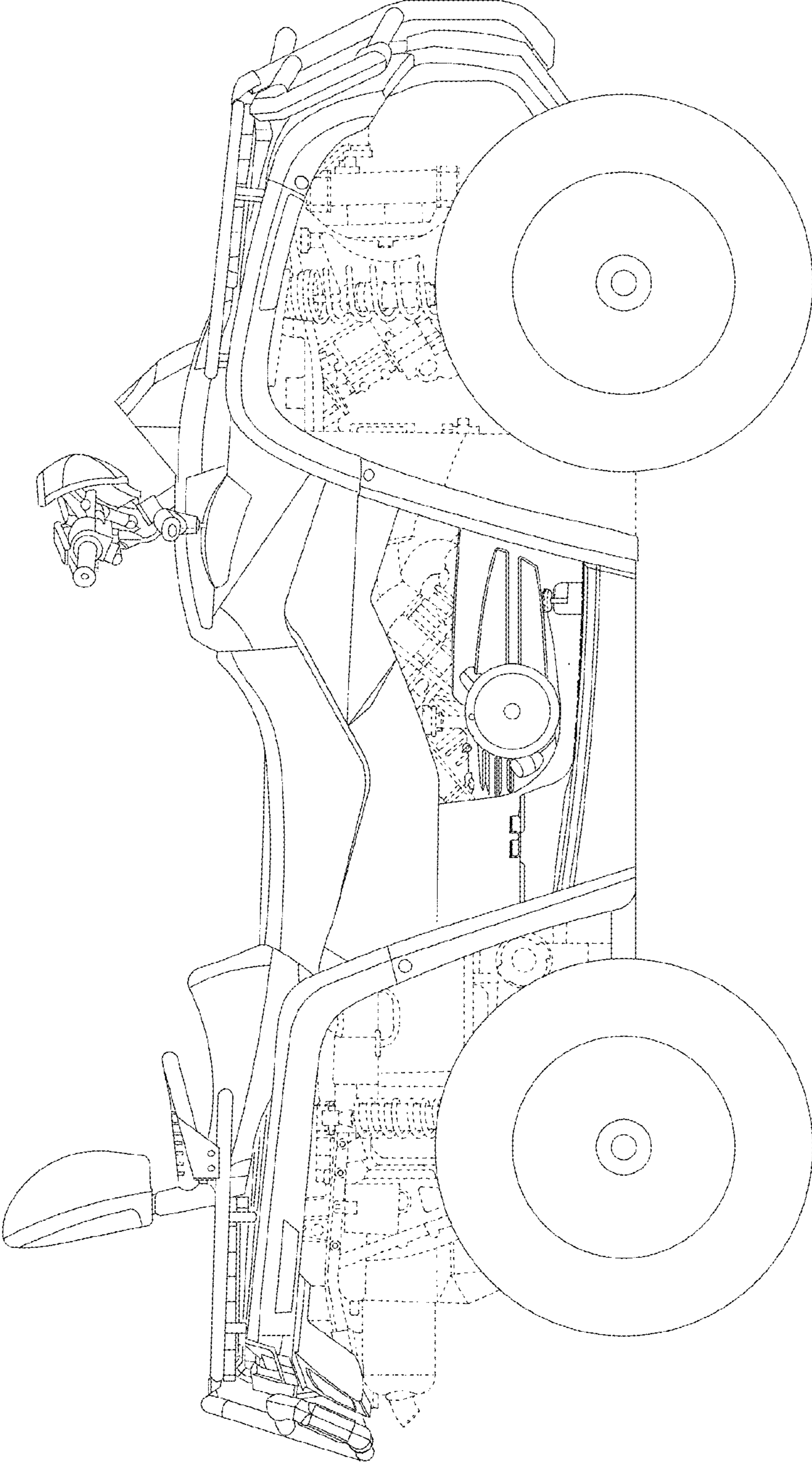


Fig. 4



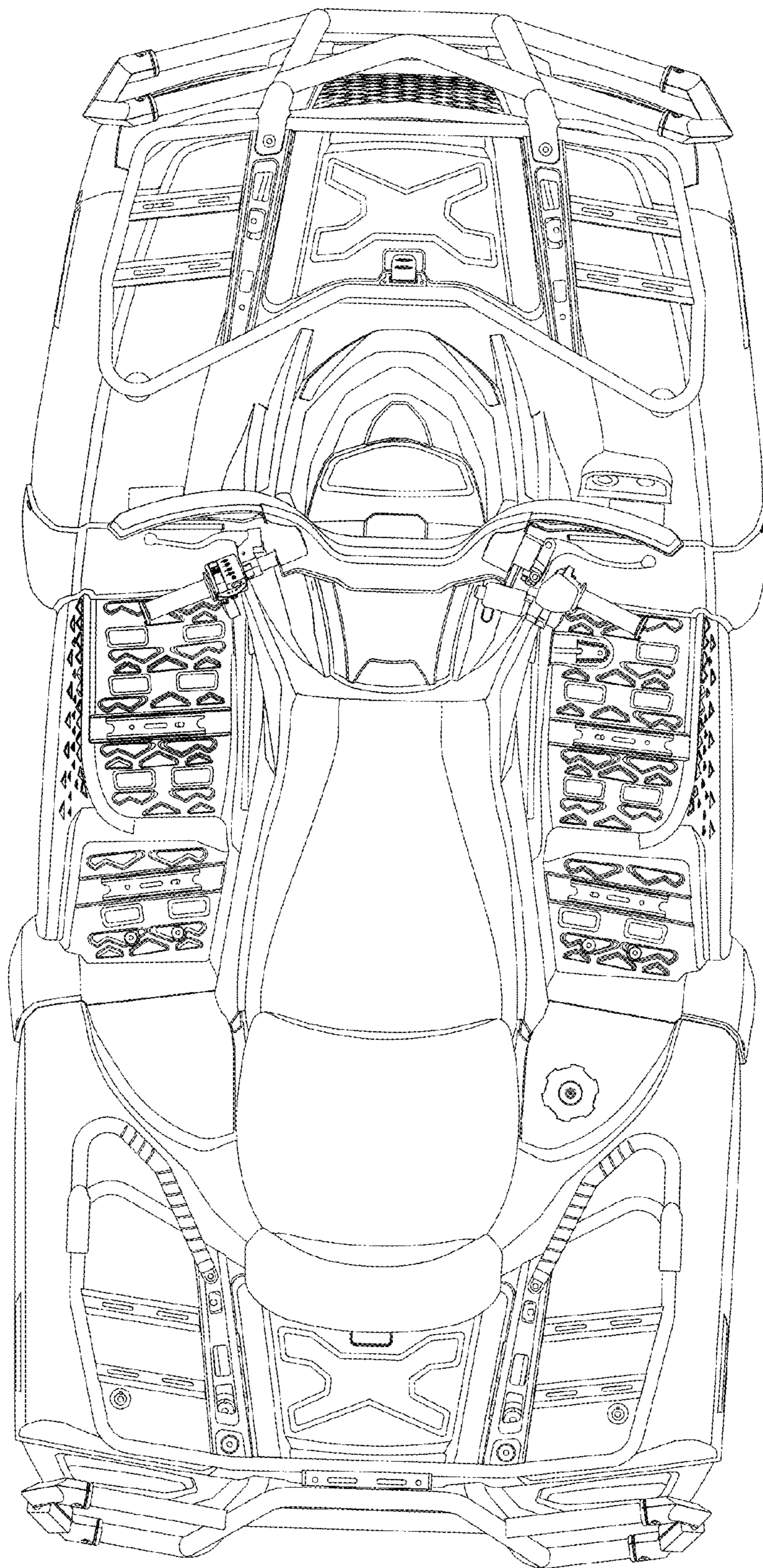


Fig. 5

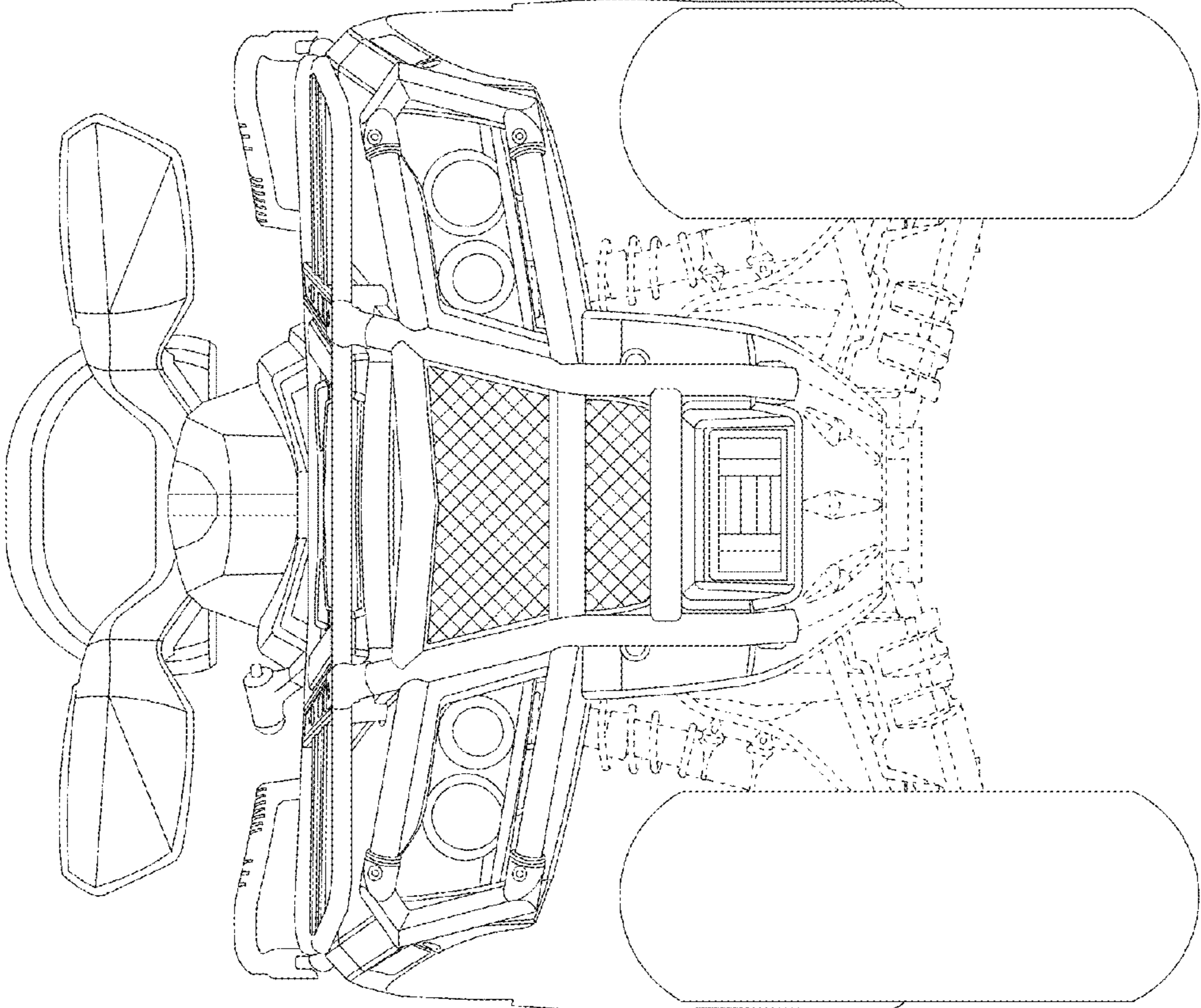


Fig. 6

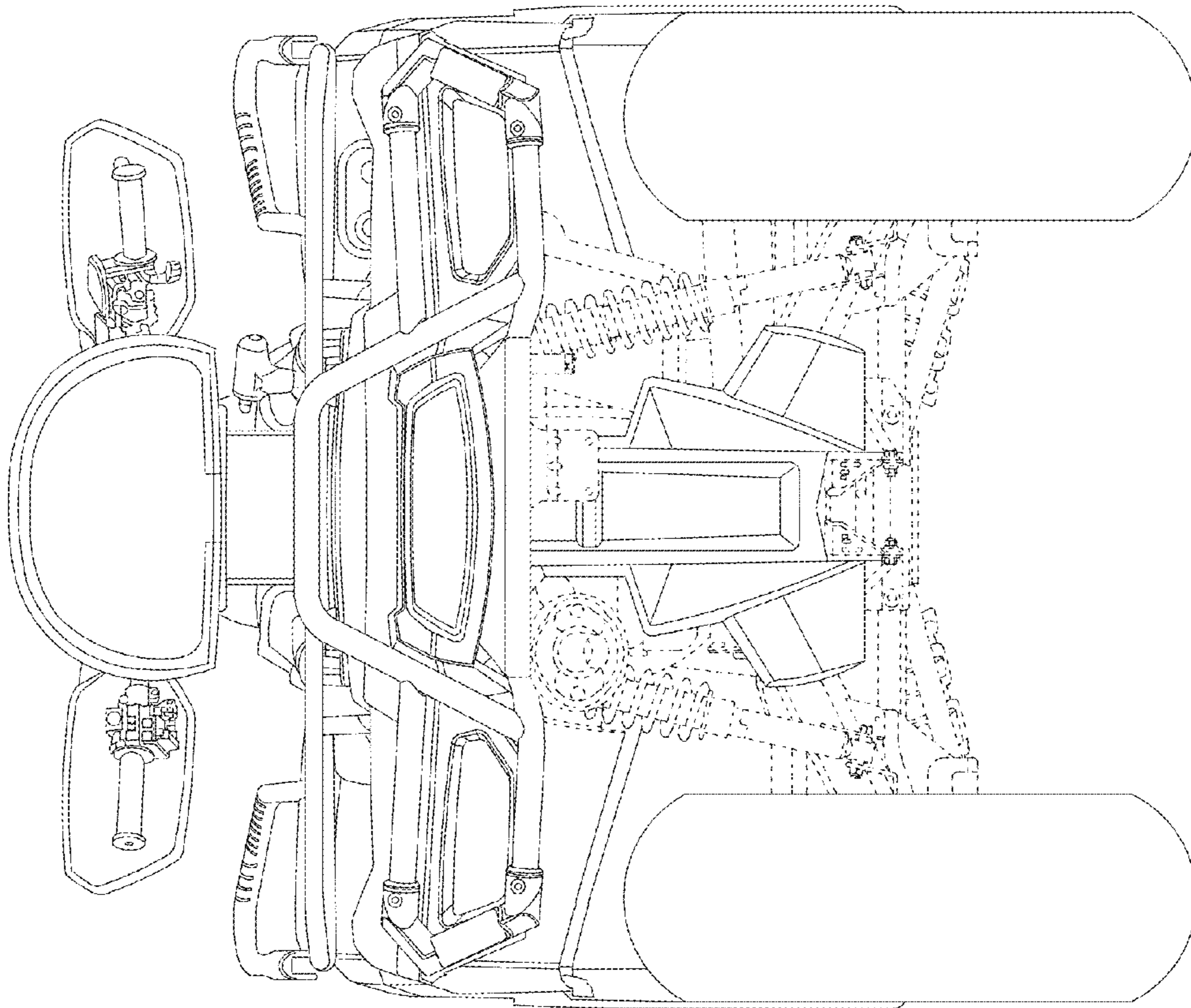


Fig. 7

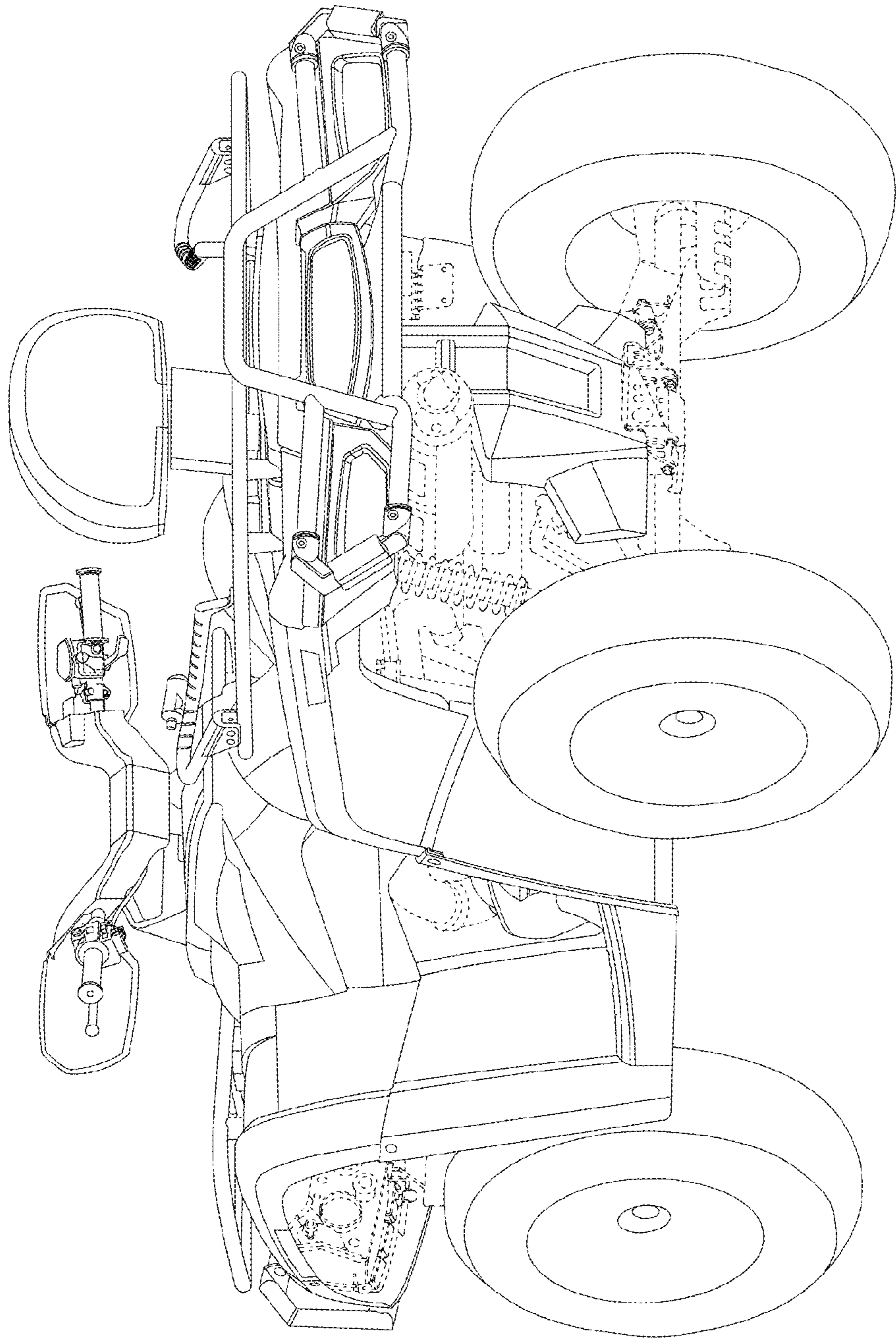


Fig. 8

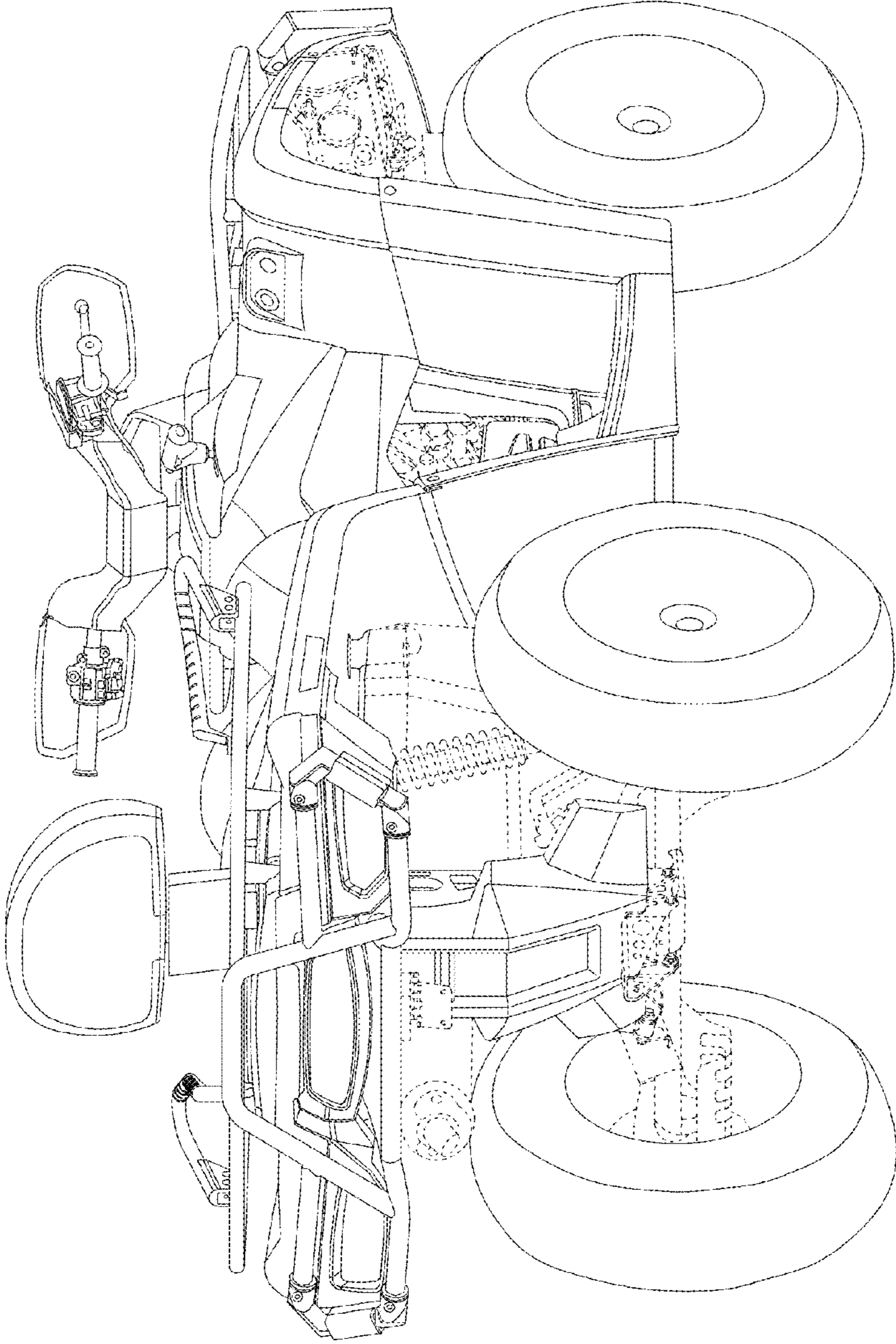


Fig. 9