

US00D721294S

(12) **United States Design Patent**
Cohen

(10) **Patent No.:** **US D721,294 S**

(45) **Date of Patent:** **** Jan. 20, 2015**

(54) **NOVELTY TOILET**

(76) **Inventor:** **Bruce E. Cohen**, Louisville, KY (US)

(**) **Term:** **14 Years**

(21) **Appl. No.:** **29/371,986**

(22) **Filed:** **Mar. 28, 2012**

(51) **LOC (10) Cl.** **11-02**

(52) **U.S. Cl.**
USPC **D11/131; D23/298**

(58) **Field of Classification Search**
USPC D11/131, 133, 134, 135, 152, 157, 158,
D11/164; D23/295, 301, 303, 309, 313;
4/300, 353, 420, DIG. 15; D30/161,
D30/199; 119/161-163, 165-170
See application file for complete search history.

(56) **References Cited**

U.S. PATENT DOCUMENTS

3,757,738	A *	9/1973	Hall	119/162
D353,229	S *	12/1994	Trigoboff et al.	D30/121
D355,056	S *	1/1995	Burnet	D30/132
D386,250	S *	11/1997	Garza	D23/301
D386,251	S *	11/1997	Laguera Garza	D23/301
D445,967	S *	7/2001	Keisner	D30/121

D457,607	S *	5/2002	Moll	D23/301
7,913,328	B2 *	3/2011	Halloran	4/353
D673,661	S *	1/2013	Iranyi et al.	D23/301
D678,485	S *	3/2013	Bickerstaffe et al.	D23/301
D678,486	S *	3/2013	Bickerstaffe et al.	D23/301
2011/0231989	A1 *	9/2011	O'Malley et al.	4/420

* cited by examiner

Primary Examiner — Michael A Pratt

Assistant Examiner — Michelle E Wilson

(74) *Attorney, Agent, or Firm* — H. Jay Spiegel

(57) **CLAIM**

The ornamental design for a novelty toilet, as shown and described.

DESCRIPTION

FIG. 1 shows a perspective view of my claimed design.
FIG. 2 shows a front view of my claimed design.
FIG. 3 shows a rear view of my claimed design.
FIG. 4 shows a right side view of my claimed design.
FIG. 5 shows a left side view of my claimed design.
FIG. 6 shows a top view of my claimed design.
FIG. 7 shows a bottom view of my claimed design; and,
FIG. 8 shows a perspective view similar to that of FIG. 1 but showing a removable portion of my claimed design.

1 Claim, 5 Drawing Sheets

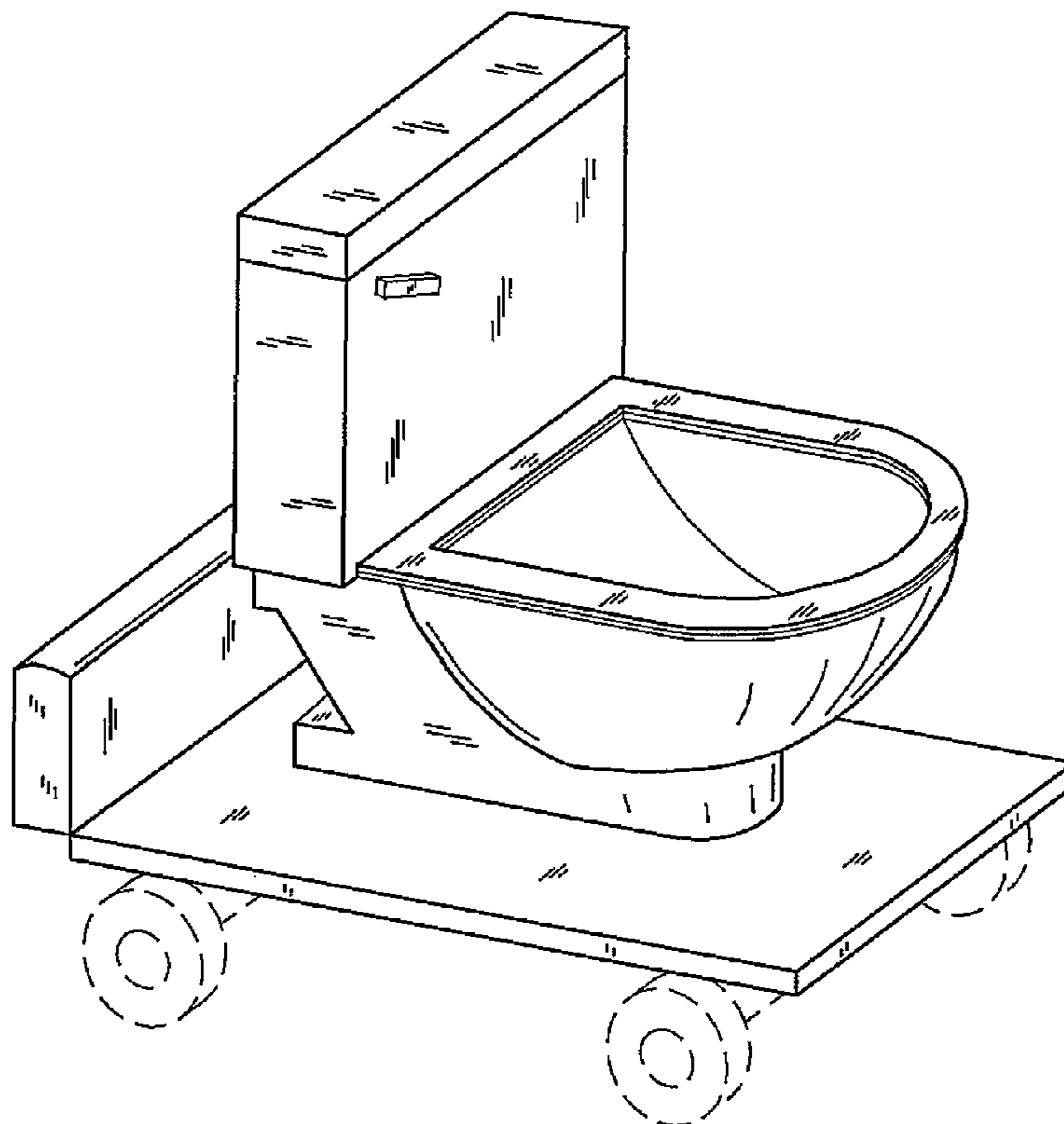


FIG. 1

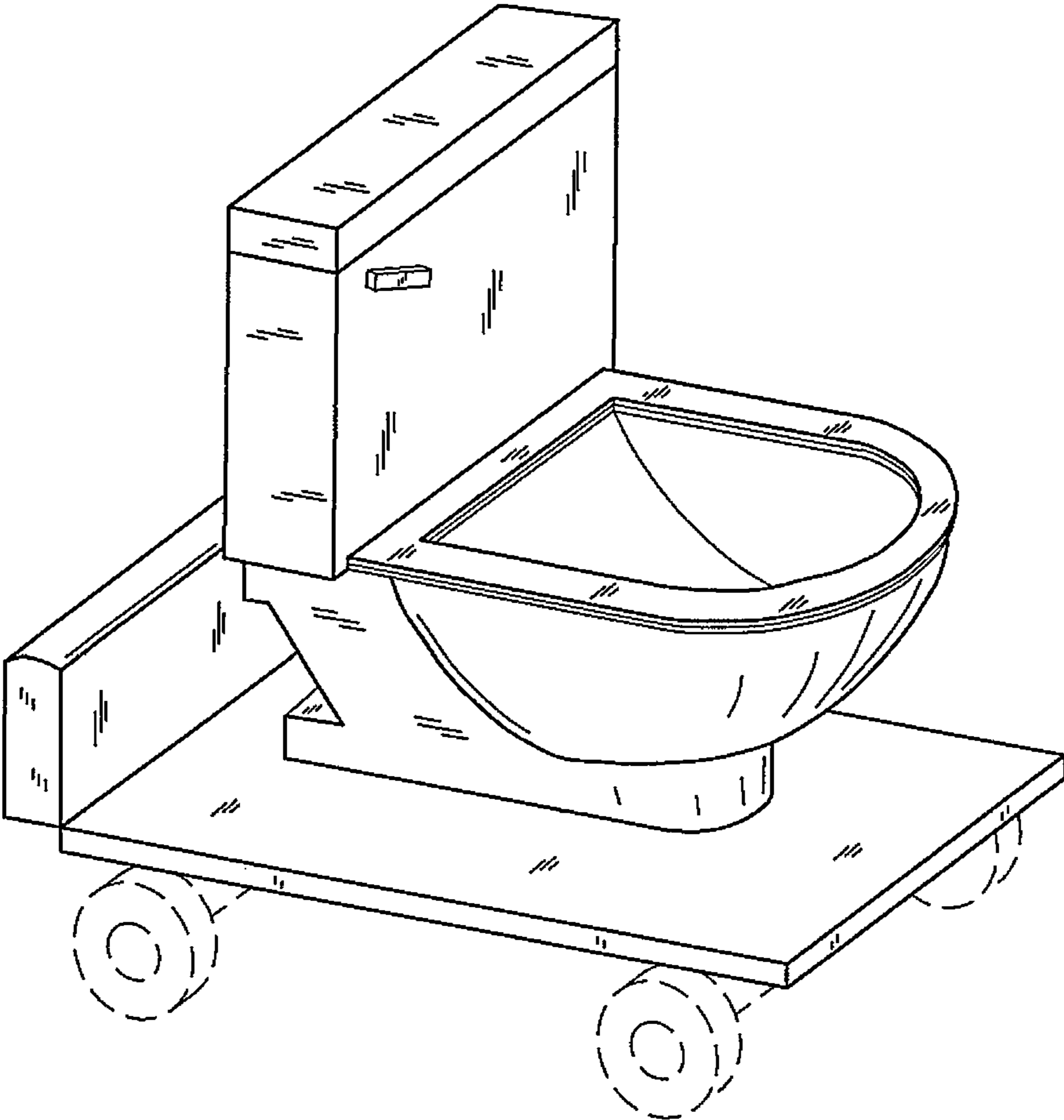


FIG. 2

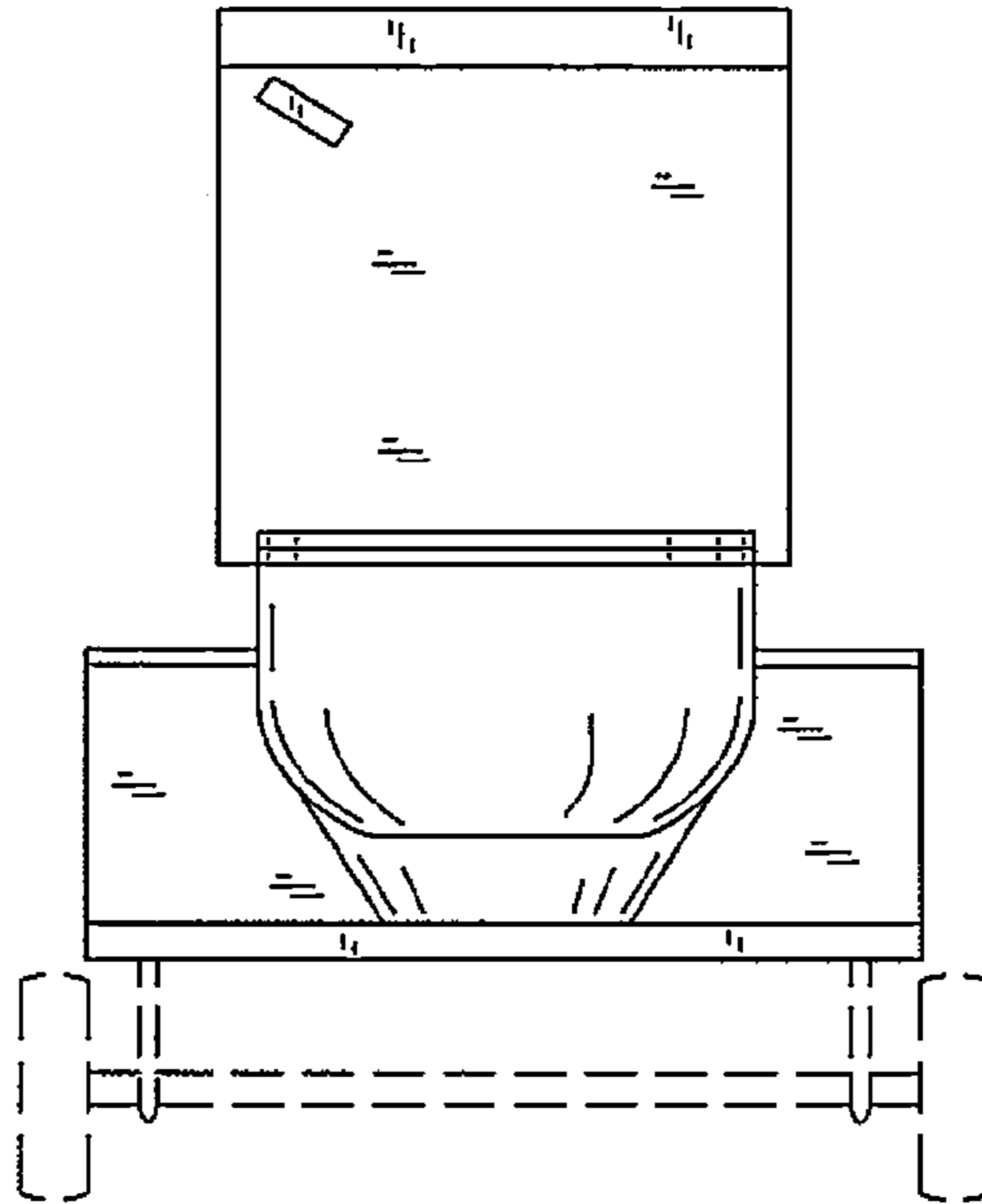


FIG. 3

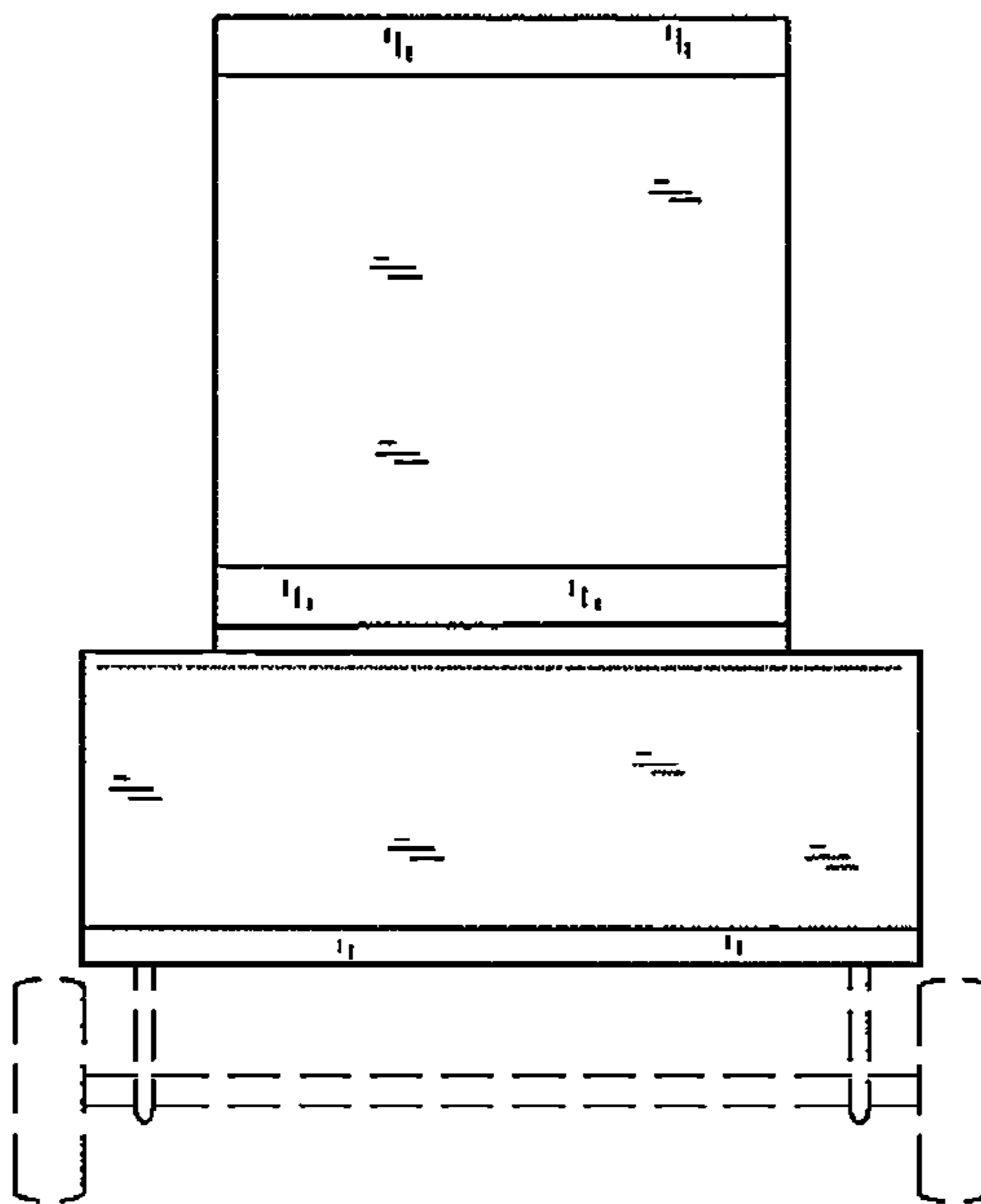


FIG. 4

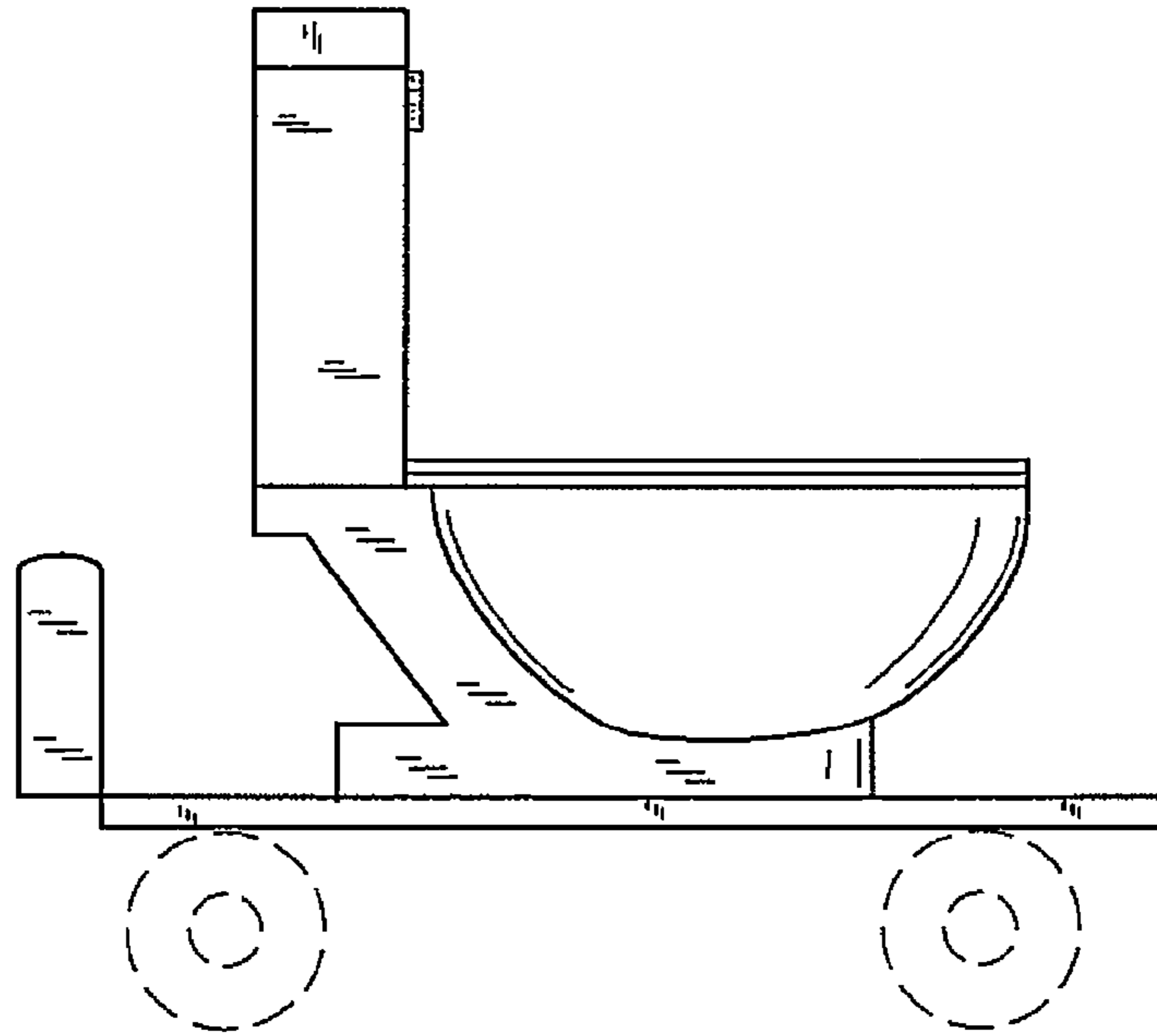


FIG. 5

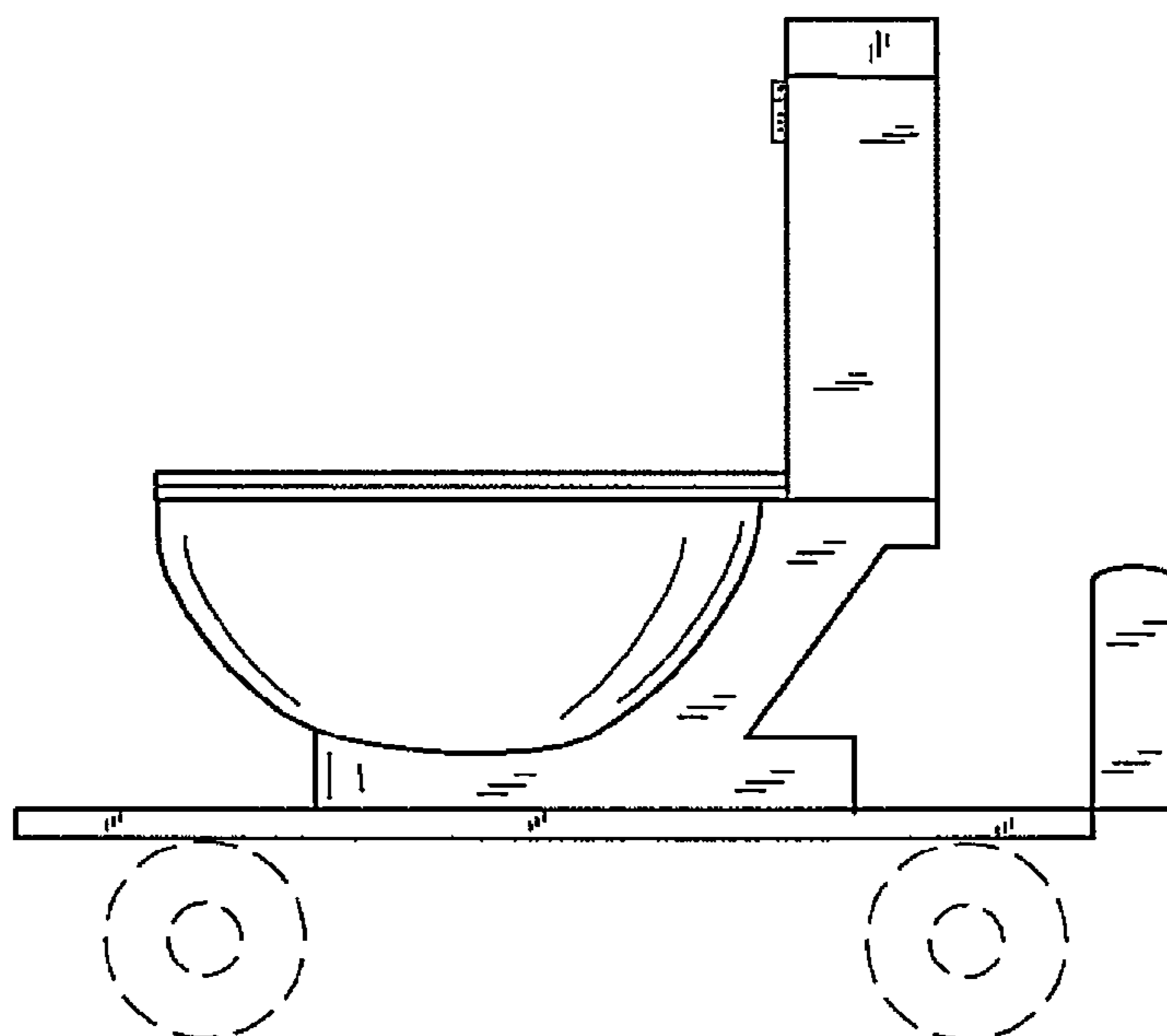


FIG. 6

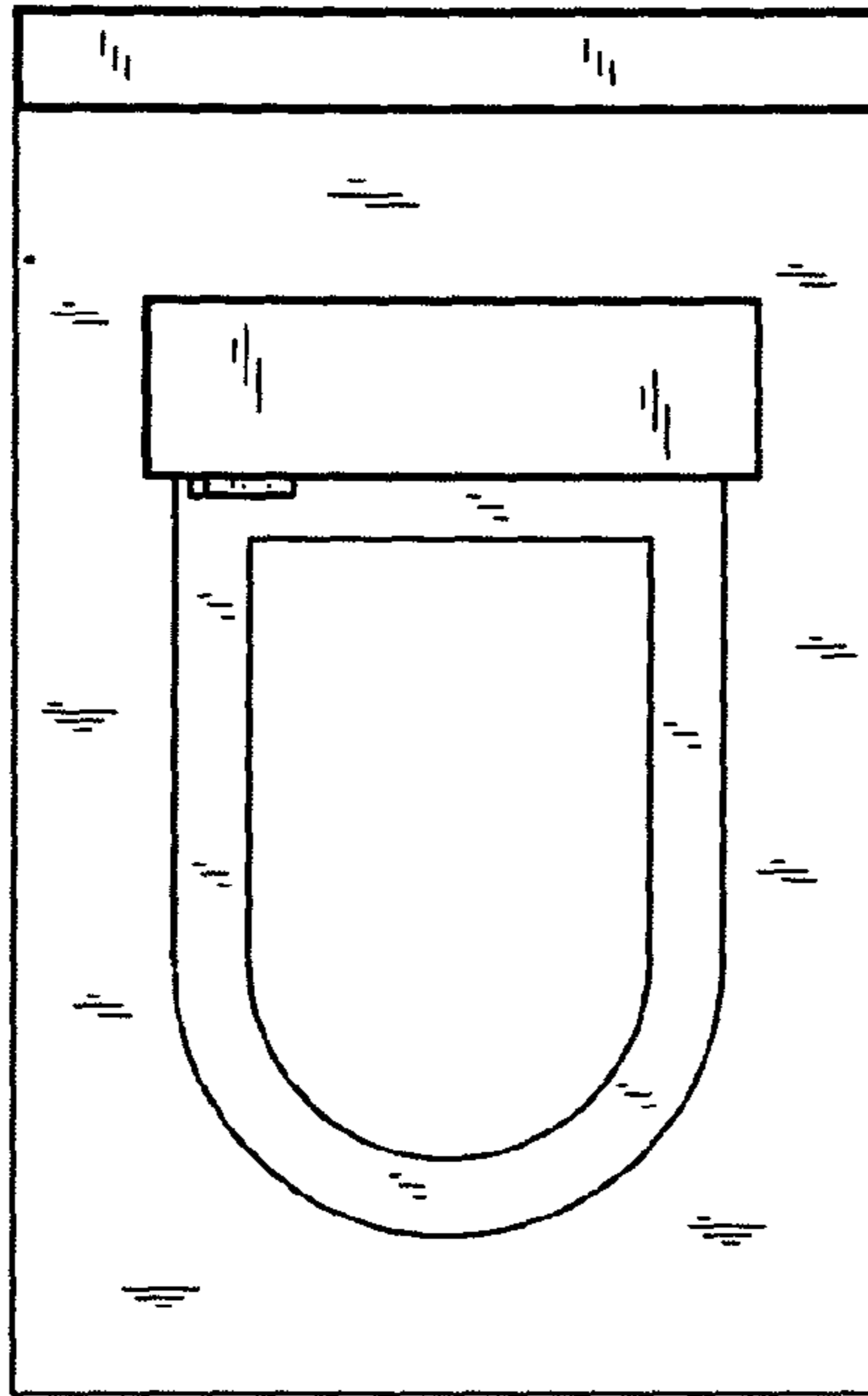


FIG. 7

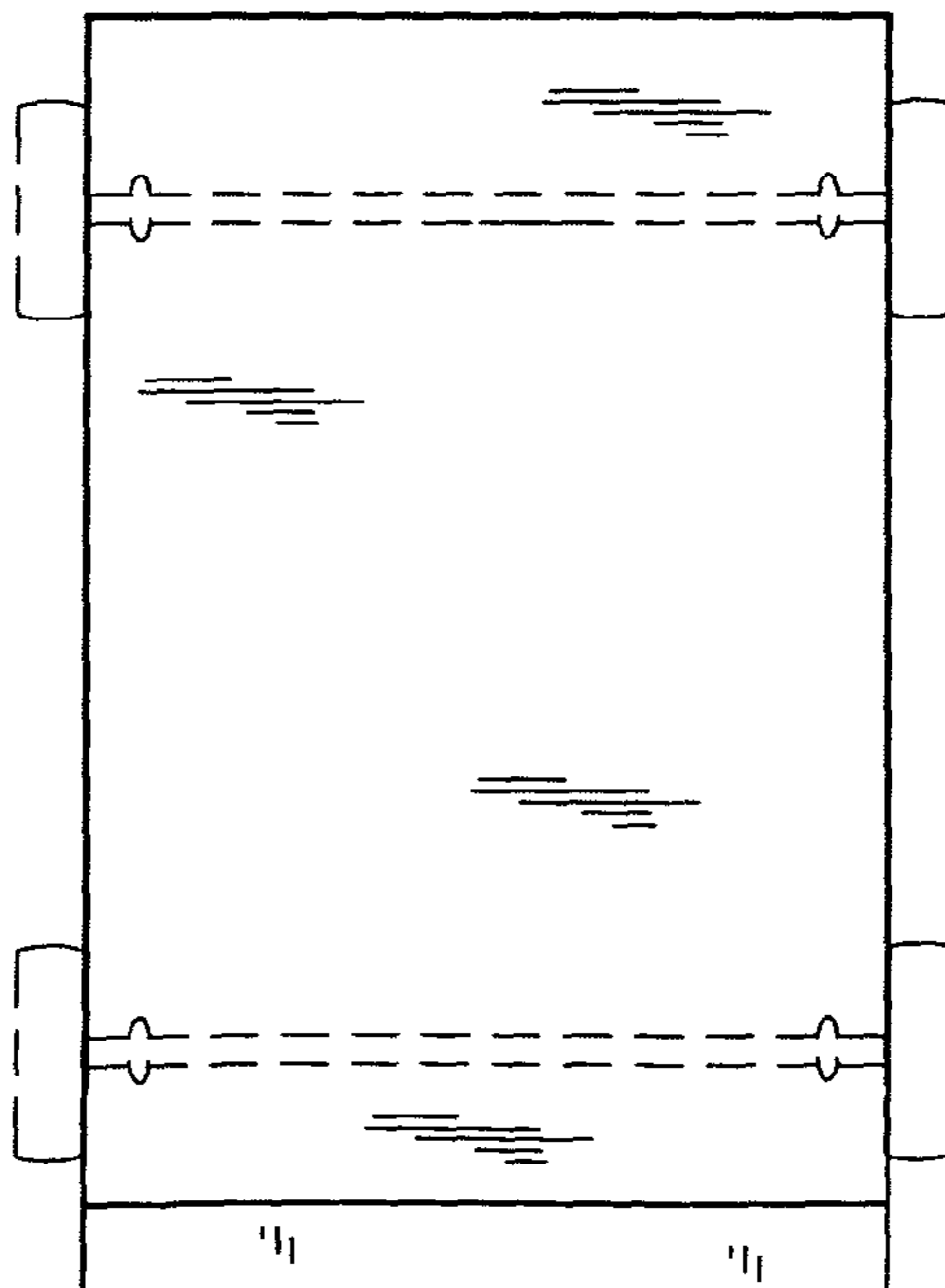


FIG. 8

