



US00D721291S

(12) **United States Design Patent**
Matsumiya et al.

(10) **Patent No.:** **US D721,291 S**
(45) **Date of Patent:** **** Jan. 20, 2015**

(54) **CALIPERS**

(71) Applicant: **Mitutoyo Corporation**, Kawasaki,
Kanagawa (JP)

(72) Inventors: **Sadayuki Matsumiya**, Kawasaki (JP);
Yoshiro Asano, Tokyo (JP); **Shigeru**
Ohtani, Kawasaki (JP); **Yoshiaki**
Shiraishi, Kawasaki (JP); **Kenji**
Iwamoto, Kawasaki (JP)

(73) Assignee: **Mitutoyo Corporation**, Kawasaki (JP)

(**) Term: **14 Years**

(21) Appl. No.: **29/471,892**

(22) Filed: **Nov. 6, 2013**

(30) **Foreign Application Priority Data**

Jun. 6, 2013 (JP) 2013-012679
Jun. 6, 2013 (JP) 2013-012765

(51) **LOC (10) Cl.** **10-04**

(52) **U.S. Cl.**
USPC **D10/80**

(58) **Field of Classification Search**
CPC G01B 3/20; G01B 3/205; G01B 5/24;
G01B 3/18; G01B 3/008
USPC D10/73, 74, 79, 80; 33/783-832,
33/DIG. 12
See application file for complete search history.

(56) **References Cited**

U.S. PATENT DOCUMENTS

D280,301 S * 8/1985 Nishina et al. D10/73
5,056,238 A * 10/1991 Chi 33/810
D332,920 S * 2/1993 Tiramani et al. D9/552
D334,719 S * 4/1993 Yeo D10/73
D377,912 S * 2/1997 Walser D10/73

D386,994 S * 12/1997 Reymond D10/73
D387,690 S * 12/1997 Reymond D10/73
D401,170 S * 11/1998 Reymond D10/73
D444,083 S * 6/2001 Ohtani et al. D10/73
D449,547 S * 10/2001 Reymond D10/73
D522,892 S * 6/2006 Reymond D10/73
D556,064 S * 11/2007 Yang et al. D10/73
D574,278 S * 8/2008 Zhang D10/73
D611,370 S * 3/2010 Ohtani et al. D10/73
D611,850 S * 3/2010 Ohtani et al. D10/73

(Continued)

Primary Examiner — Antoine D Davis

(74) *Attorney, Agent, or Firm* — Oliff PLC

(57) **CLAIM**

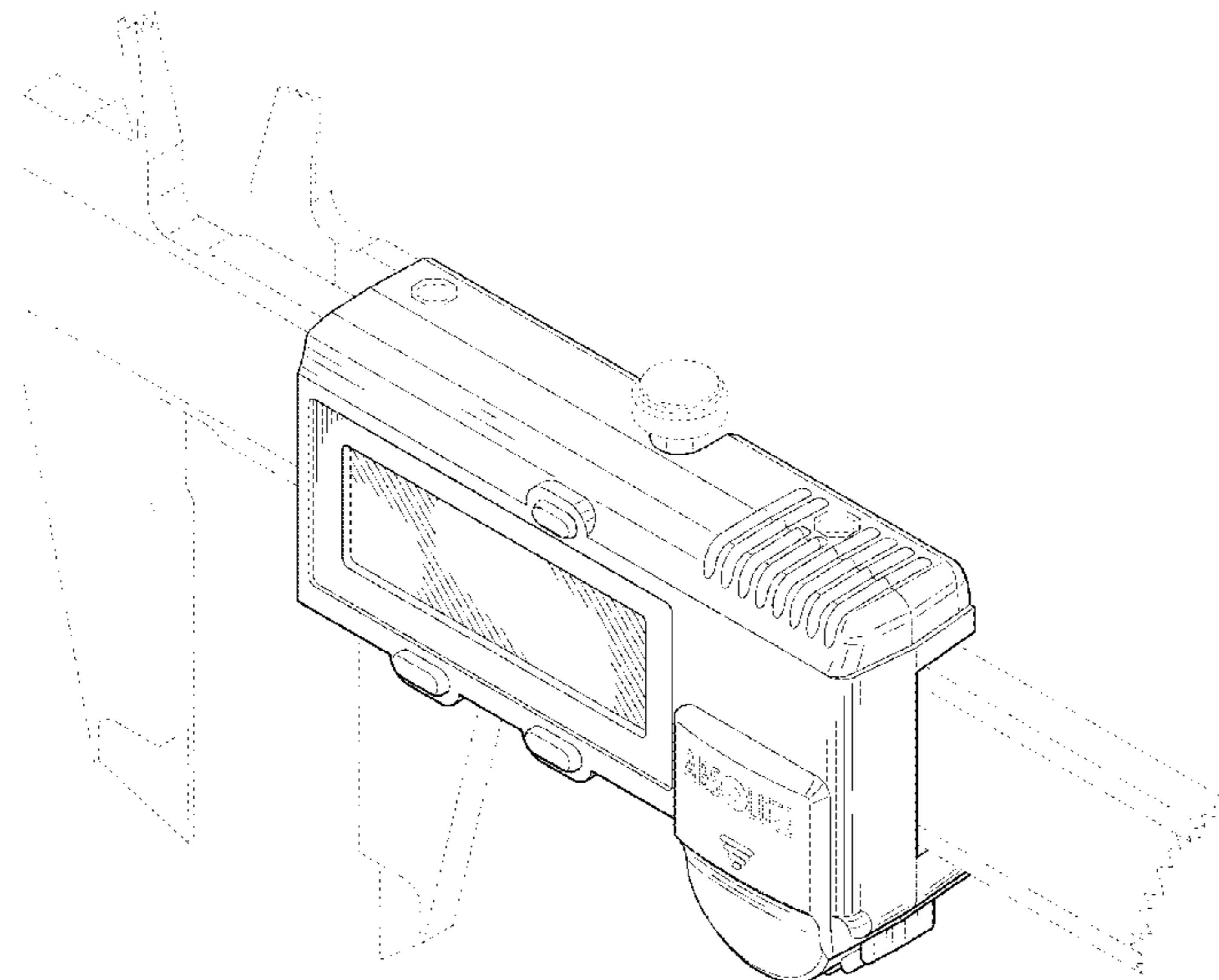
The ornamental design for calipers, as shown and described.

DESCRIPTION

FIG. 1 is a perspective view of a caliper;
FIG. 2 is an enlarged front view thereof;
FIG. 3 is an enlarged top view thereof;
FIG. 4 is an enlarged left side view thereof;
FIG. 5 is an enlarged right side view thereof;
FIG. 6 is an enlarged rear view thereof;
FIG. 7 is an enlarged bottom view thereof;
FIG. 8 is an enlarged perspective view of a portion of the
caliper;
FIG. 9 is a perspective view of a caliper in another embodi-
ment;
FIG. 10 is an enlarged front view thereof;
FIG. 11 is an enlarged top view thereof;
FIG. 12 is an enlarged left side view thereof;
FIG. 13 is an enlarged right side view thereof;
FIG. 14 is an enlarged rear view thereof;
FIG. 15 is an enlarged bottom view thereof; and,
FIG. 16 is an enlarged perspective view of a portion of the
caliper thereof.

The broken lines depict environmental subject matter only
and form no part of the claimed design.

1 Claim, 14 Drawing Sheets



US D721,291 S

Page 2

(56)

References Cited

U.S. PATENT DOCUMENTS

D662,842 S * 7/2012 Zhang D10/73
8,256,128 B2 * 9/2012 Kozykowski 33/534

D695,638 S * 12/2013 Zhang D10/73
D697,440 S * 1/2014 Zhang et al. D10/73
D699,605 S * 2/2014 Bixel et al. D10/73

* cited by examiner

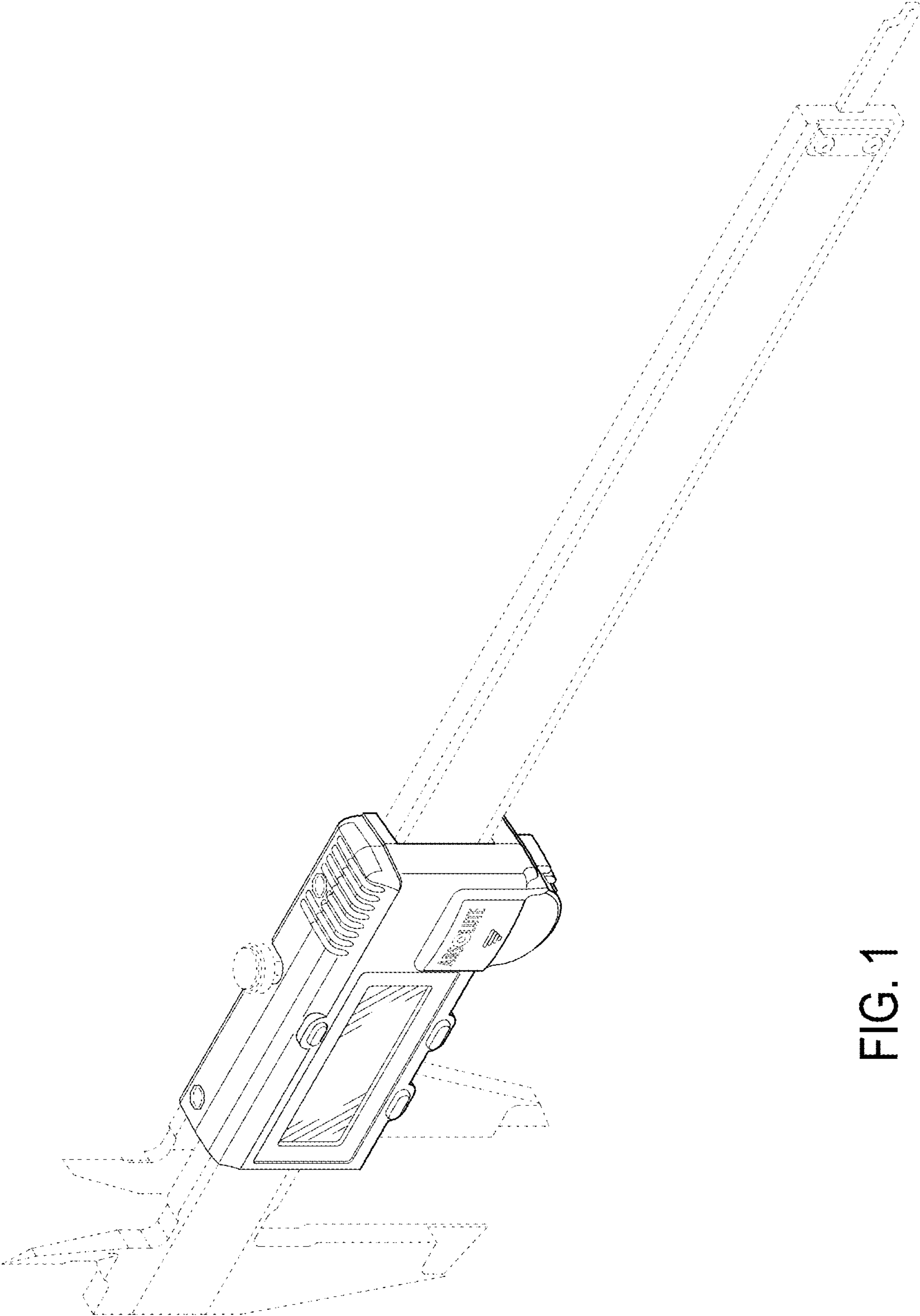


FIG. 1

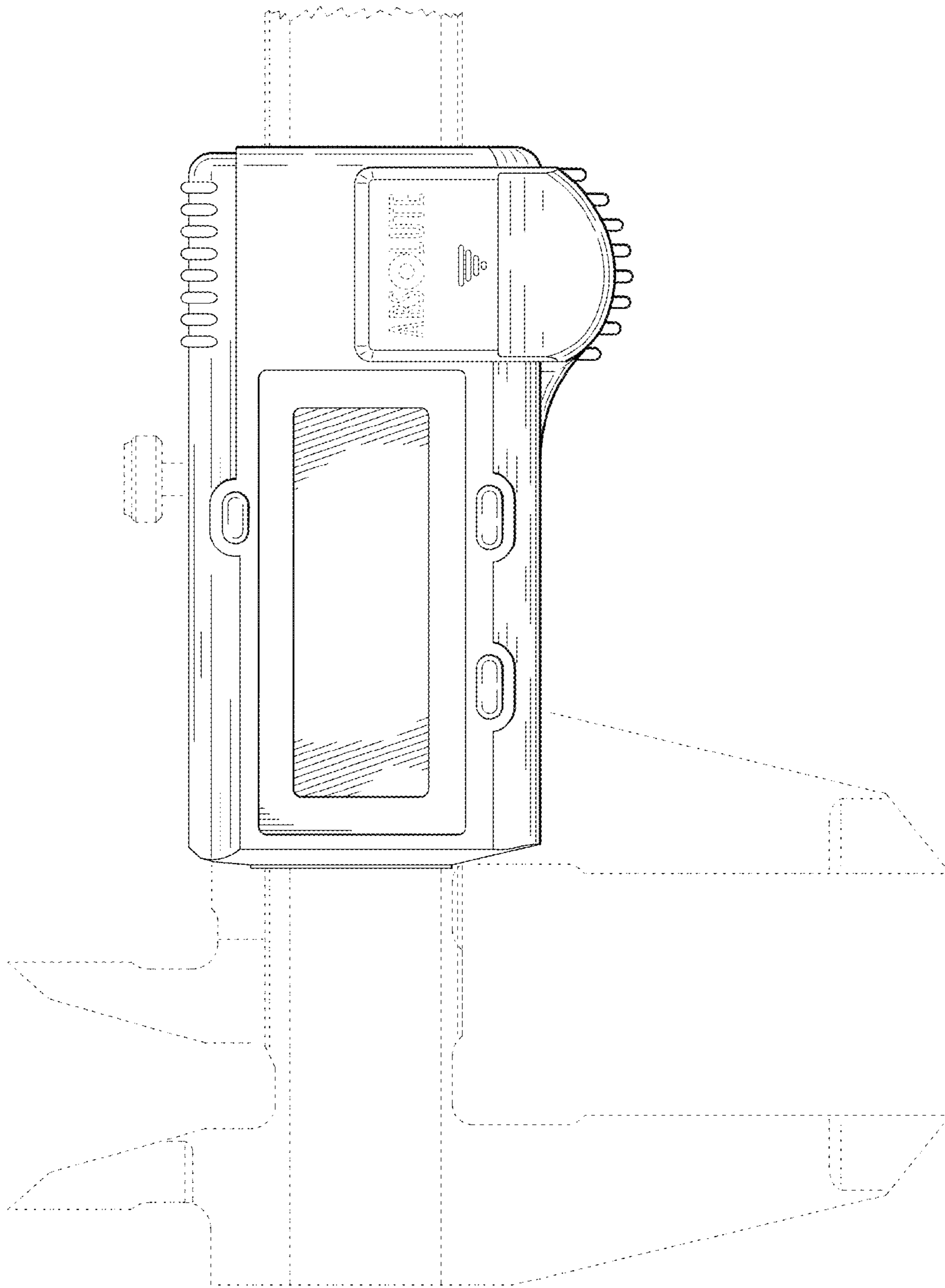


FIG. 2

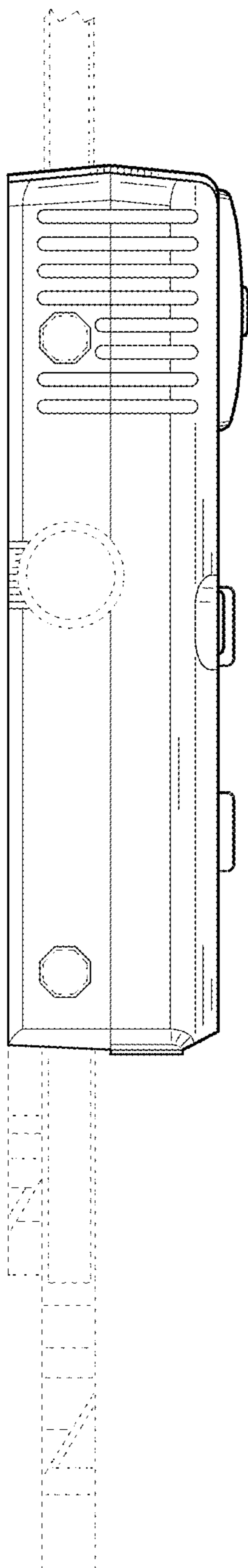


FIG. 3

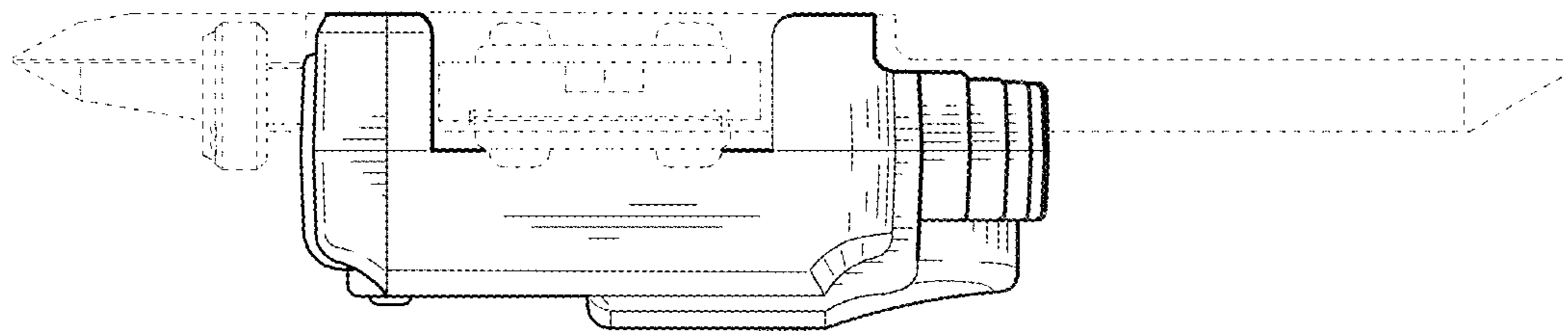


FIG. 5

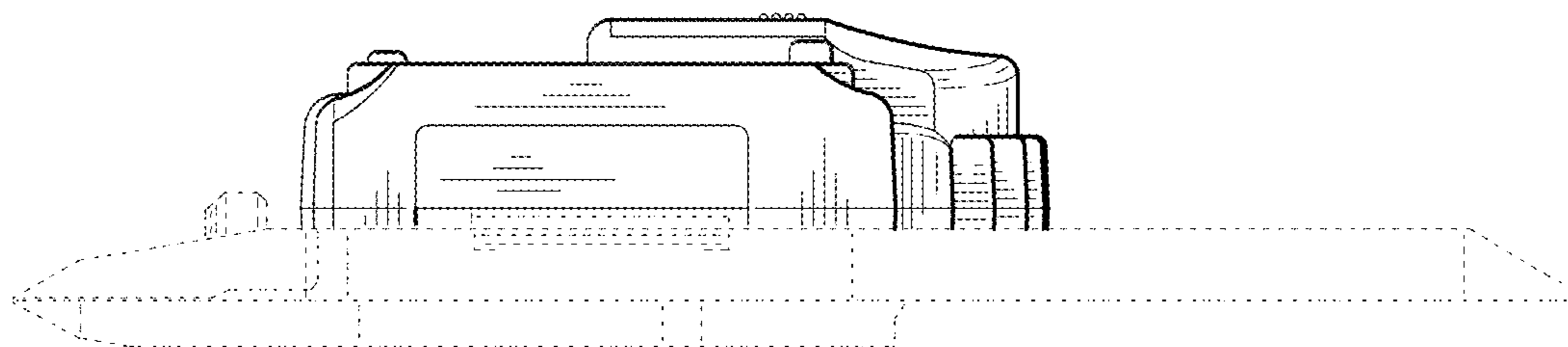


FIG. 4

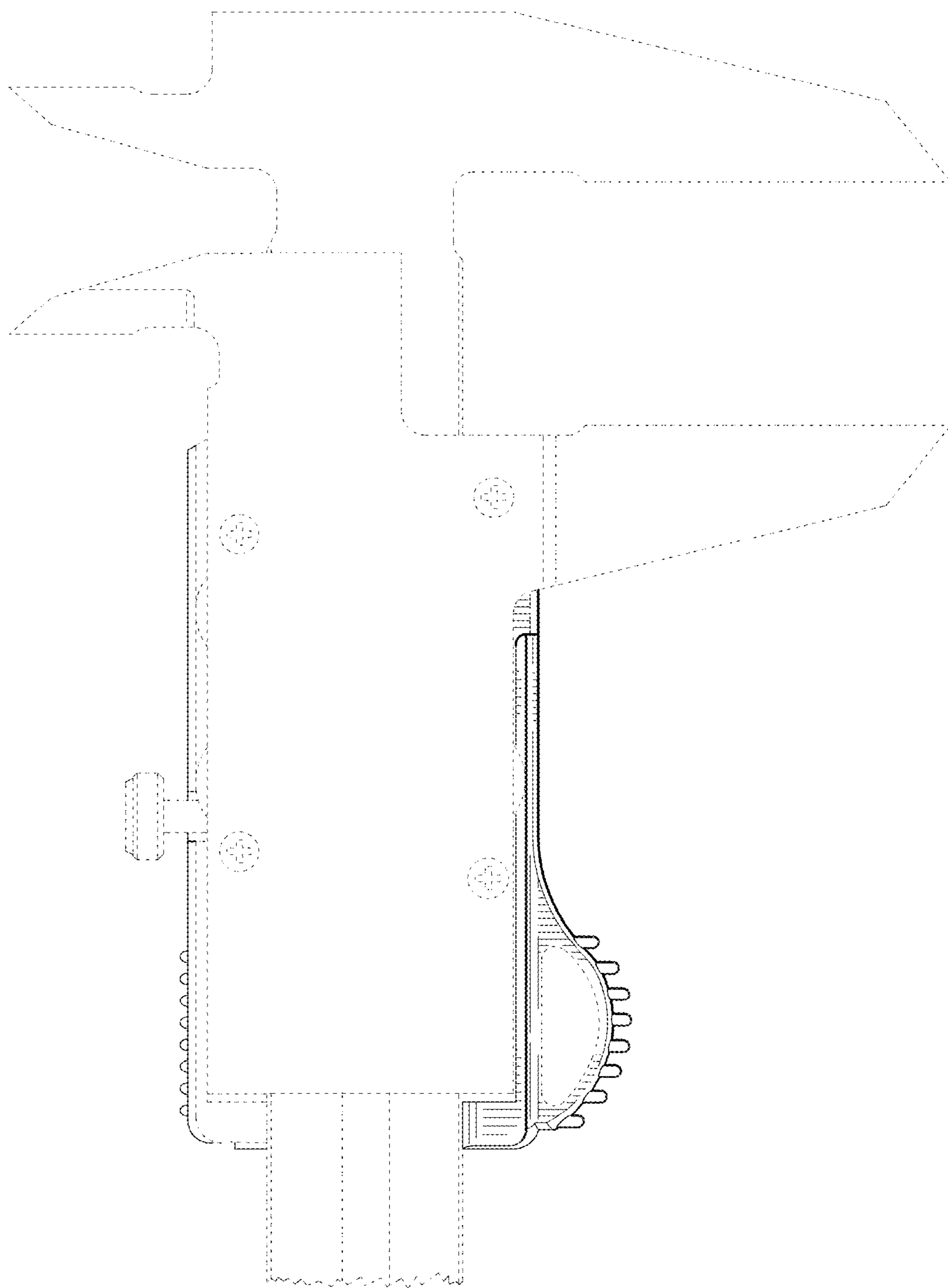


FIG. 6

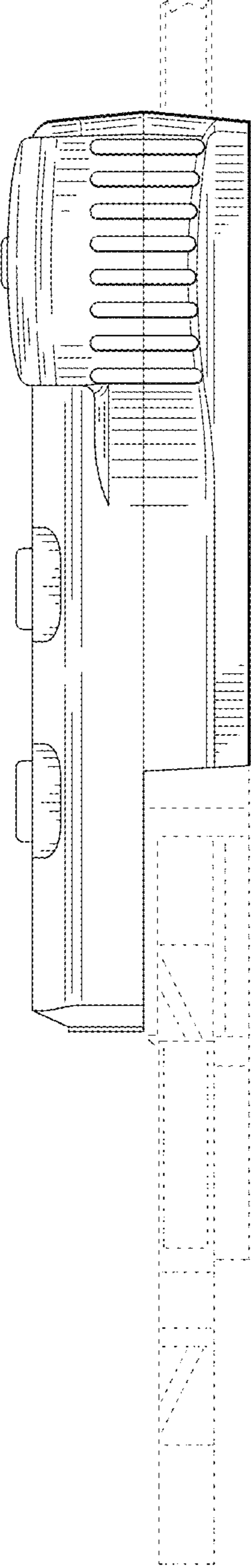


FIG. 7

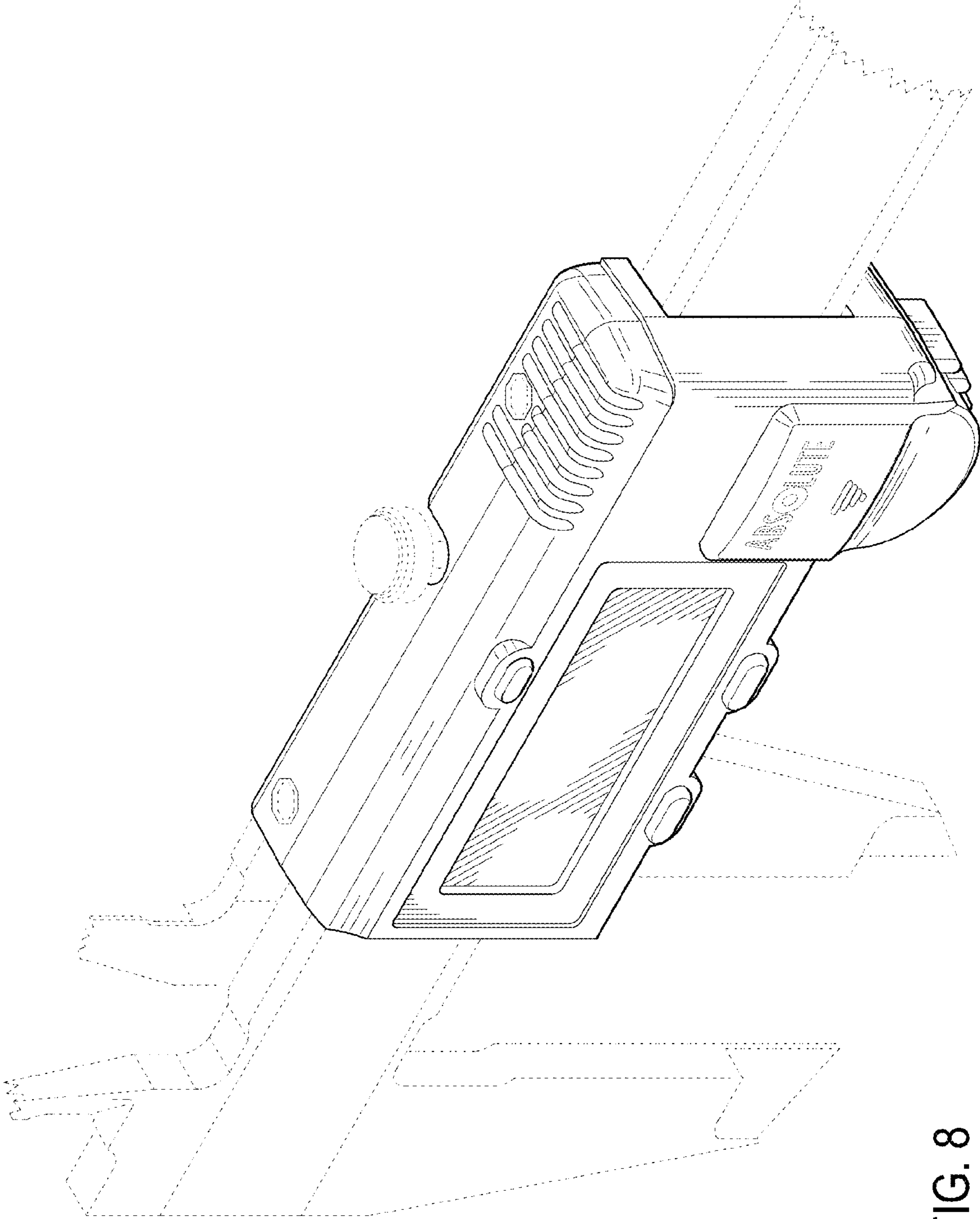


FIG. 8

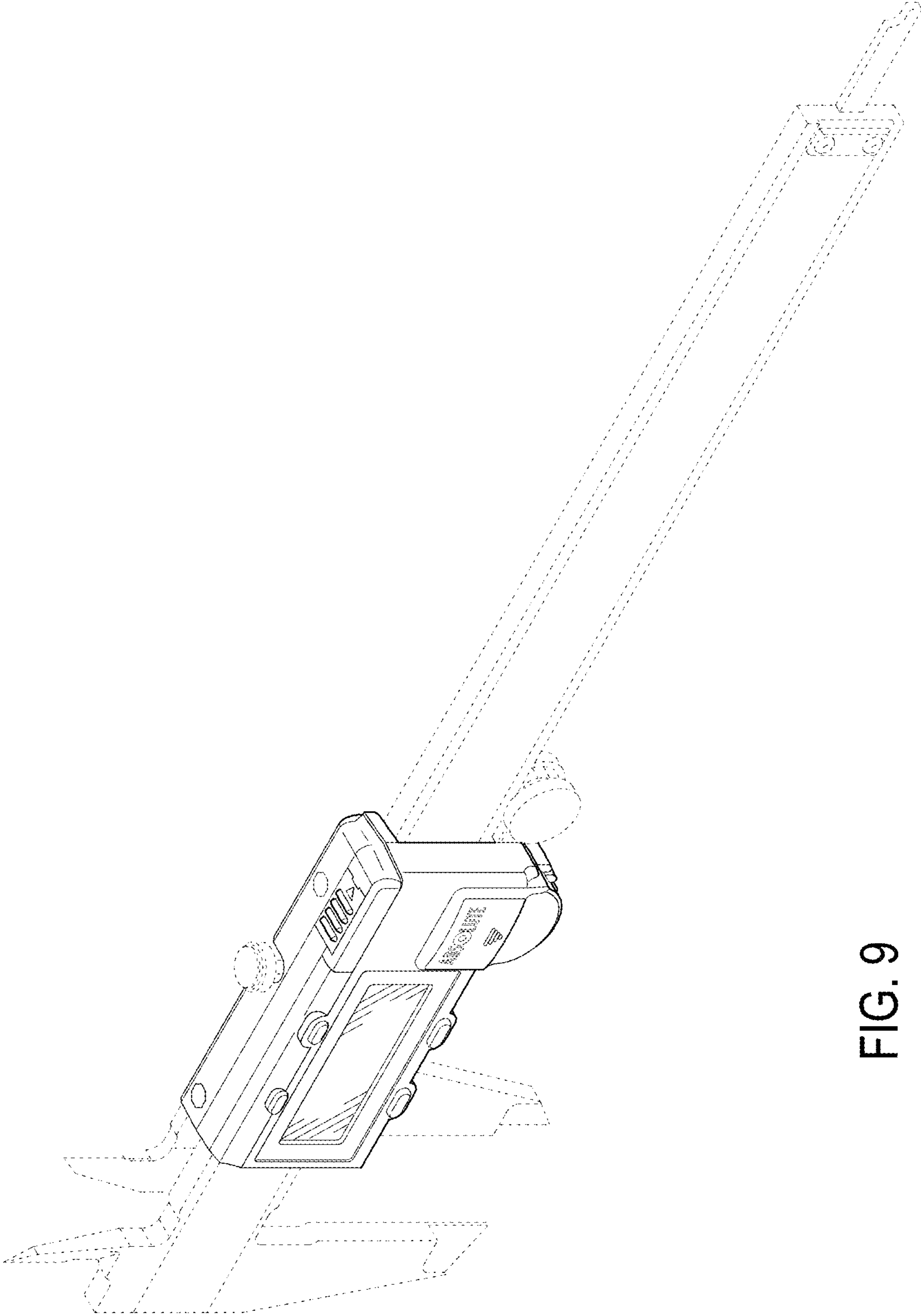


FIG. 9

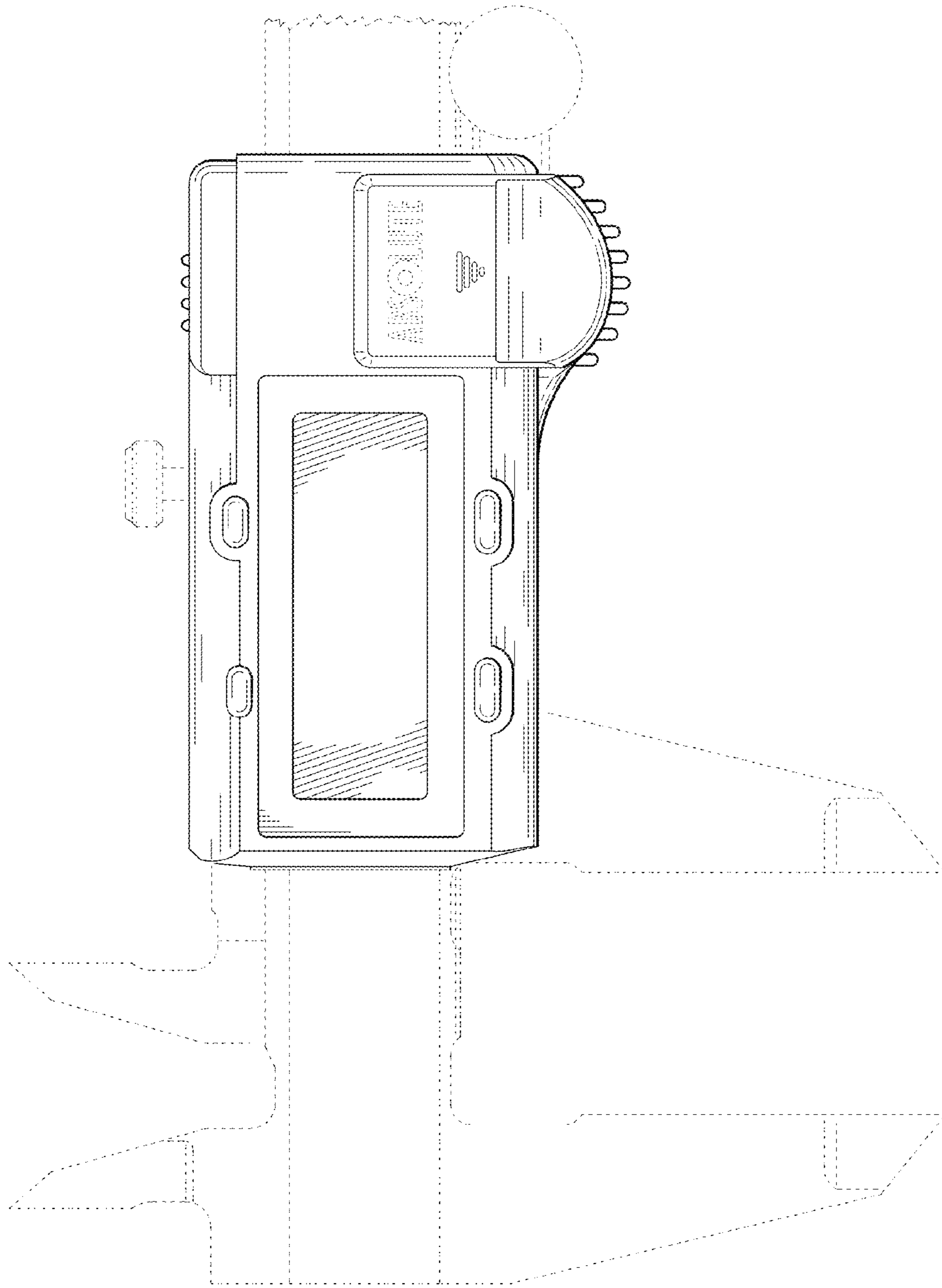


FIG. 10

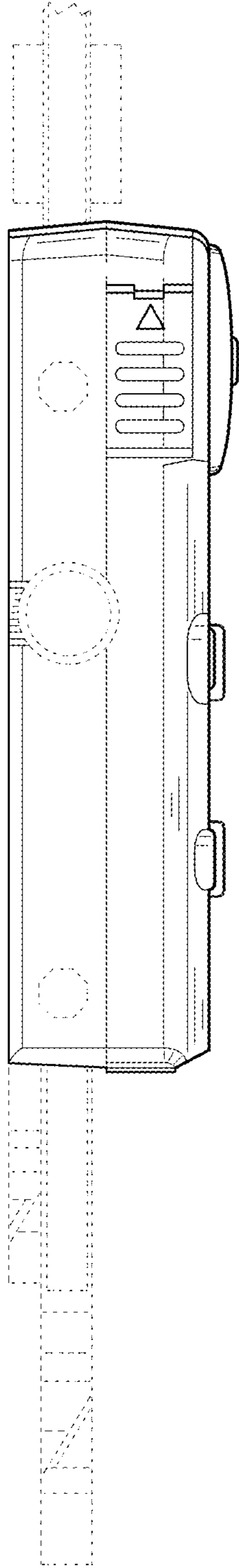


FIG. 11

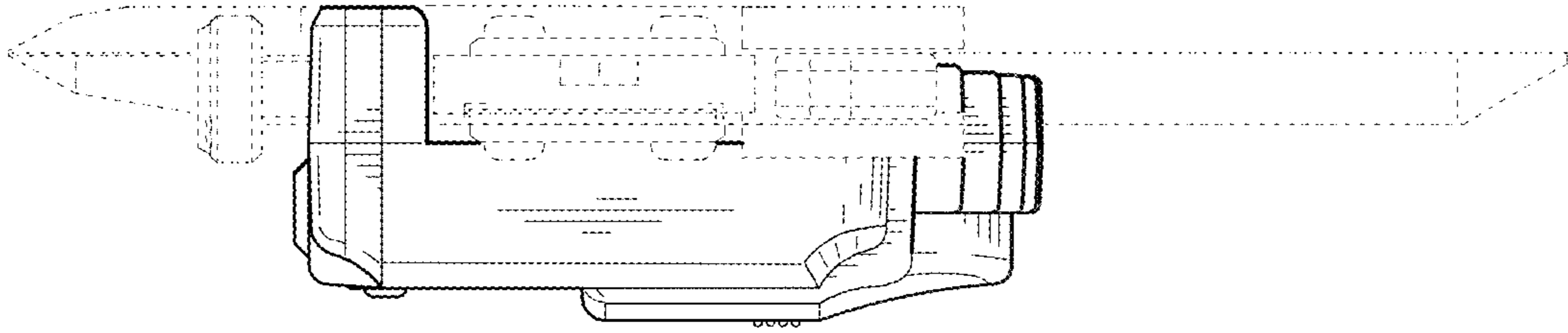


FIG. 13

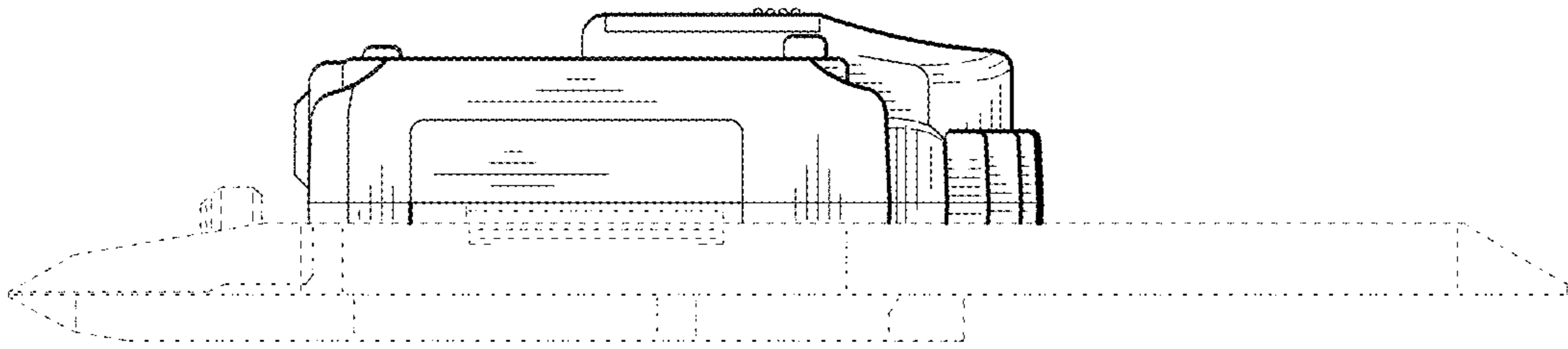


FIG. 12

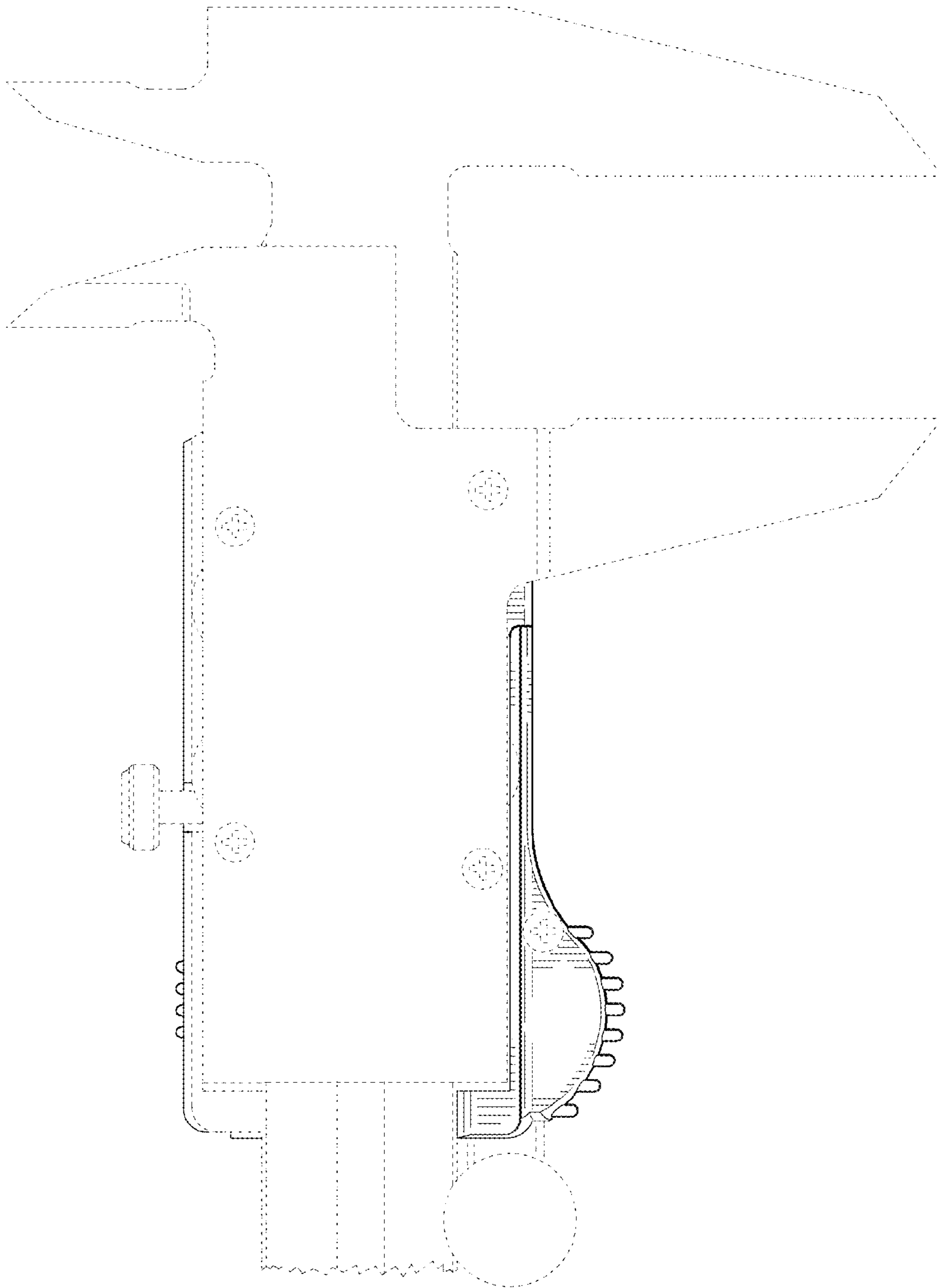


FIG. 14

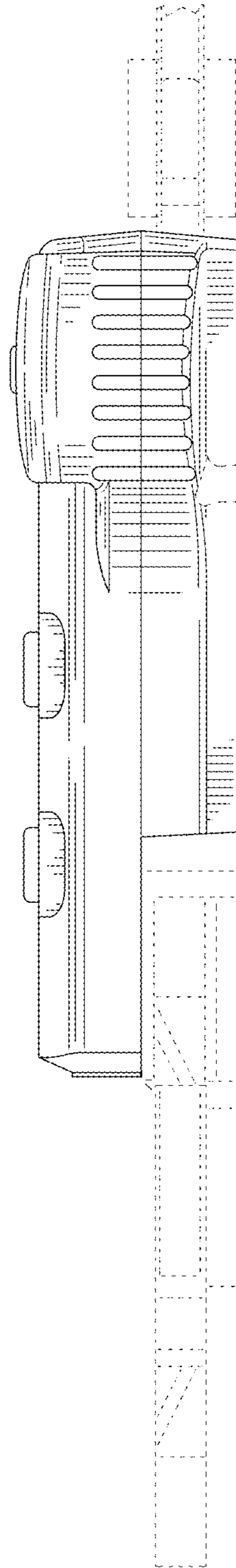


FIG. 15

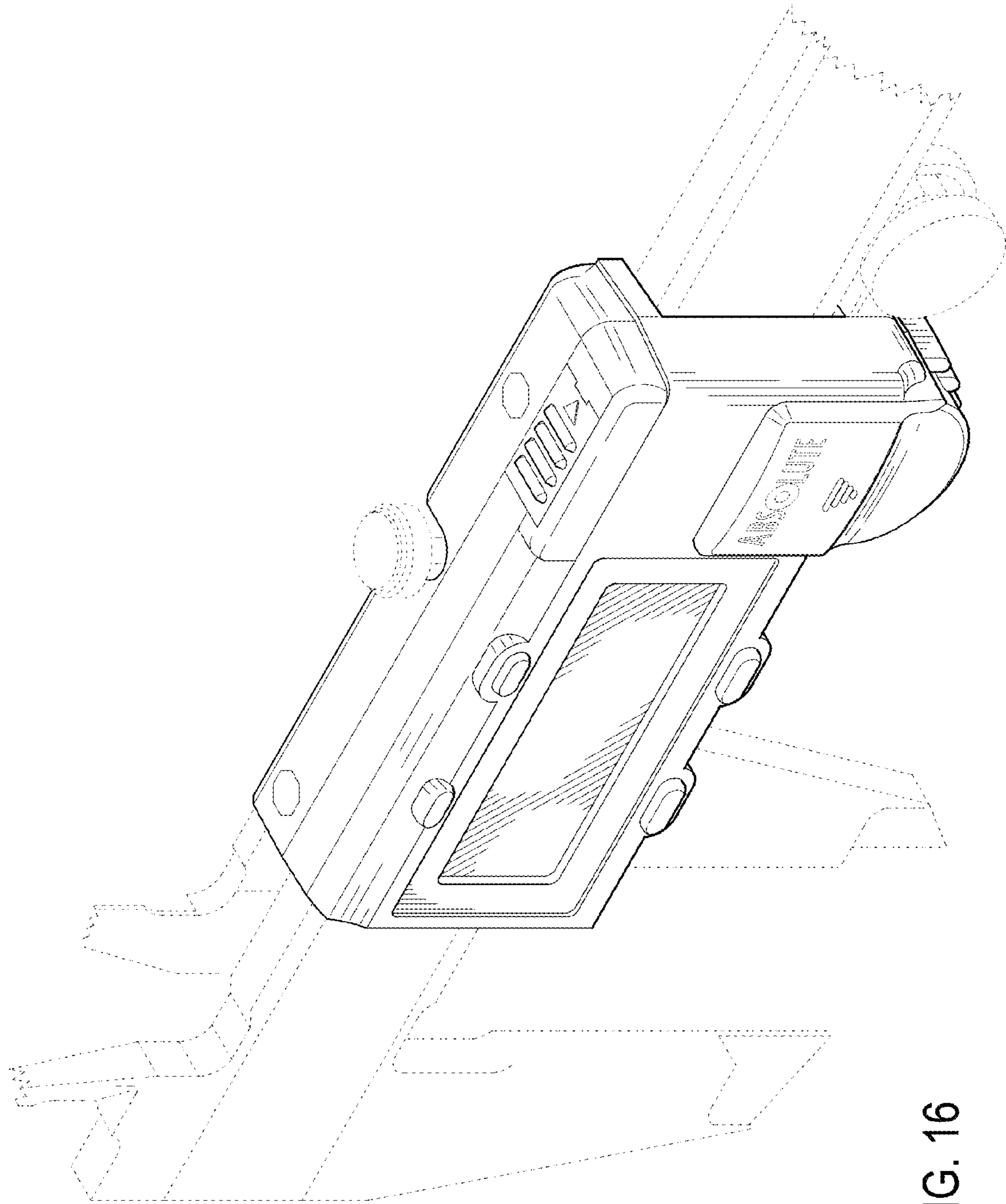


FIG. 16