



US00D721289S

(12) **United States Design Patent**  
**Wingate**

(10) **Patent No.:** **US D721,289 S**  
(45) **Date of Patent:** **\*\* Jan. 20, 2015**

(54) **SURFACE TOOL**

(71) Applicant: **Zircon Corporation**, Campbell, CA  
(US)

(72) Inventor: **Barry Wingate**, San Jose, CA (US)

(73) Assignee: **Zircon Corporation**, Campbell, CA  
(US)

(\*\*) Term: **14 Years**

(21) Appl. No.: **29/484,235**

(22) Filed: **Mar. 7, 2014**

(51) **LOC (10) Cl.** ..... **10-04**

(52) **U.S. Cl.**  
USPC ..... **D10/70; D10/62**

(58) **Field of Classification Search**  
CPC ..... B25G 1/102; G01R 312/045; G01C 9/06;  
G01C 15/00; G01V 3/15  
USPC ..... D10/62, 65, 70, 78; 33/227, 286, 290,  
33/760; 324/67, 133, 156, 658, 662, 679,  
324/529, 556; 340/540, 539.1; 362/184,  
362/205, 208, 253

See application file for complete search history.

(56) **References Cited**

U.S. PATENT DOCUMENTS

|              |      |        |                           |         |
|--------------|------|--------|---------------------------|---------|
| 6,249,113    | B1 * | 6/2001 | Krantz et al. ....        | 324/67  |
| 6,259,241    | B1 * | 7/2001 | Krantz .....              | 324/67  |
| 7,495,455    | B2 * | 2/2009 | Sanoner et al. ....       | 324/662 |
| 7,504,817    | B2 * | 3/2009 | Sanoner et al. ....       | 324/67  |
| D706,147     | S *  | 6/2014 | Wingate et al. ....       | D10/65  |
| D706,148     | S *  | 6/2014 | Wingate et al. ....       | D10/65  |
| 2008/0186010 | A1 * | 8/2008 | Skultety-Betz et al. .... | 324/67  |
| 2011/0169477 | A1 * | 7/2011 | Radle et al. ....         | 324/67  |

\* cited by examiner

*Primary Examiner* — Antoine D Davis

(74) *Attorney, Agent, or Firm* — Omair M. Farooqui

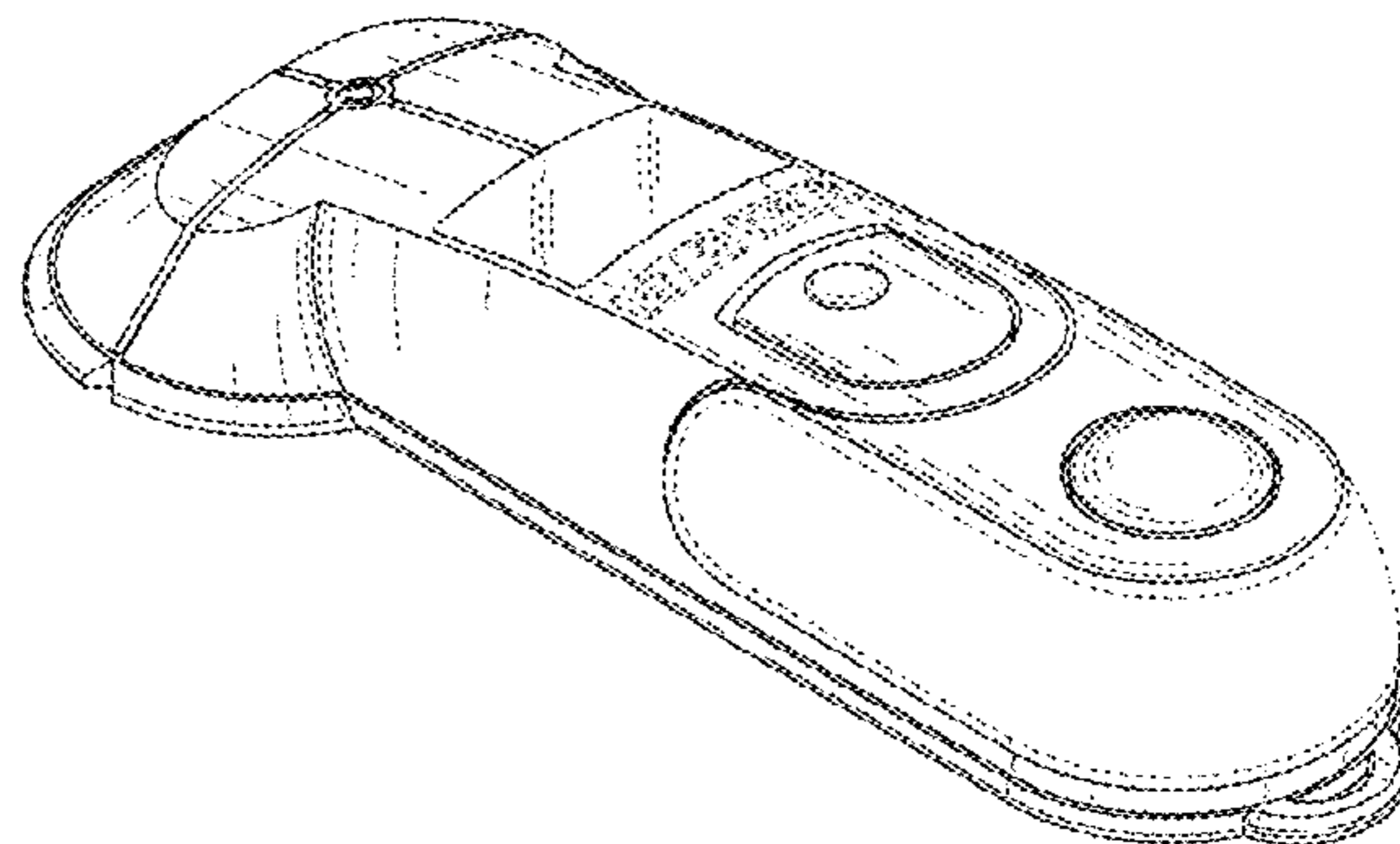
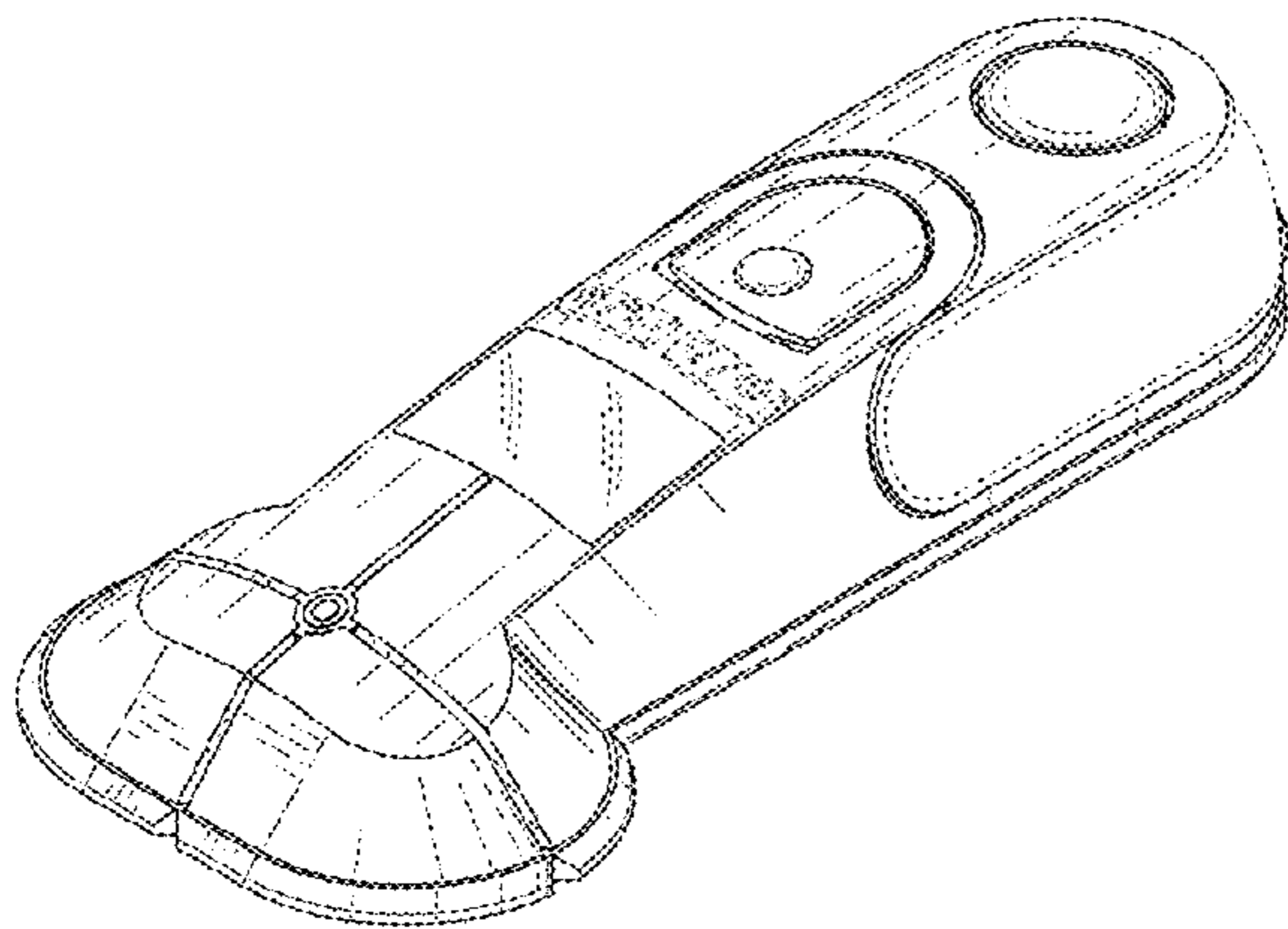
(57) **CLAIM**

The ornamental design for a surface tool, as shown and described.

**DESCRIPTION**

FIG. 1 is a perspective view of a surface tool according to a preferred embodiment of the present invention;  
FIG. 2 is a top plan view thereof;  
FIG. 3 is a bottom plan view thereof;  
FIG. 4 is a left side plan view thereof;  
FIG. 5 is a right side plan view thereof;  
FIG. 6 is a rear elevational view thereof;  
FIG. 7 is a front elevational view thereof; and,  
FIG. 8 is a rear perspective view thereof.  
The broken lines shown in FIGS. 1-7 are environmental only and form no part of the claimed design.

**1 Claim, 5 Drawing Sheets**



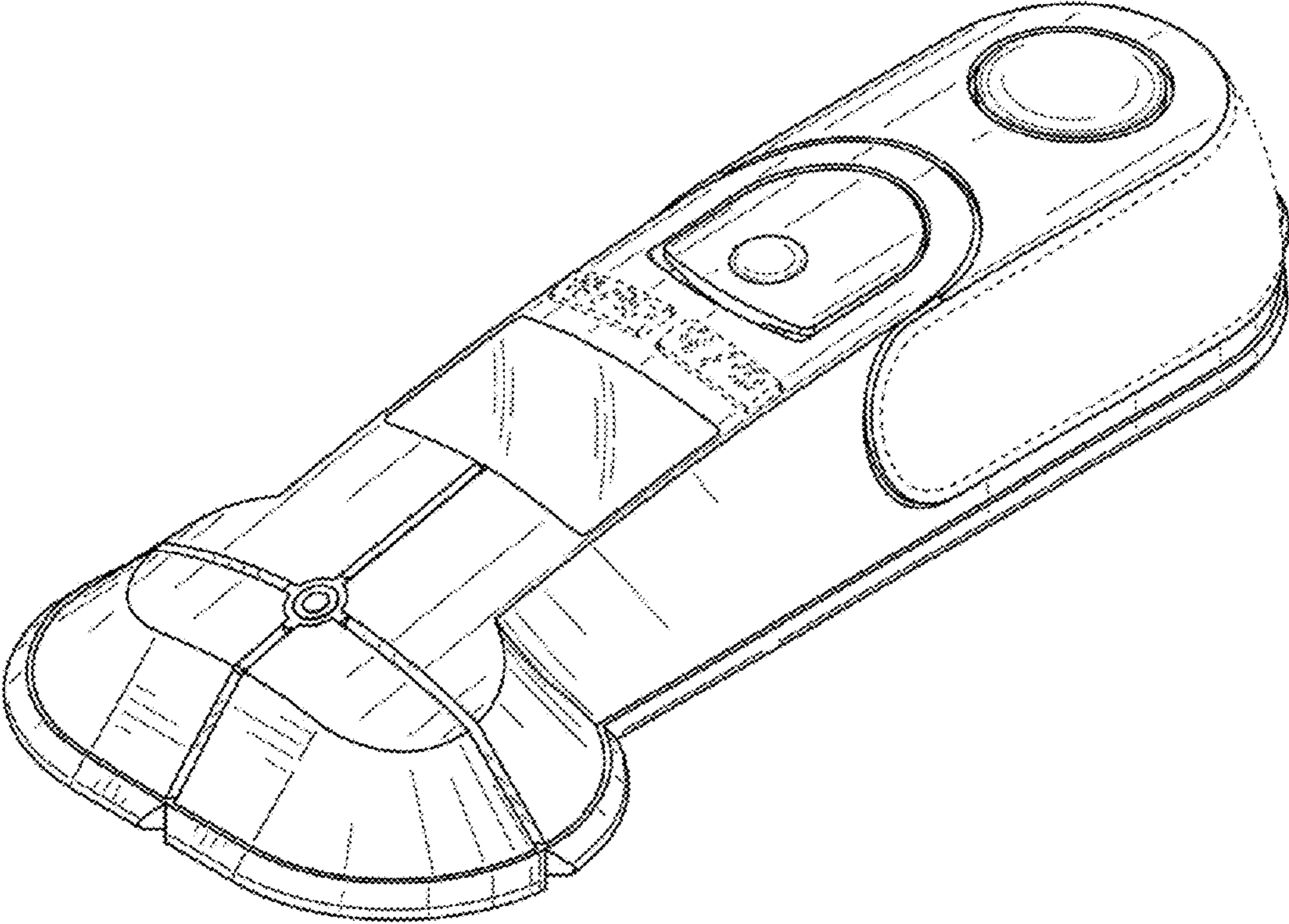
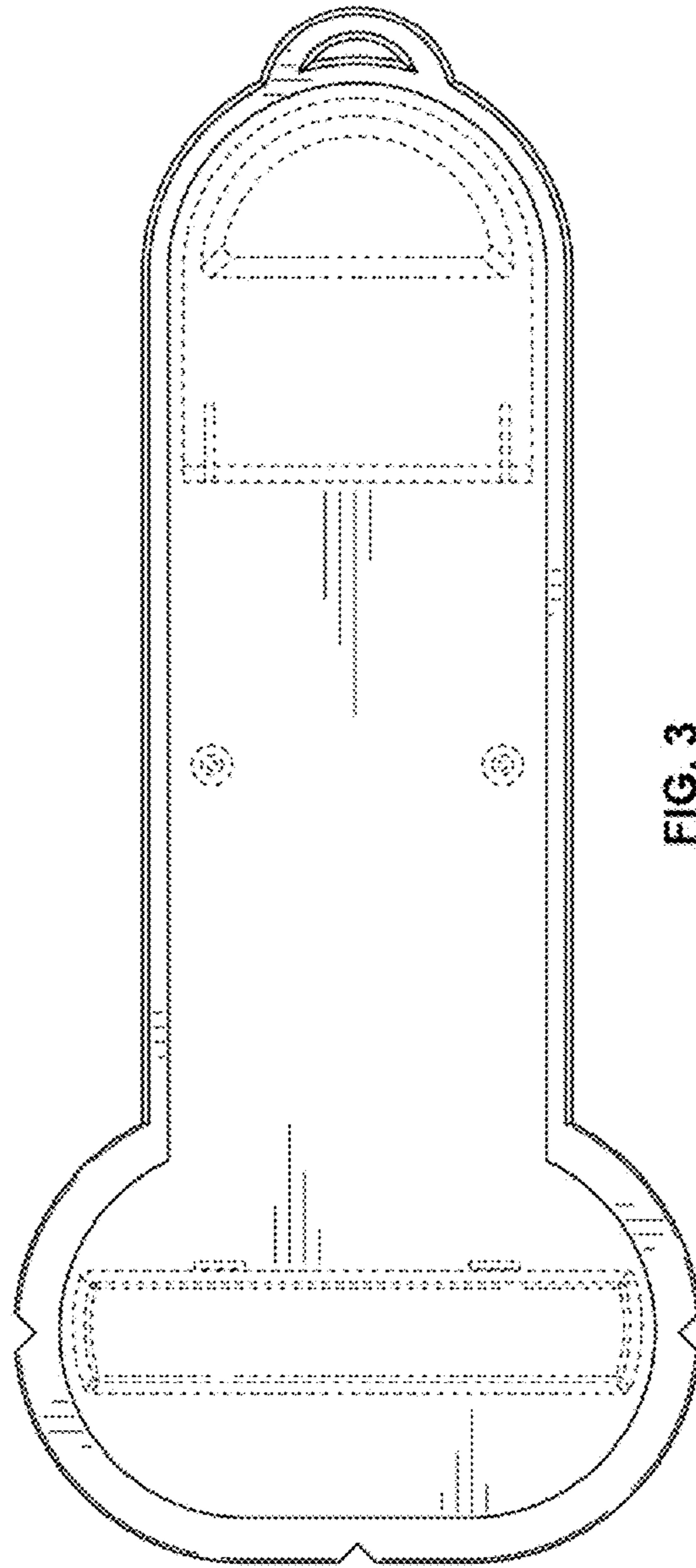
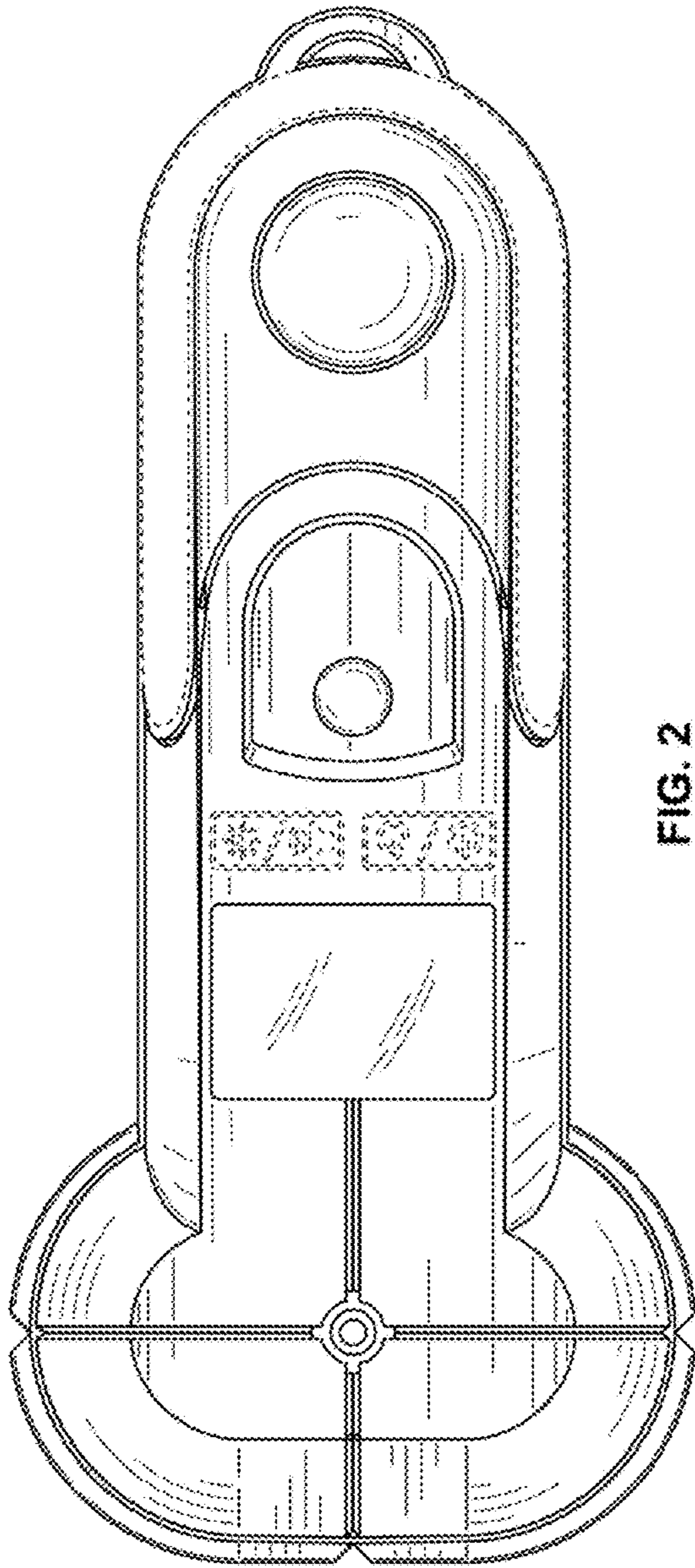


FIG. 1



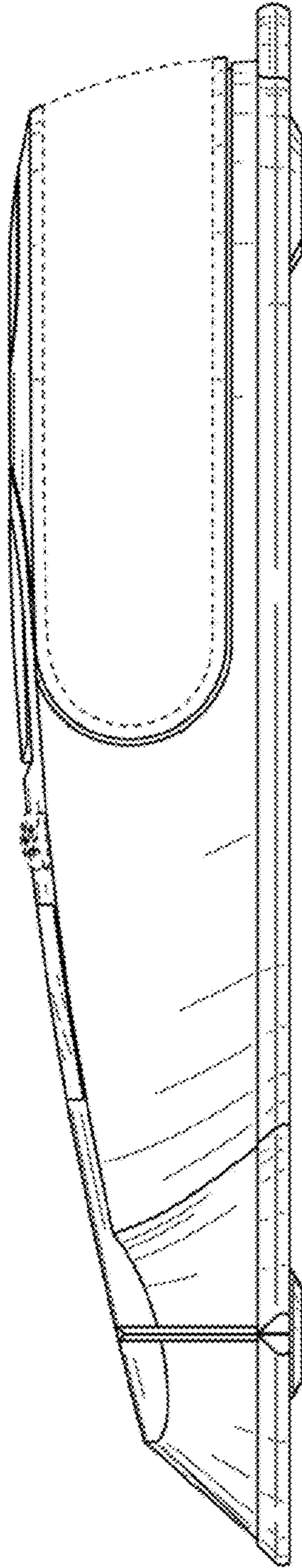


FIG. 4

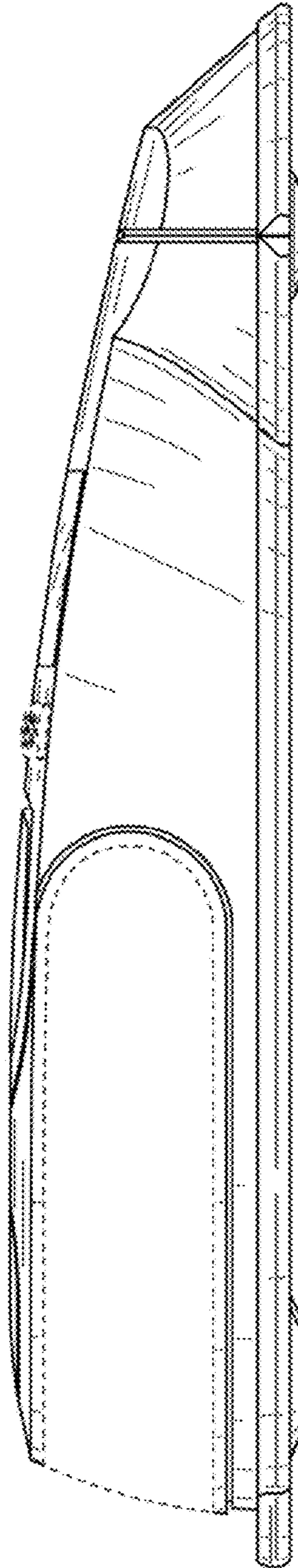


FIG. 5

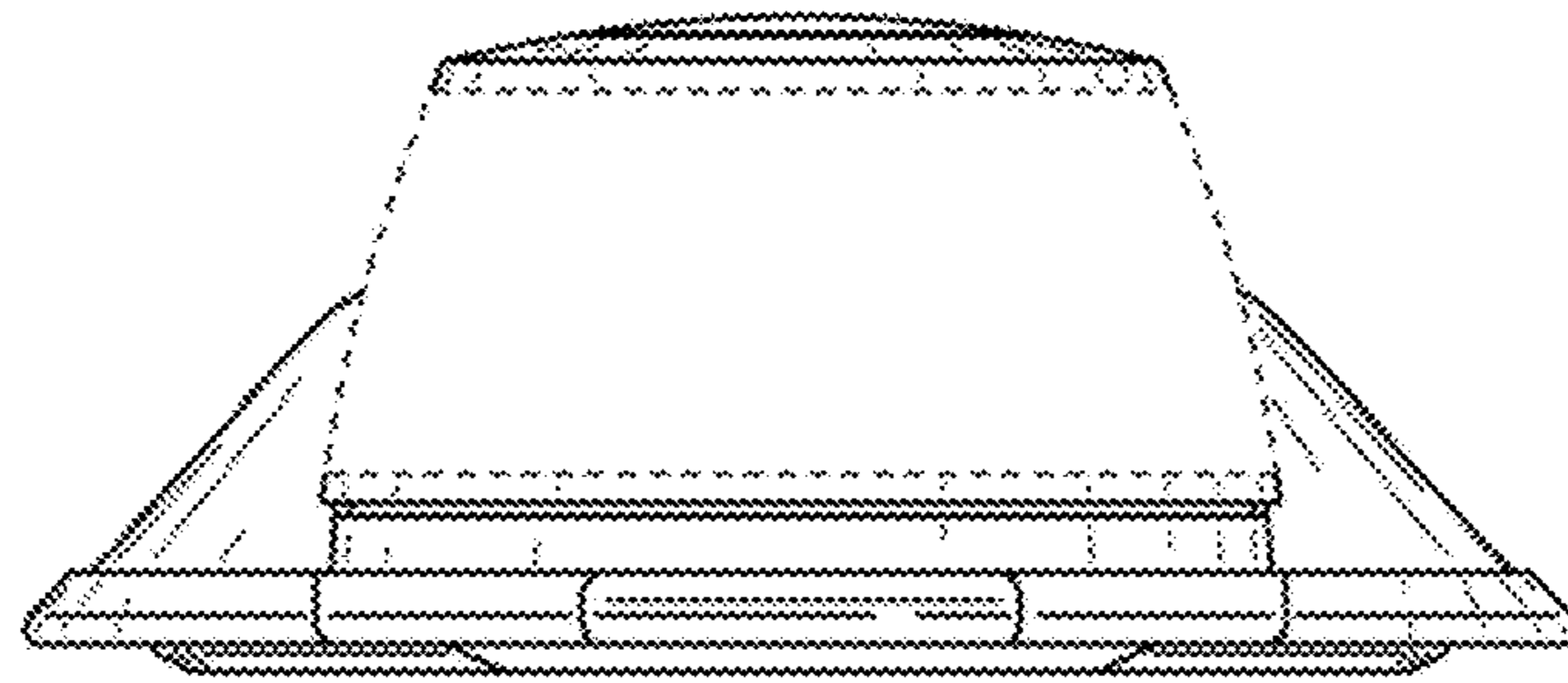


FIG. 6

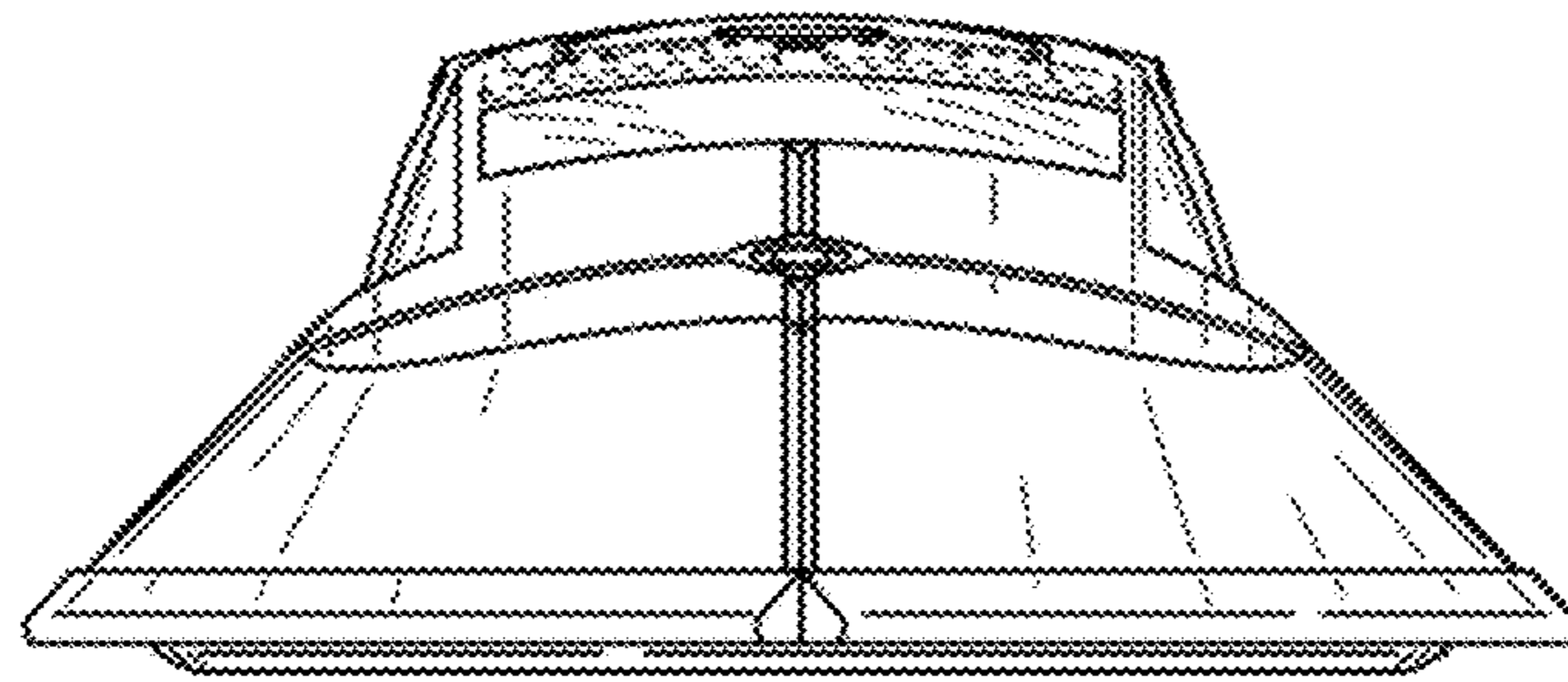


FIG. 7

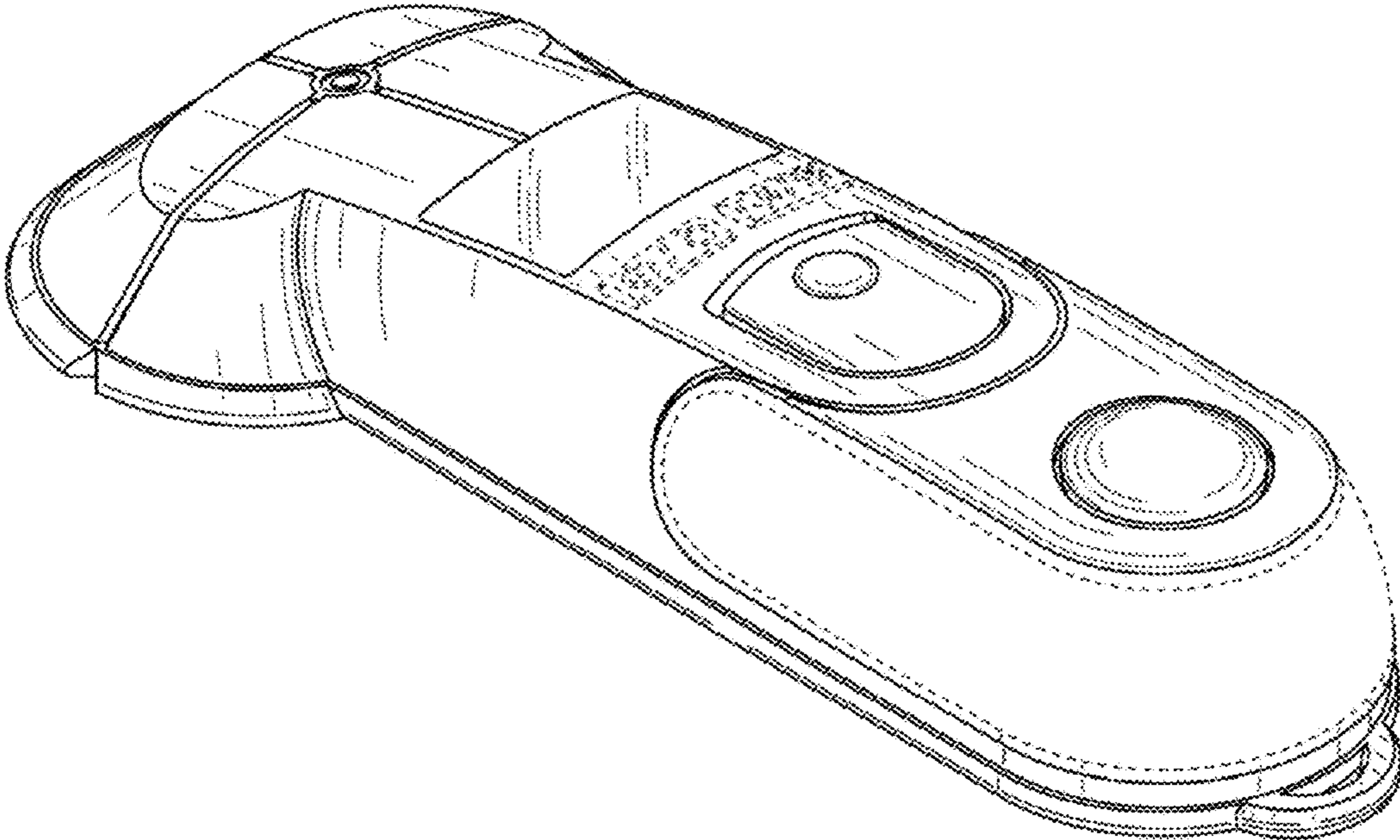


FIG. 8