



US00D721288S

(12) **United States Design Patent**
Sacks et al.

(10) **Patent No.:** **US D721,288 S**
(45) **Date of Patent:** **** Jan. 20, 2015**

(54) **THERMOMETER AND CASE**

(71) Applicant: **Kindara, Inc.**, Boulder, CO (US)

(72) Inventors: **William Sacks**, Boulder, CO (US);
Katherine Bicknell, Boulder, CO (US)

(73) Assignee: **Kindara, Inc.**, Boulder, CO (US)

(**) Term: **14 Years**

(21) Appl. No.: **29/471,543**

(22) Filed: **Nov. 1, 2013**

(51) **LOC (10) Cl.** **10-04**

(52) **U.S. Cl.**
USPC **D10/57**

(58) **Field of Classification Search**

CPC G01J 5/061; G01J 5/0843; G01J 5/0846;
G01J 5/0859; G01J 5/089; G01J 5/0896;
G01J 5/048; G01J 5/16; G01J 5/522; G01J
5/0205; G01J 5/0887; G01J 5/0003; G01J
5/0275; G01J 5/084; G01J 5/0834; G01J 5/12;
G01J 5/14
USPC D10/57; 374/1-209, E1.011-E1.017;
600/474, 549

See application file for complete search history.

(56) **References Cited**

U.S. PATENT DOCUMENTS

D685,658 S * 7/2013 Shibata et al. D10/57

OTHER PUBLICATIONS

Basal Thermometer, Kindara Welcome Booklet & Stickers. <http://kindara.myshopify.com/collections/frontpage/products/basal-thermometer-kindara-welcome-booklet-reminder-stickers>, 2 pages, retrieved on Feb. 25, 2014.

Primary Examiner — Antoine D Davis

(74) *Attorney, Agent, or Firm* — Wolf, Greenfield & Sacks, P.C.

(57) **CLAIM**

The ornamental design for a thermometer and case, as shown and described.

DESCRIPTION

FIG. 1 is a front, left perspective view of a first embodiment of the thermometer and case in a closed configuration; FIG. 2 is a front elevational view of the first embodiment of FIG. 1 in the closed configuration; FIG. 3 is a back elevational view of the first embodiment of FIG. 1 in the closed configuration; FIG. 4 is a left-side elevational view of the first embodiment of FIG. 1 in the closed configuration; FIG. 5 is a right-side elevational view of the first embodiment of FIG. 1 in the closed configuration; FIG. 6 is a top plan view of the first embodiment of FIG. 1 in the closed configuration; FIG. 7 is a bottom plan view of the first embodiment of FIG. 1 in the closed configuration; FIG. 8 is a front, left perspective view of a second embodiment of the thermometer and case in a closed configuration; FIG. 9 is a front elevational view of the second embodiment of FIG. 8 in the closed configuration; FIG. 10 is a back elevational view of the second embodiment of FIG. 8 in the closed configuration; FIG. 11 is a left-side elevational view of the second embodiment of FIG. 8 in the closed configuration; FIG. 12 is a right-side elevational view of the second embodiment of FIG. 8 in the closed configuration; FIG. 13 is a top plan view of the second embodiment of FIG. 8 in the closed configuration; FIG. 14 is a bottom plan view of the second embodiment of FIG. 8 in the closed configuration; FIG. 15 is a front, left perspective view of the first embodiment of FIG. 1 in an open configuration; FIG. 16 is a front elevational view of the first embodiment of FIG. 1 in the open configuration; FIG. 17 is a back elevational view of the first embodiment of FIG. 1 in the open configuration; FIG. 18 is a left-side elevational view of the first embodiment of FIG. 1 in the open configuration; FIG. 19 is a right-side elevational view of the first embodiment of FIG. 1 in the open configuration; FIG. 20 is a top plan view of the first embodiment of FIG. 1 in the open configuration;

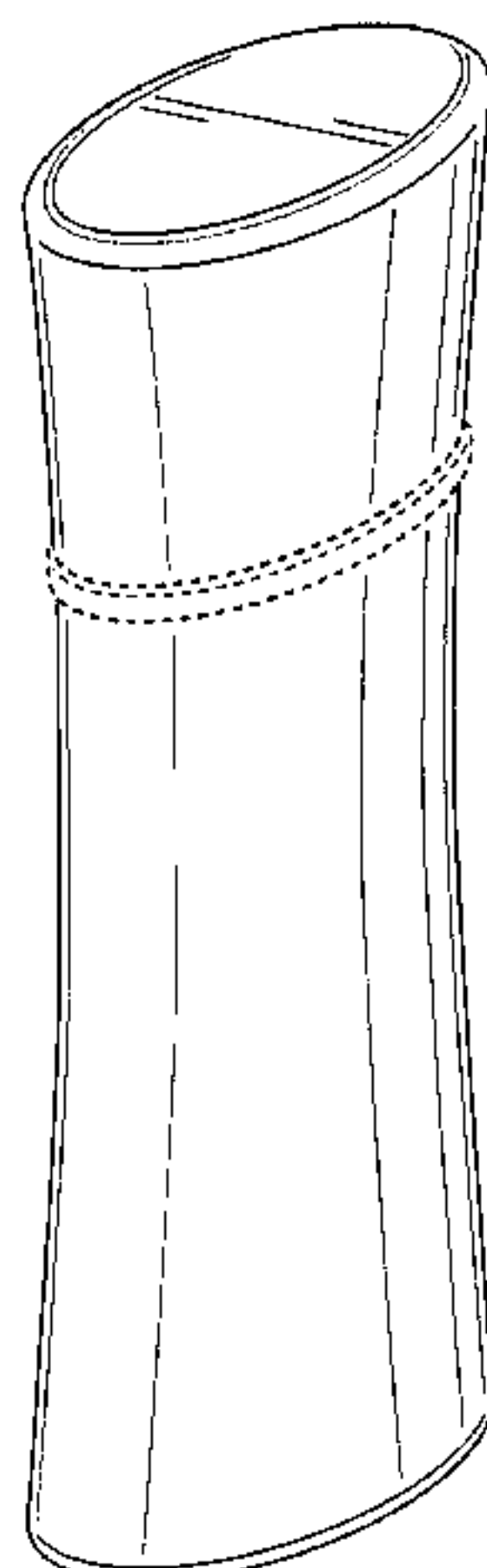


FIG. **21** is a bottom plan view of the first embodiment of FIG. **1** in the open configuration;

FIG. **22** is a front, left perspective view of the second embodiment of FIG. **8** in an open configuration;

FIG. **23** is a front elevational view of the second embodiment of FIG. **8** in the open configuration;

FIG. **24** is a back elevational view of the second embodiment of FIG. **8** in the open configuration;

FIG. **25** is a left-side elevational view of the second embodiment of FIG. **8** in the open configuration;

FIG. **26** is a right-side elevational view of the second embodiment of FIG. **8** in the open configuration;

FIG. **27** is a top plan view of the second embodiment of FIG. **8** in the open configuration; and,

FIG. **28** is a bottom plan view of the second embodiment of FIG. **8** in the open configuration.

The broken lines shown are included for illustrative purposes only form no part of the claimed design.

1 Claim, 24 Drawing Sheets

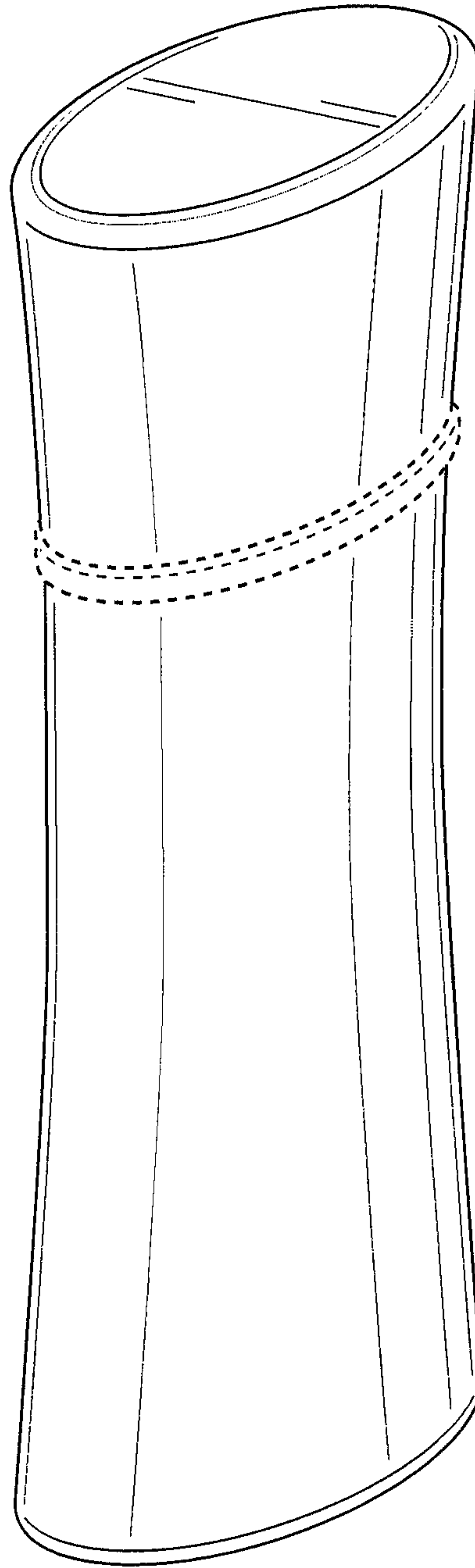


FIG. 1

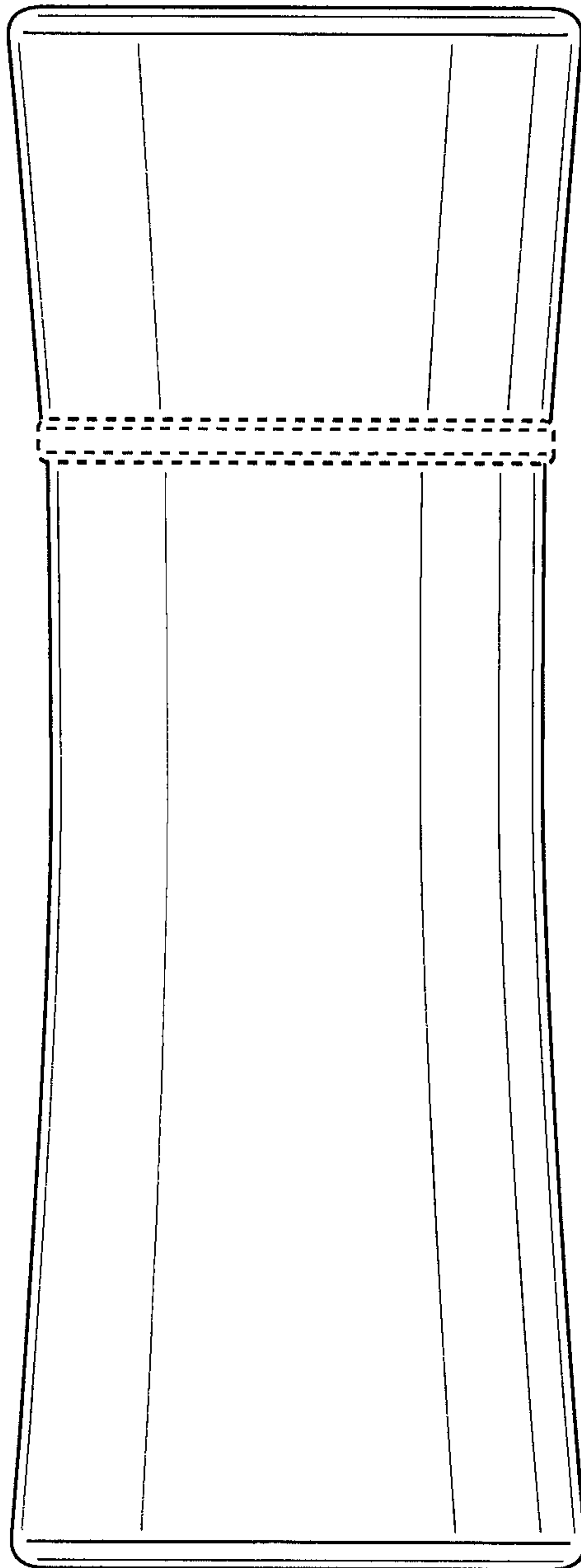


FIG. 2

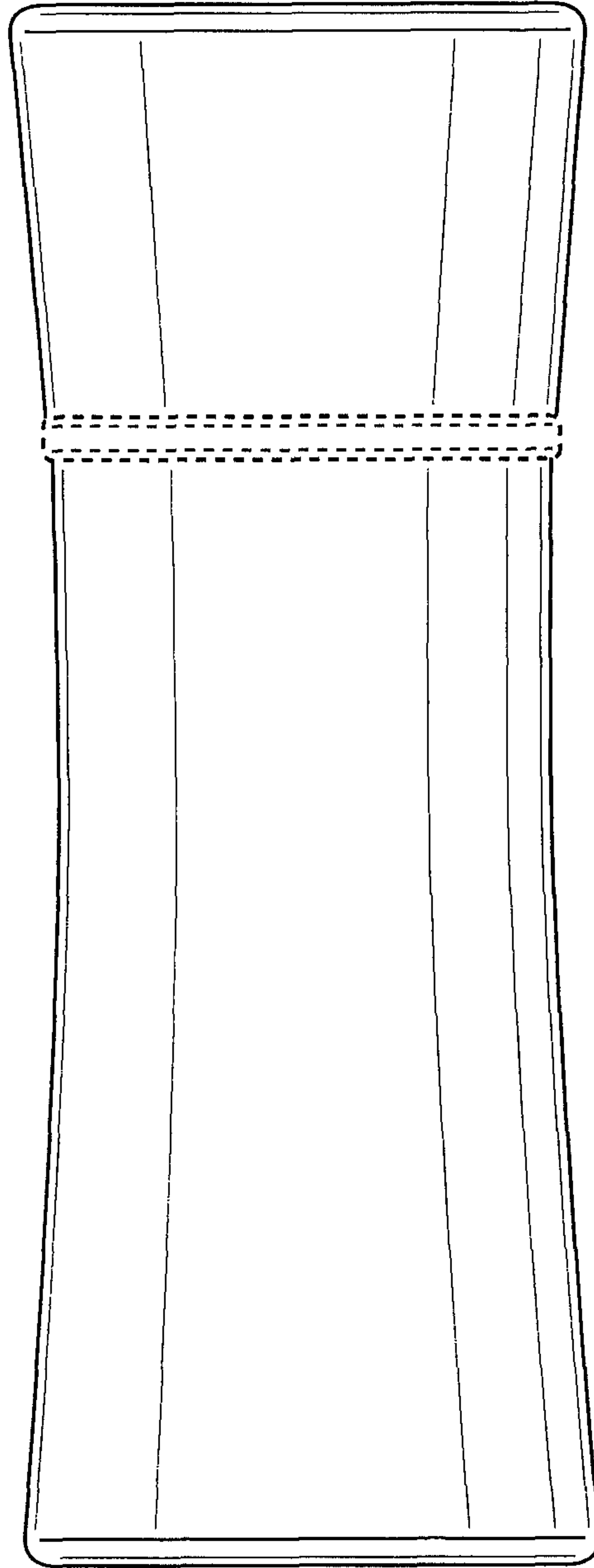


FIG. 3

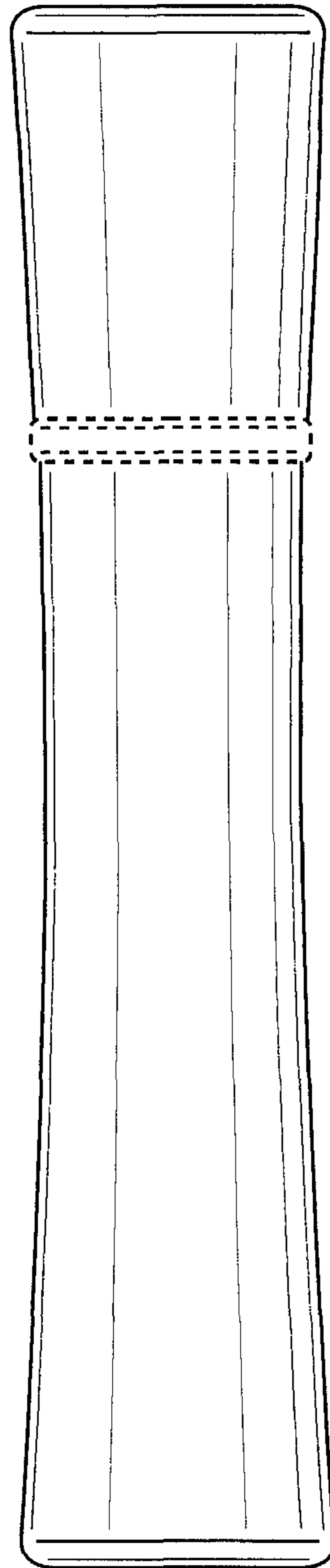


FIG. 4

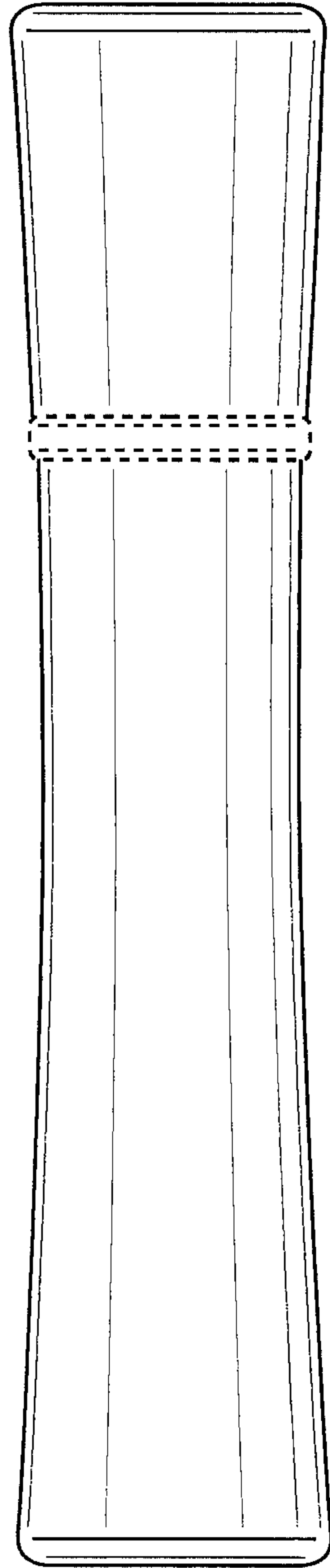


FIG. 5

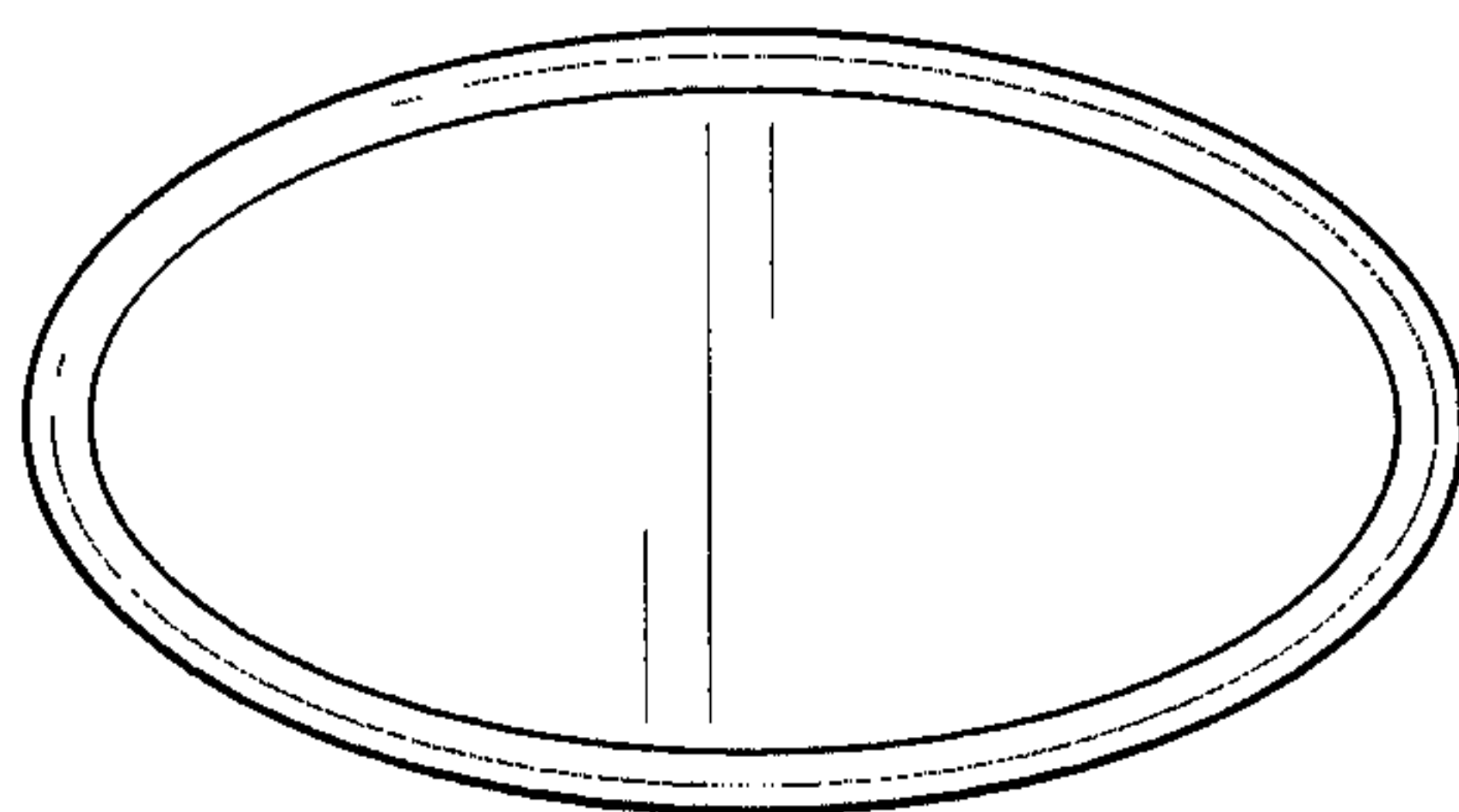


FIG. 6

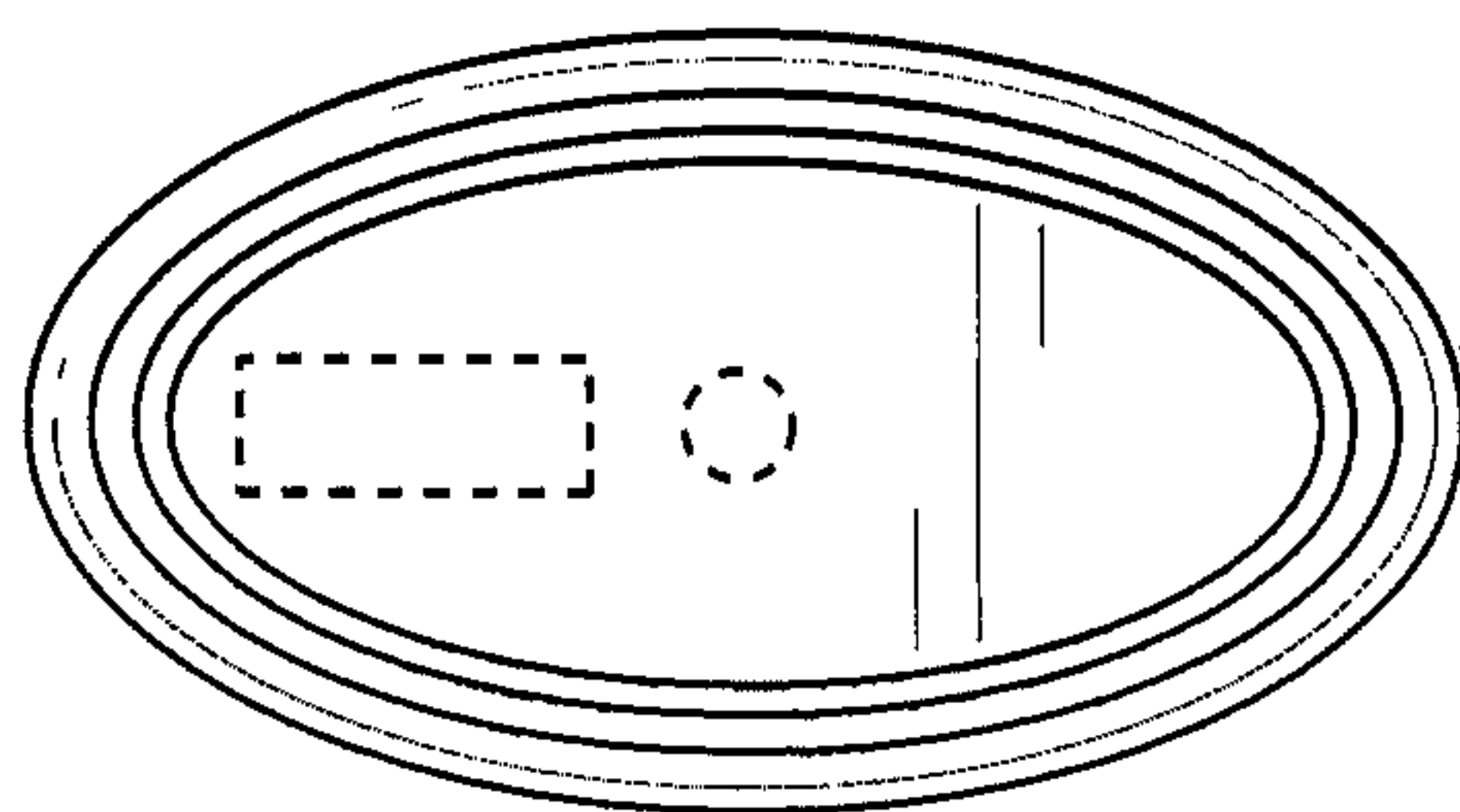


FIG. 7

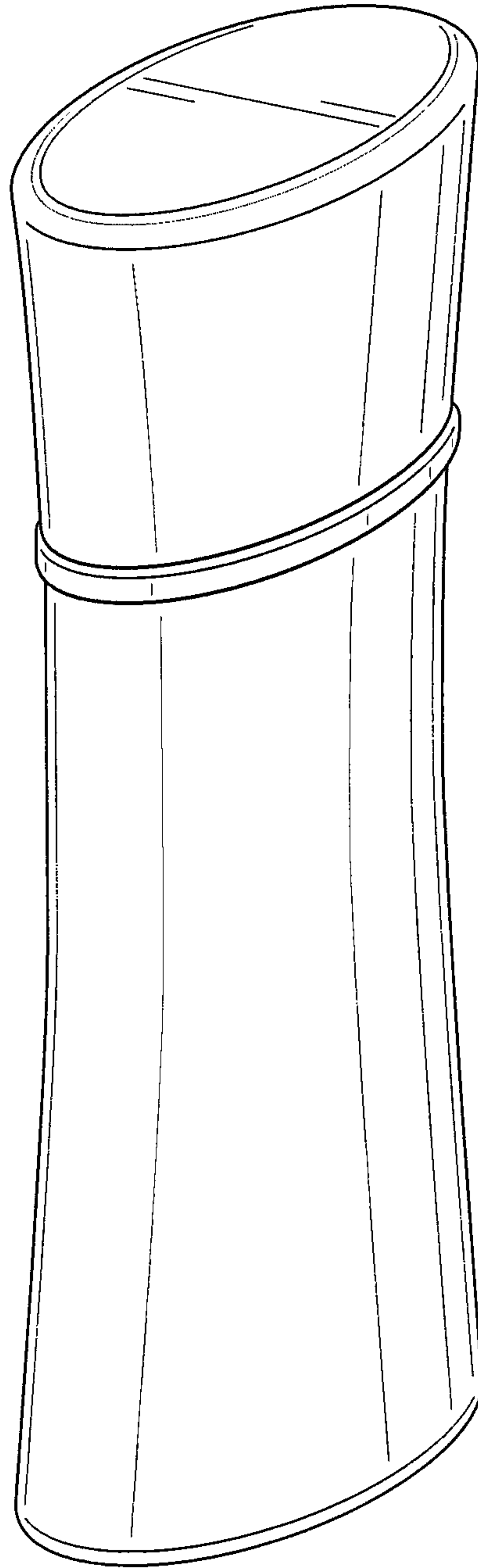


FIG. 8

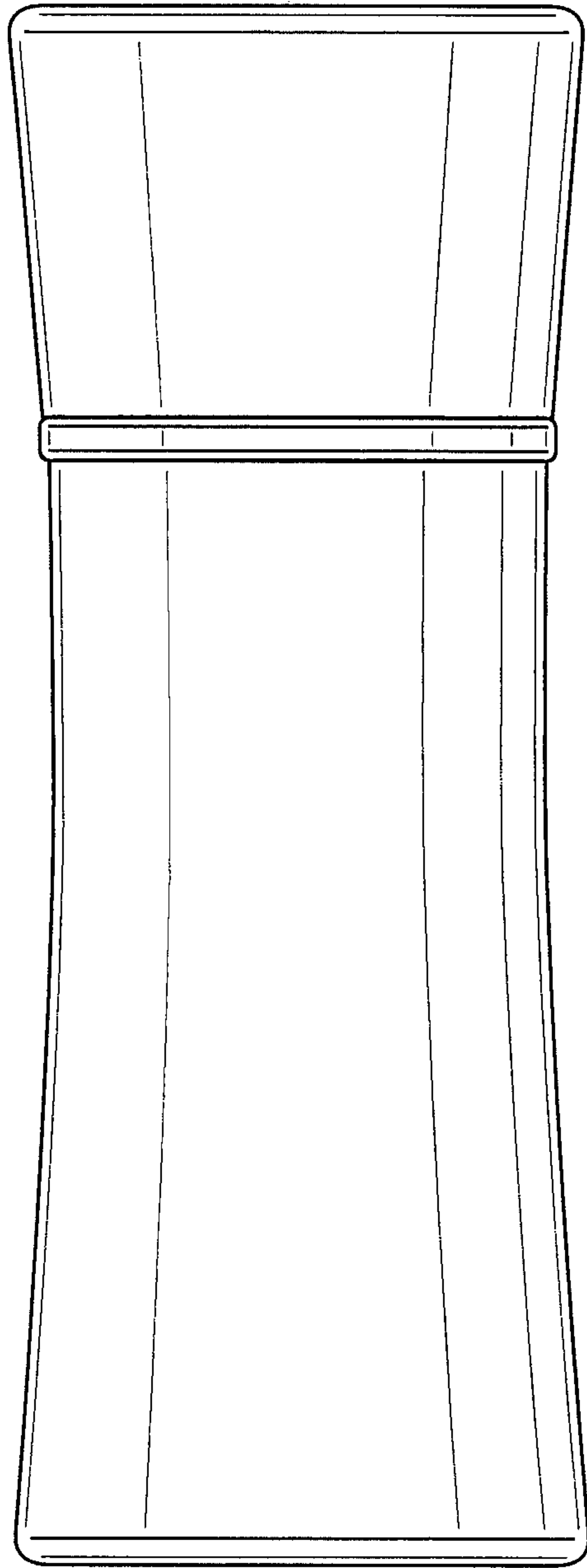


FIG. 9

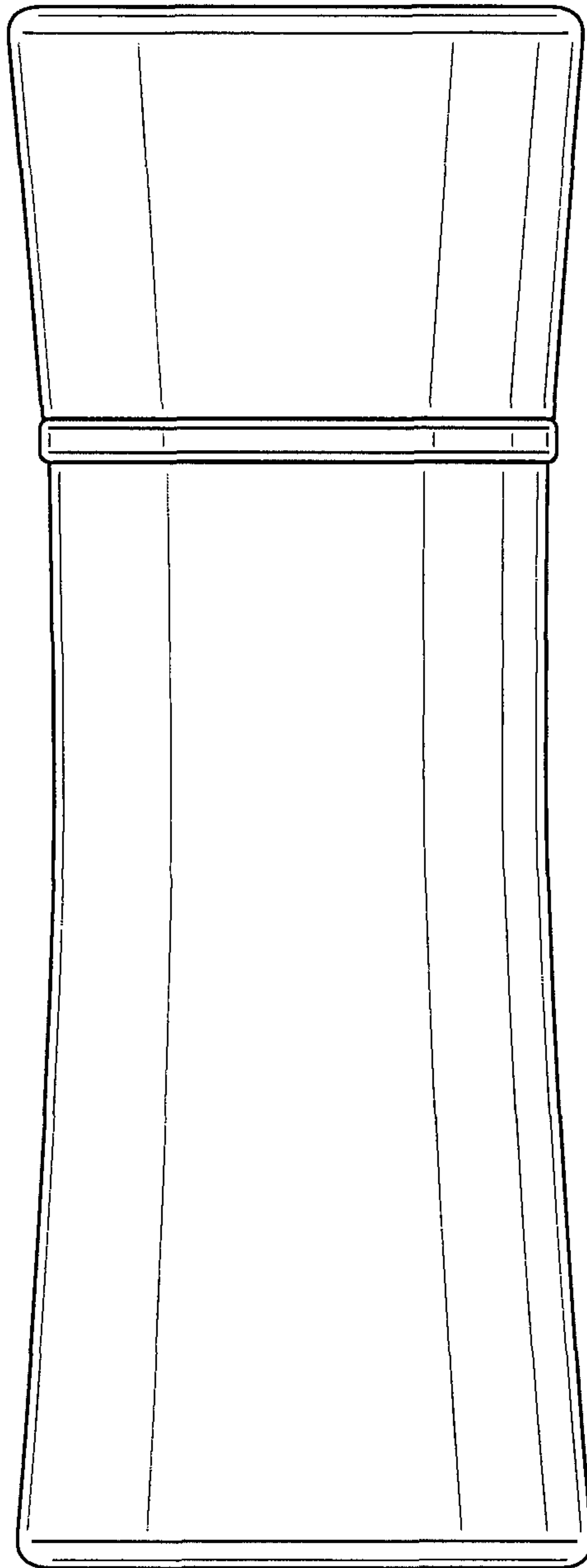


FIG. 10

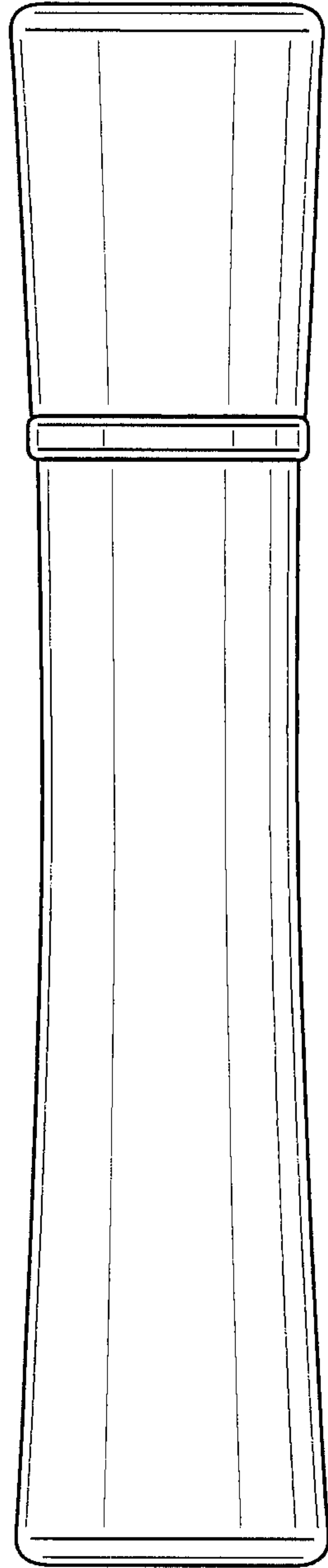


FIG. 11

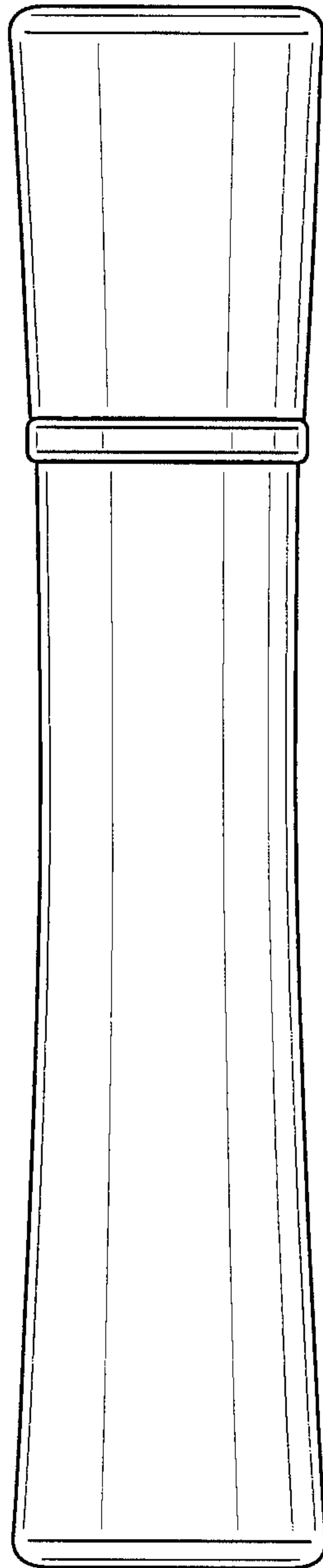


FIG. 12

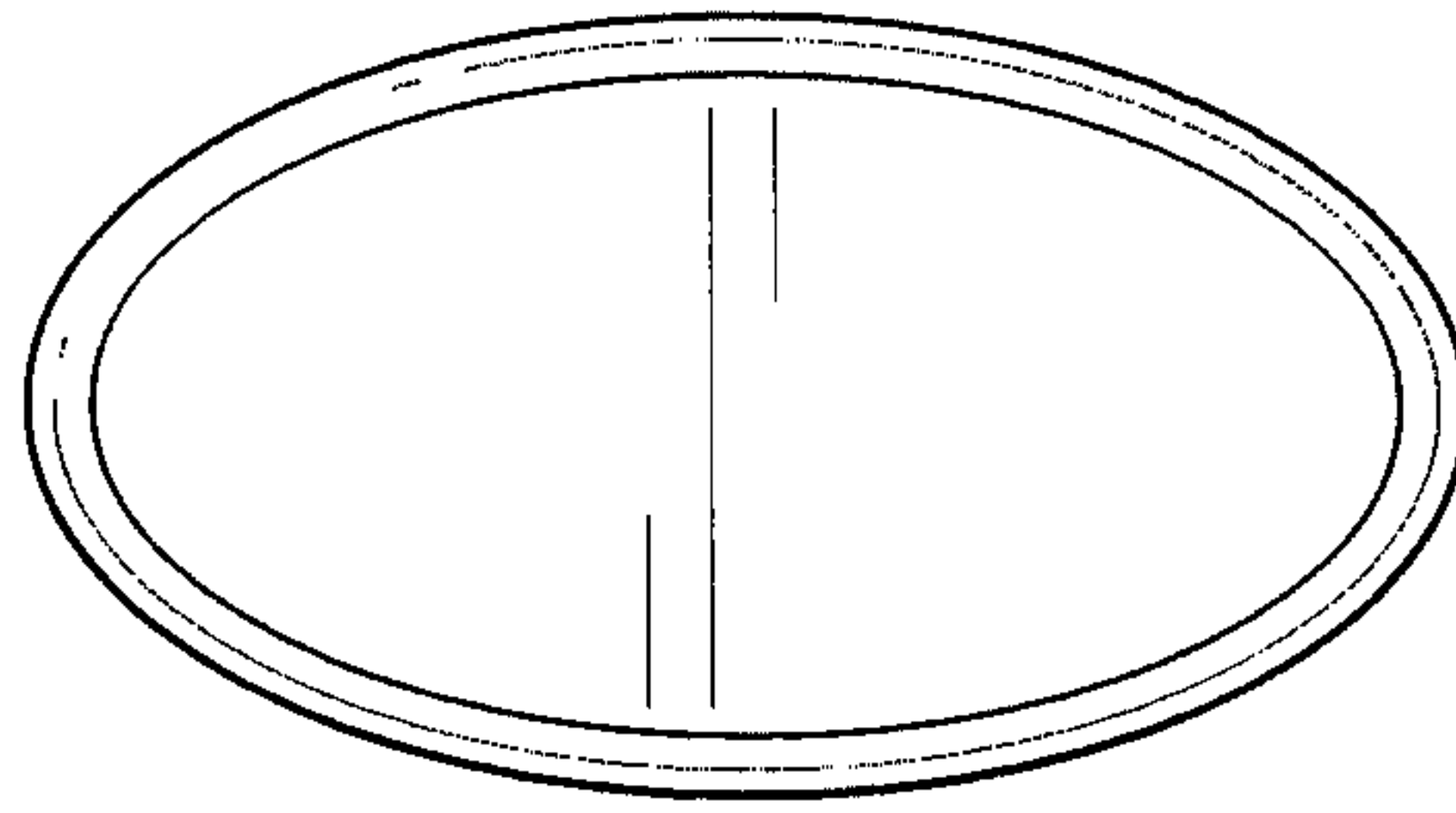


FIG. 13

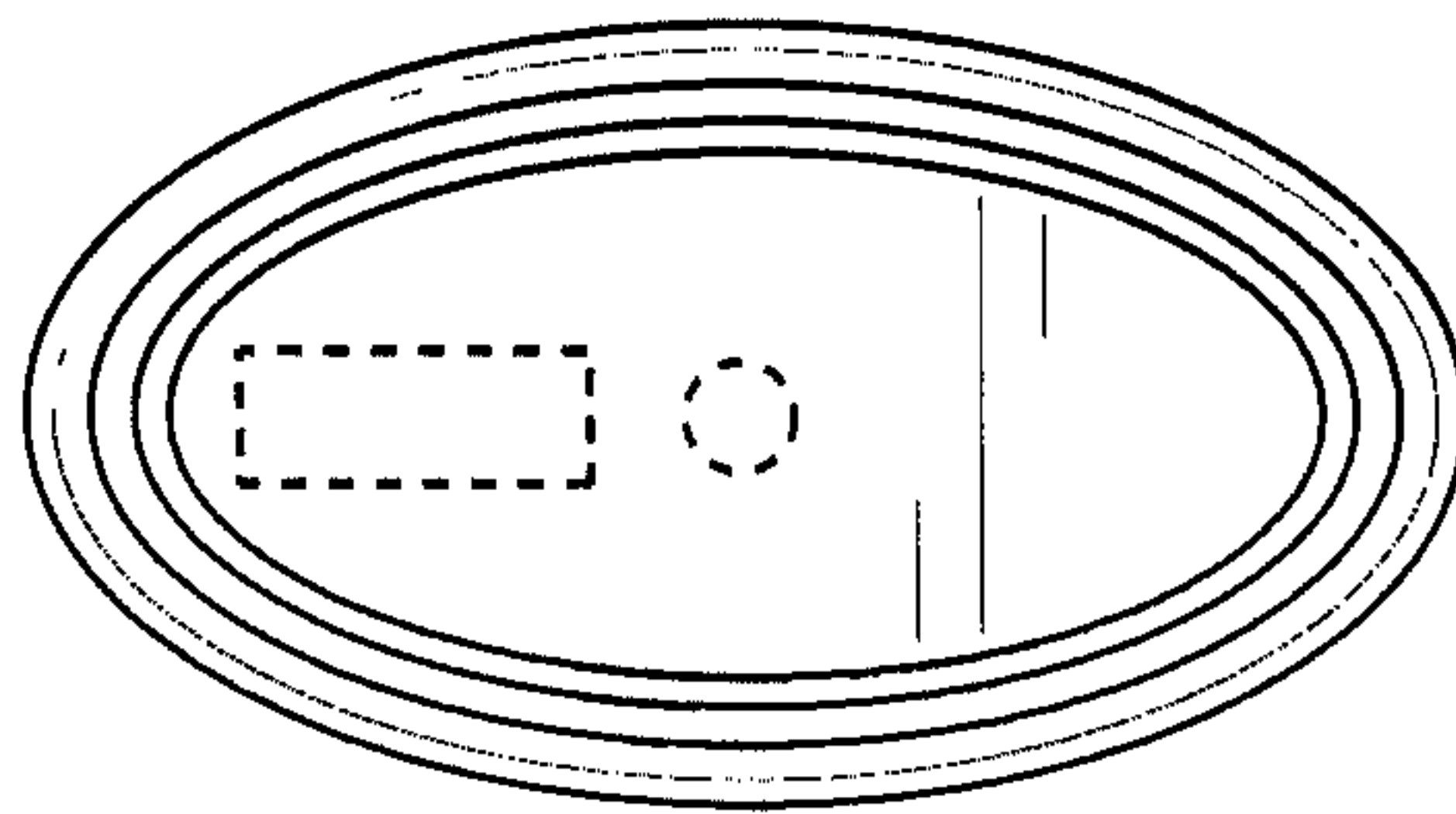


FIG. 14

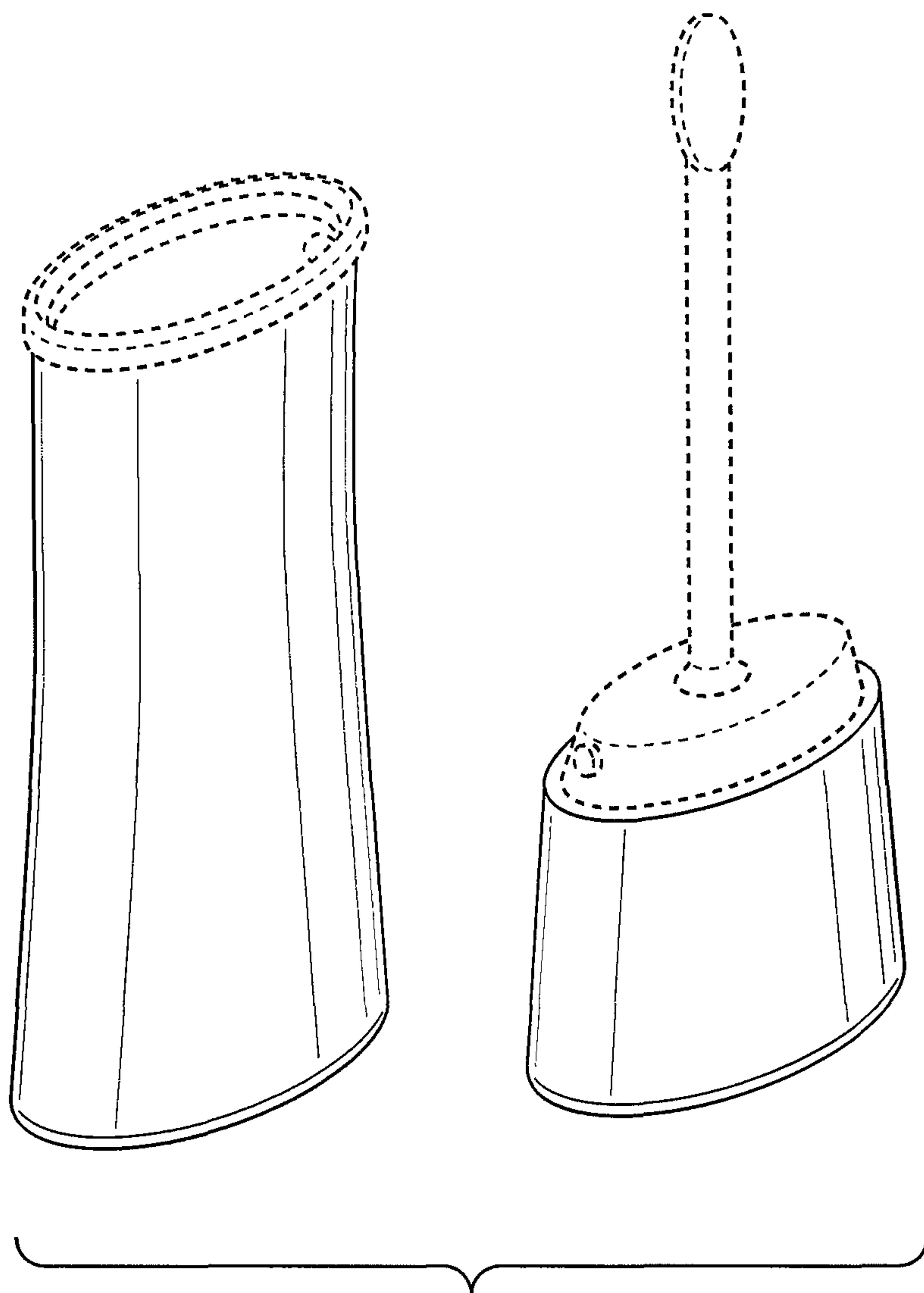


FIG. 15

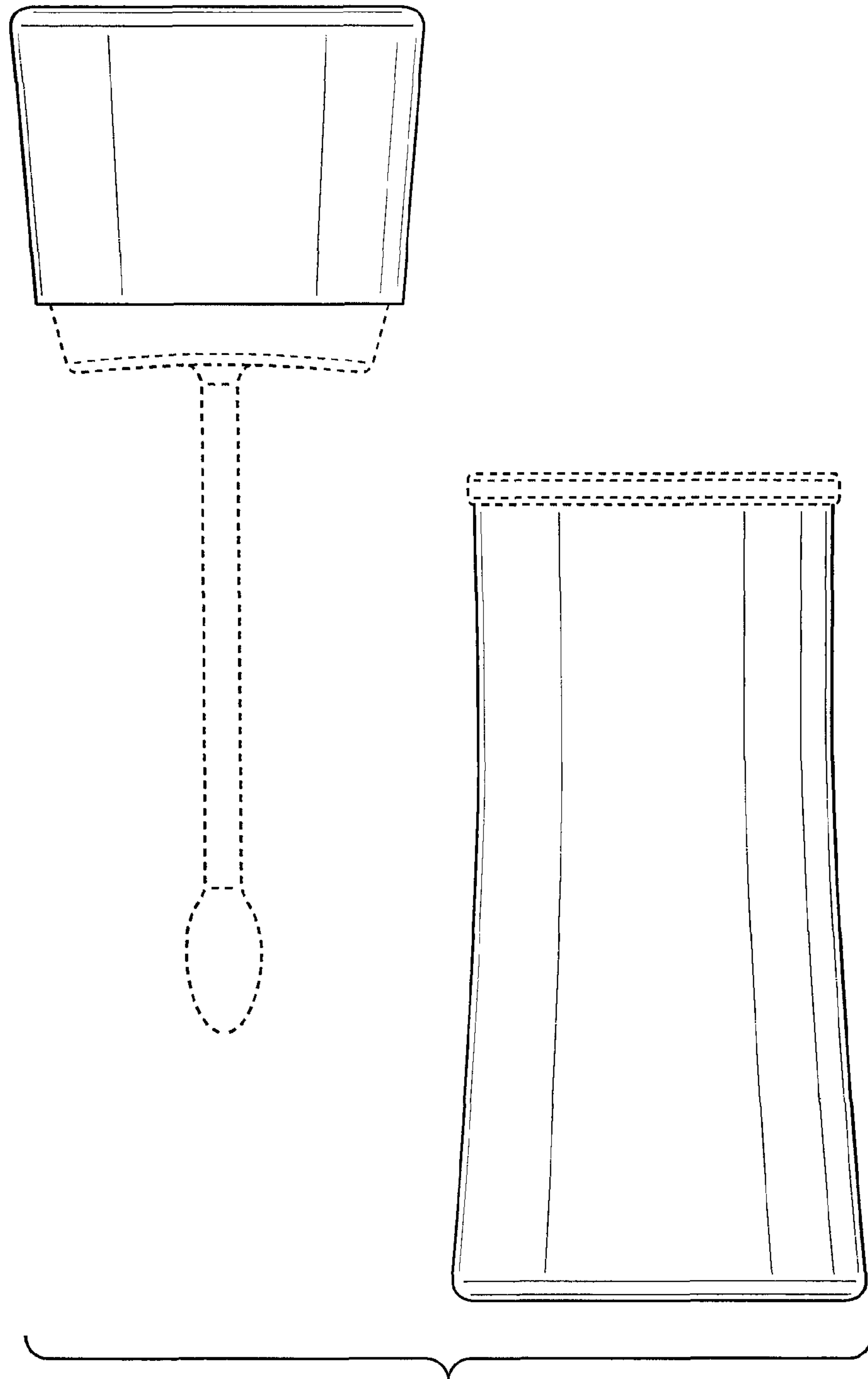


FIG. 16

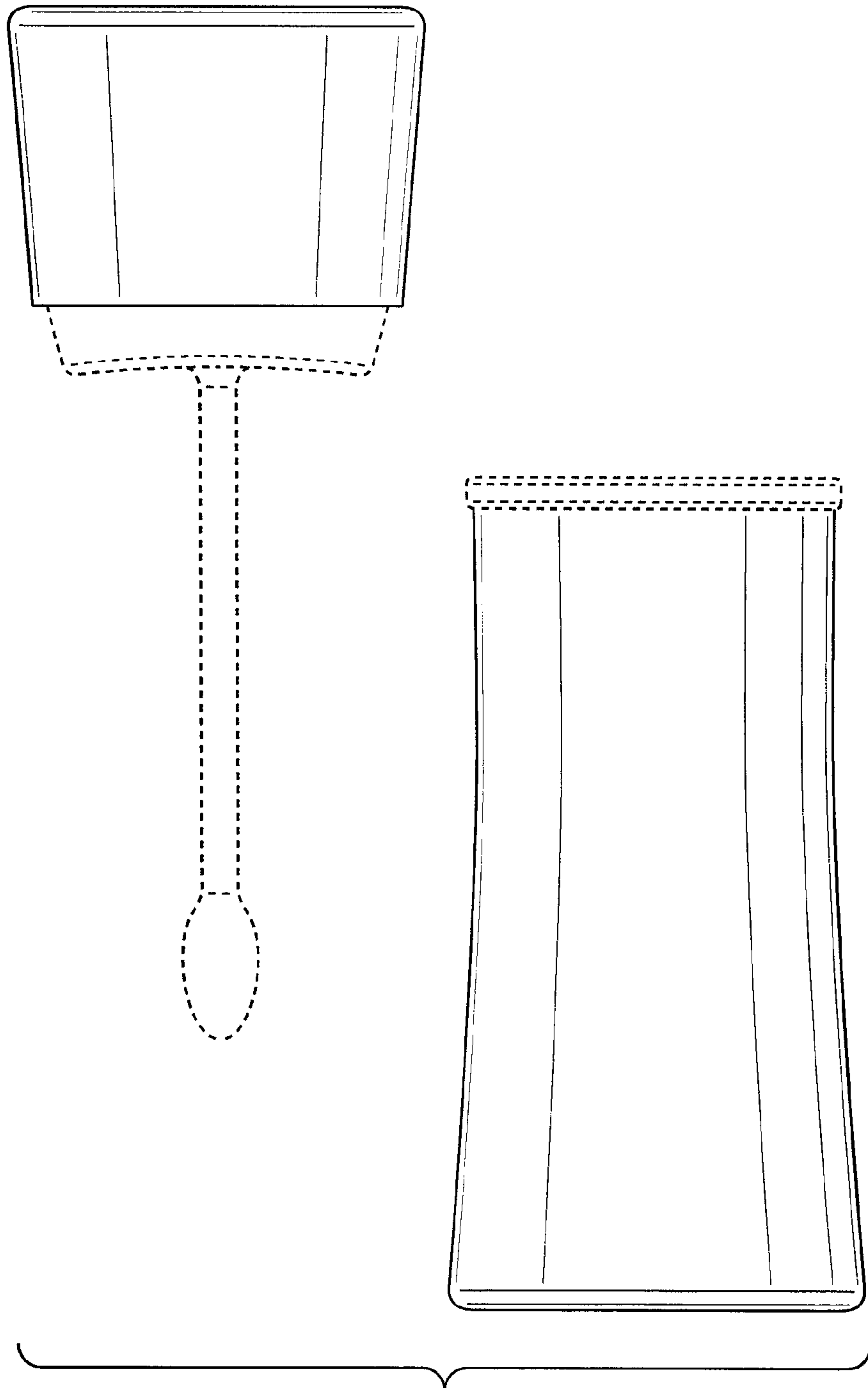


FIG. 17

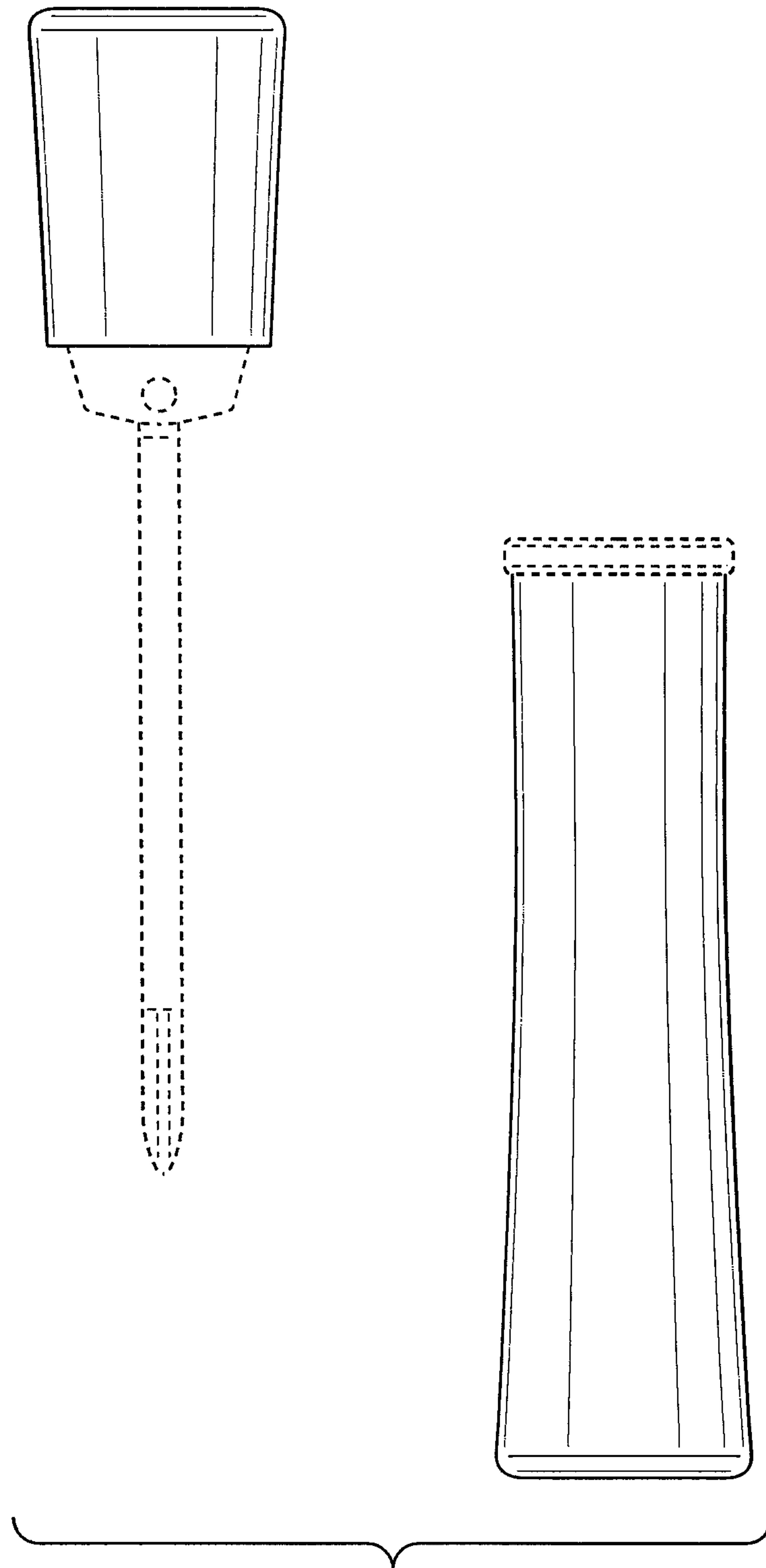


FIG. 18

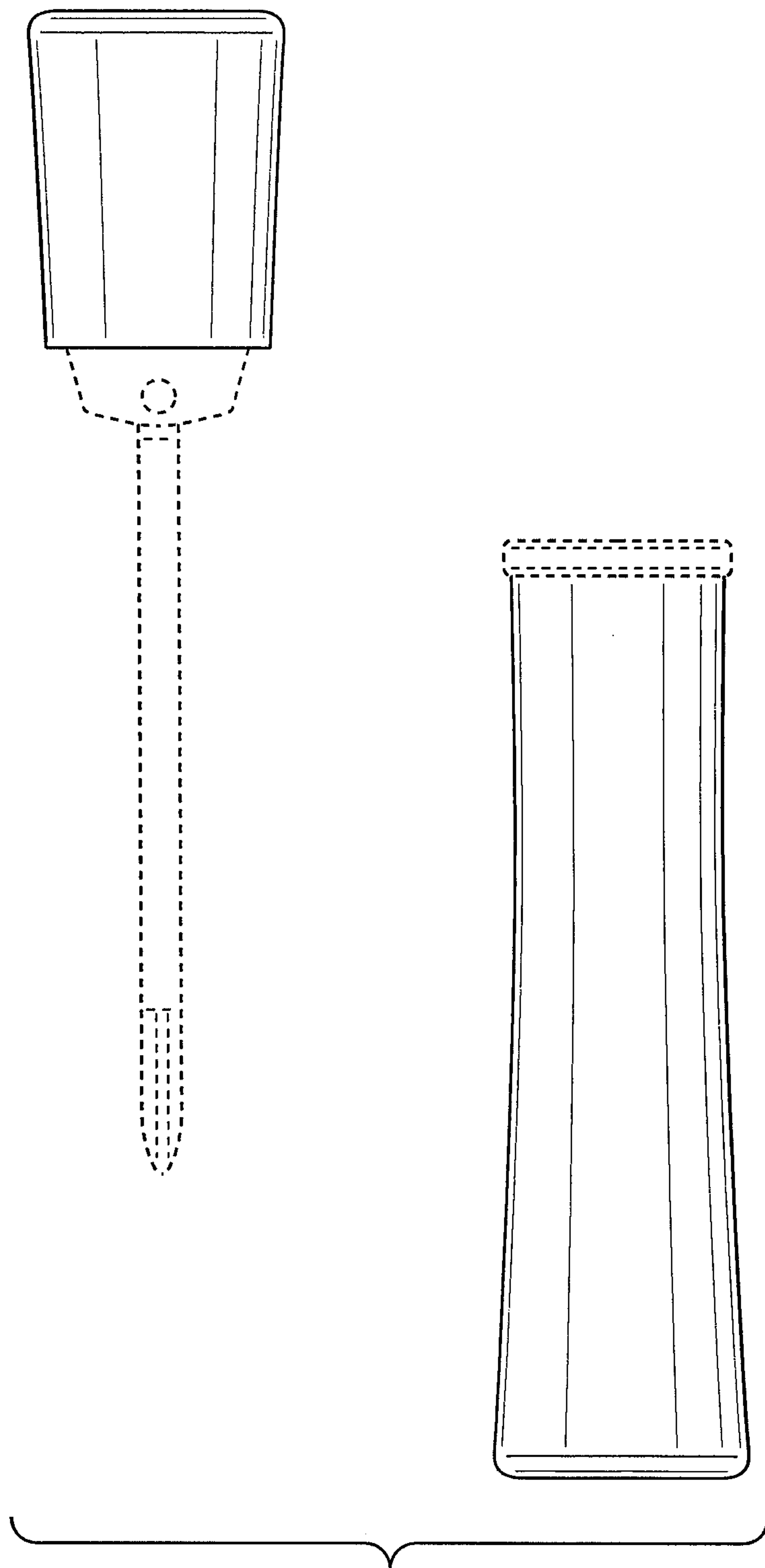


FIG. 19

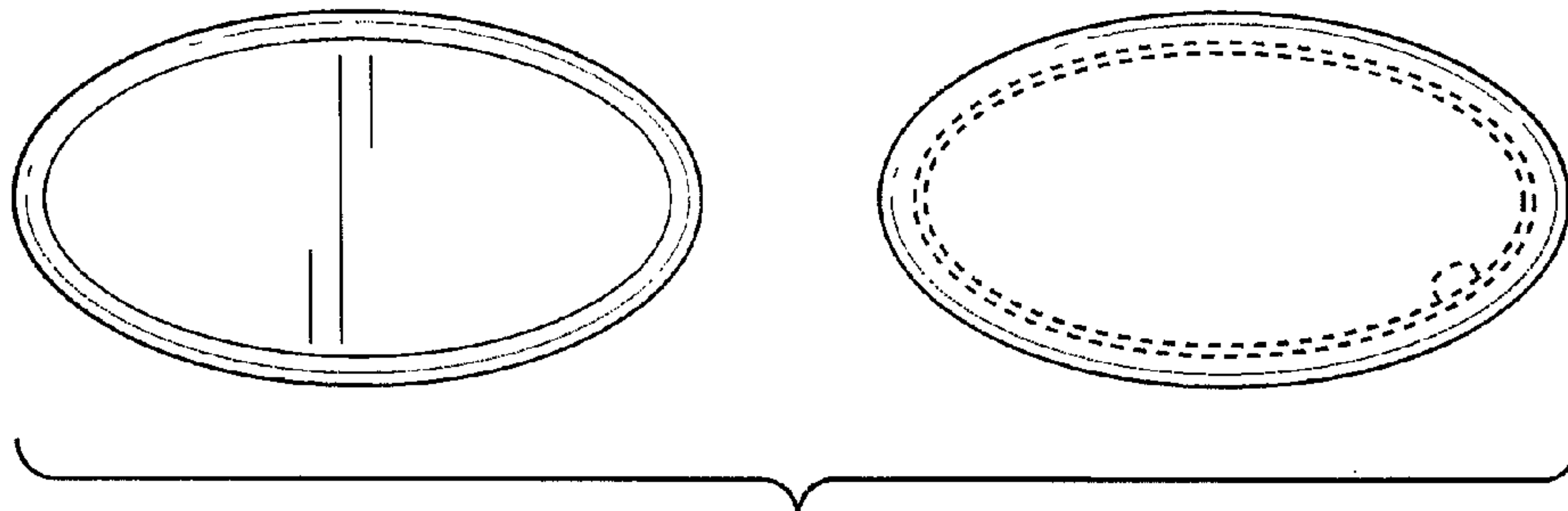


FIG. 20

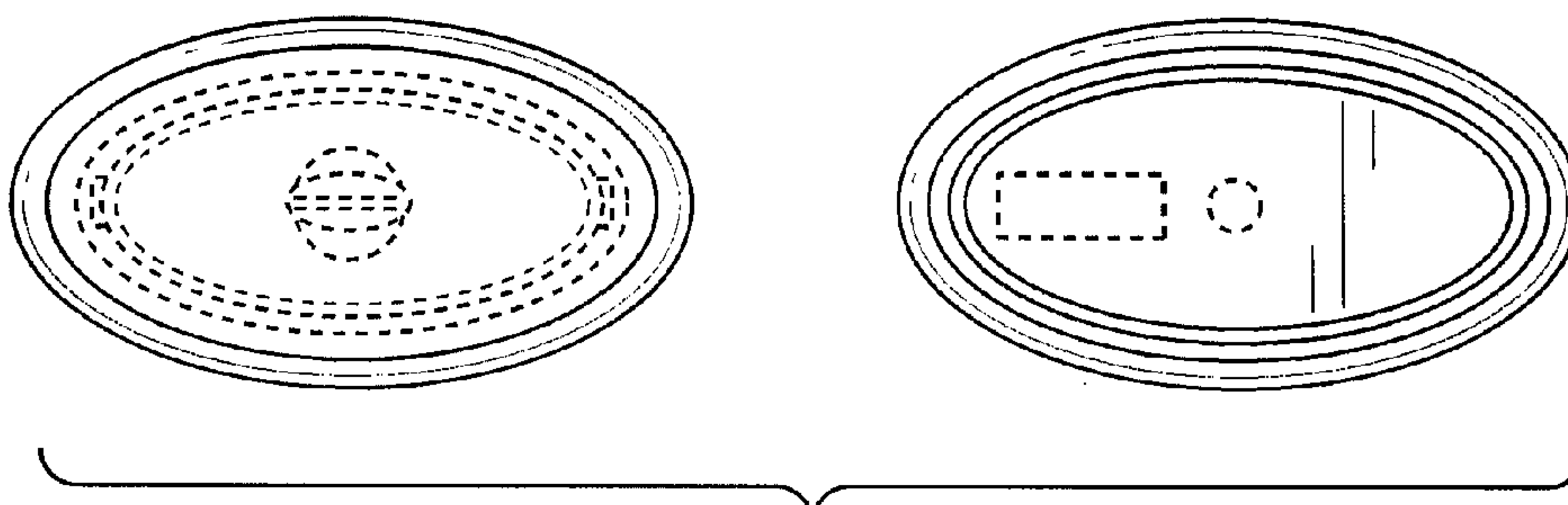


FIG. 21

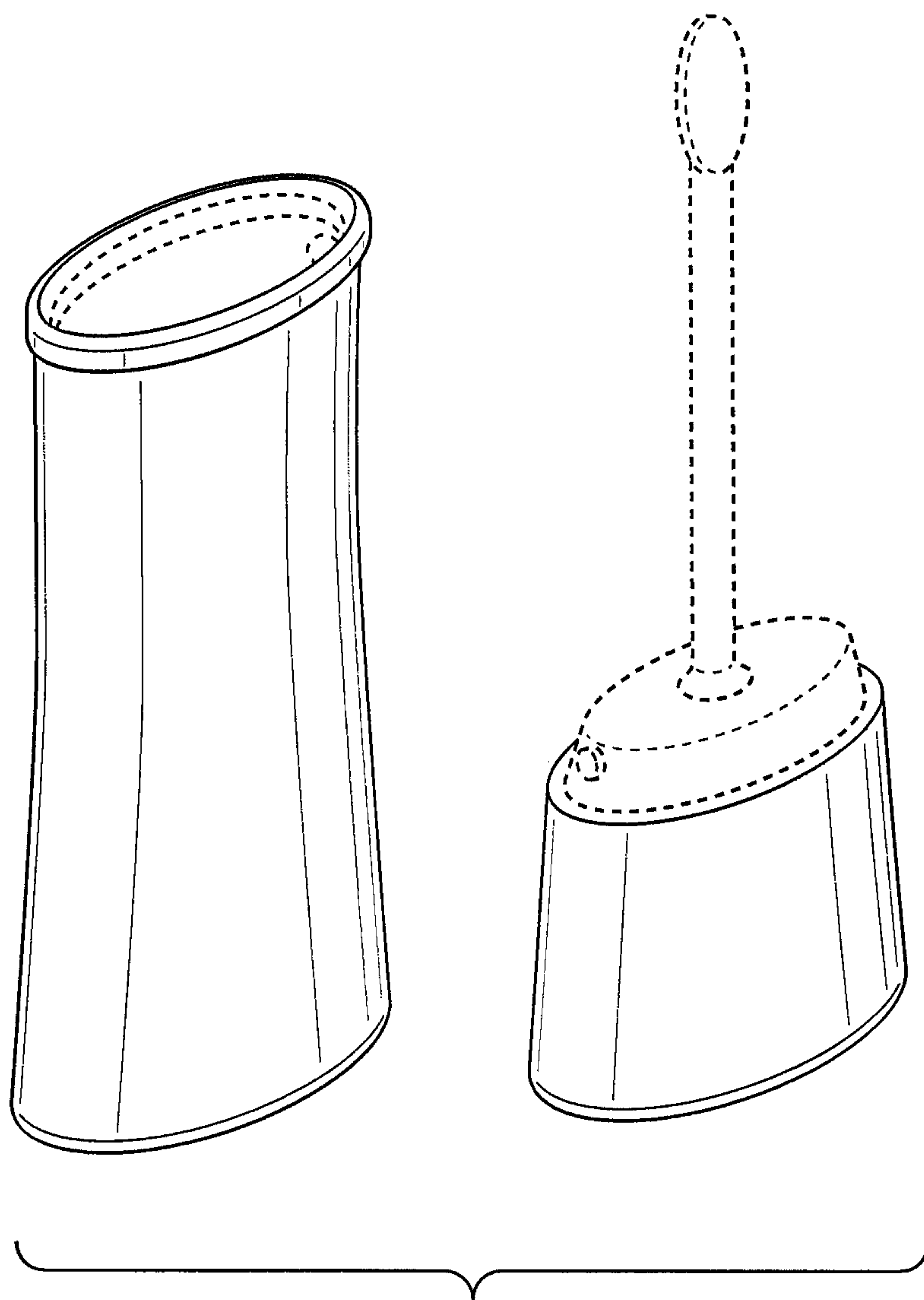


FIG. 22

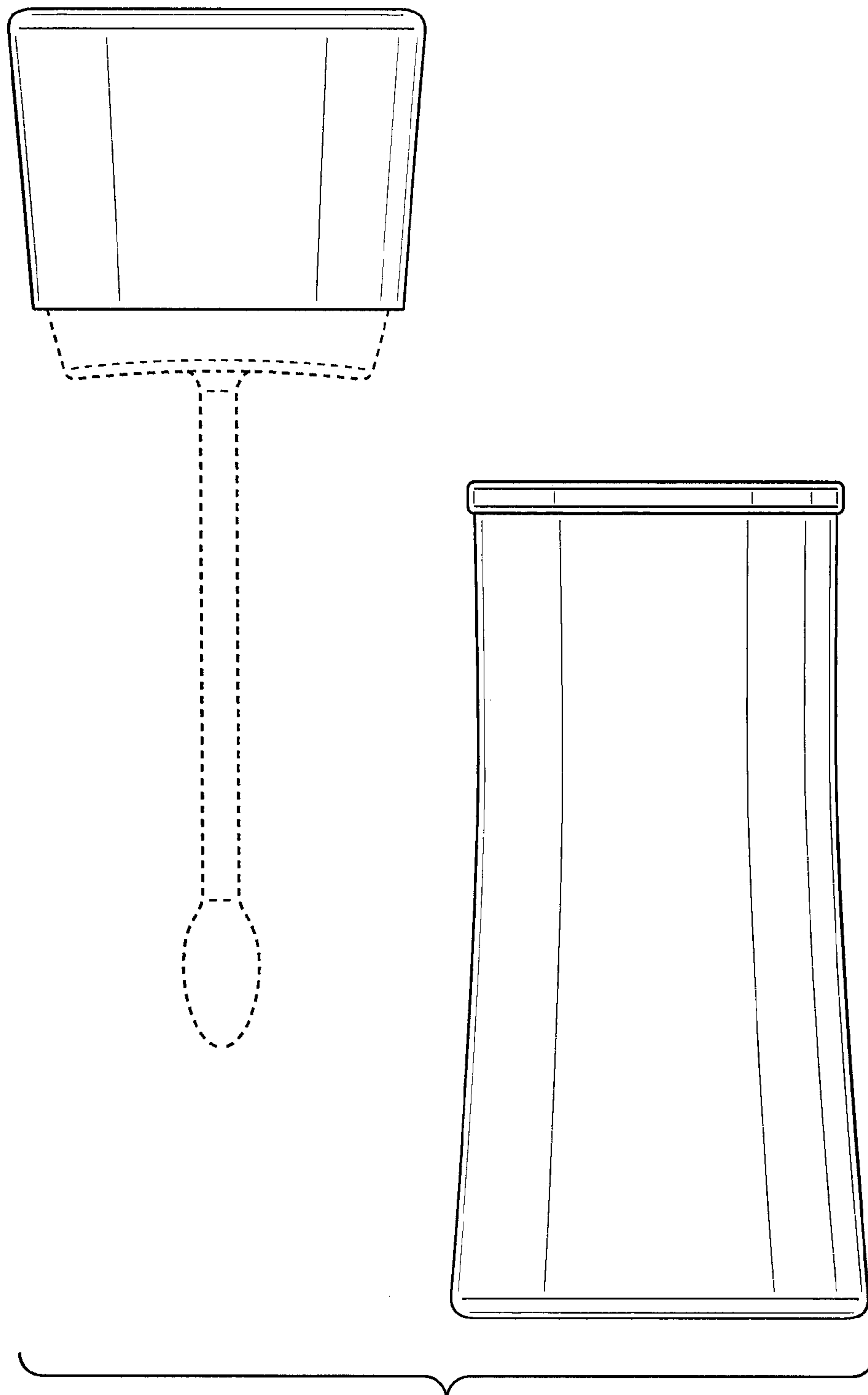


FIG. 23

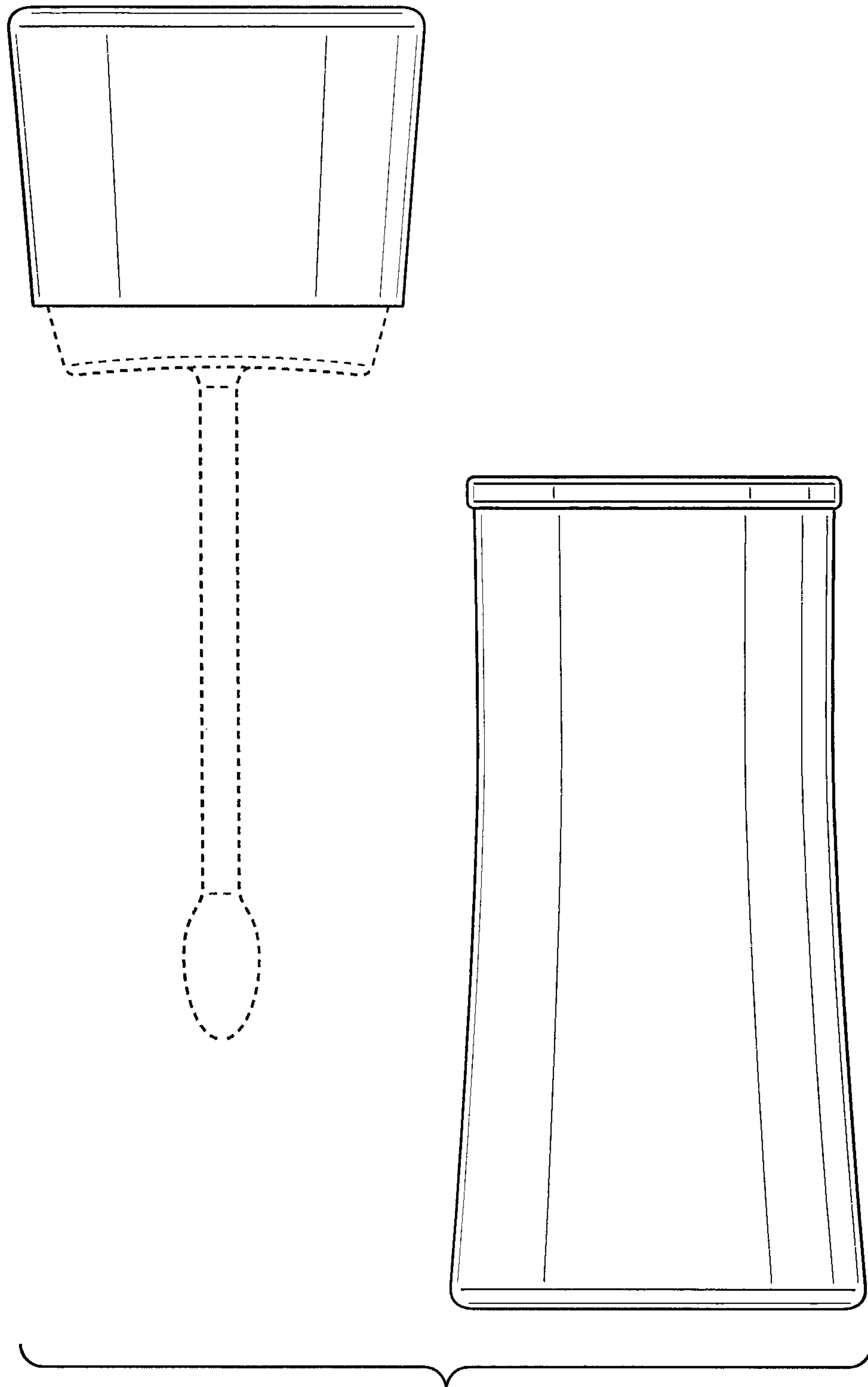


FIG. 24

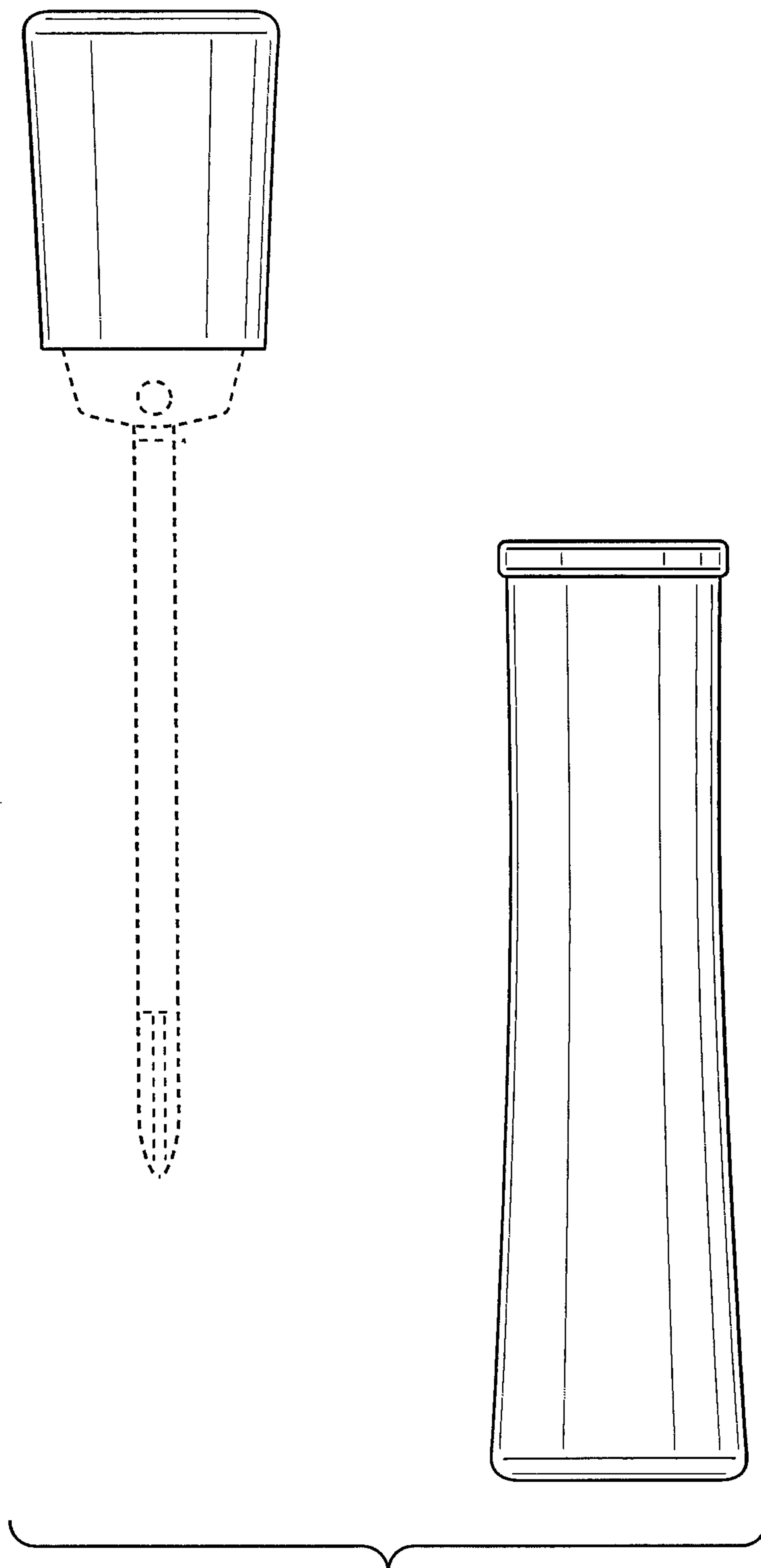


FIG. 25

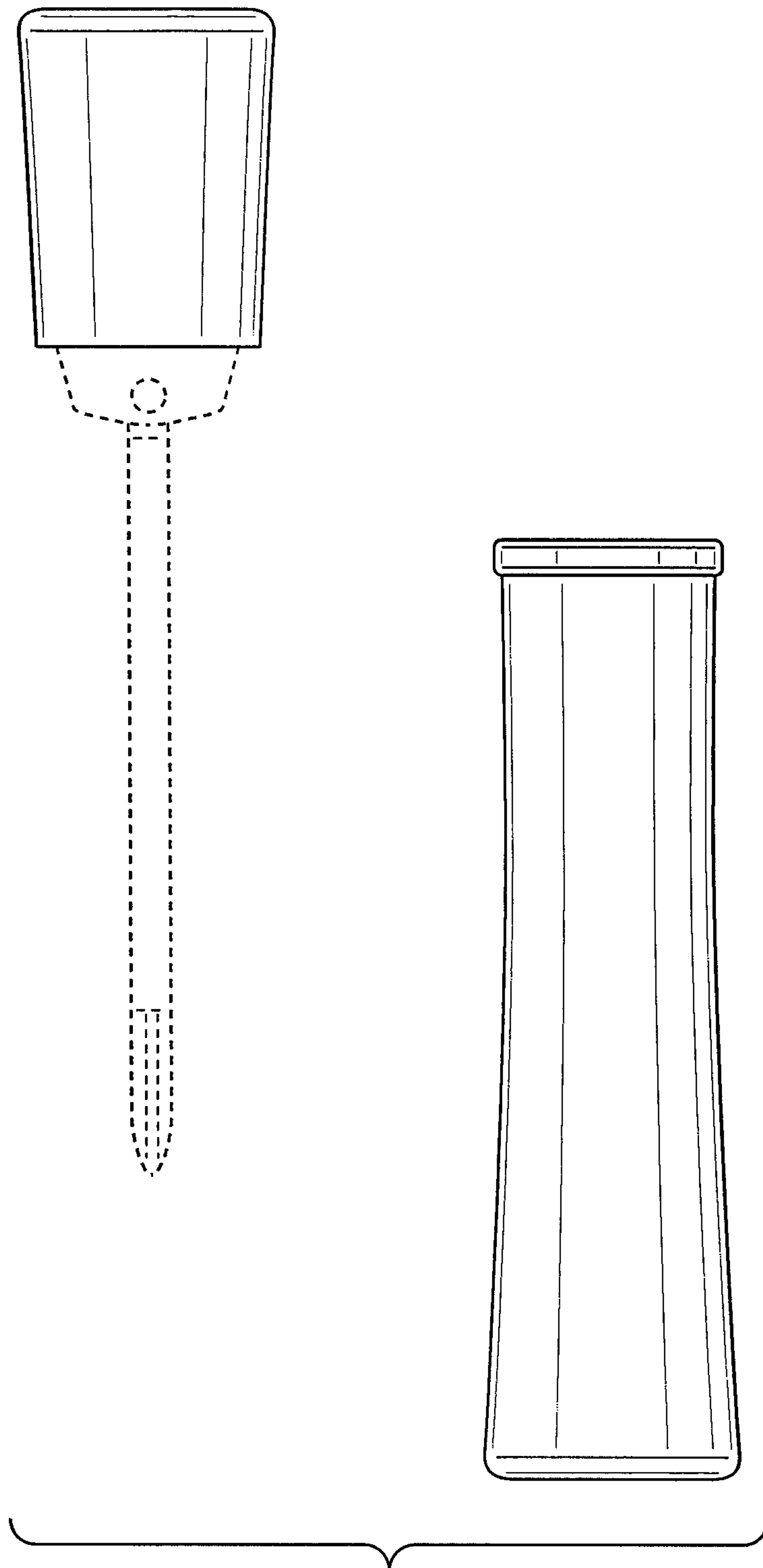


FIG. 26

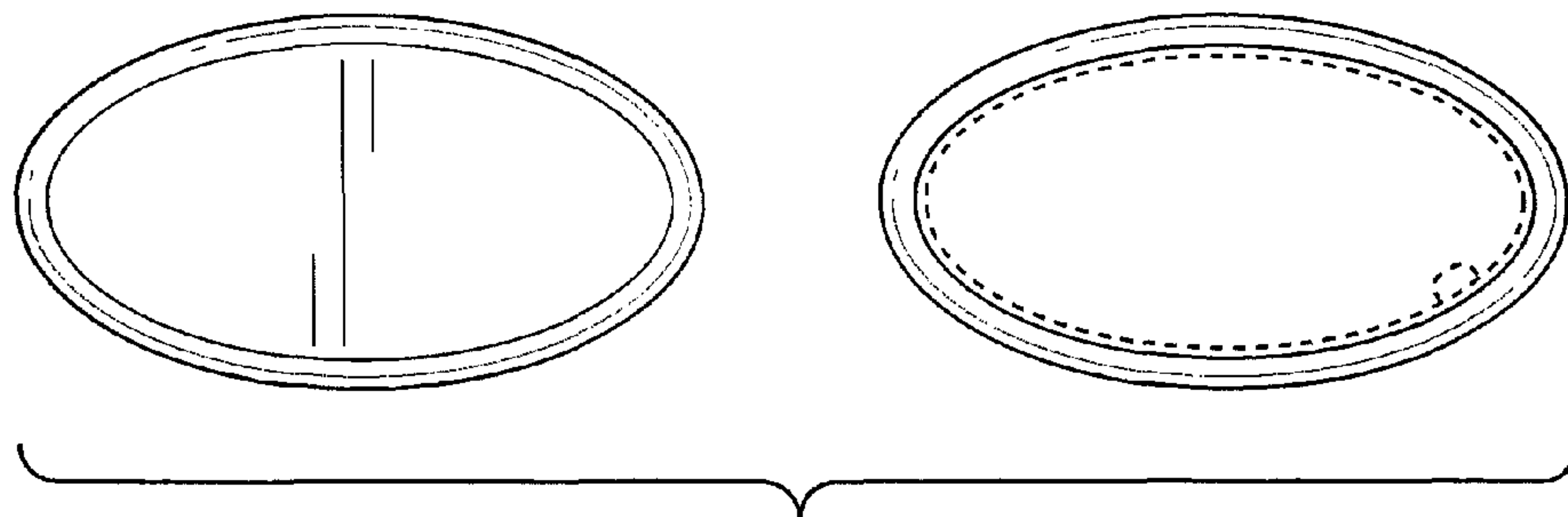


FIG. 27

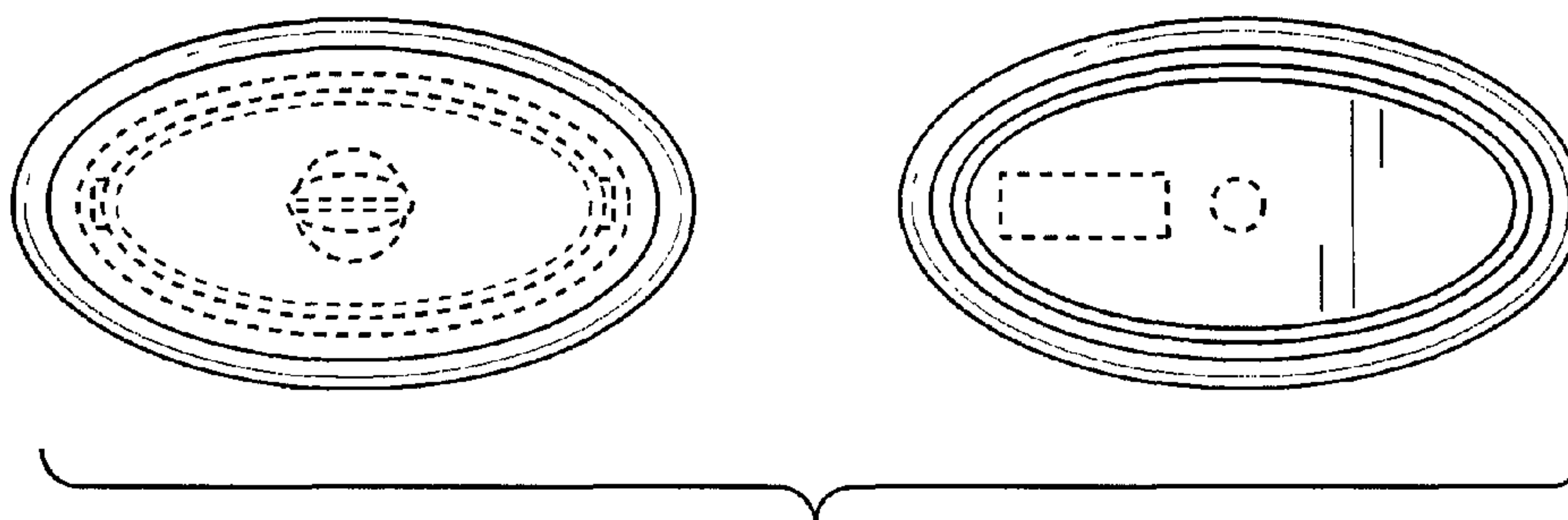


FIG. 28