



US00D721284S

(12) **United States Design Patent**
Yeo

(10) **Patent No.:** **US D721,284 S**
(45) **Date of Patent:** **** Jan. 20, 2015**

- (54) **COSMETIC CONTAINER**
- (75) Inventor: **Myung Kwon Yeo**, Bucheon (KR)
- (73) Assignee: **Toly Korea Inc.**, Bucheon (KR)
- (**) Term: **14 Years**
- (21) Appl. No.: **29/424,452**
- (22) Filed: **Jun. 12, 2012**
- (51) **LOC (10) Cl.** **09-01**
- (52) **U.S. Cl.**
USPC **D9/690; D9/684**
- (58) **Field of Classification Search**
USPC D9/682-694, 719, 737-739, 741,
D9/743-746, 754, 500-504, 520, 529, 435,
D9/436, 445, 447-450; D28/76, 77, 82,
D28/91, 91.1; 222/631, 635, 321.7-321.9,
222/372, 373, 378, 379, 383.1, 384-386,
222/398, 400.7, 400.8, 401, 402.1-402.25
See application file for complete search history.

D503,829	S	*	4/2005	Tanii et al.	D28/76
D522,378	S	*	6/2006	Honda	D9/689
D539,164	S	*	3/2007	Decottignies et al.	D9/684
7,469,804	B2	*	12/2008	Thiebaut	222/386
7,654,420	B2	*	2/2010	Honda et al.	222/386
D630,949	S	*	1/2011	Lim	D9/690
7,886,937	B2	*	2/2011	Py	222/321.7
D657,691	S	*	4/2012	Lim	D9/690
D691,897	S	*	10/2013	Jung et al.	D9/690
8,608,029	B2	*	12/2013	Lee	222/135
8,631,975	B2	*	1/2014	Lim	222/256

FOREIGN PATENT DOCUMENTS

GB	3019890	*	8/2005
KR	300549590.0000	*	1/2010
KR	300560608.0000	*	5/2010
KR	300625856.0000	*	12/2011
KR	300636578.0000	*	3/2012

* cited by examiner

Primary Examiner — Catherine Tuttle
(74) *Attorney, Agent, or Firm* — Maxon IP, LLC; Justin H. Kim

(57) **CLAIM**

The ornamental design for a cosmetic container, as shown and described.

DESCRIPTION

FIG. 1 is a perspective view showing my new design for a cosmetic container;
FIG. 2 is a front view thereof;
FIG. 3 is a left-side view thereof; and,
FIG. 4 is a top view thereof.

1 Claim, 3 Drawing Sheets

(56) **References Cited**

U.S. PATENT DOCUMENTS

D187,162	S	*	2/1960	Lerner et al.	D9/905
4,913,322	A	*	4/1990	Stoffler et al.	222/207
4,946,076	A	*	8/1990	Hackmann et al.	222/207
5,052,592	A	*	10/1991	Wilken et al.	222/212
5,178,300	A	*	1/1993	Haviv et al.	222/95
D388,700	S	*	1/1998	Quansah	D9/737
D388,707	S	*	1/1998	de Laforcade	D9/448
D401,150	S	*	11/1998	de Laforcade	D9/448
D484,644	S	*	12/2003	Noh	D28/76

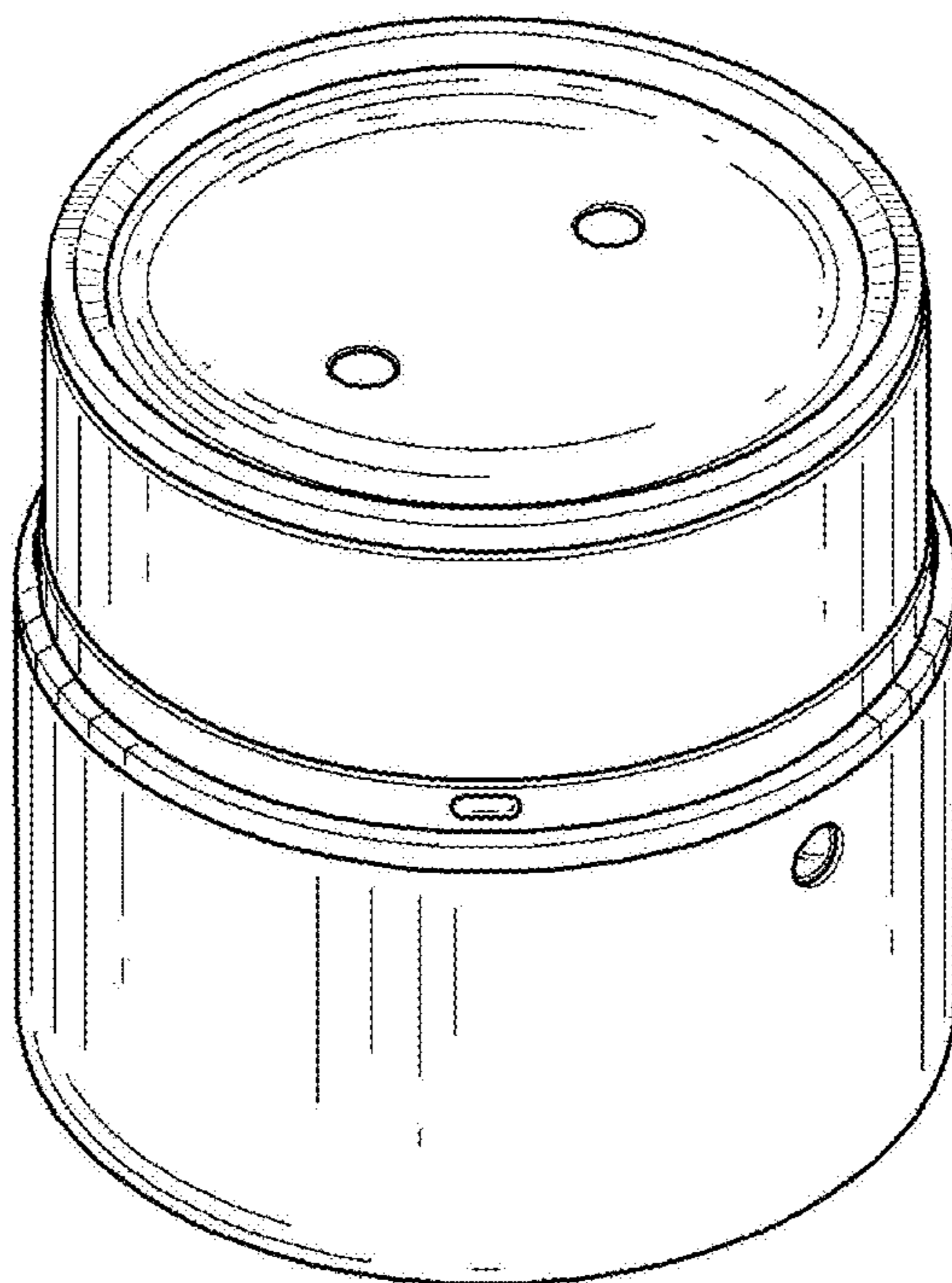


FIG. 1

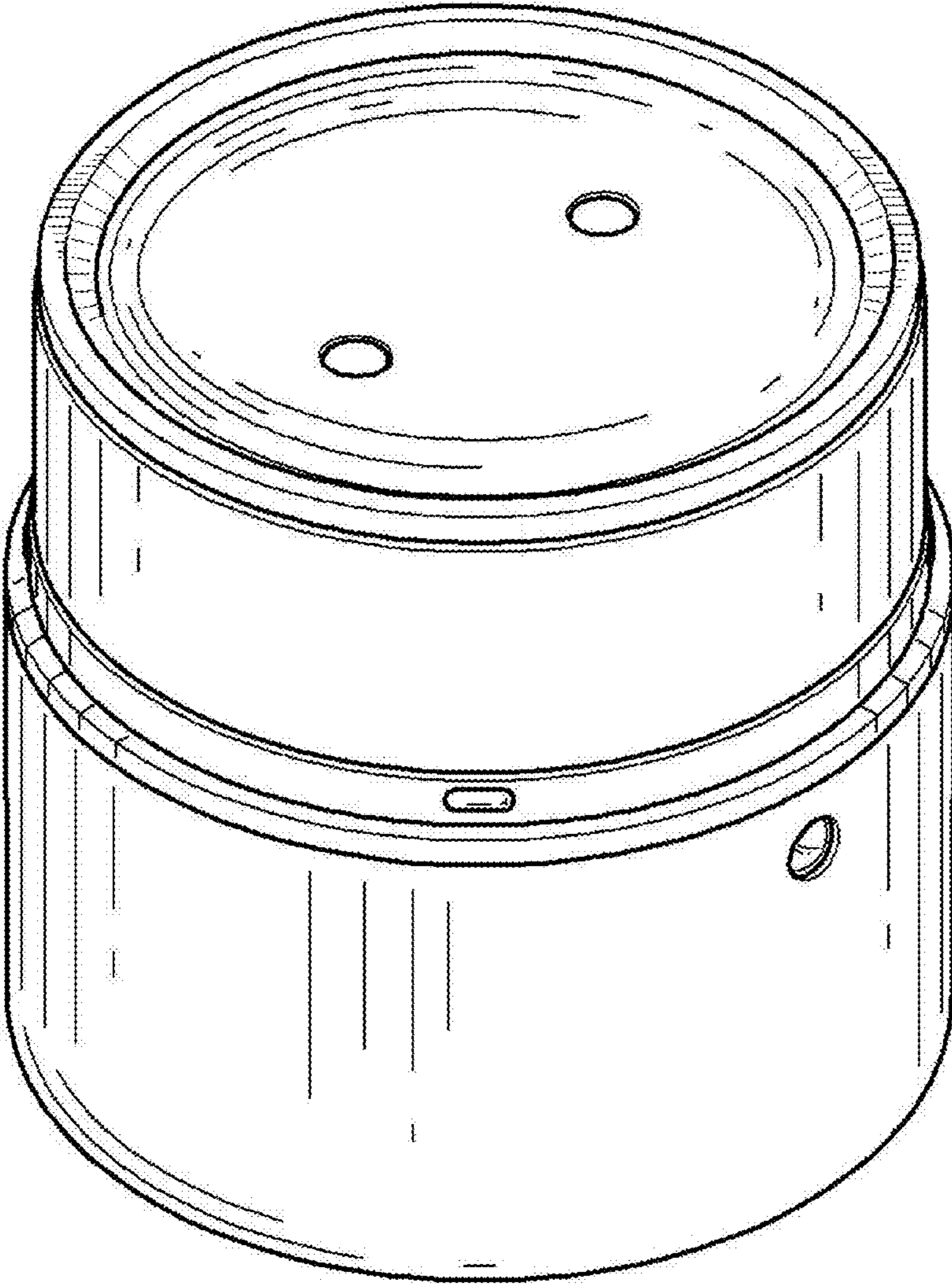


FIG. 2

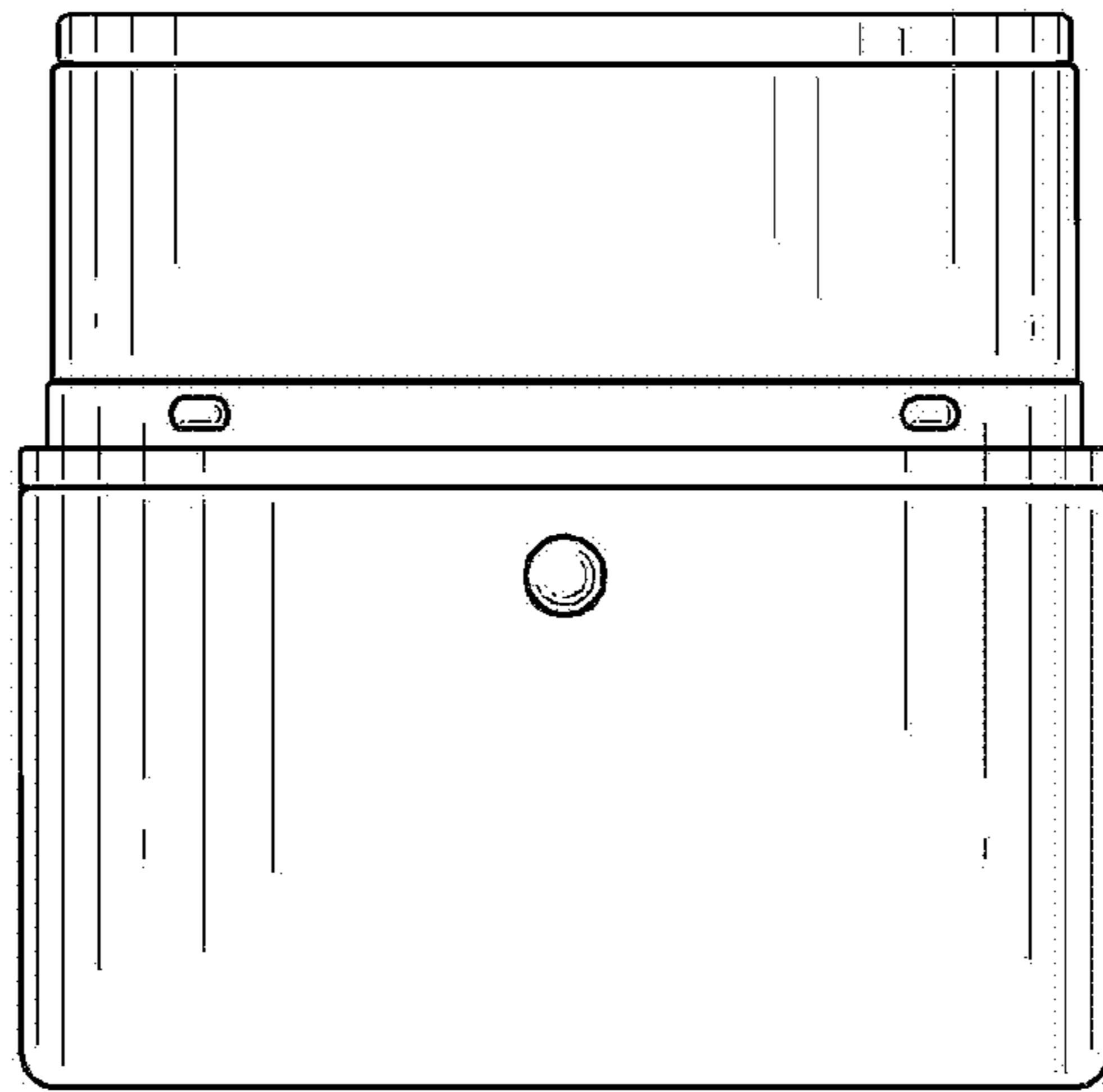


FIG. 3

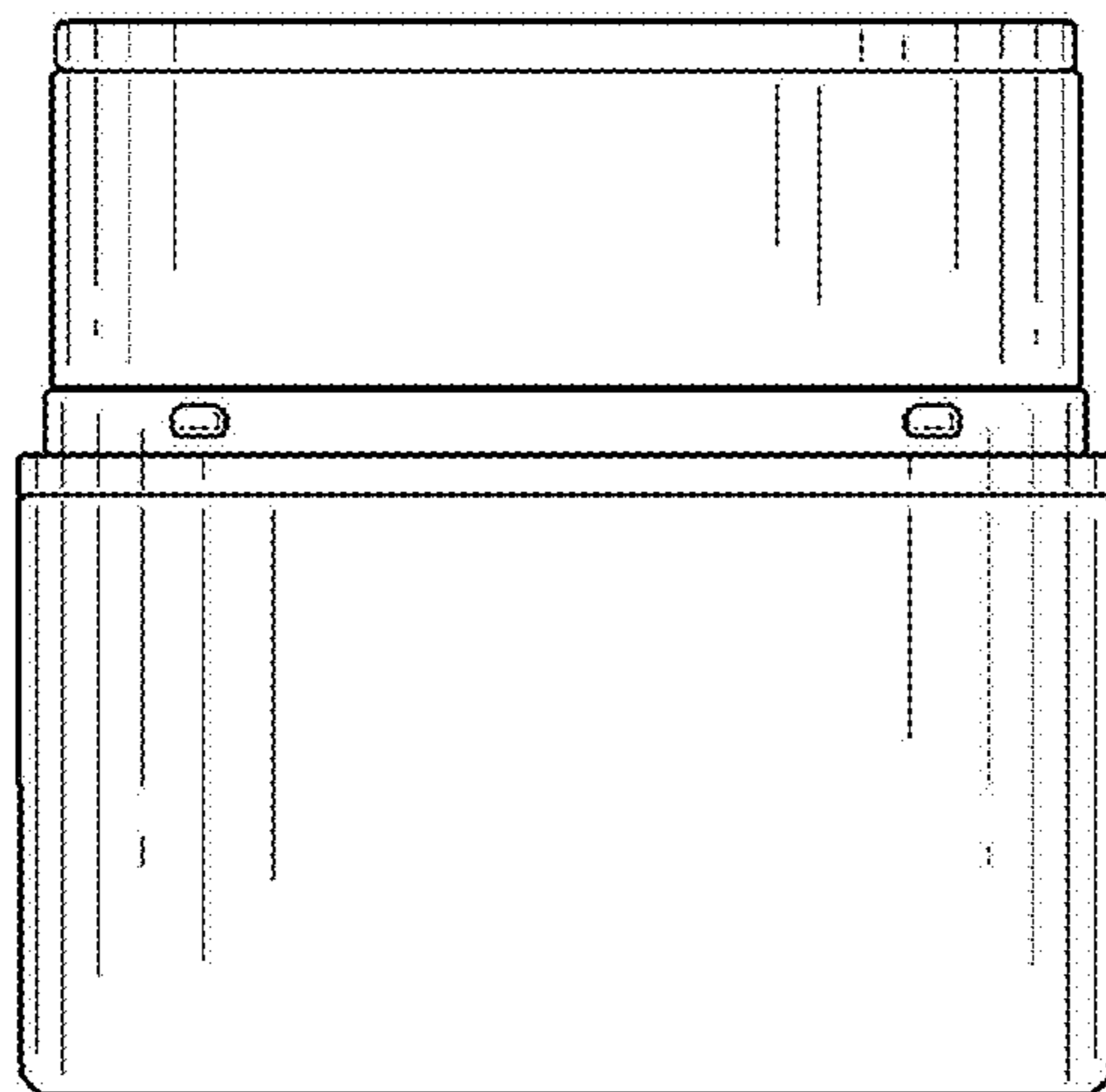


FIG.4

