



US00D721276S

(12) **United States Design Patent**
Herbst

(10) **Patent No.:** **US D721,276 S**
(45) **Date of Patent:** **** Jan. 20, 2015**

(54) **DRINKING BOTTLE CAP WITH TRAPEZOIDAL LID**

D707,124 S * 6/2014 Blain et al. D9/443
RE45,055 E * 8/2014 Roth et al. D7/510
2010/0224631 A1* 9/2010 Roth et al. 220/288

(71) Applicant: **O2Cool, LLC**, Chicago, IL (US)

OTHER PUBLICATIONS

(72) Inventor: **Scot Herbst**, Santa Cruz, CA (US)

Prism Drinking Bottle by O2 Cool dated 2014. found online Sep. 4, 2014. http://www.o2-cool.com/Prism-Drinking-Bottle-HBSSR01?page_id=856.*

(73) Assignee: **O2Cool, LLC**, Chicago, IL (US)

(**) Term: **14 Years**

* cited by examiner

(21) Appl. No.: **29/442,543**

Primary Examiner — Robert M Spear

Assistant Examiner — Marissa J Cash

(22) Filed: **Mar. 19, 2013**

(74) *Attorney, Agent, or Firm* — Knechtel, Demeur & Samlan

(51) **LOC (10) Cl.** **09-07**

(52) **U.S. Cl.**
USPC **D9/449**; D7/396.2

(57) **CLAIM**

I claim the ornamental design for a drinking bottle cap with trapezoidal lid, as shown and described.

(58) **Field of Classification Search**
CPC B65D 1/0223; B65D 1/0207; B65D 47/06; B65D 23/00
USPC D6/542–545; D7/300, 321, 392.1, D7/396.2, 500, 507, 509, 510, 511, 900; D9/434–449, 452–455, 682, 685; 215/200, 235, 236, 252, 259, 329, 215/355–364; 220/200, 220, 254.1, 254.4, 220/556, 703, 704, 705, 203.04–203.07; D28/4, 76, 88, 89, 82, 91.1

DESCRIPTION

See application file for complete search history.

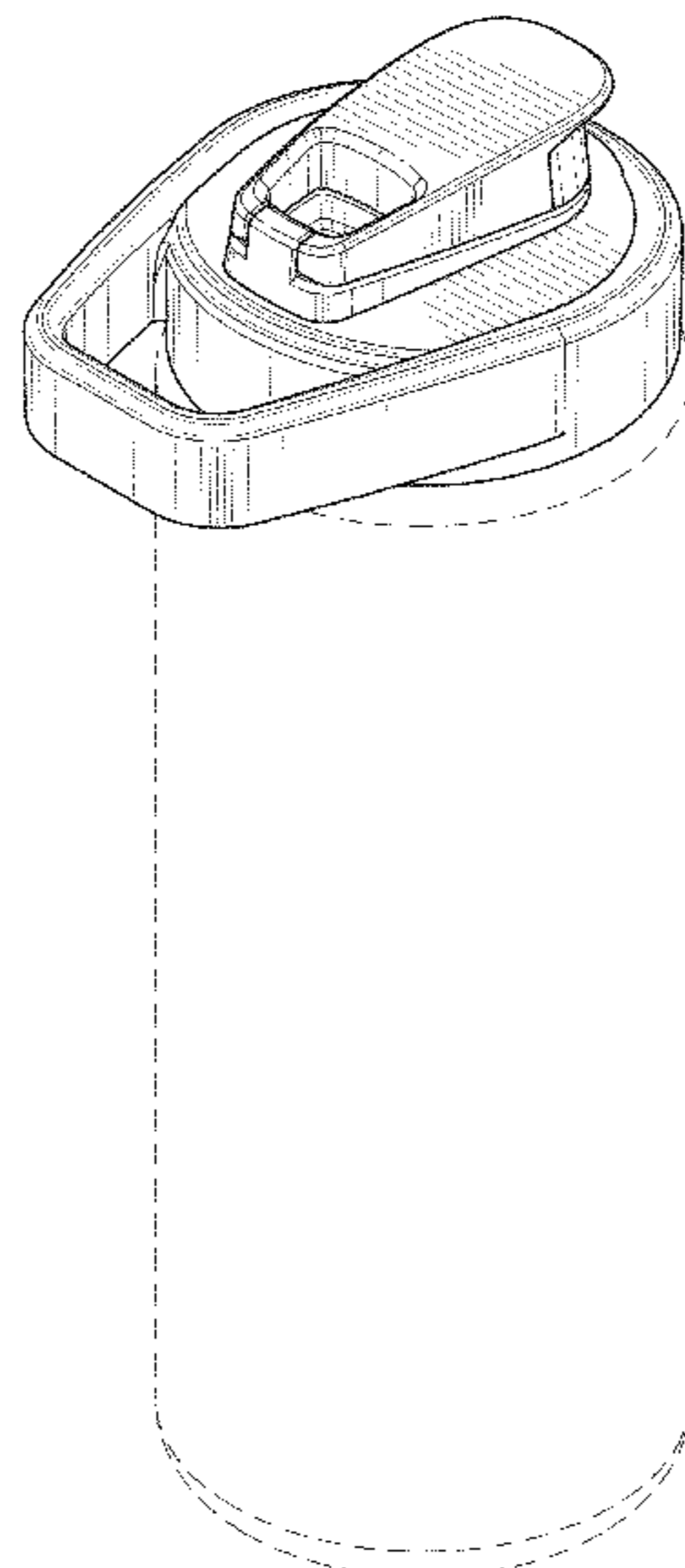
FIG. 1 is a front perspective view of the drinking bottle cap with trapezoidal lid;
FIG. 2 is a rear perspective view of the drinking bottle cap with trapezoidal lid;
FIG. 3 is a side elevational view of the drinking bottle cap with trapezoidal lid;
FIG. 4 is a side elevational view of the opposed side of the drinking bottle cap with trapezoidal lid;
FIG. 5 is a front elevational view of the drinking bottle cap with trapezoidal lid;
FIG. 6 is a rear elevational view of the drinking bottle cap with trapezoidal lid;
FIG. 7 is a top elevational view of the drinking bottle cap with trapezoidal lid; and,
FIG. 8 is a bottom elevational view of the drinking bottle cap with trapezoidal lid.
The broken lines in the drawings represent unclaimed environmental subject matter and form no part of the claim.

(56) **References Cited**

U.S. PATENT DOCUMENTS

D471,455 S * 3/2003 Laveault et al. D9/443
D592,913 S * 5/2009 Pinelli et al. D7/608
D640,093 S * 6/2011 Picozza et al. D7/413
D649,879 S * 12/2011 Gullickson et al. D9/450
D652,256 S * 1/2012 Eyal D7/510
D682,034 S * 5/2013 El-Saden et al. D7/510
D696,551 S * 12/2013 Meyers et al. D7/392.1
D700,014 S * 2/2014 Zeanah D7/510
D700,515 S * 3/2014 Herbst D9/448

1 Claim, 7 Drawing Sheets



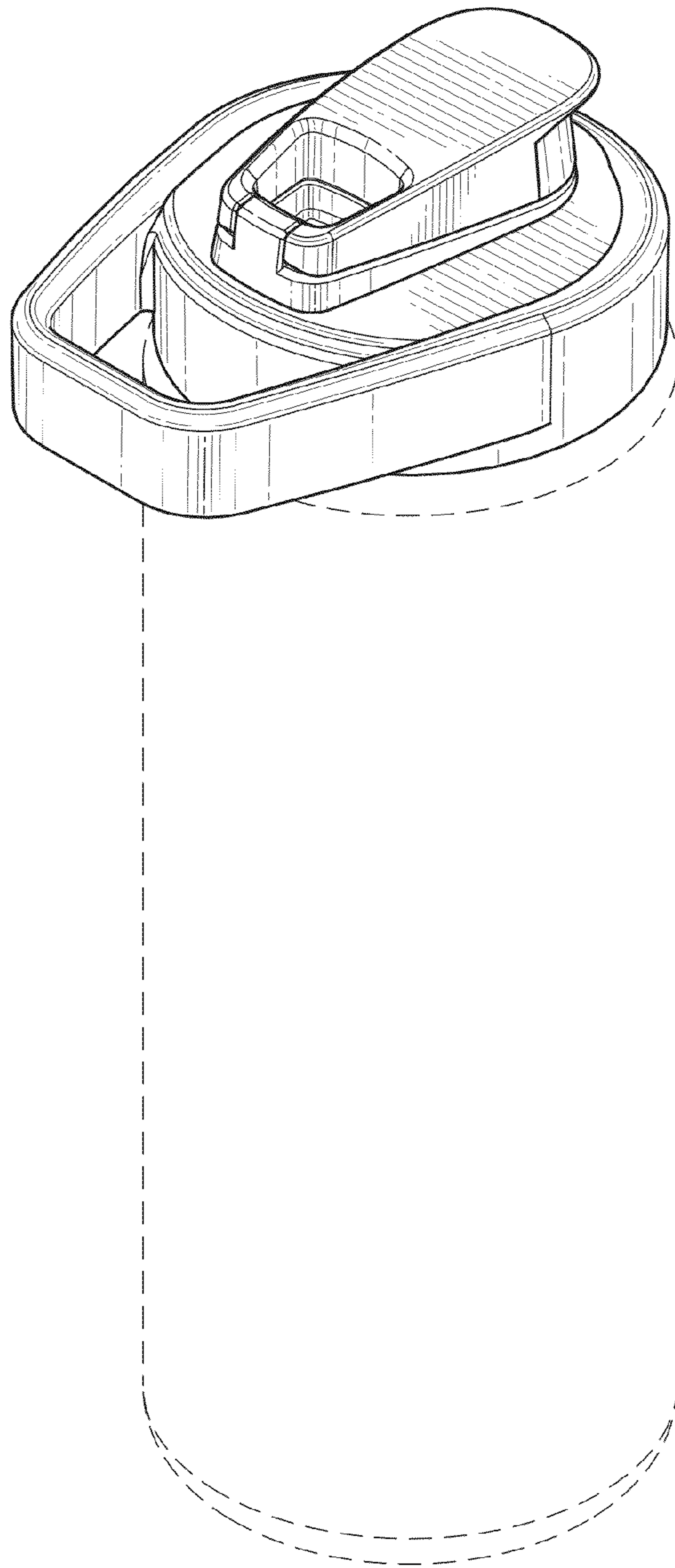


FIG. 1

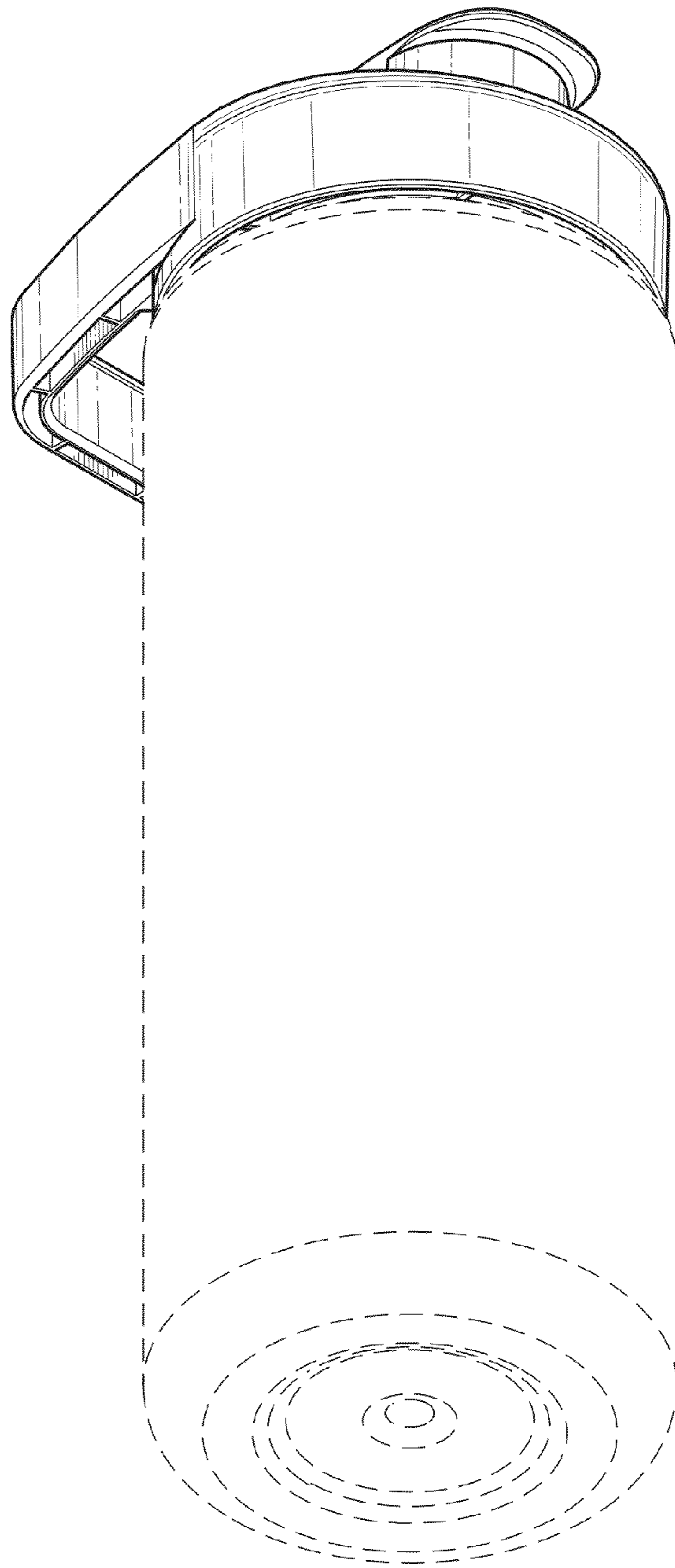


FIG. 2

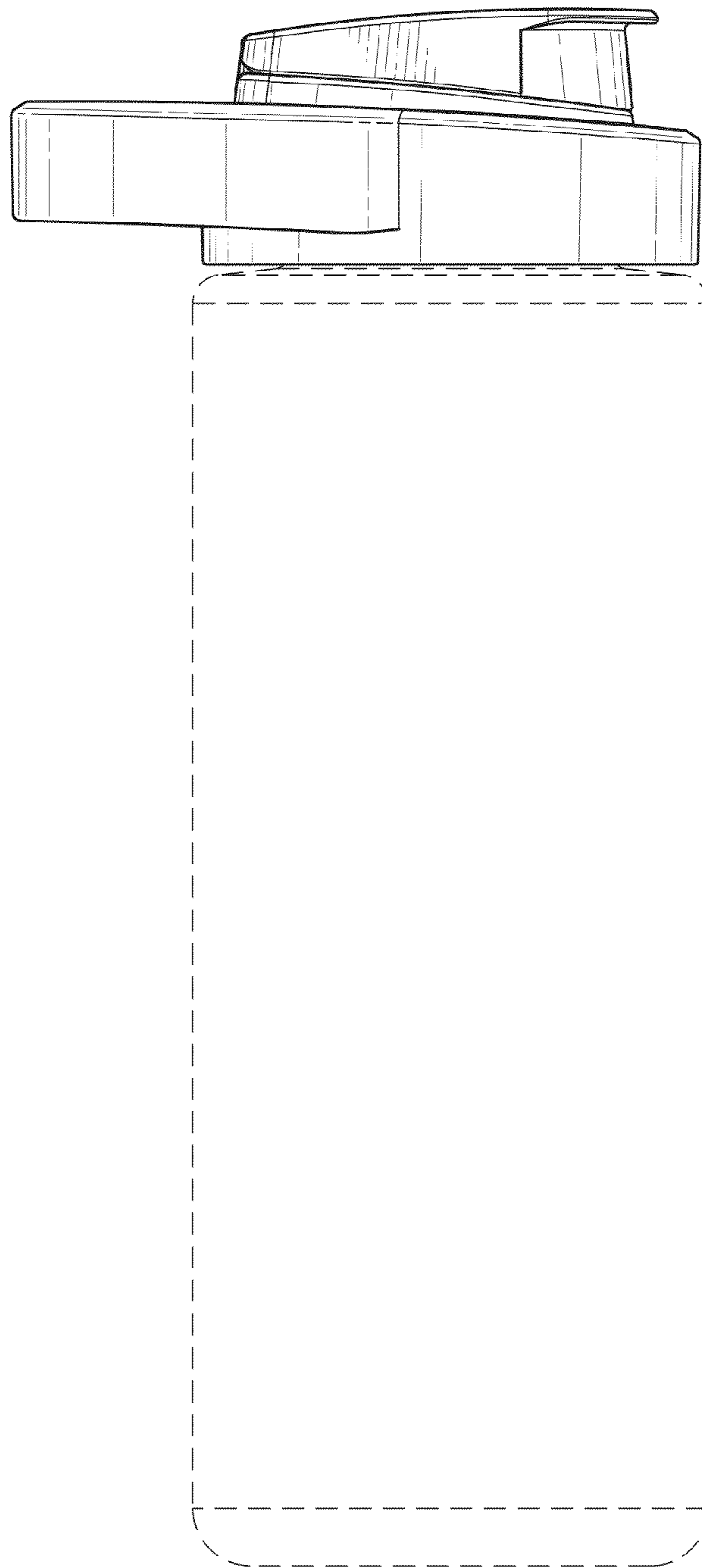


FIG. 3

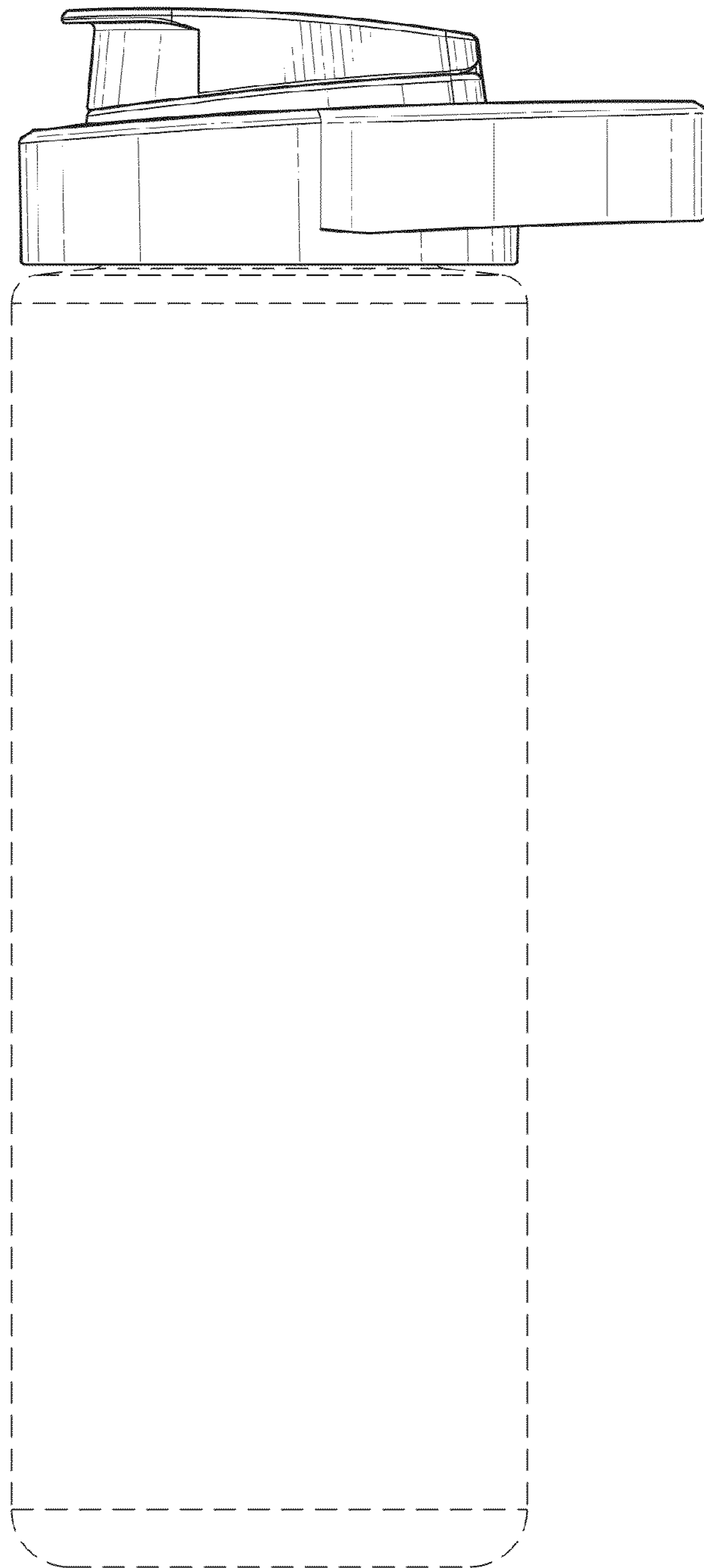


FIG. 4

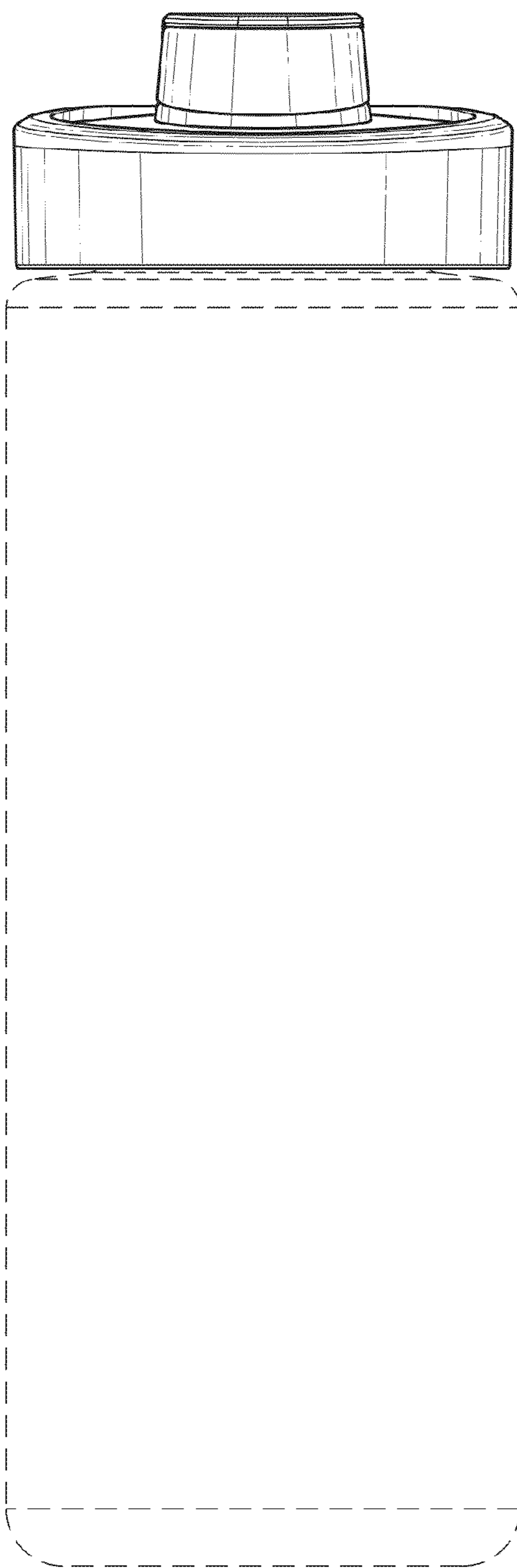


FIG. 5



FIG. 6

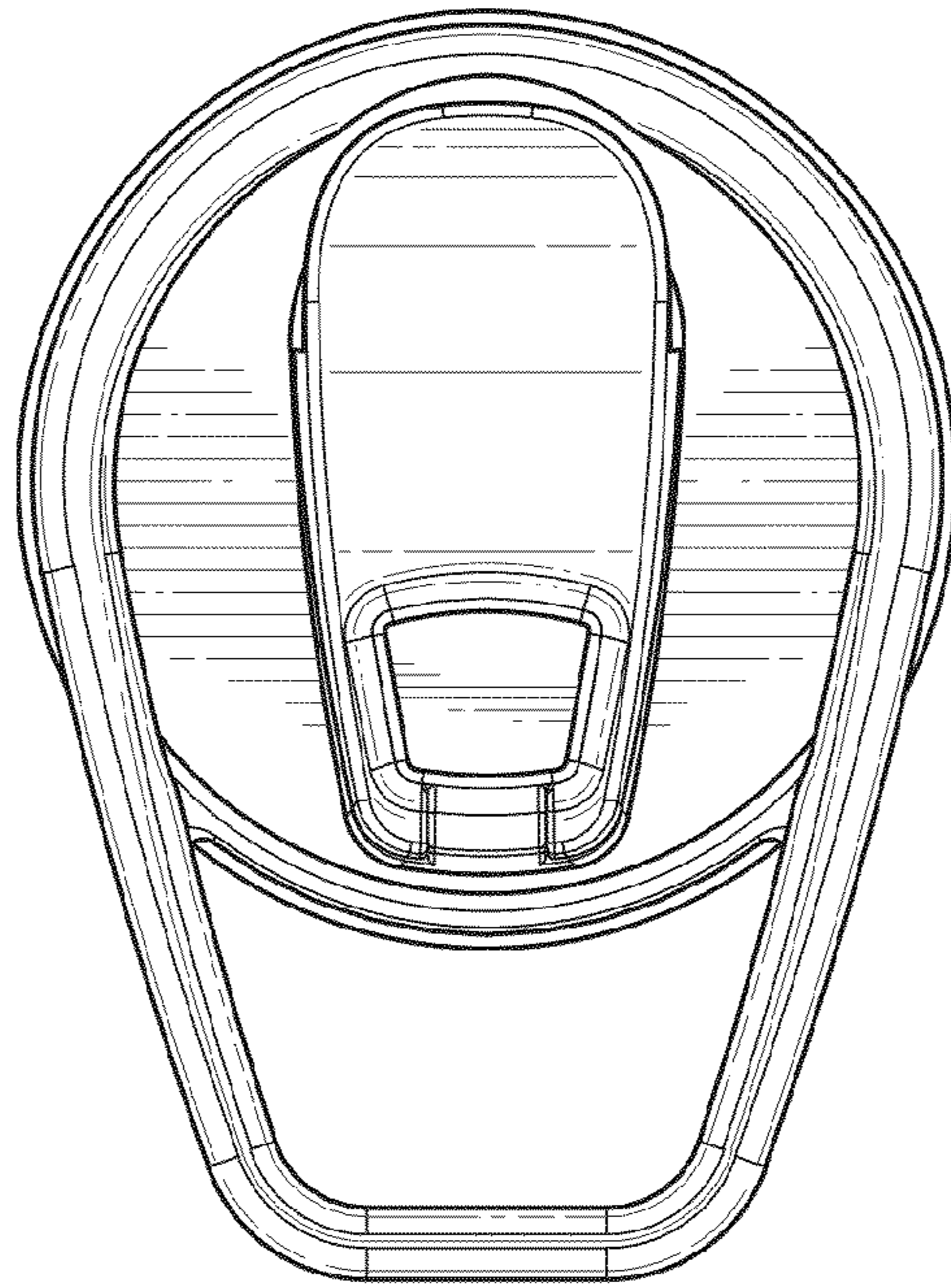


FIG. 7

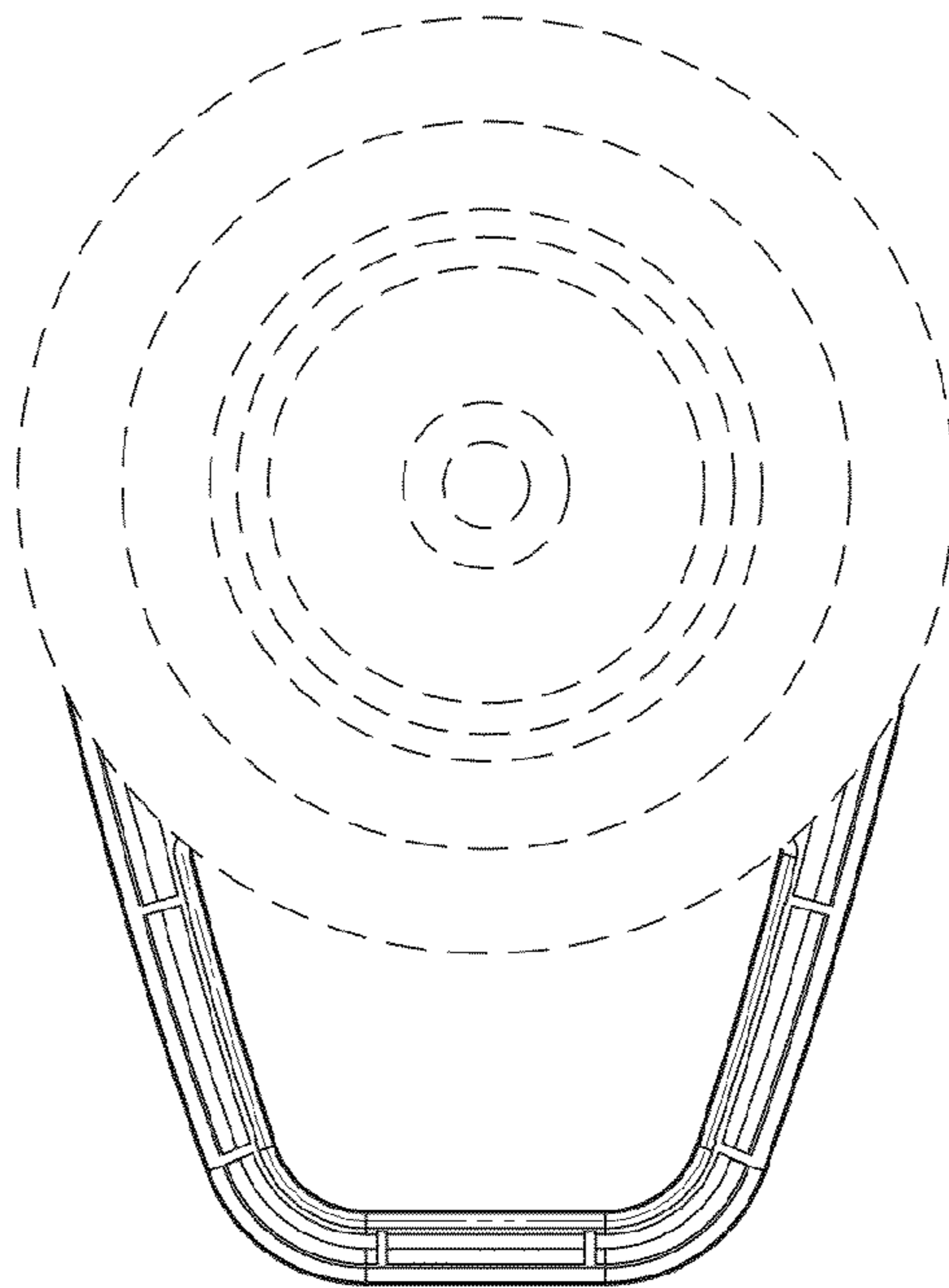


FIG. 8