



US00D721275S

(12) **United States Design Patent**
Thijssen et al.

(10) **Patent No.:** **US D721,275 S**

(45) **Date of Patent:** **** Jan. 20, 2015**

(54) **CAP**

(71) Applicant: **Reckitt Benckiser LLC**, Parsippany, NJ
(US)

(72) Inventors: **Sander Willem Thijssen**, Eindhoven
(NL); **Teun Franciscus Van Wetten**,
Eindhoven (NL)

(73) Assignee: **Reckitt Benckiser LLC**, Parsippany, NJ
(US)

(**) Term: **14 Years**

(21) Appl. No.: **29/479,965**

(22) Filed: **Jan. 22, 2014**

(30) **Foreign Application Priority Data**

Jul. 30, 2013 (EM) 002283291-0001

(51) **LOC (10) Cl.** **09-07**

(52) **U.S. Cl.**
USPC **D9/448**

(58) **Field of Classification Search**
CPC B65D 83/205; B65D 83/40; A61L 9/14;
A61L 9/145
USPC D6/542-545; D7/300, 321, 392.1,
D7/396.2, 500, 507, 509, 510, 511, 900;
D9/434-449, 452-455, 682, 685;
215/200, 235, 236, 252, 259, 329,
215/355-364; 220/200, 220, 254.1, 254.4,
220/556, 703, 704, 705; D28/4, 76, 88, 89,
D28/82, 91.1

See application file for complete search history.

(56) **References Cited**

U.S. PATENT DOCUMENTS

D423,356 S *	4/2000	Mineau et al.	D9/448
D567,651 S *	4/2008	Bloc	D9/448
D580,265 S *	11/2008	Turchi	D9/448
D587,576 S *	3/2009	Miller et al.	D9/448
D625,186 S *	10/2010	Rossignol	D9/448
D625,998 S *	10/2010	Claassen	D9/448
D659,535 S *	5/2012	Gidlow	D9/448
D664,432 S *	7/2012	Jordan	D9/448
D665,668 S *	8/2012	Cho et al.	D9/448
D686,917 S *	7/2013	Seng	D9/448
D707,559 S *	6/2014	Ordiway et al.	D9/448

* cited by examiner

Primary Examiner — Robert M Spear

Assistant Examiner — Marissa J Cash

(74) *Attorney, Agent, or Firm* — Norris McLaughlin &
Marcus PA

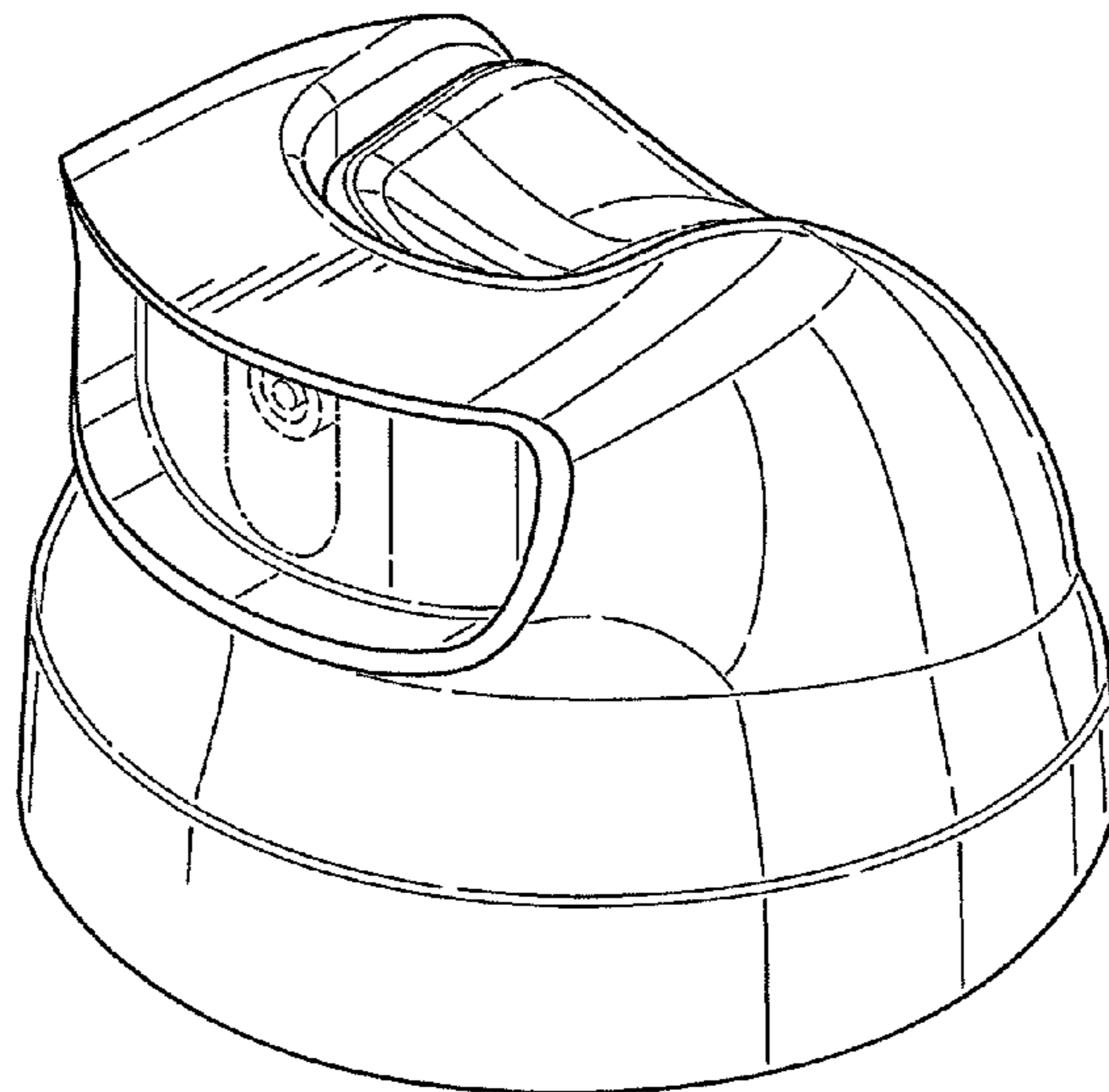
(57) **CLAIM**

The ornamental design for a cap, as shown and described.

DESCRIPTION

FIG. 1 is a perspective view showing the front of the cap;
FIG. 2 is a plan view of a first side of the cap;
FIG. 3 is plan view of a second side of the cap;
FIG. 4 is a plan view of a third side of the cap;
FIG. 5 is a plan view of fourth side of the cap;
FIG. 6 is a plan view of the top of the cap; and,
FIG. 7 is a plan view of the underside of the cap.
The broken lines in the drawings represent unclaimed envi-
ronmental subject matter and form no part of the claim.

1 Claim, 4 Drawing Sheets



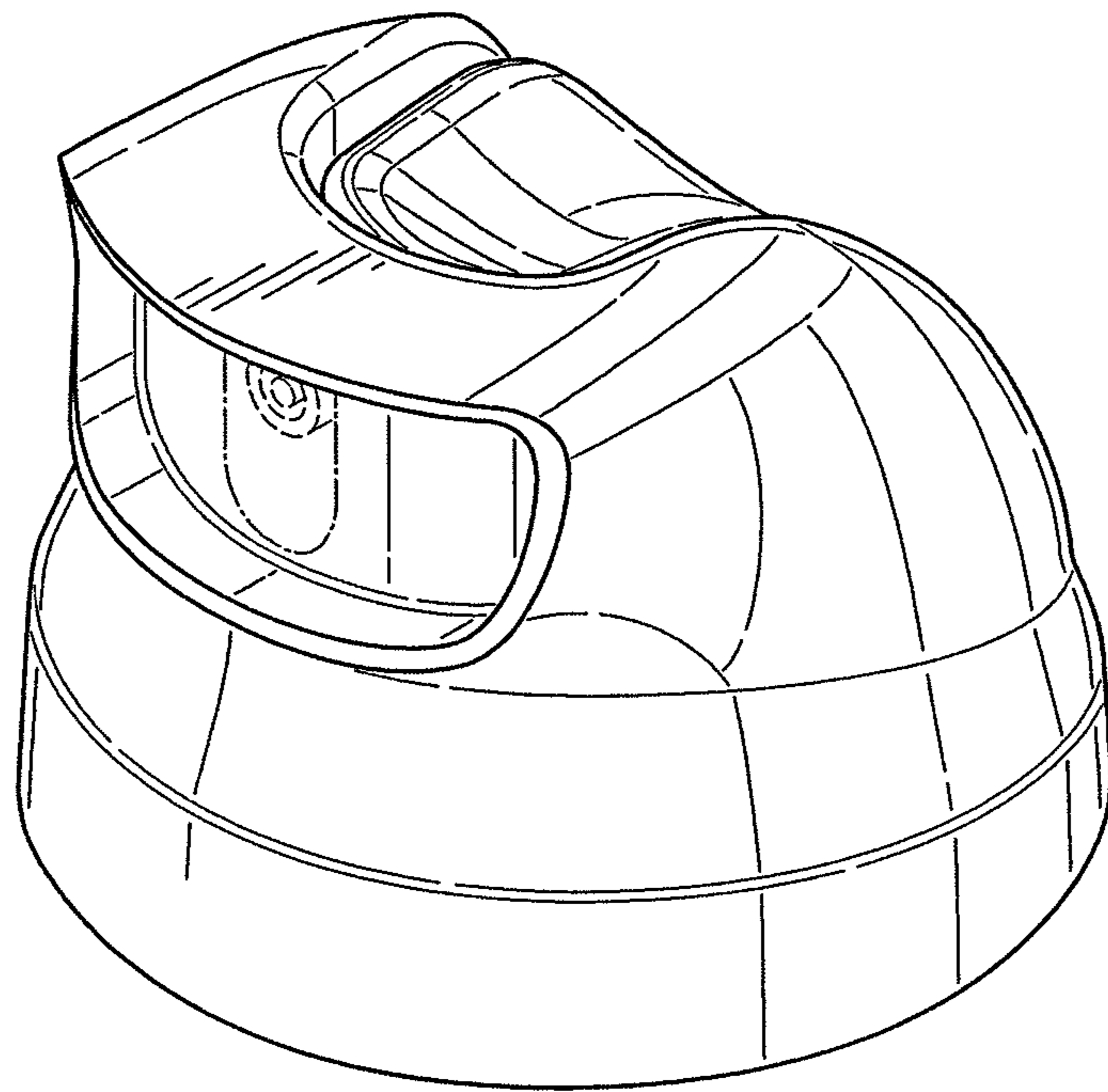


Fig. 1

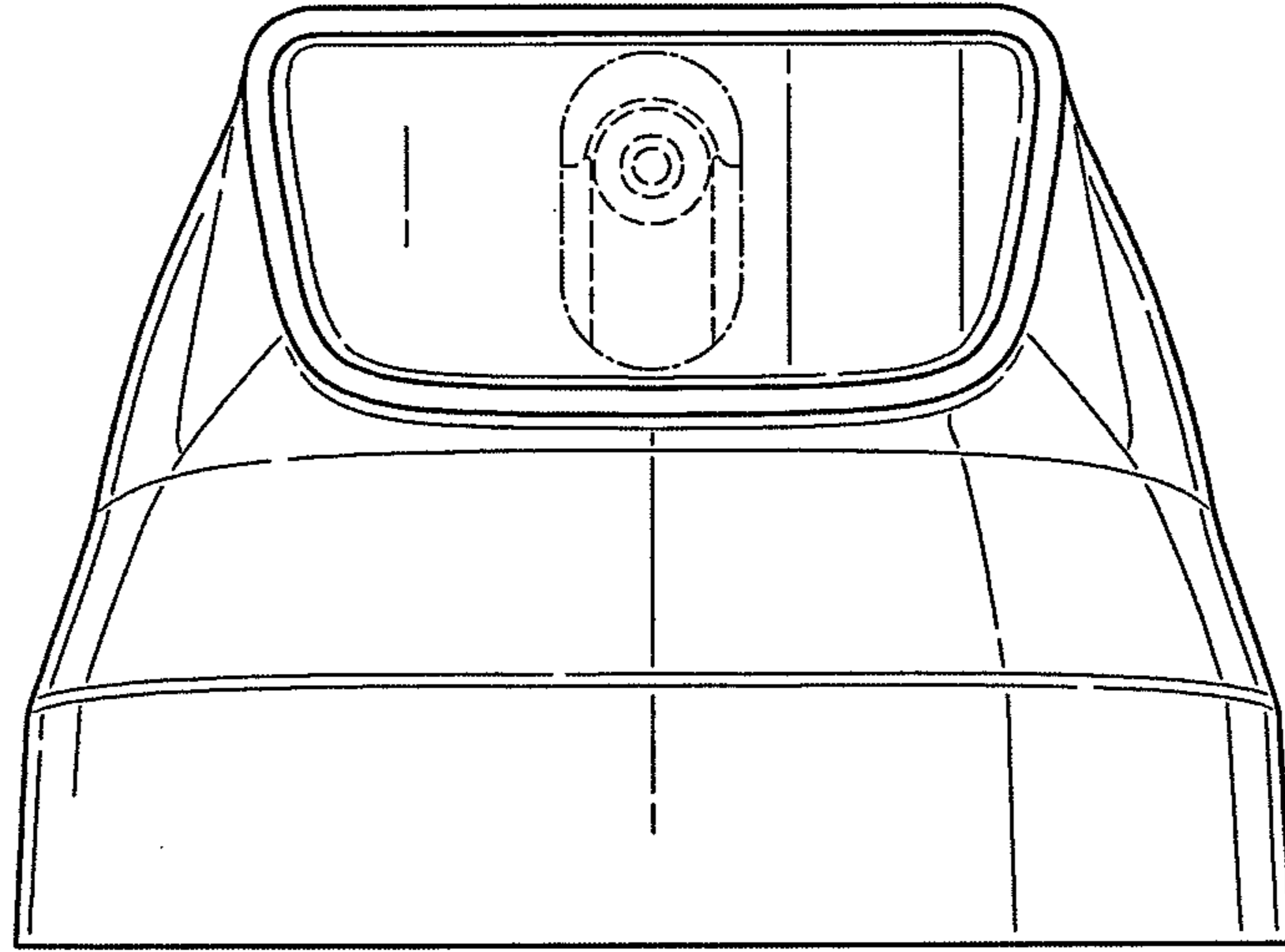


Fig. 2

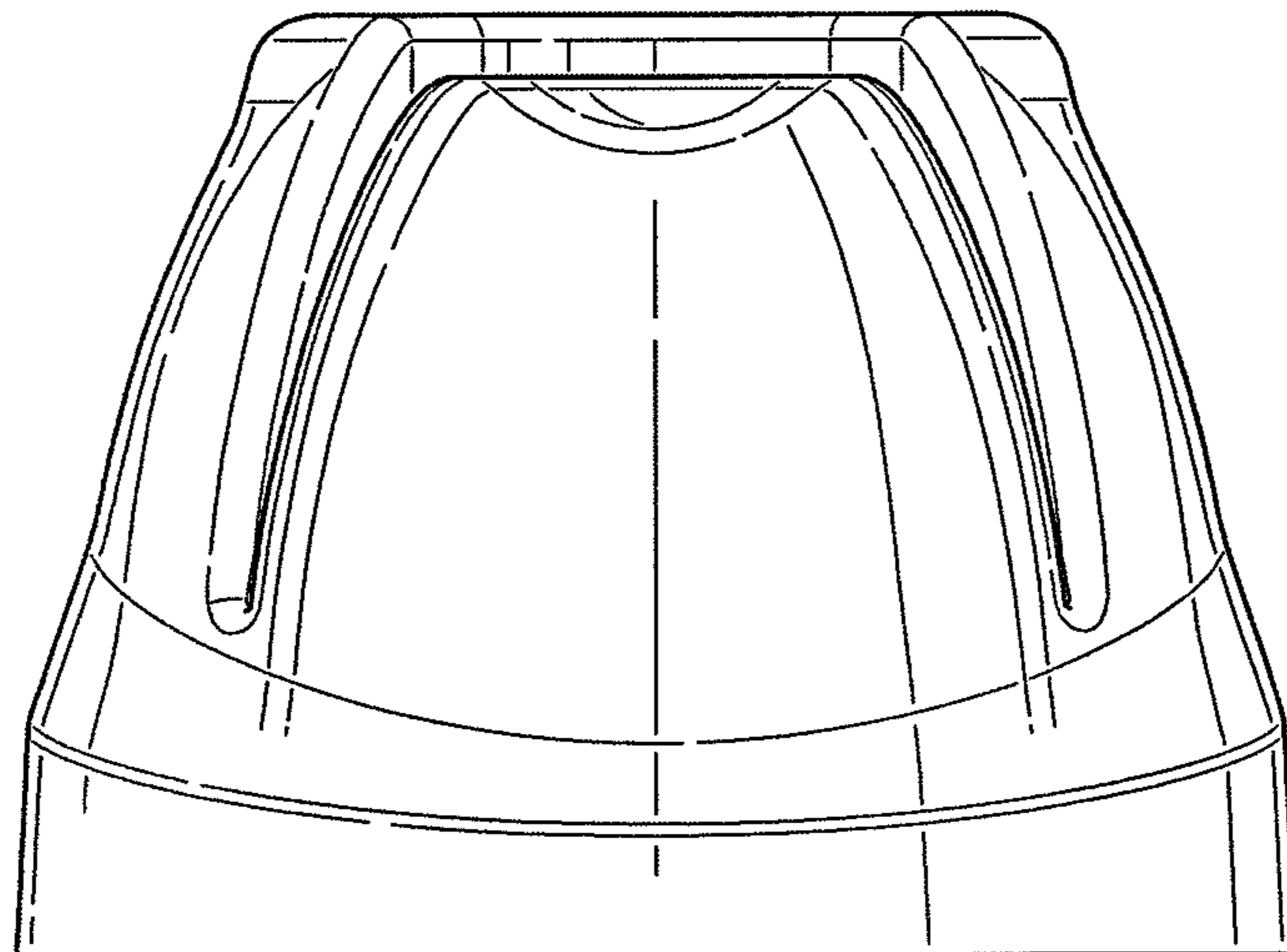


Fig. 3

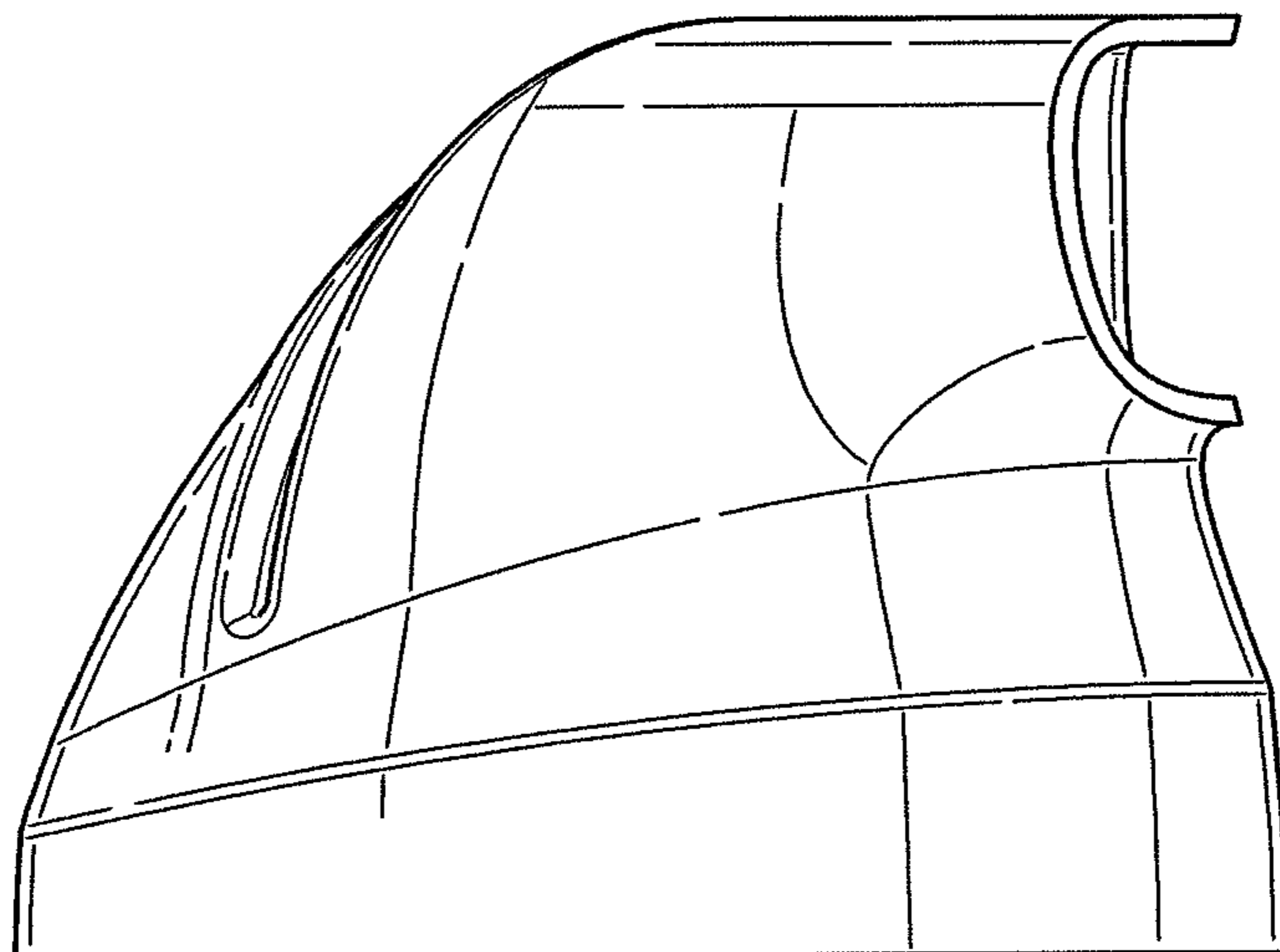


Fig. 4

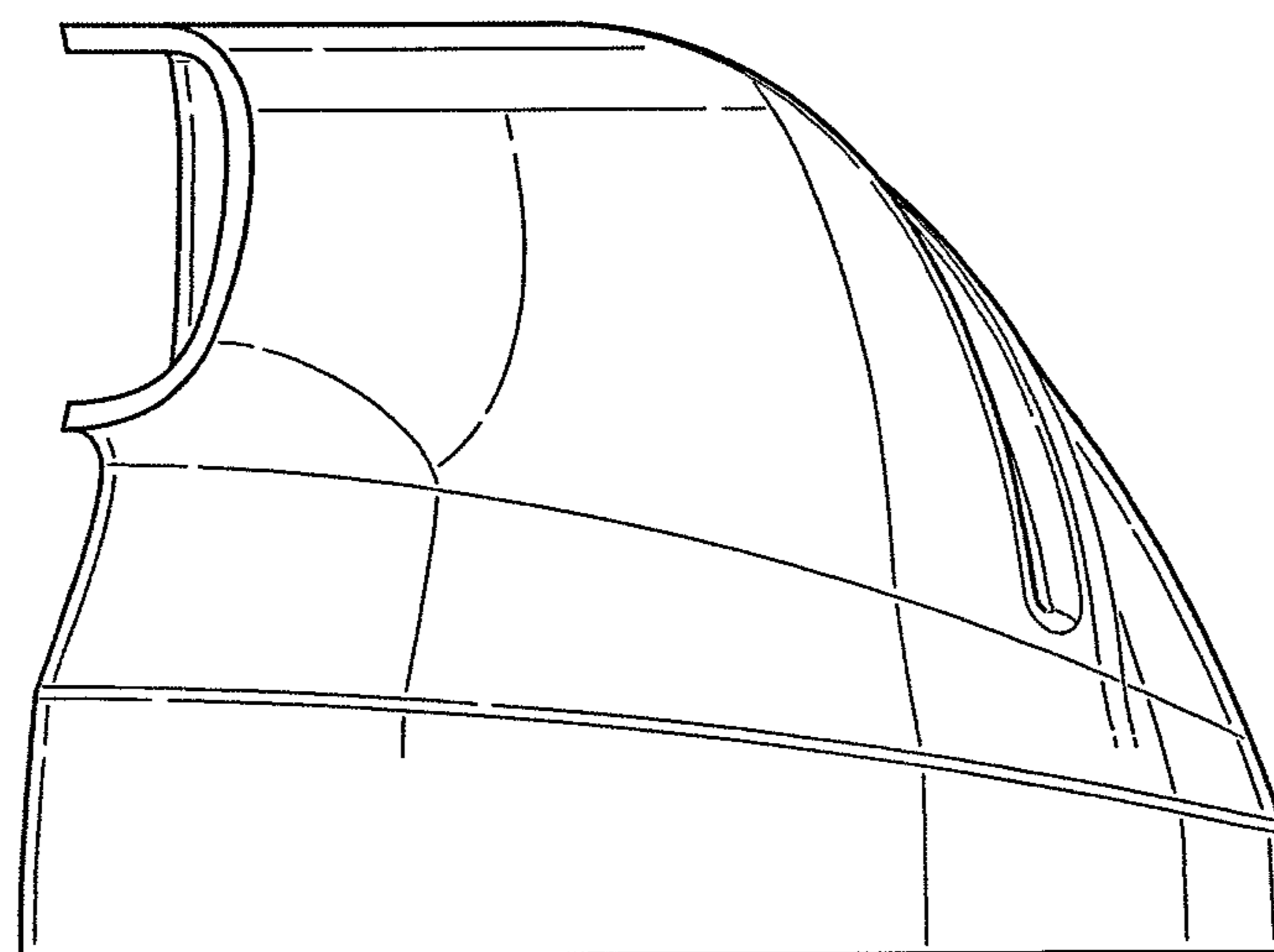


Fig. 5

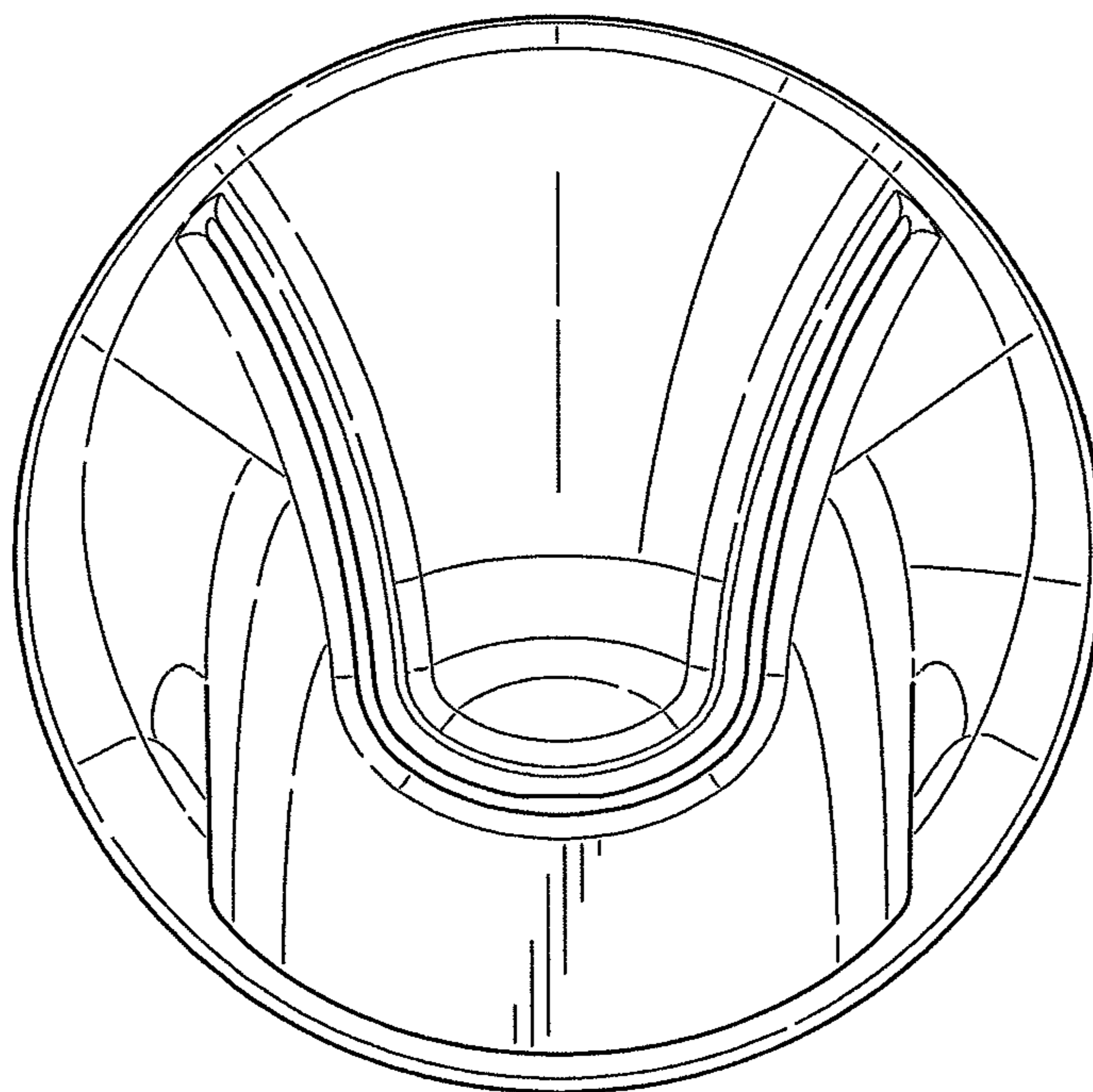


Fig. 6

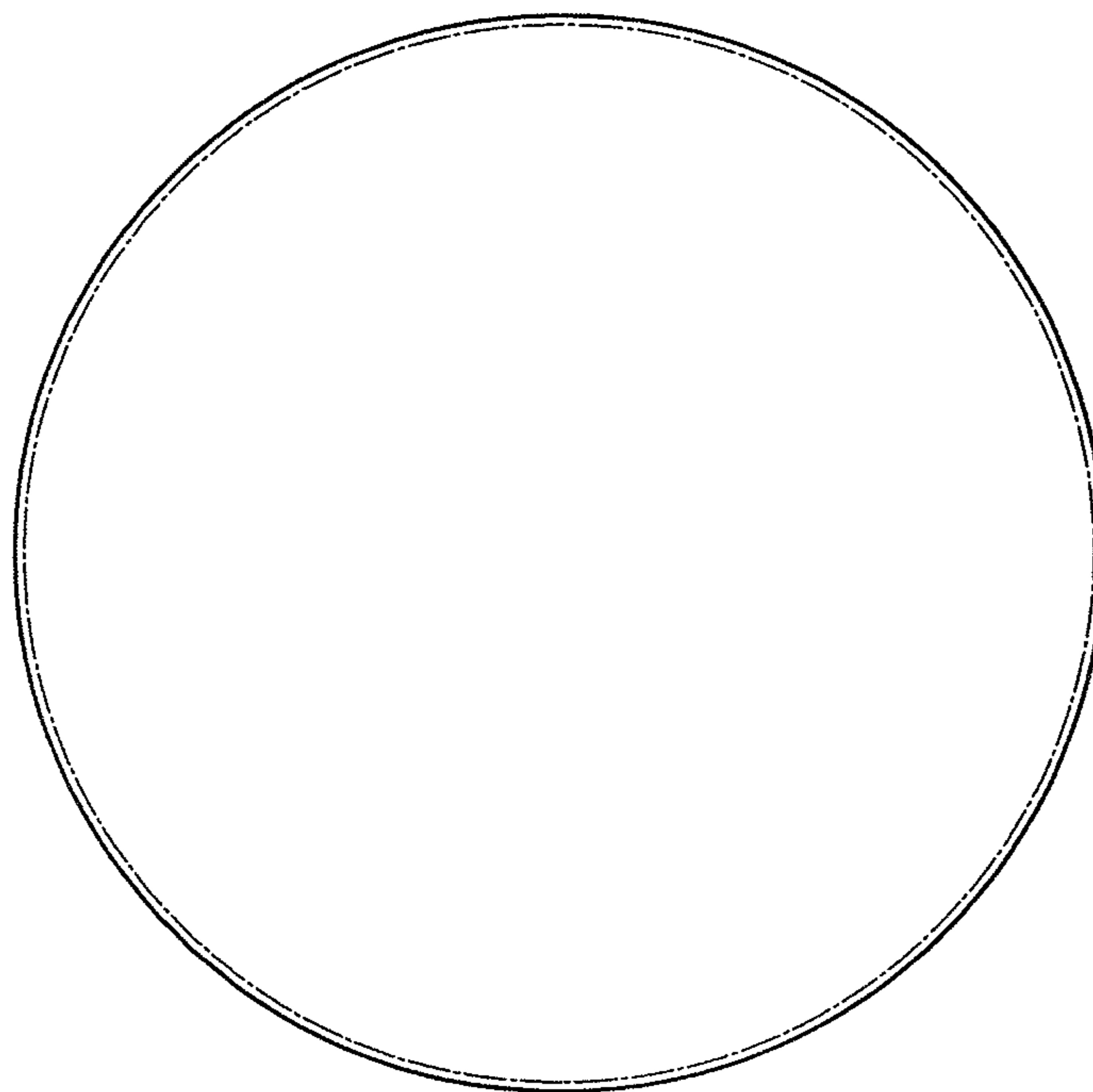


Fig. 7