



US00D721273S

(12) **United States Design Patent**
Grossman

(10) **Patent No.:** **US D721,273 S**
(45) **Date of Patent:** **** Jan. 20, 2015**

(54) **BOTTLE ANGLER**
(71) Applicant: **Richard Grossman**, Newberg, OR (US)
(72) Inventor: **Richard Grossman**, Newberg, OR (US)
(**) Term: **14 Years**
(21) Appl. No.: **29/460,869**

5,669,520 A 9/1997 Simpson
D389,583 S * 1/1998 Thom D24/197
D404,823 S * 1/1999 Mariscal D24/197
D428,154 S * 7/2000 Shaw et al. D24/199
D460,358 S * 7/2002 Ciolino D9/447
6,499,615 B1 12/2002 Szieff et al.
D489,480 S * 5/2004 Angeletta D9/447
D604,609 S * 11/2009 Barker D9/447
D705,434 S * 5/2014 Spinetti D24/197
2002/0043511 A1* 4/2002 Chan et al. 215/11.1

(22) Filed: **Jul. 16, 2013**
(51) **LOC (10) Cl.** **09-07**
(52) **U.S. Cl.**
USPC **D9/447**
(58) **Field of Classification Search**
CPC A47G 19/22-19/23
USPC D7/396.2, 392.1, 510, 509, 511;
D9/435, 439, 440, 445, 447, 449, 450,
D9/454, 500, 503-505; 220/254.3, 705,
220/709, 713, 714; D24/197, 199; 215/11.1
See application file for complete search history.

FOREIGN PATENT DOCUMENTS

WO 9103225 3/1991
* cited by examiner

Primary Examiner — Susan Bennett Hattan
Assistant Examiner — Brett Miller

(57) **CLAIM**
The ornamental design for a bottle angler, as shown and described.

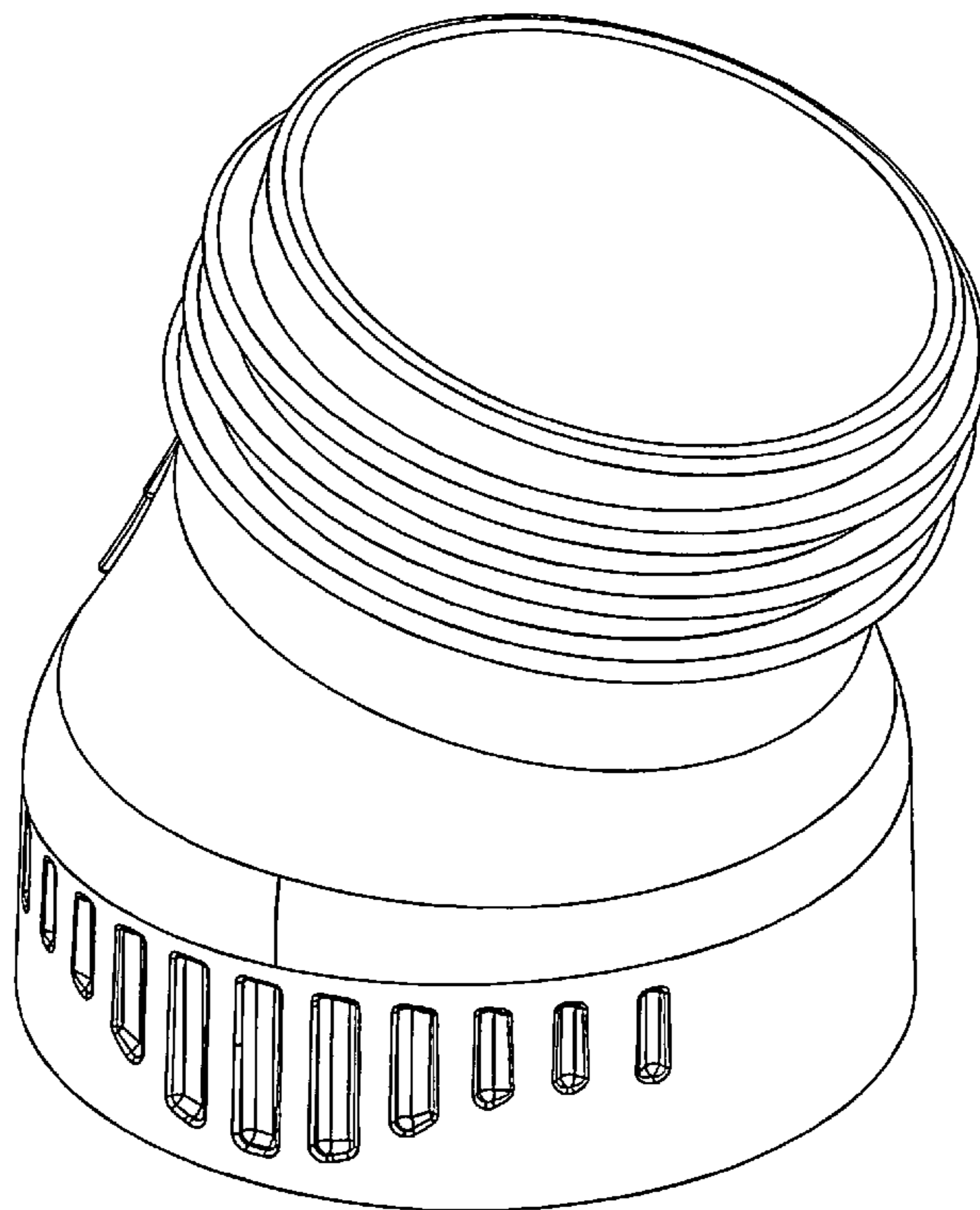
DESCRIPTION

FIG. 1 is a front elevational view of the bottle angler;
FIG. 2 is a front view of the bottle angler;
FIG. 3 is a right view of the bottle angler;
FIG. 4 is a rear view of the bottle angler;
FIG. 5 is a left view of the bottle angler;
FIG. 6 is a top view of the bottle angler;
FIG. 7 is a bottom view of the bottle angler; and,
FIG. 8 is a bottom elevational view of the bottle angler.

(56) **References Cited**
U.S. PATENT DOCUMENTS

3,071,272 A 1/1963 Doner
5,269,425 A 12/1993 Gomez-Acevedo
D360,580 S * 7/1995 Bomareto D9/447
D371,849 S * 7/1996 Thom D24/197
D377,031 S * 12/1996 Didier D15/150
5,588,548 A 12/1996 Brankley
D377,891 S * 2/1997 Bencich D9/447
D382,969 S * 8/1997 Giles et al. D24/197

1 Claim, 8 Drawing Sheets



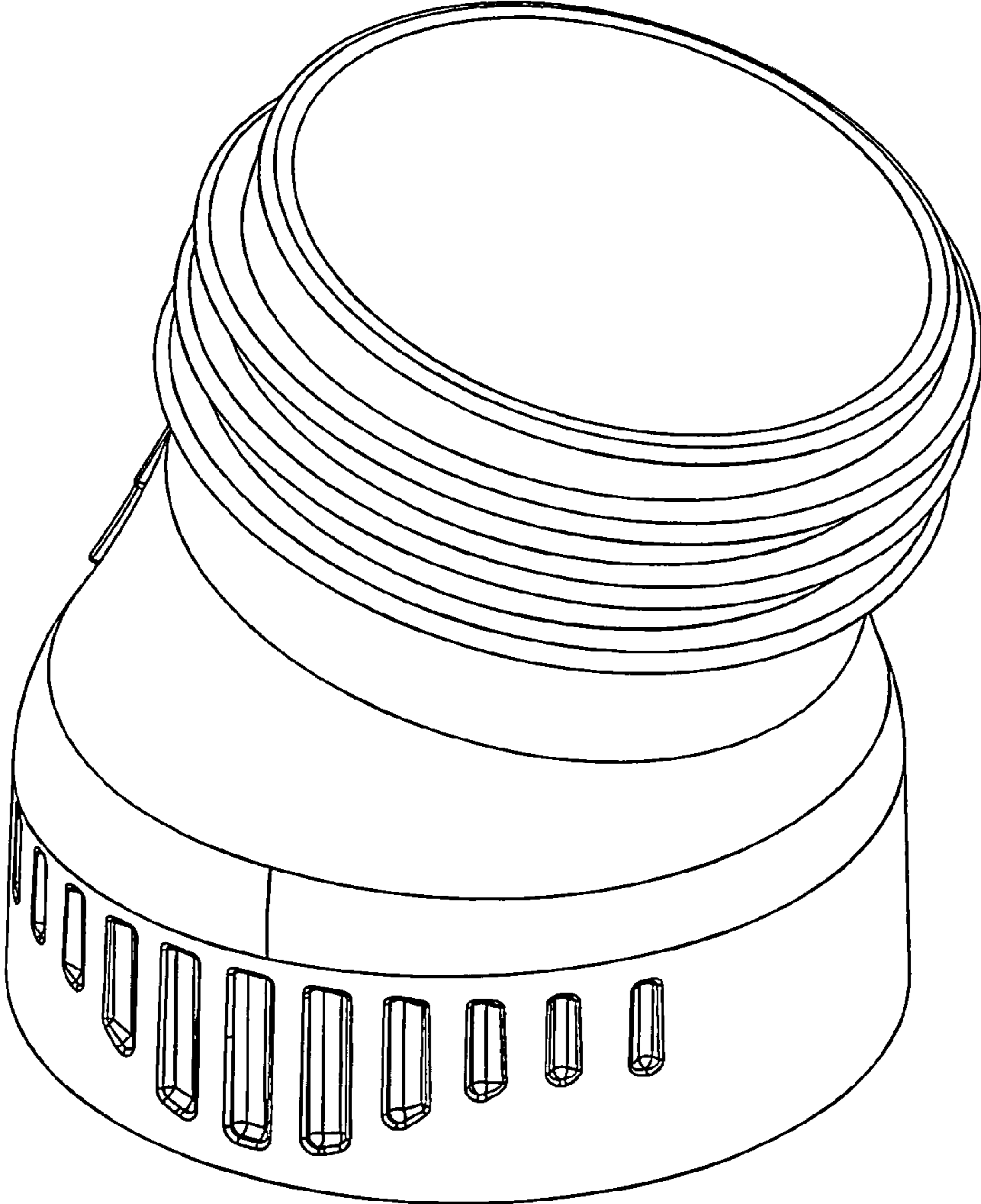


FIG 1

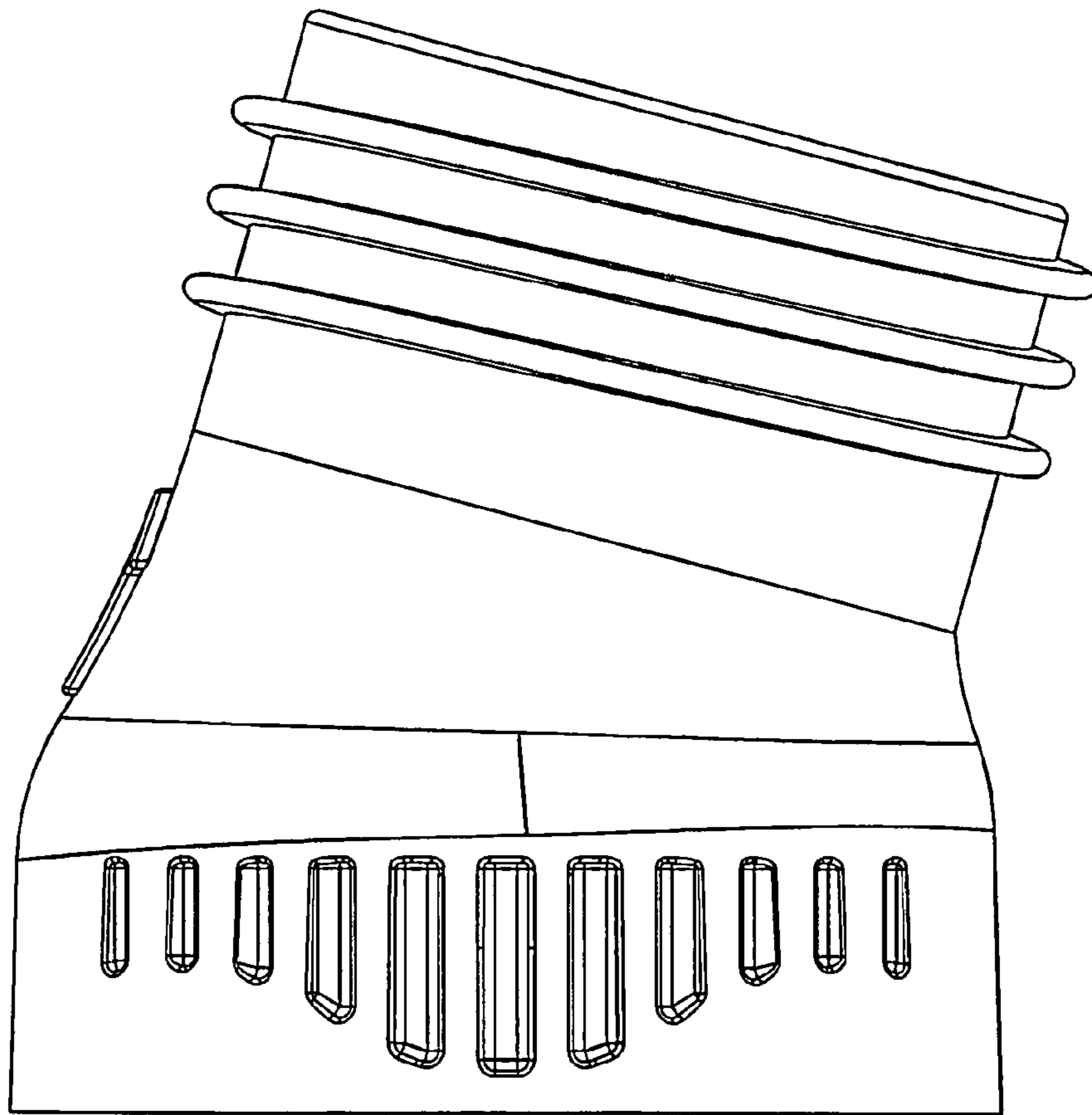


FIG 2

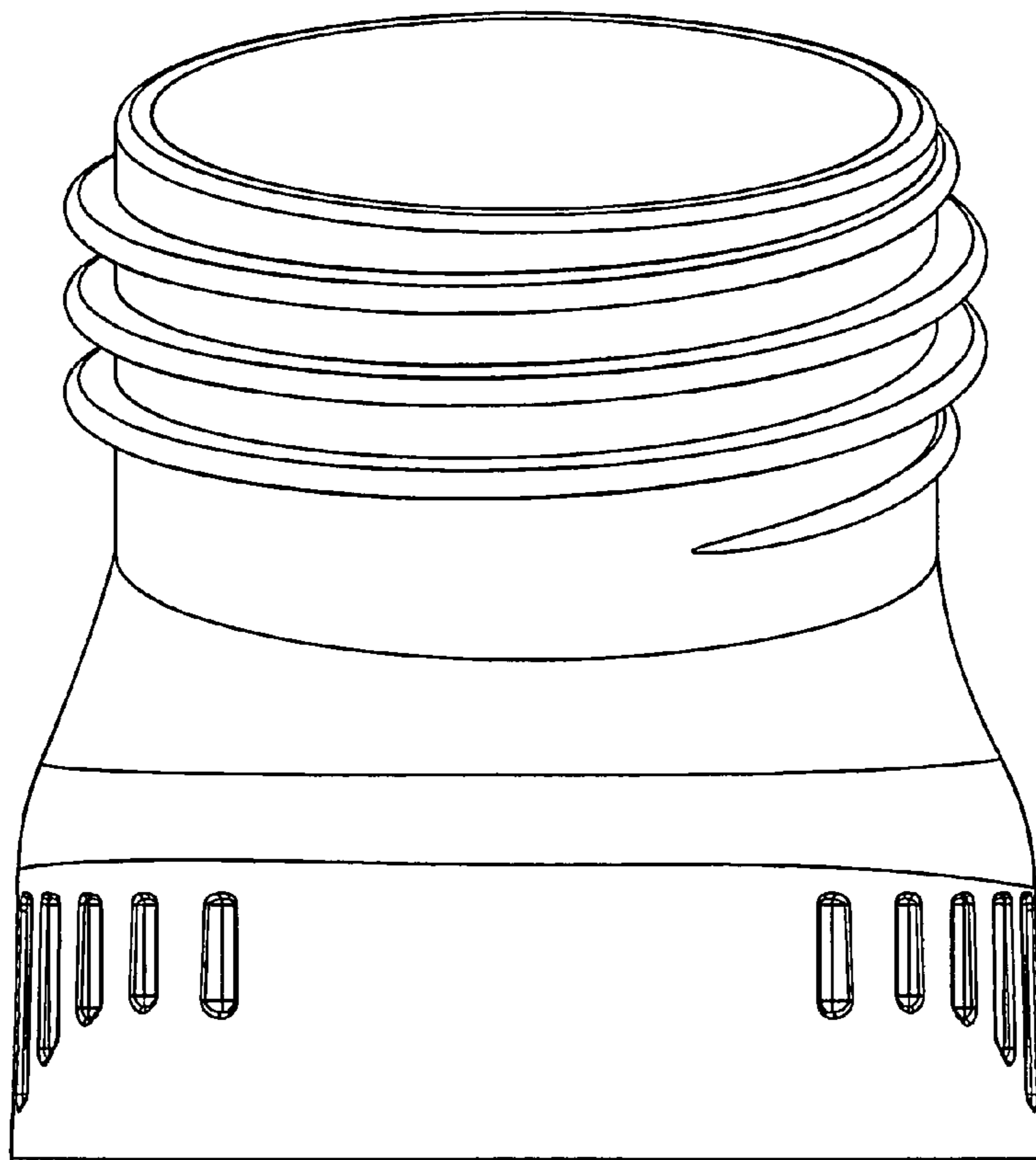


FIG 3

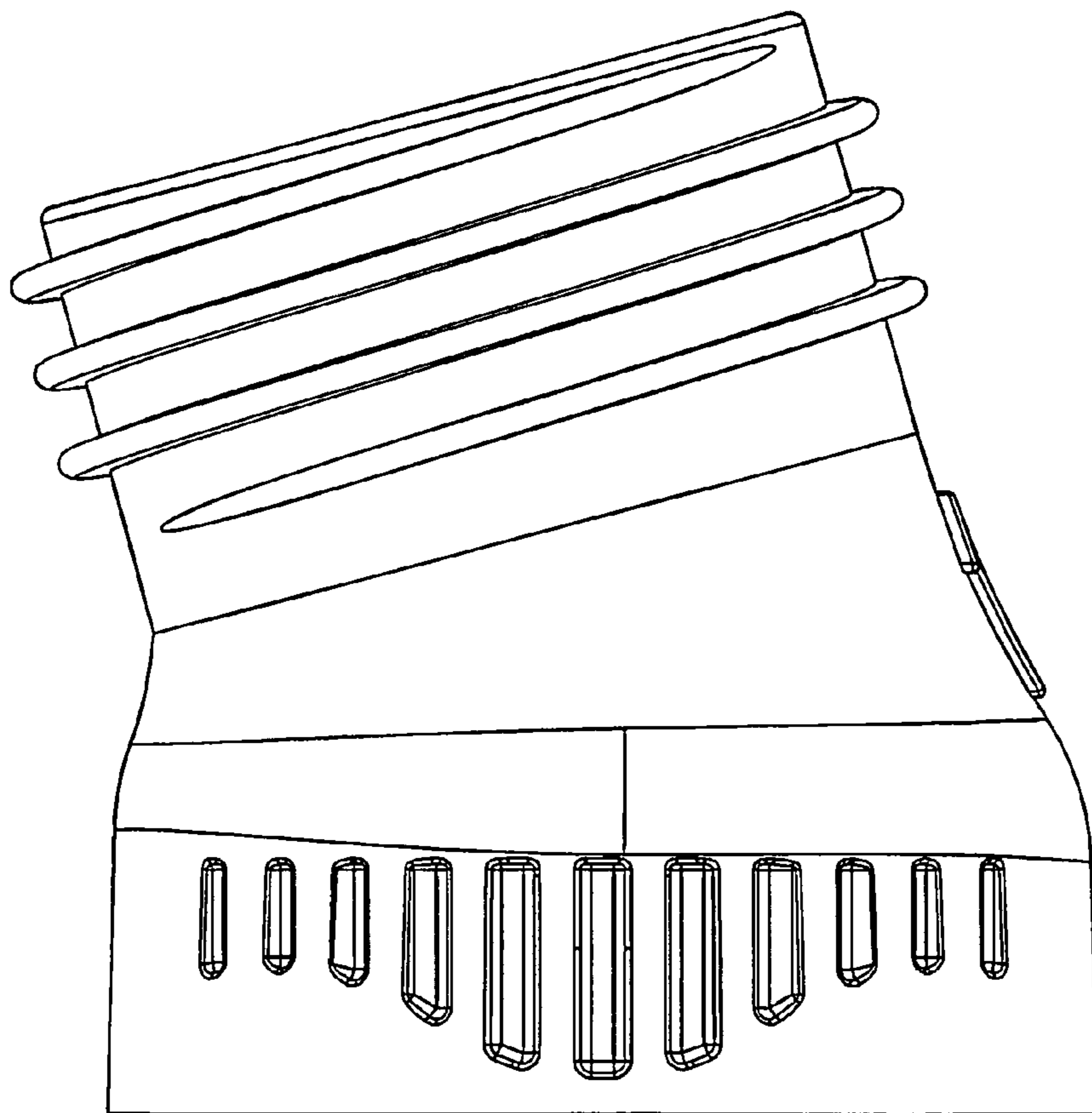


FIG 4

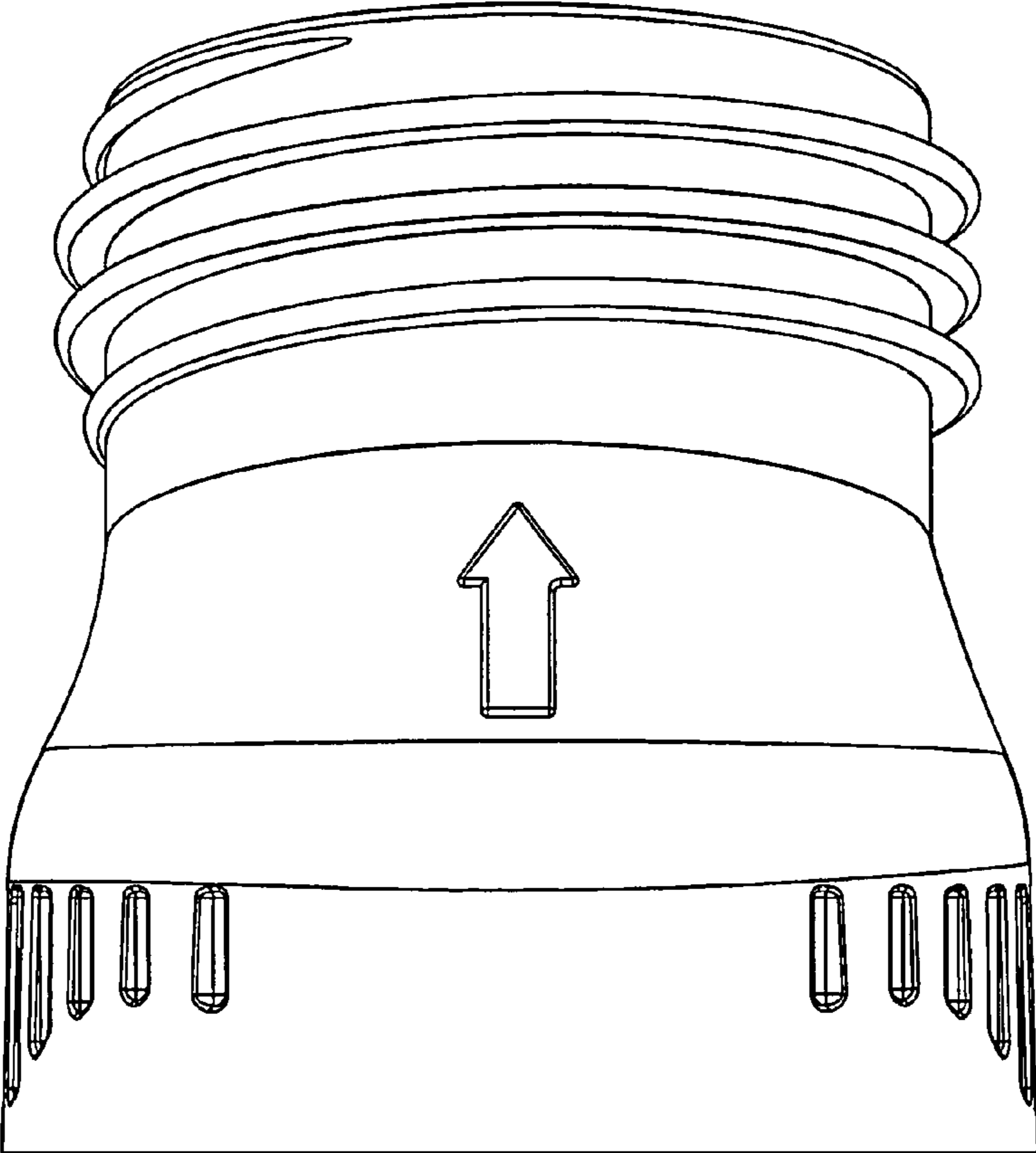


FIG 5

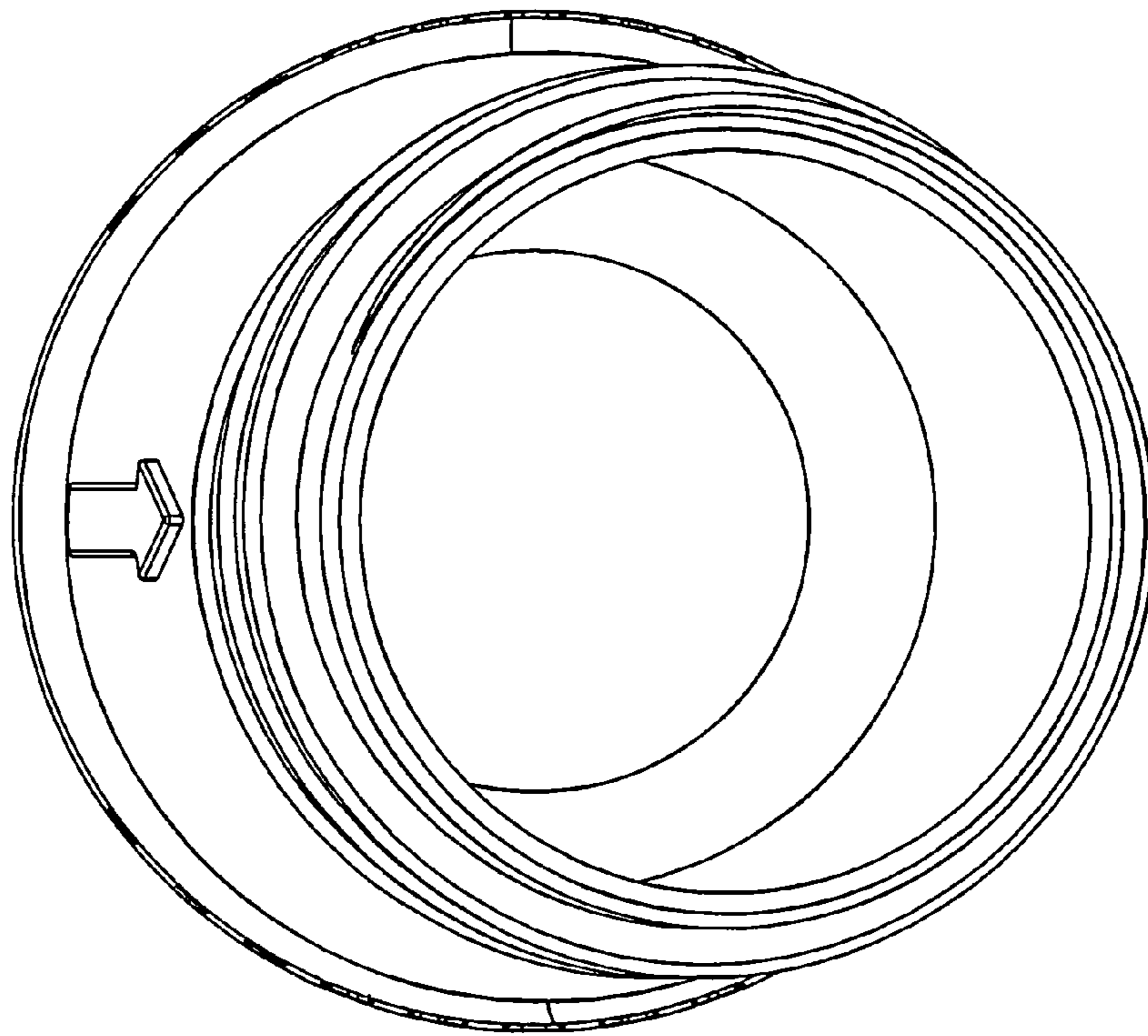


FIG 6

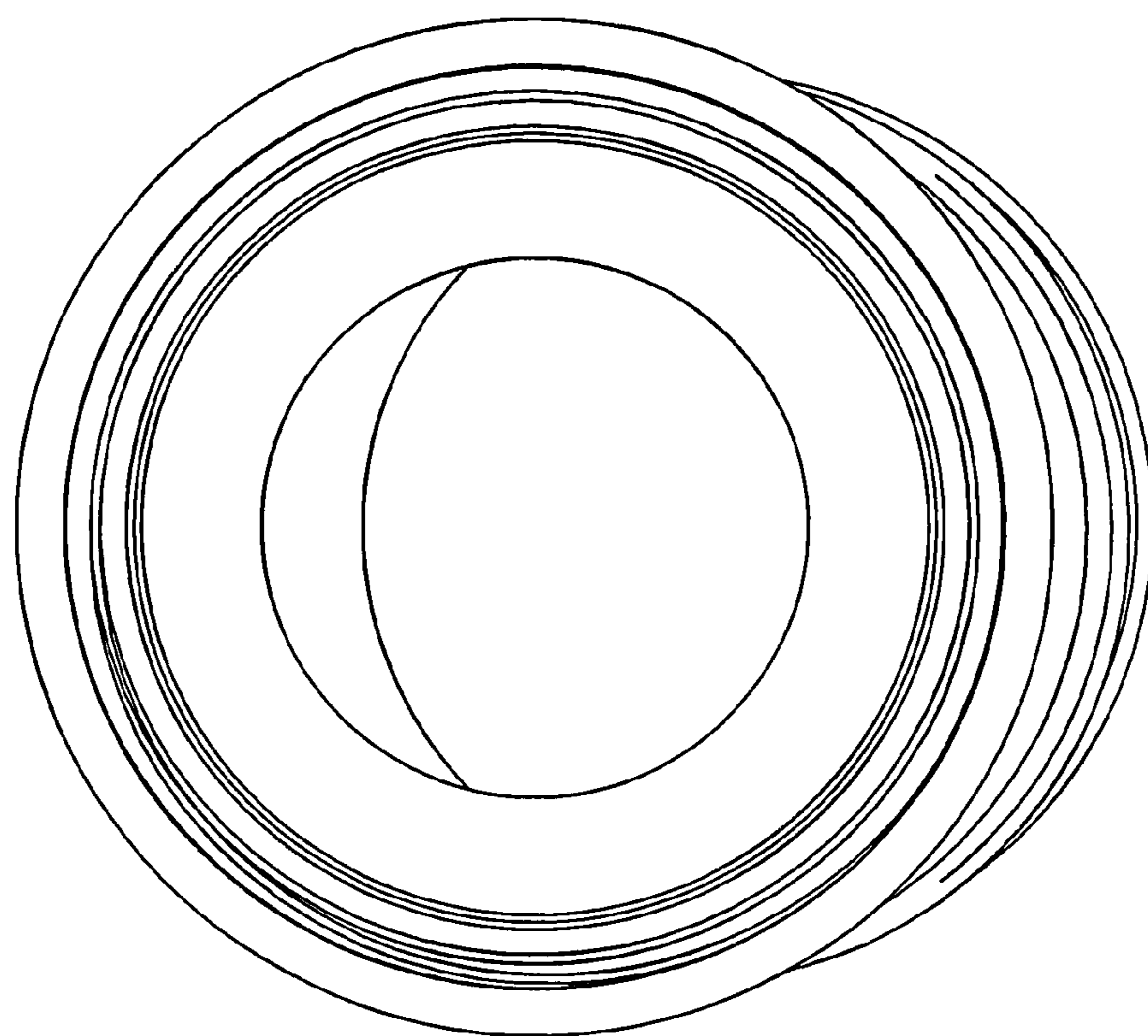


FIG 7

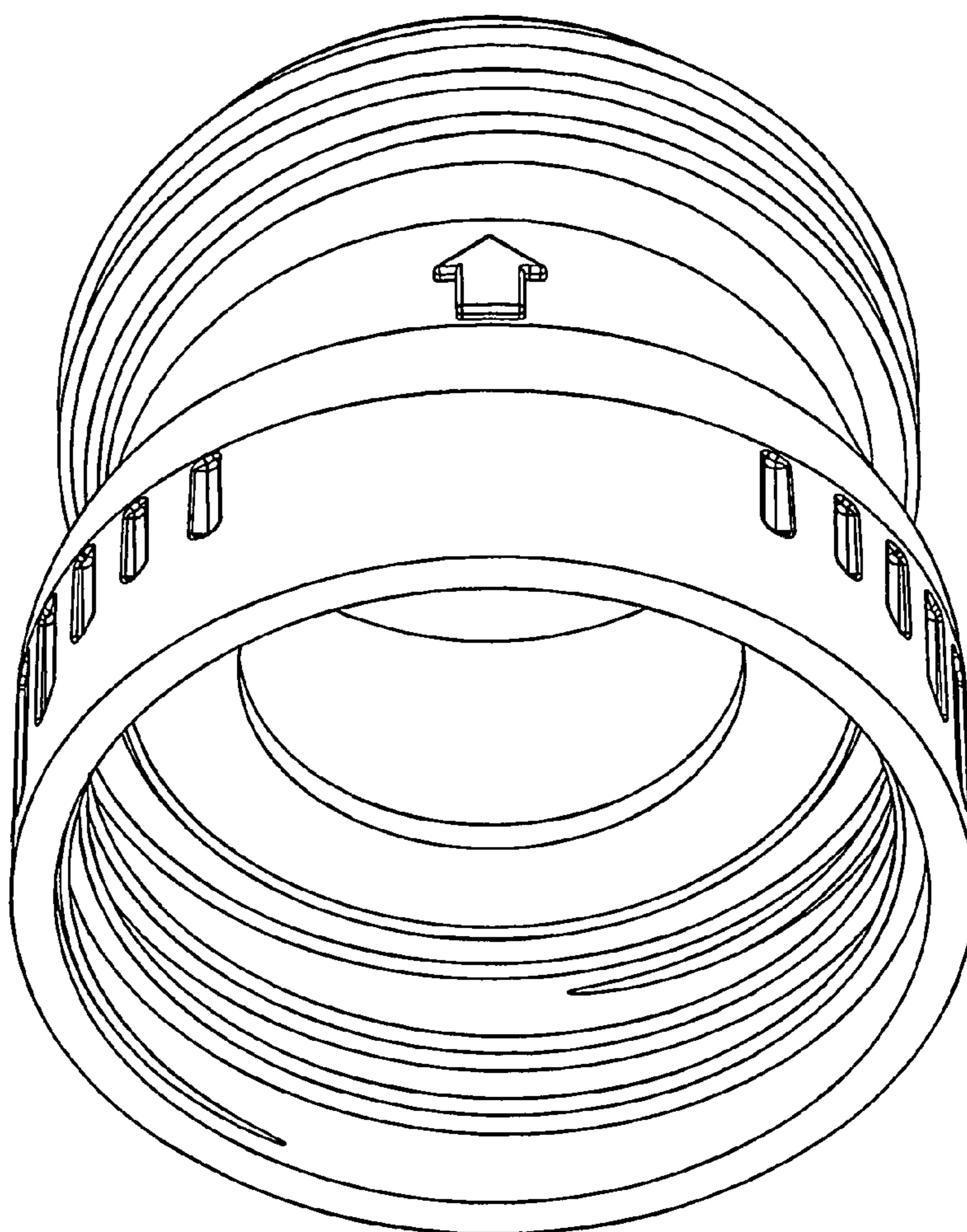


FIG 8