



US00D721272S

(12) **United States Design Patent**
Wichowski

(10) **Patent No.:** **US D721,272 S**
(45) **Date of Patent:** **** Jan. 20, 2015**

(54) **NOZZLE**
(71) Applicant: **Hoffmann Neopac AG**, Thun (CH)
(72) Inventor: **Artur Wichowski**, Lohn-Ammannsegg (CH)
(73) Assignee: **Hoffman Neopac AG**, Thun (CH)
(**) Term: **14 Years**

D545,190 S * 6/2007 Wu D9/448
D552,991 S * 10/2007 Lai D9/448
D569,247 S * 5/2008 Decottignies D9/448
D581,791 S * 12/2008 Bakic D9/449
7,883,287 B2 * 2/2011 Thorpe 401/266
D641,930 S * 7/2011 Poletto D28/76
D649,048 S * 11/2011 Baker et al. D9/435
D649,456 S * 11/2011 Baker et al. D9/435

(Continued)

(21) Appl. No.: **29/452,278**
(22) Filed: **Apr. 15, 2013**

(30) **Foreign Application Priority Data**

Oct. 15, 2012 (WO) DM/079302

(51) **LOC (10) Cl.** **09-07**
(52) **U.S. Cl.**
USPC **D9/447**

(58) **Field of Classification Search**
CPC B65D 47/20
USPC D9/434, 435, 439, 440, 443, 446, 447,
D9/448, 449, 453, 454, 417; D7/396.2,
D7/392.1; 215/235, 236, 307, 311;
220/254.2-254.5, 259.3, 26, 715, 837;
222/212, 484, 525, 556, 566; 493/87;
401/266

See application file for complete search history.

(56) **References Cited**

U.S. PATENT DOCUMENTS

D287,402 S 12/1986 Orsing
D287,939 S * 1/1987 Harman D9/447
D291,780 S 9/1987 Guttormson
5,588,560 A 12/1996 Benedict et al.
D482,281 S * 11/2003 Bakic D9/448
D489,615 S * 5/2004 Bakic D9/448
D512,482 S 12/2005 Utter et al.
D538,975 S * 3/2007 Montoli D28/7

OTHER PUBLICATIONS

Innovative Design Visions for Cosmetic Tubes—a New Partnership between Neopac and HCT. Article on www.Neopac.com; dated Oct. 5, 2012. Found online at: http://www.neopac.com/nc/news-neopac/news/newstext/article/innovative-d.html?tx_ttnews%5BpS%5D=1325372399&tx_ttnews%5BpL%5D=31535999&tx_ttnews%5Barc%5D=1&cHash=99f799894d6421051ef24d82bfb3fdb.*

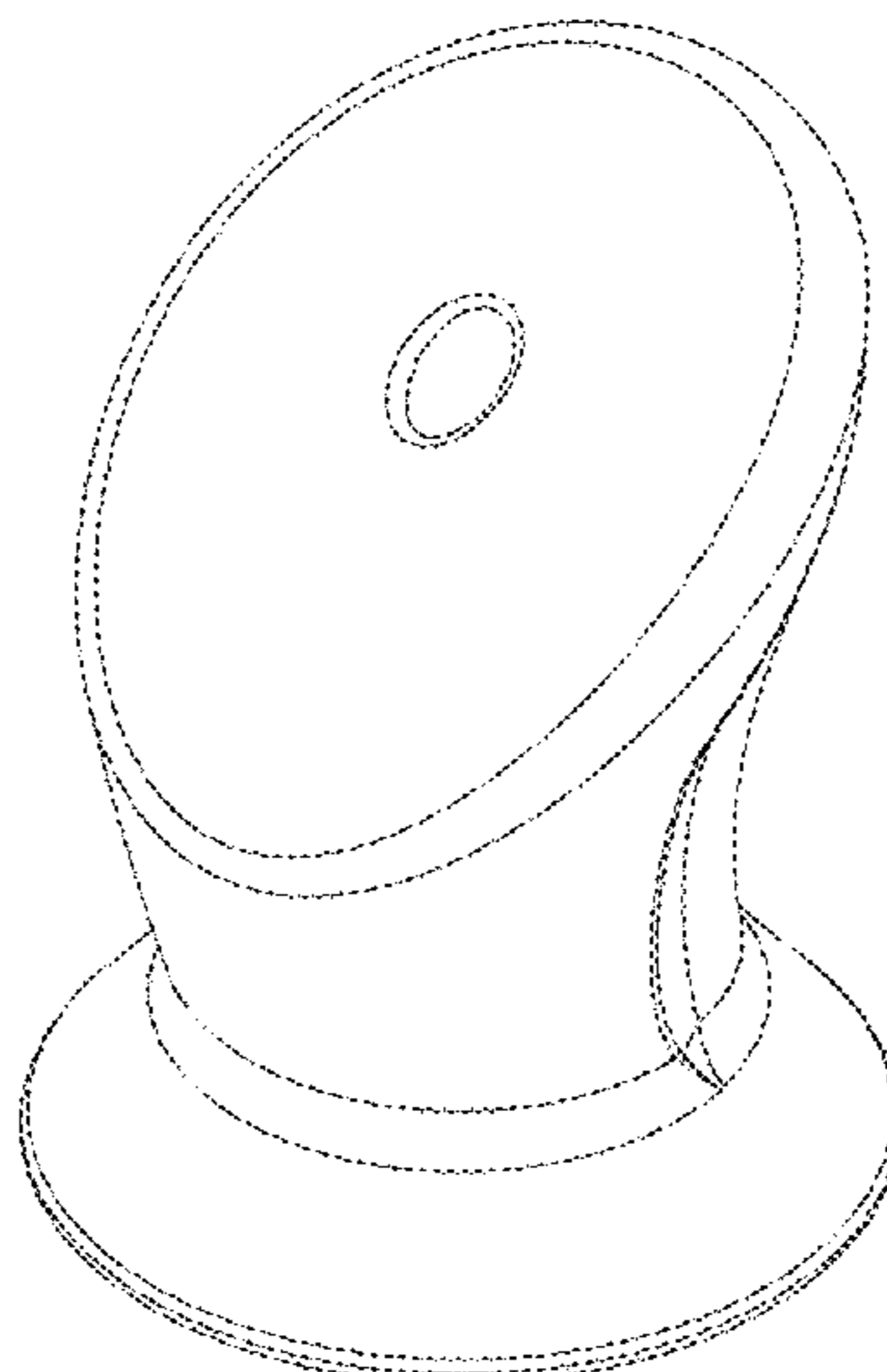
Primary Examiner — Robert M Spear
(74) *Attorney, Agent, or Firm* — Blue Filament Law PLLC; Avery N. Goldstein

(57) **CLAIM**
The ornamental design for a nozzle, as shown and described.

DESCRIPTION

FIG. 1 is a front view of the nozzle;
FIG. 2 is a left side view of the nozzle depicted in FIG. 1;
FIG. 3 is a right view of the nozzle depicted in FIG. 1;
FIG. 4 is a top view of the nozzle depicted in FIG. 1;
FIG. 5 is a side elevated perspective view of the nozzle depicted in FIG. 1;
FIG. 6 is a top elevated perspective view of the nozzle depicted in FIG. 1;
FIG. 7 is a bottom view of the nozzle depicted in FIG. 1; and,
FIG. 8 is a rear view of the nozzle depicted in FIG. 1.
The broken lines in the drawings represent unclaimed environmental subject matter and form no part of the claim.

1 Claim, 4 Drawing Sheets



(56)

References Cited

U.S. PATENT DOCUMENTS

D658,076 S *	4/2012	McCoy et al.	D9/723	
D658,504 S *	5/2012	McCoy et al.	D9/697	* cited by examiner
D668,541 S *	10/2012	McCoy et al.	D9/447	
D678,783 S *	3/2013	Wilcox et al.	D9/729	
D680,265 S *	4/2013	DeMarco et al.	D28/7	

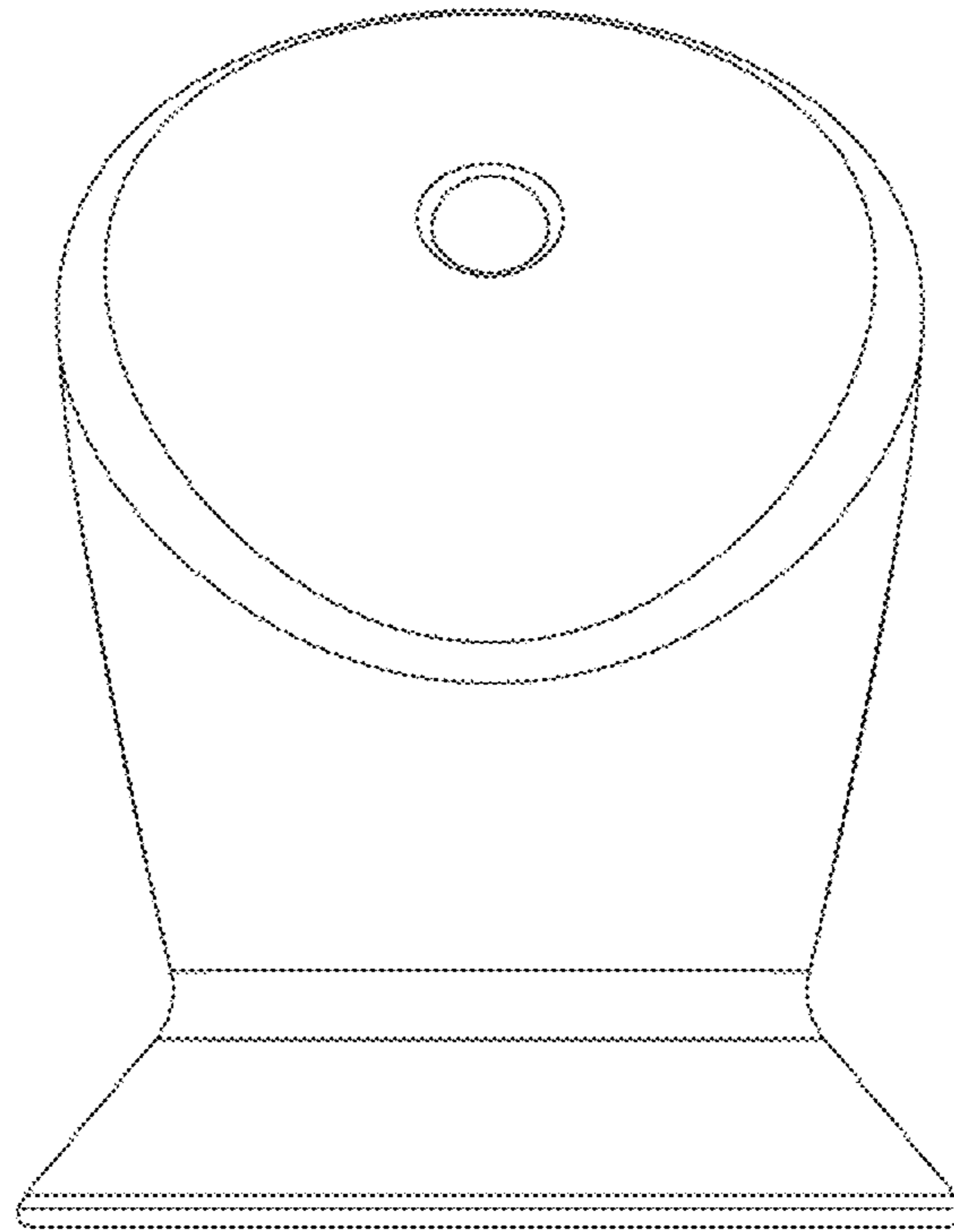


FIG. 1

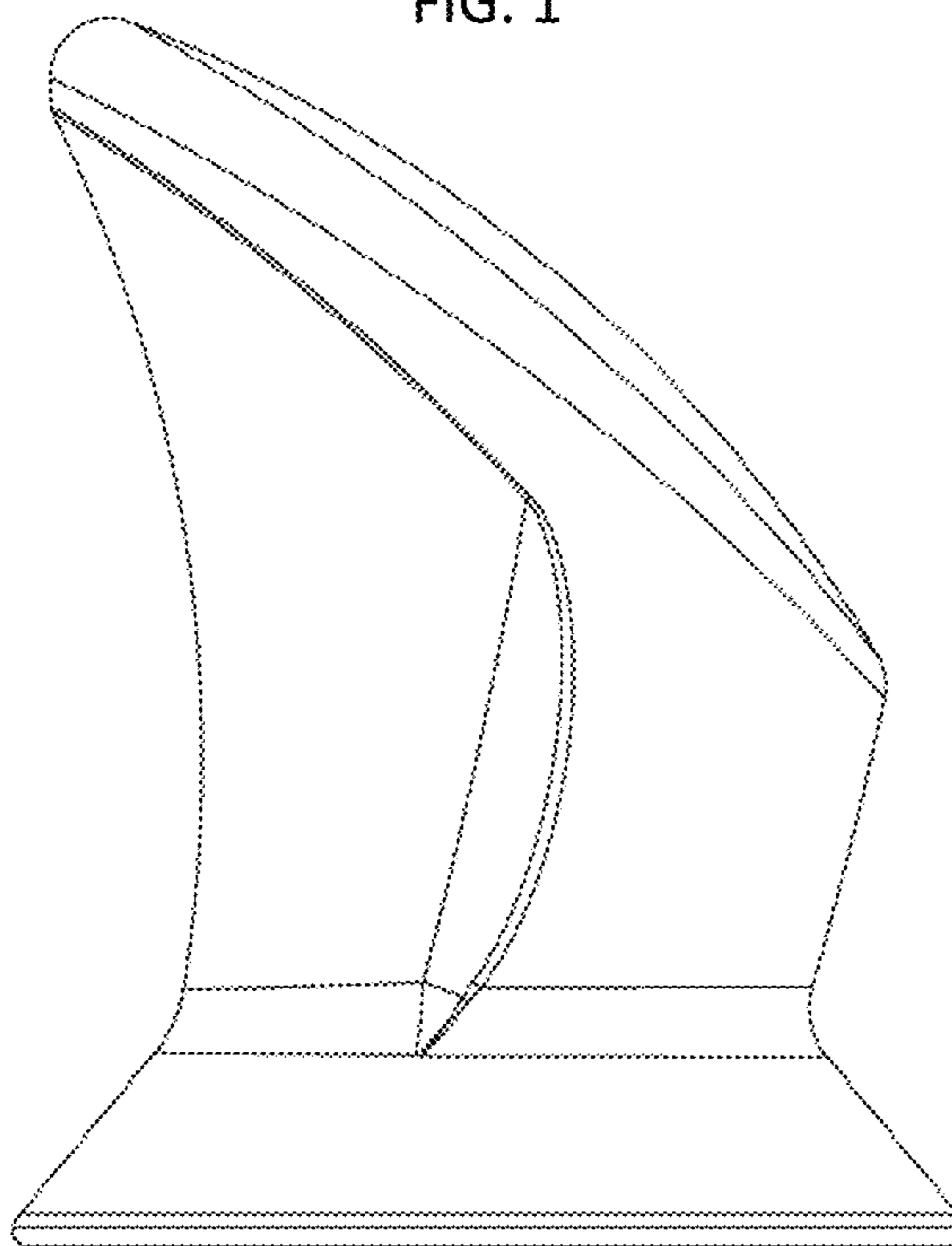


FIG. 2

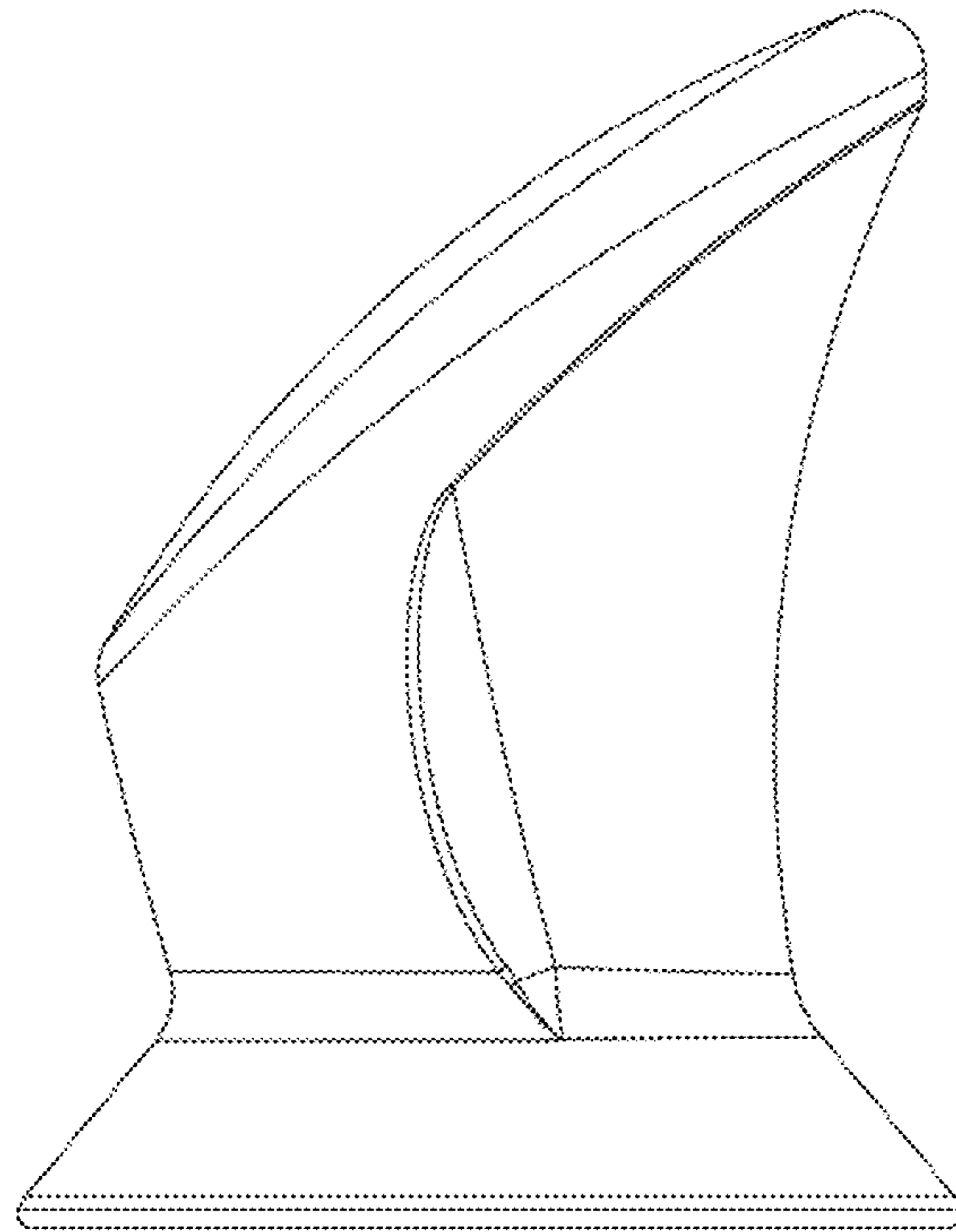


FIG. 3

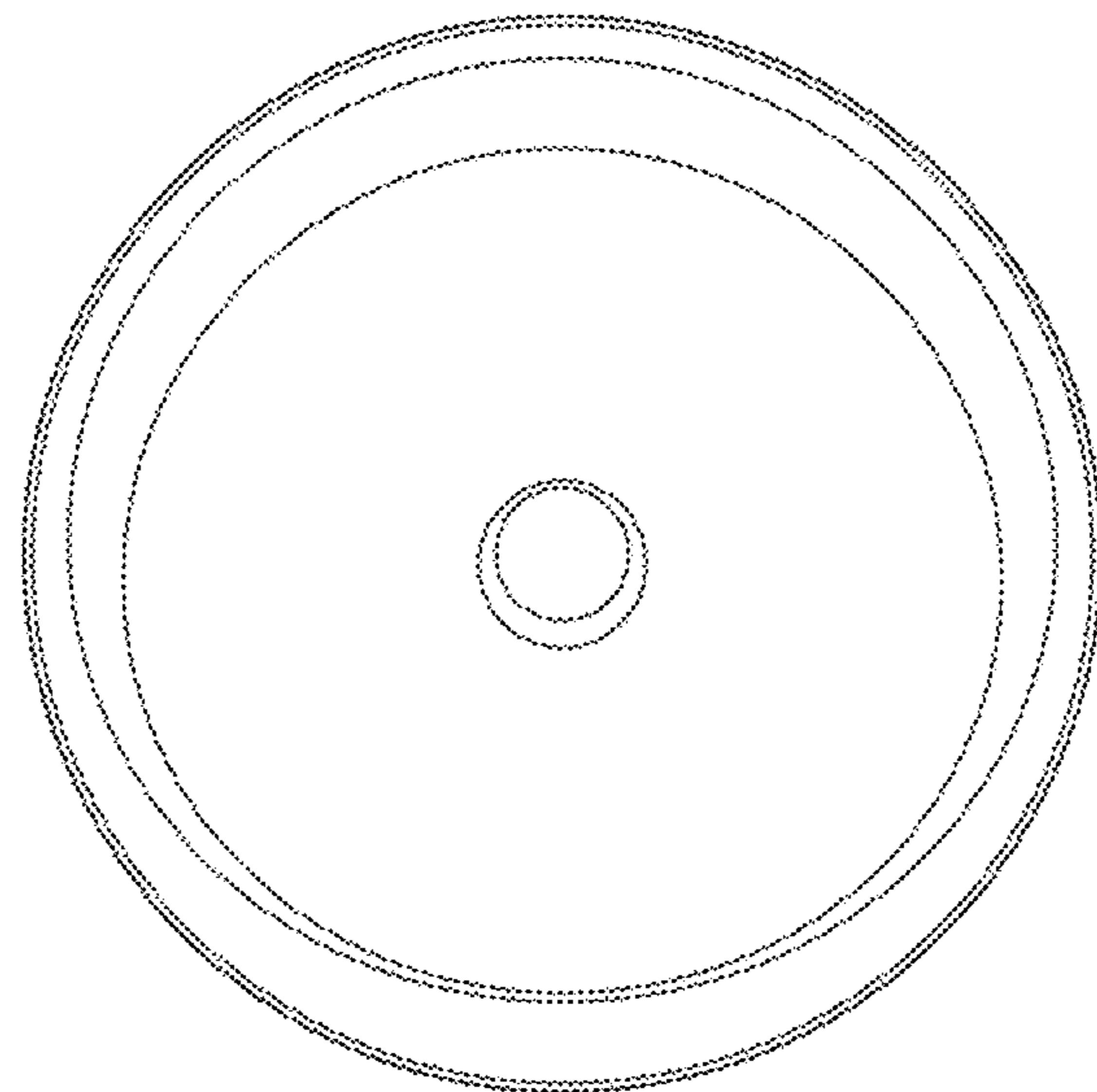


FIG. 4

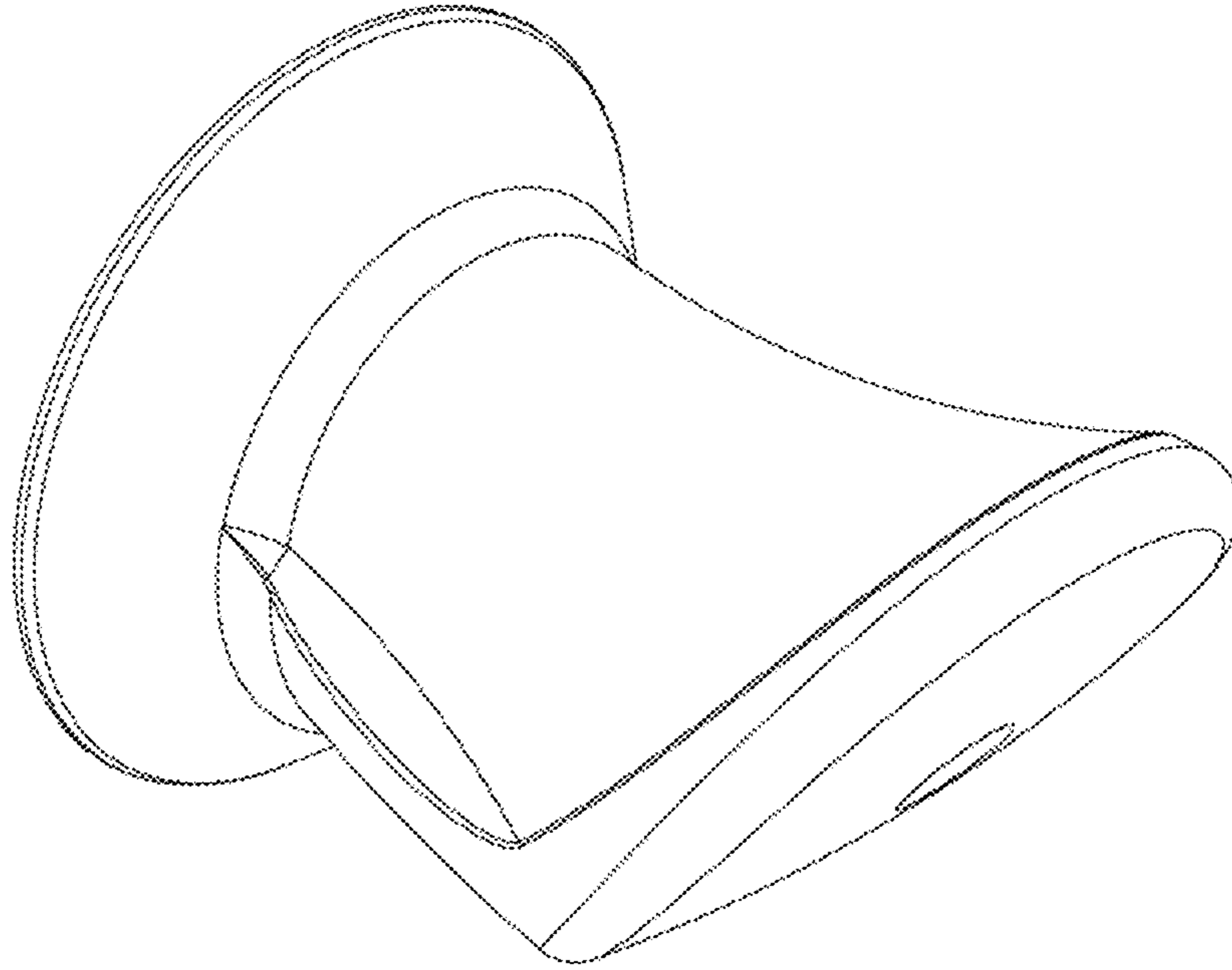


FIG. 5

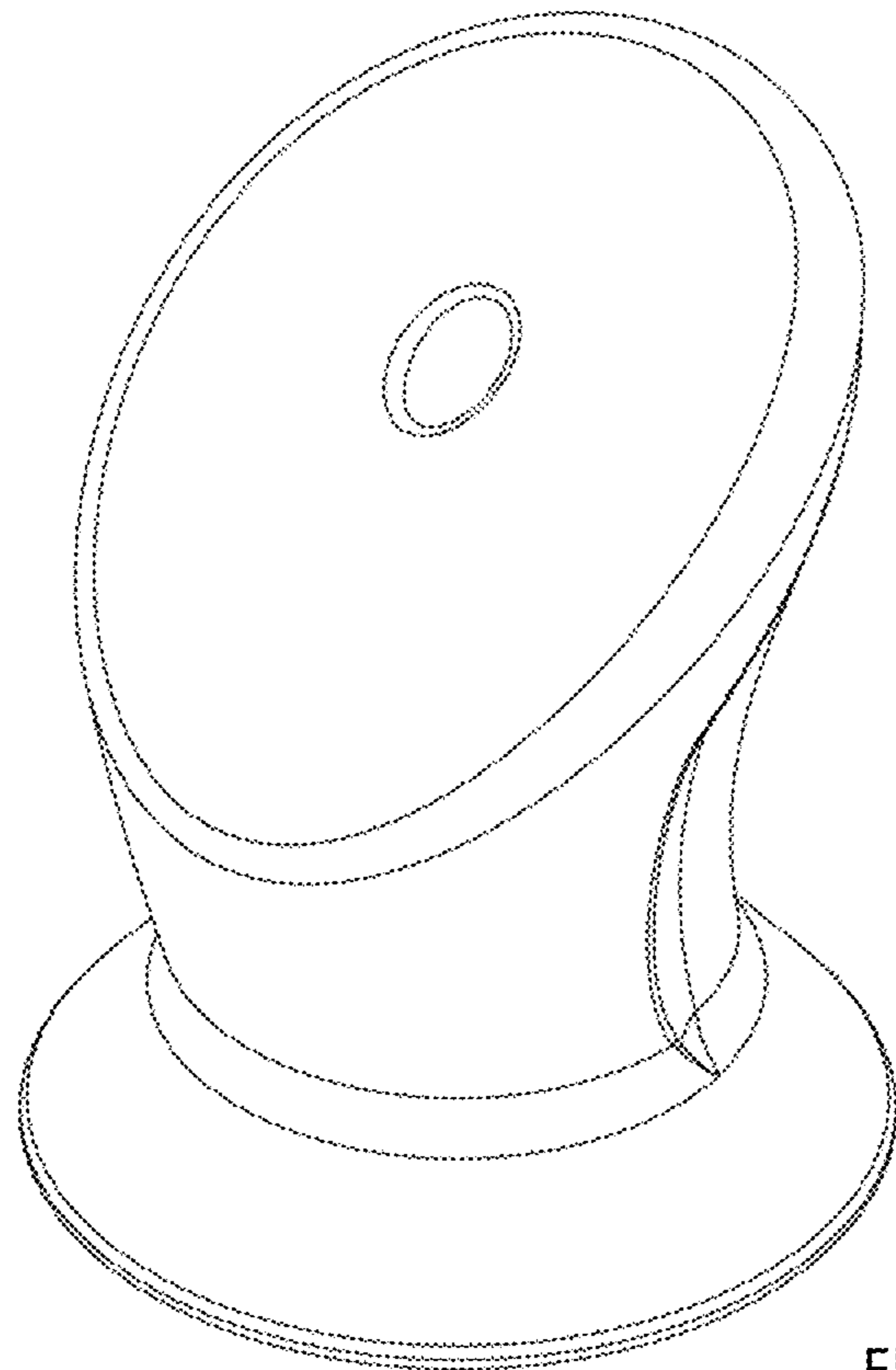


FIG. 6

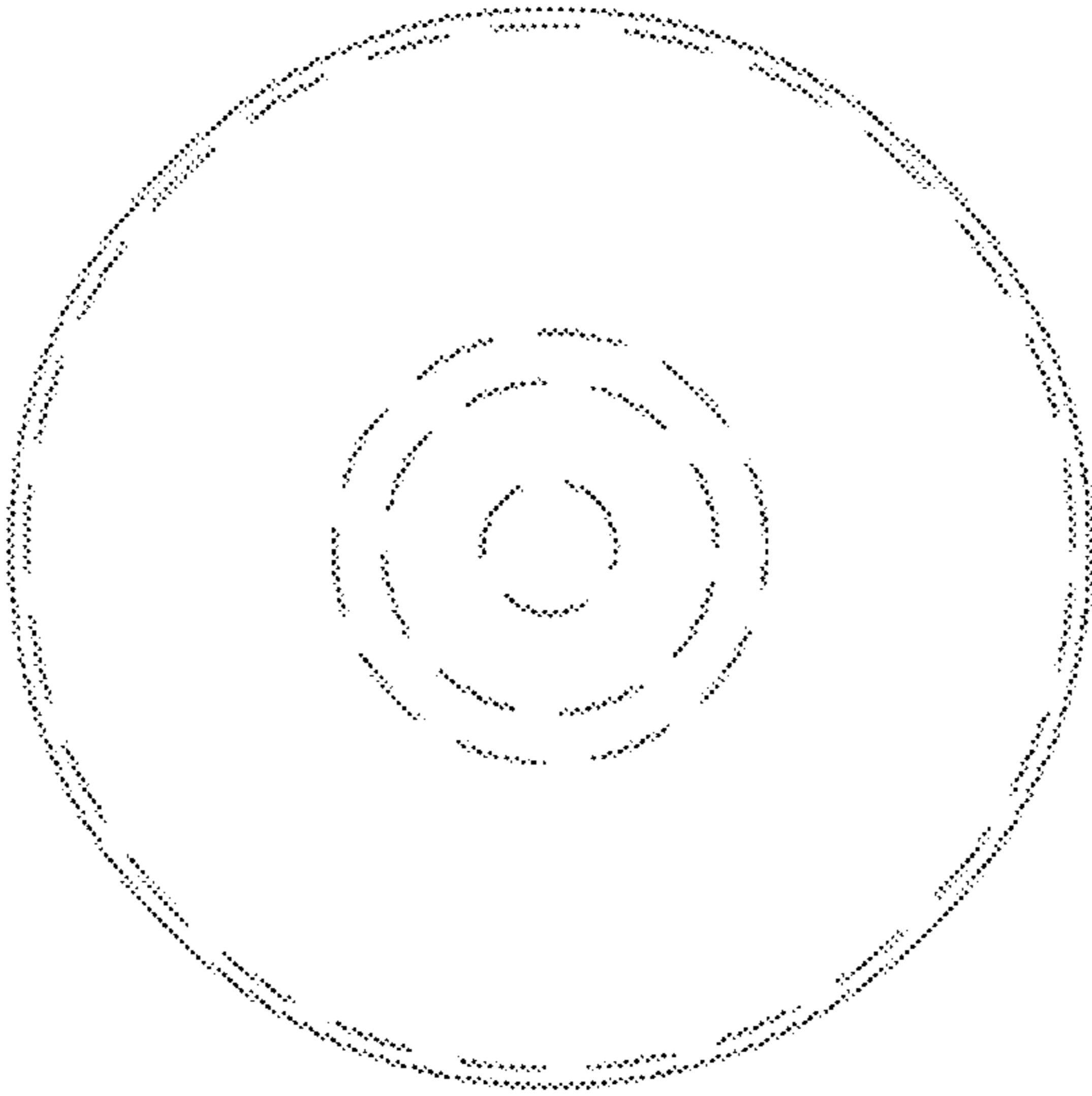


FIG. 7

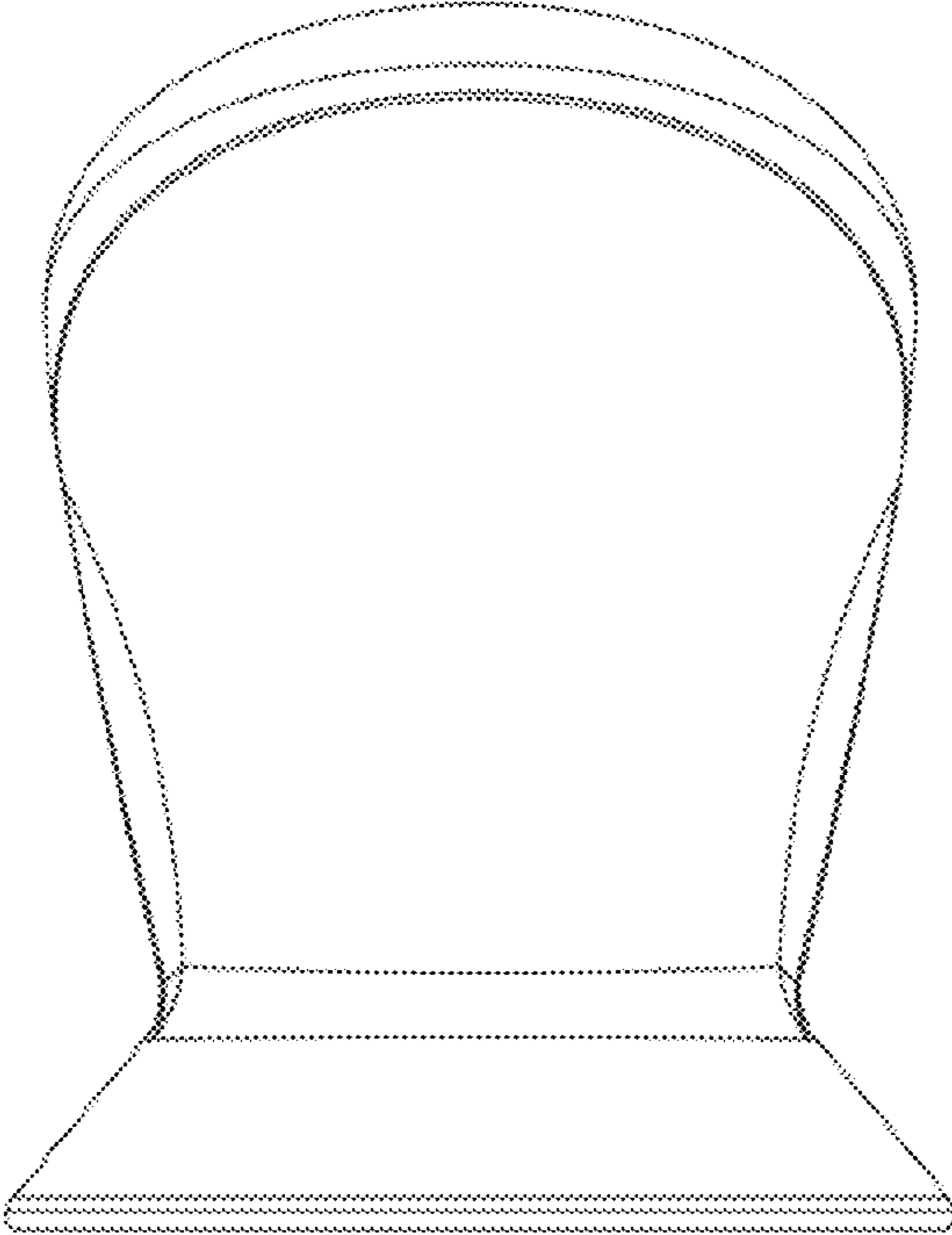


FIG. 8