



US00D721268S

(12) **United States Design Patent**
Frydlewski et al.

(10) **Patent No.:** **US D721,268 S**
(45) **Date of Patent:** **** Jan. 20, 2015**

(54) **FASTENING DEVICE**

(71) Applicant: **Hickies, Inc.**, Brooklyn, NY (US)

(72) Inventors: **Gaston Frydlewski**, Brooklyn, NY (US); **Maria Raquel Waingarten**, Brooklyn, NY (US); **David Reeb**, Sykesville, MD (US)

(73) Assignee: **Hickies, Inc.**, Brooklyn, NY (US)

(**) Term: **14 Years**

(21) Appl. No.: **29/468,999**

(22) Filed: **Oct. 4, 2013**

(51) **LOC (10) Cl.** **08-08**

(52) **U.S. Cl.**
USPC **D8/396**

(58) **Field of Classification Search**
USPC D8/356, 383, 394–396; 24/16 PB, 24/17 AP, 30.5 P, 30.5 S, 300–302, 339, 24/DIG. 16, 713, 713.1; 248/58, 60, 74.3, 248/71; 70/16; 128/878; D12/408; D2/978
See application file for complete search history.

(56) **References Cited**

U.S. PATENT DOCUMENTS

| | | | | |
|-----------|------|---------|-----------|----------|
| 565,884 | A * | 8/1896 | Emmons | 132/275 |
| 830,902 | A * | 9/1906 | Keller | 24/714.4 |
| 1,678,241 | A * | 7/1928 | Benz | 36/50.1 |
| 1,685,489 | A * | 9/1928 | Jansen | 24/713.1 |
| D89,286 | S * | 2/1933 | Rosenthal | D11/231 |
| 1,945,932 | A * | 2/1934 | Caley | 132/247 |
| D177,723 | S * | 5/1956 | Doherty | D2/978 |
| 4,112,988 | A * | 9/1978 | Nelson | 81/456 |
| 5,239,732 | A * | 8/1993 | Steven | 24/575.1 |
| 5,639,244 | A * | 6/1997 | Stricklin | 434/260 |
| 5,692,276 | A * | 12/1997 | Paxton | 24/713.6 |
| 6,490,767 | B2 * | 12/2002 | Haiduk | 24/298 |

| | | | | |
|----------|-----|--------|----------------|--------|
| D503,034 | S * | 3/2005 | Choi | D2/978 |
| D543,833 | S * | 6/2007 | Folk et al. | D8/349 |
| D614,855 | S * | 5/2010 | Inohara et al. | D2/978 |
| D615,385 | S * | 5/2010 | Arendt | D8/349 |

(Continued)

Primary Examiner — John Windmuller

(74) *Attorney, Agent, or Firm* — Venable LLP; Steven J. Schwarz; Trent B. Ostler

(57) **CLAIM**

The ornamental design for a fastening device, as shown and described.

DESCRIPTION

FIG. 1 is a front perspective view of a first embodiment of the invention.

FIG. 2 is a top plan view of FIG. 1.

FIG. 3 is a front elevation view of FIG. 1.

FIG. 4 is a right side elevation view of FIG. 1.

FIG. 5 is a left side elevation view of FIG. 1.

FIG. 6 is a rear elevation view of FIG. 1.

FIG. 7 is a bottom plan view of FIG. 1.

FIG. 8 is a front perspective view of a second embodiment of the invention.

FIG. 9 is a top plan view of FIG. 8.

FIG. 10 is a front elevation view of FIG. 8.

FIG. 11 is a left side elevation view of FIG. 8.

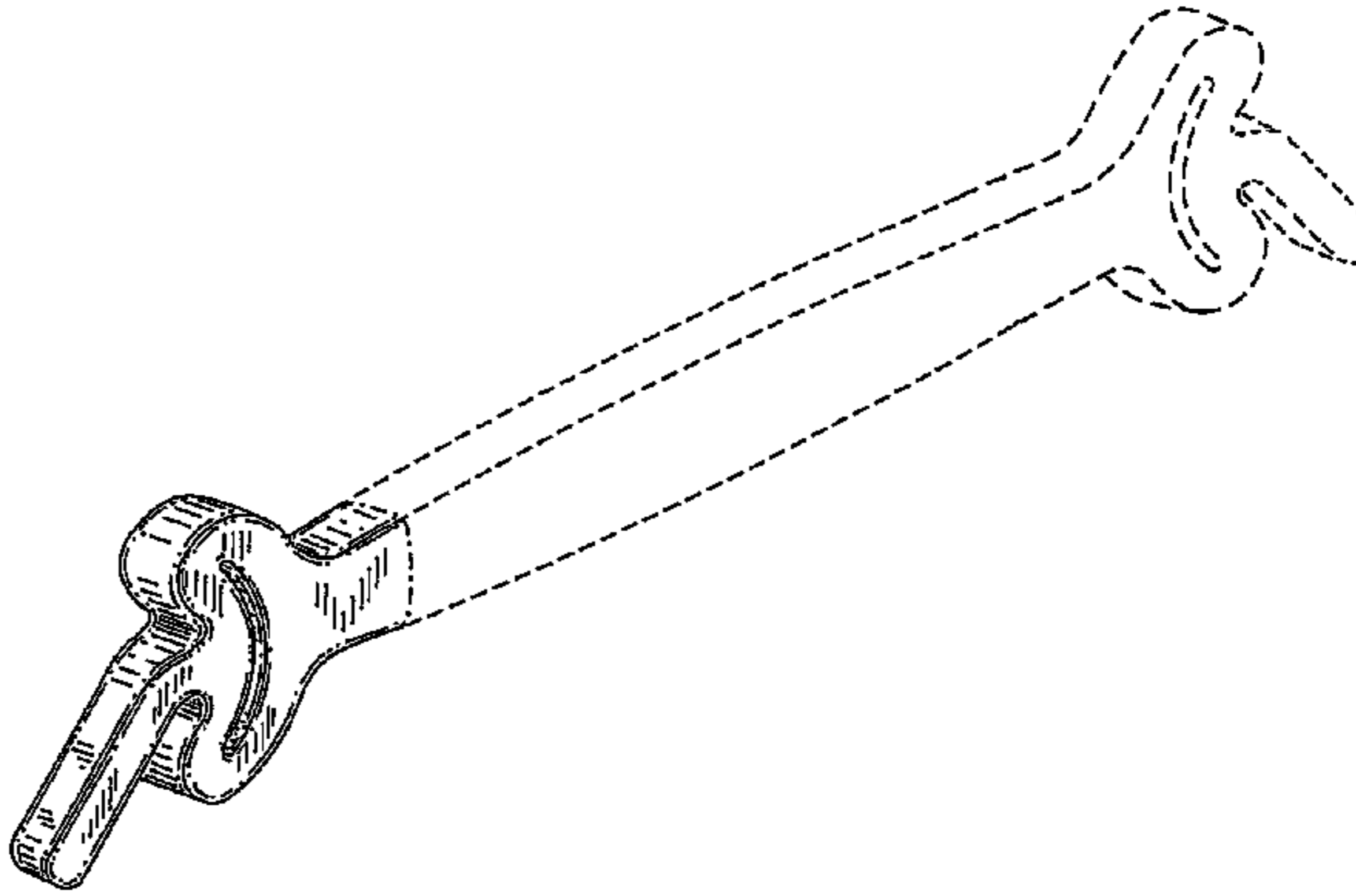
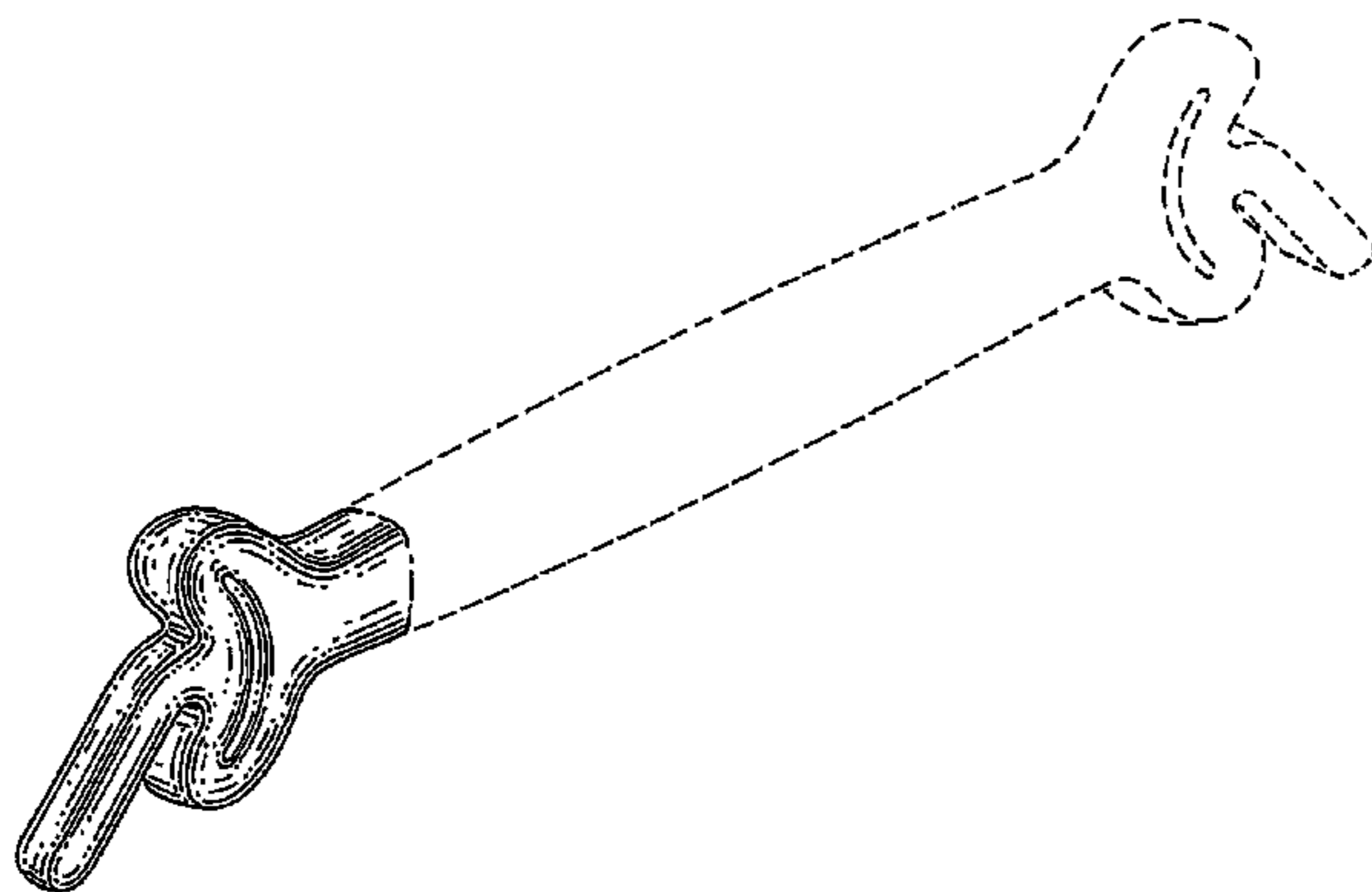
FIG. 12 is a right side elevation view of FIG. 8.

FIG. 13 is a rear plan view of FIG. 8; and,

FIG. 14. is a bottom reversed plan view of FIG. 8.

The broken lines in the figures represent areas of the fastening device that form no part of the claimed design. The dash-dot-dash lines in the figures represent boundaries between claimed and unclaimed field areas, e.g., the field-break lines in FIG. 1 noting no claim beyond the end-portion. Shading lines are provided as illustrative aids only, and no claim is made to a surface texture.

1 Claim, 6 Drawing Sheets



US D721,268 S

Page 2

(56)

References Cited

U.S. PATENT DOCUMENTS

| | | | | | | | | | |
|----------|---|---|--------------|-----------------|---------|----------------|-------|-------|----|
| | | | 2003/0140459 | A1* | 7/2003 | Strange et al. | | 24/16 | PB |
| | | | 2004/0139583 | A1* | 7/2004 | Wendle | | 24/16 | PB |
| | | | 2005/0251967 | A1* | 11/2005 | McNeill | | 24/16 | PB |
| D641,708 | S | * | 7/2011 | Yamauchi | | D13/154 | | | |
| D672,230 | S | * | 12/2012 | Laverack et al. | | D8/396 | | | |

* cited by examiner

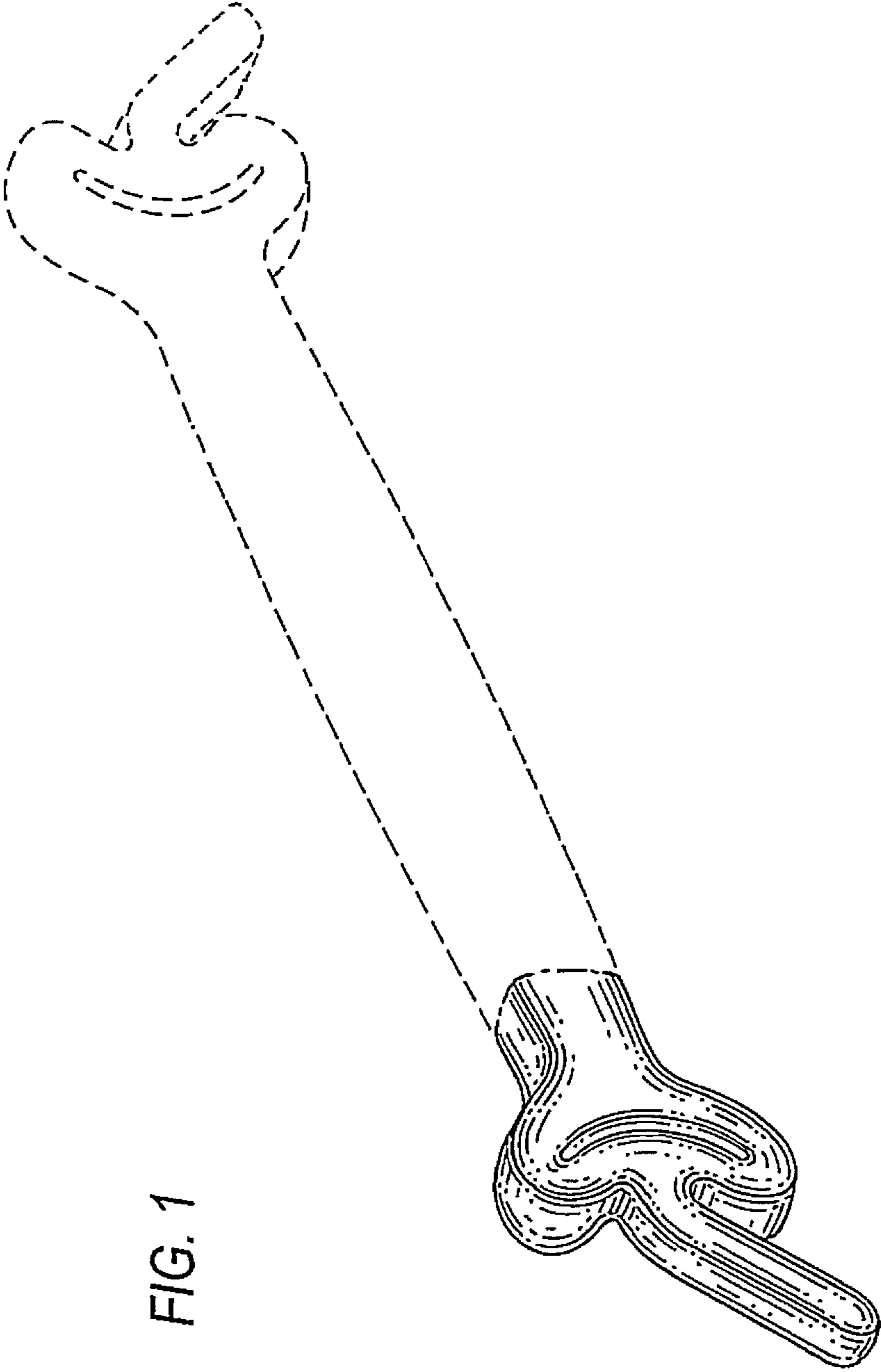


FIG. 1

FIG. 2

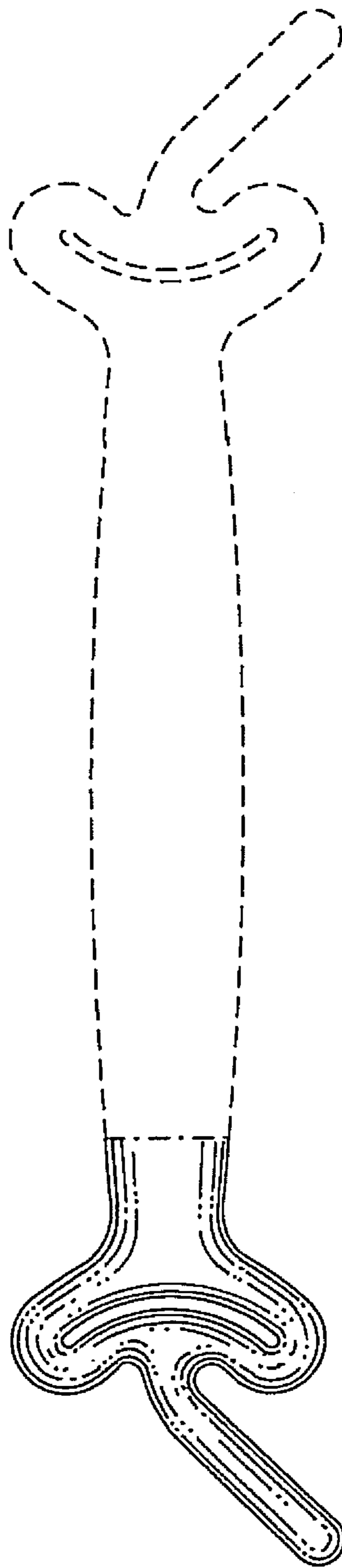
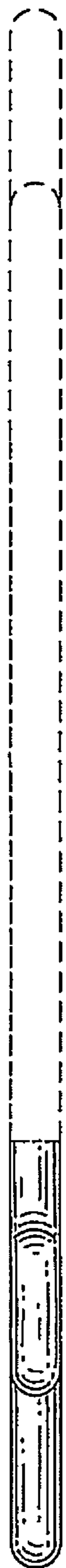
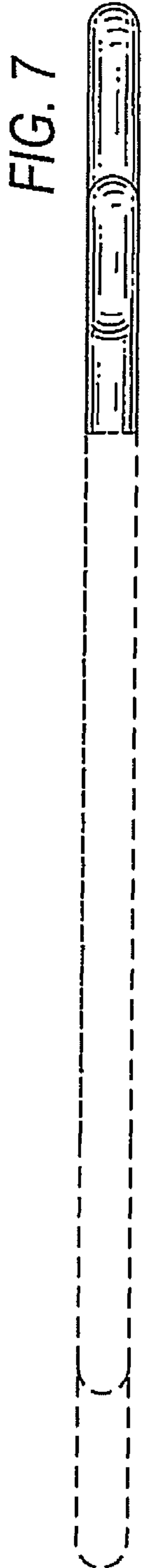
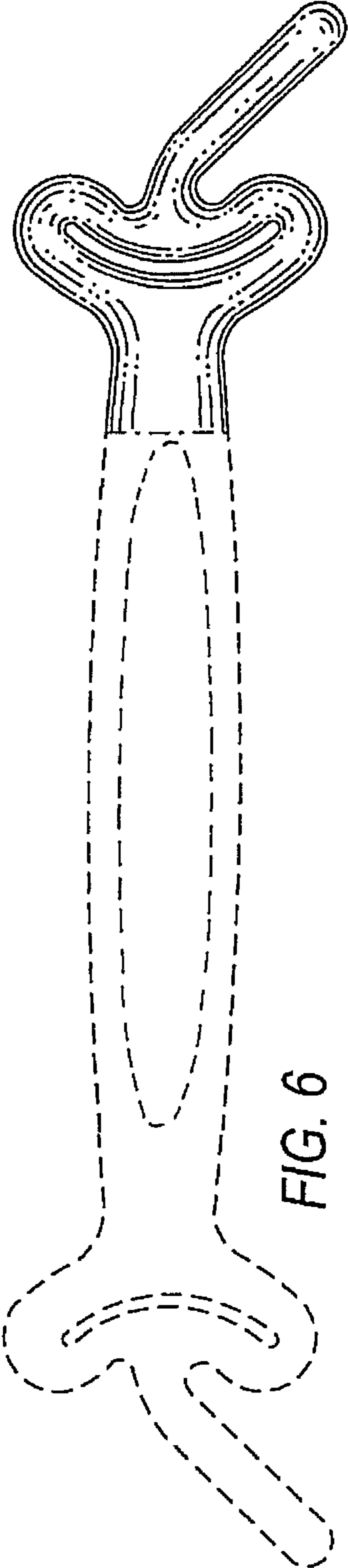
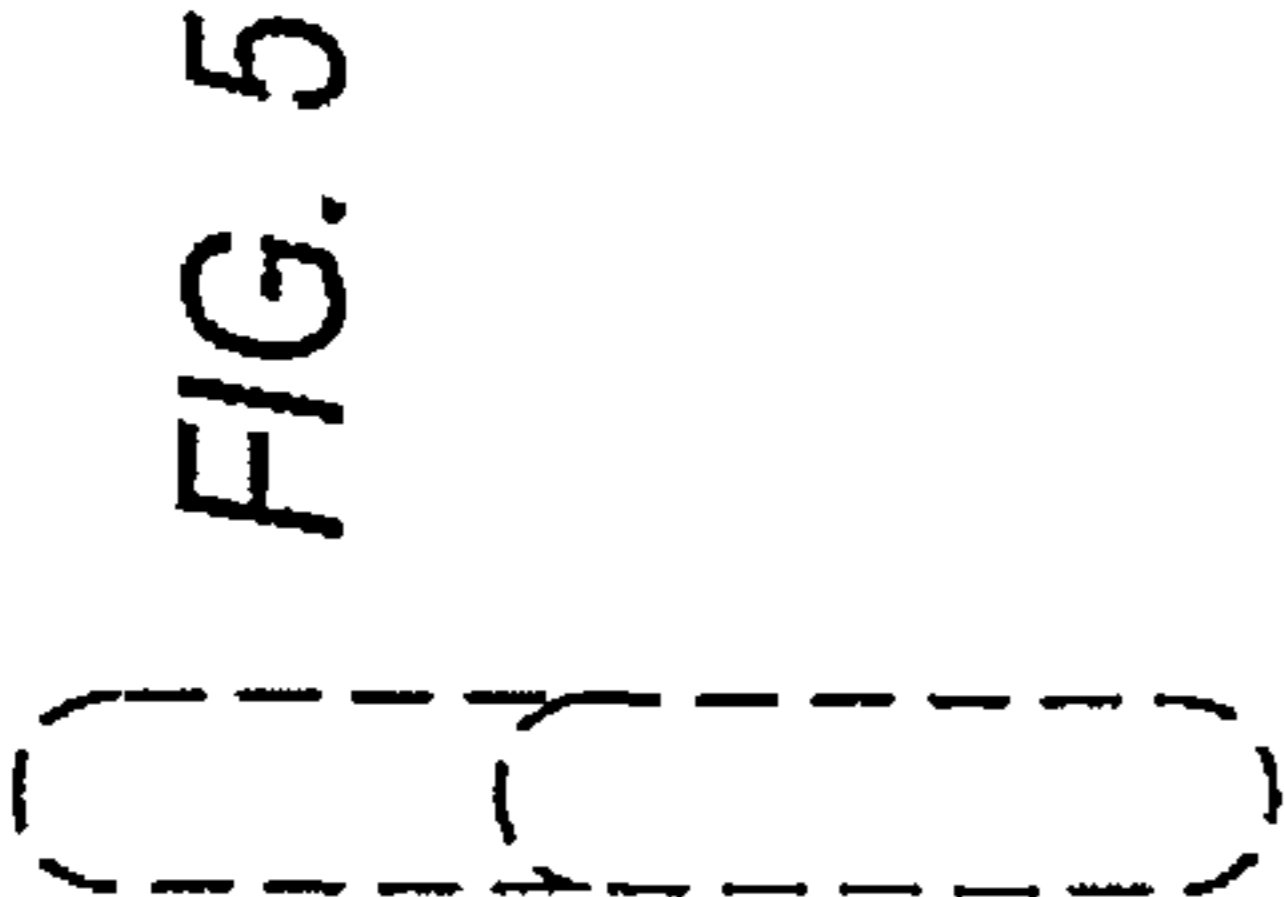


FIG. 3



FIG. 4



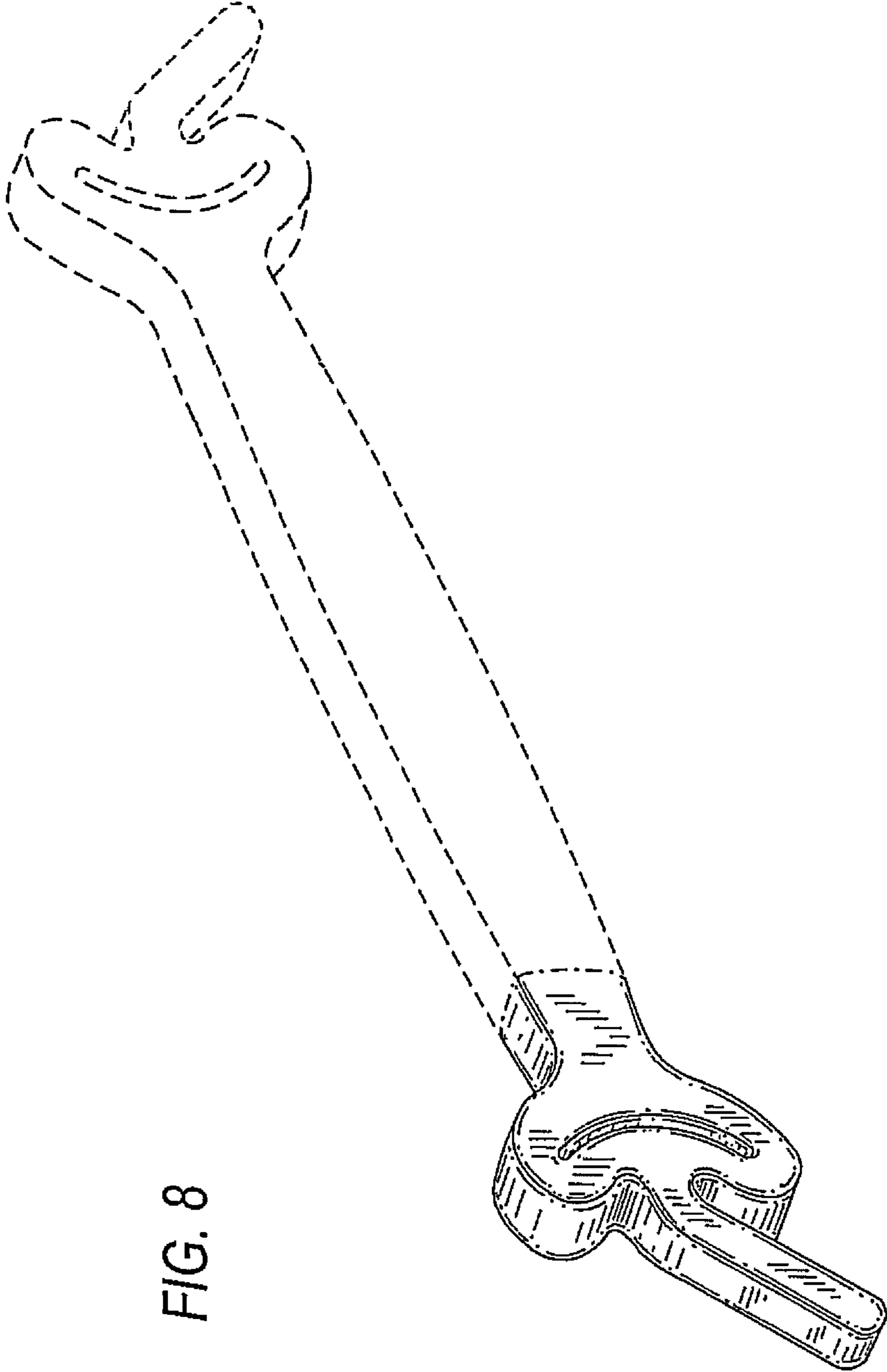


FIG. 8

FIG. 9



FIG. 10

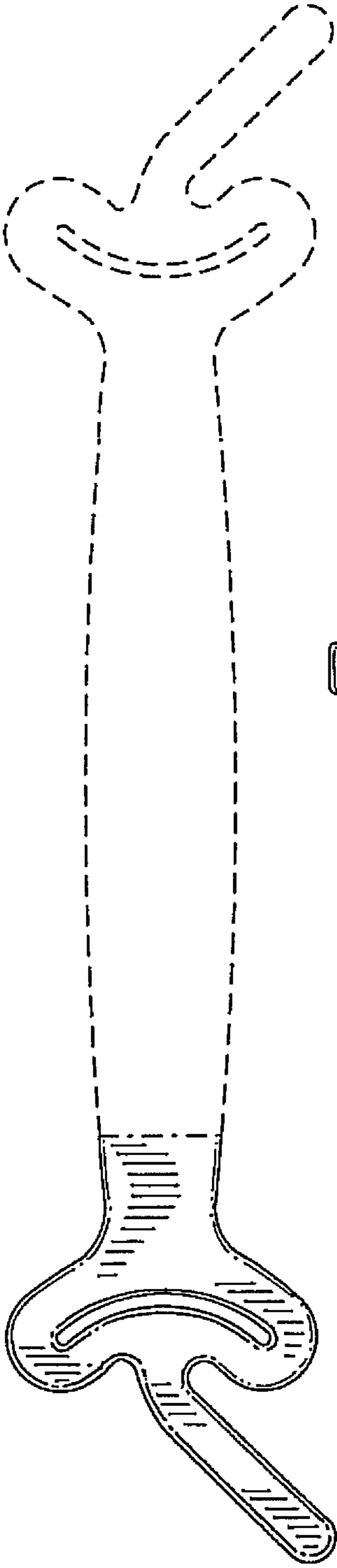


FIG. 11



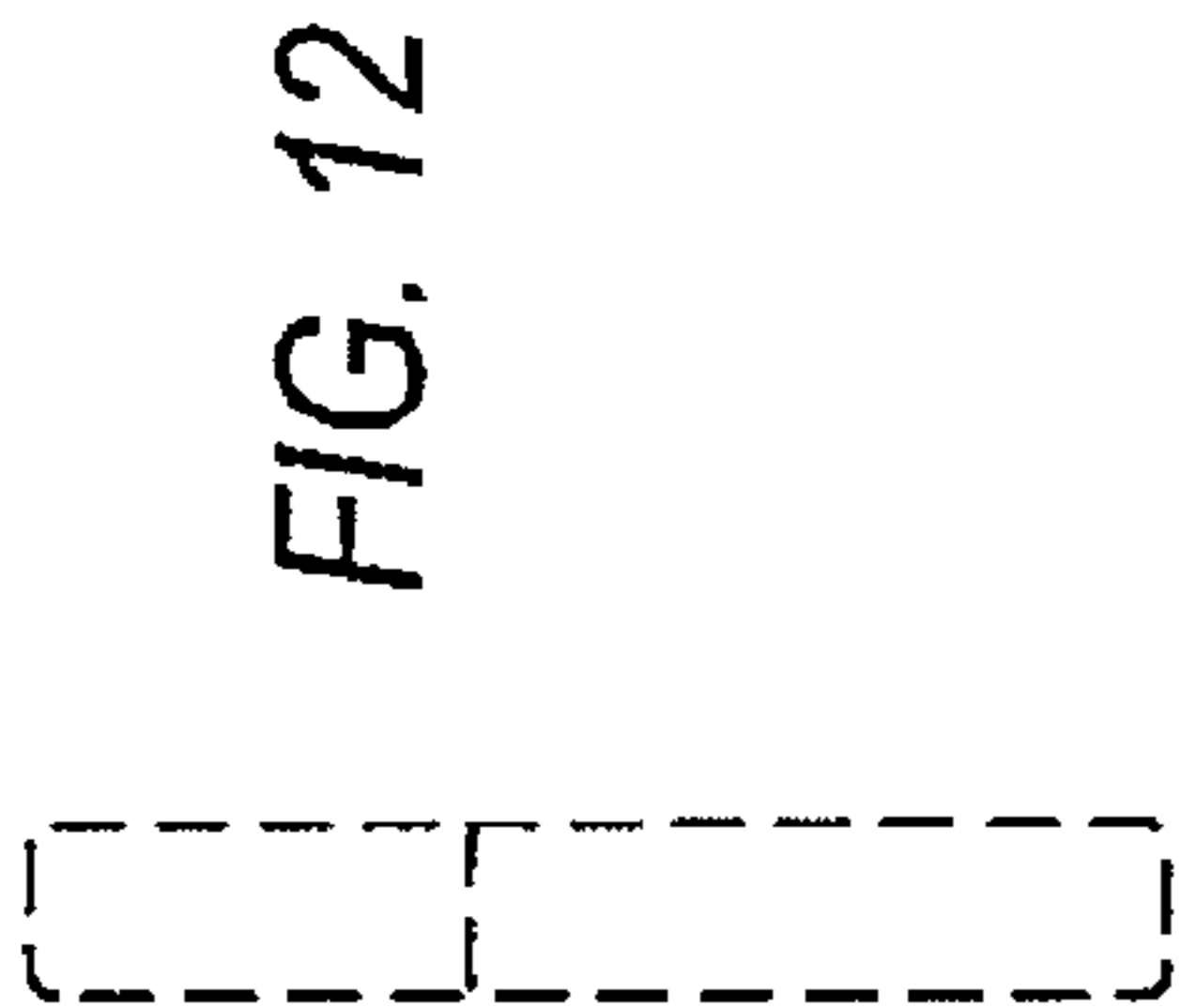


FIG. 12

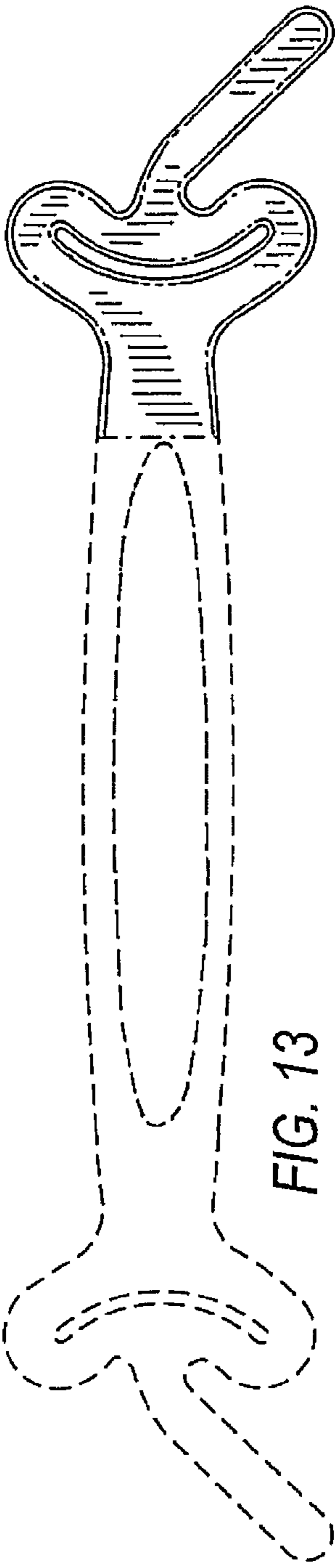


FIG. 13



FIG. 14