



US00D721267S

(12) **United States Design Patent**
Chun

(10) **Patent No.:** **US D721,267 S**

(45) **Date of Patent:** **** Jan. 20, 2015**

(54) **ADJUSTABLE BALL MOUNT ADAPTER**

D656,392 S * 3/2012 McKenna D8/382
8,353,776 B2 * 1/2013 Zhang et al. 464/106
8,419,309 B2 * 4/2013 Wimberley 403/90

(71) Applicant: **James K. Chun**, Fremont, CA (US)

* cited by examiner

(72) Inventor: **James K. Chun**, Fremont, CA (US)

Primary Examiner — Sheryl Lane

(**) Term: **14 Years**

(74) *Attorney, Agent, or Firm* — Dean A. Craine

(21) Appl. No.: **29/441,711**

(57) **CLAIM**

The ornamental design for an adjustable ball mount adapter.

(22) Filed: **Jan. 9, 2013**

DESCRIPTION

(51) **LOC (10) Cl.** **08-08**

FIG. 1 is a front top perspective view of an adjustable ball mount adapter.

(52) **U.S. Cl.**

FIG. 2 is a front bottom perspective view of the adjustable ball mount adapter.

USPC **D8/387**

(58) **Field of Classification Search**

FIG. 3 is a left side elevational view of the adjustable ball mount adapter.

USPC D8/349, 354, 382, 388, 391, 387;
D23/262; 285/405–406, 314, 18, 325,
285/276; 439/700, 864; 403/76, 90, 122;
248/181.1, 288.31, 288.51

FIG. 4 is a front elevational view of the adjustable ball mount adapter.

See application file for complete search history.

FIG. 5 is a rear elevational view of the adjustable ball mount adapter.

(56) **References Cited**

FIG. 6 is a right side elevational view of the adjustable ball mount adapter.

U.S. PATENT DOCUMENTS

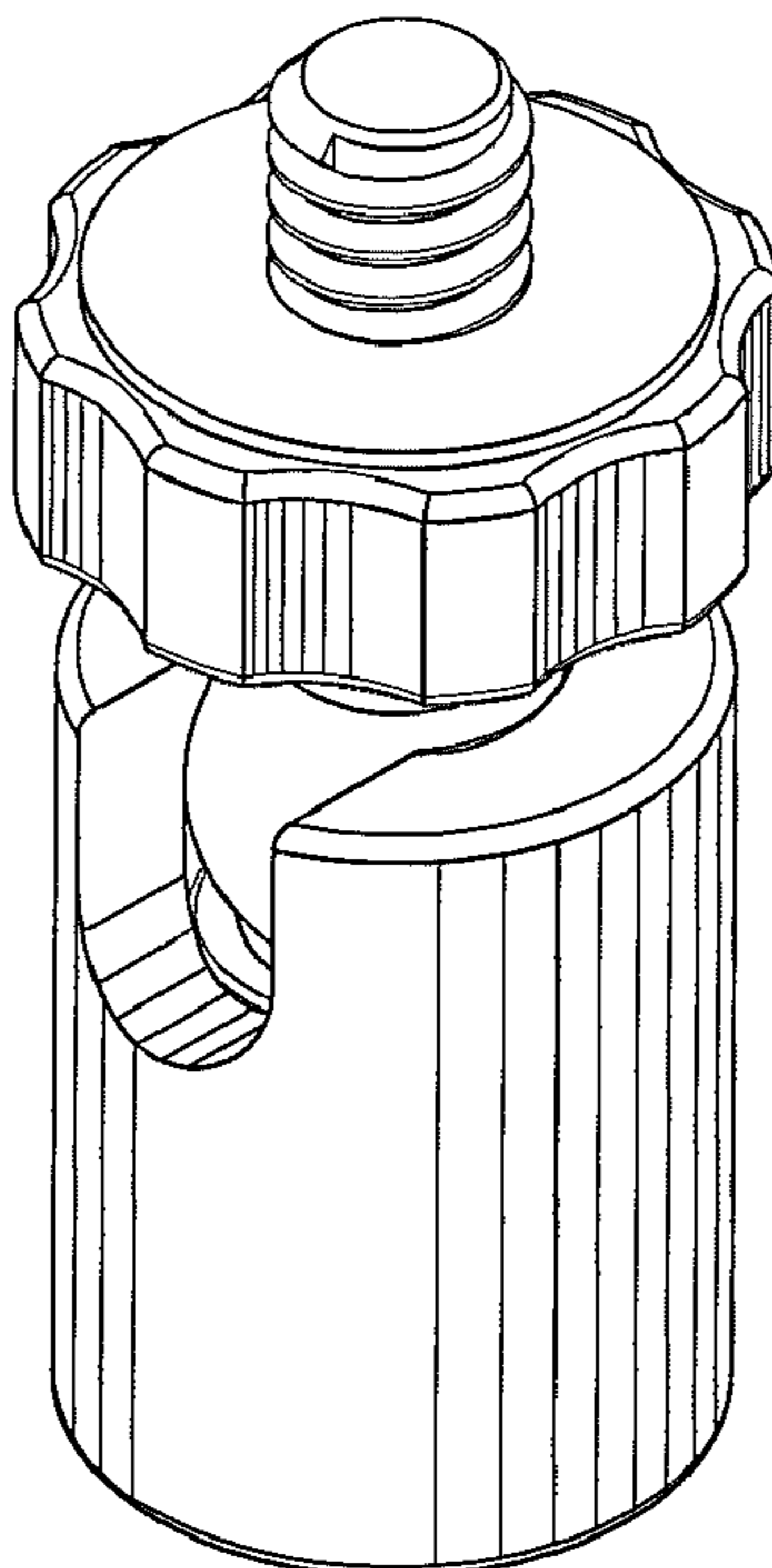
4,606,668 A * 8/1986 Schmidt 403/140
4,974,802 A * 12/1990 Hendren 248/181.1
D357,176 S * 4/1995 Ernest et al. D8/387
5,544,968 A * 8/1996 Goellner 403/31
6,238,124 B1 * 5/2001 Merlo 403/93
7,320,555 B2 * 1/2008 Chang et al. 403/122

FIG. 7 is a top plan view of the adjustable ball mount adapter; and,

FIG. 8 is a bottom plan view of the adjustable ball mount adapter.

The broken lines shown in the drawings illustrate unclaimed portions of an adjustable ball mount adapter and form no part of the claimed design.

1 Claim, 2 Drawing Sheets



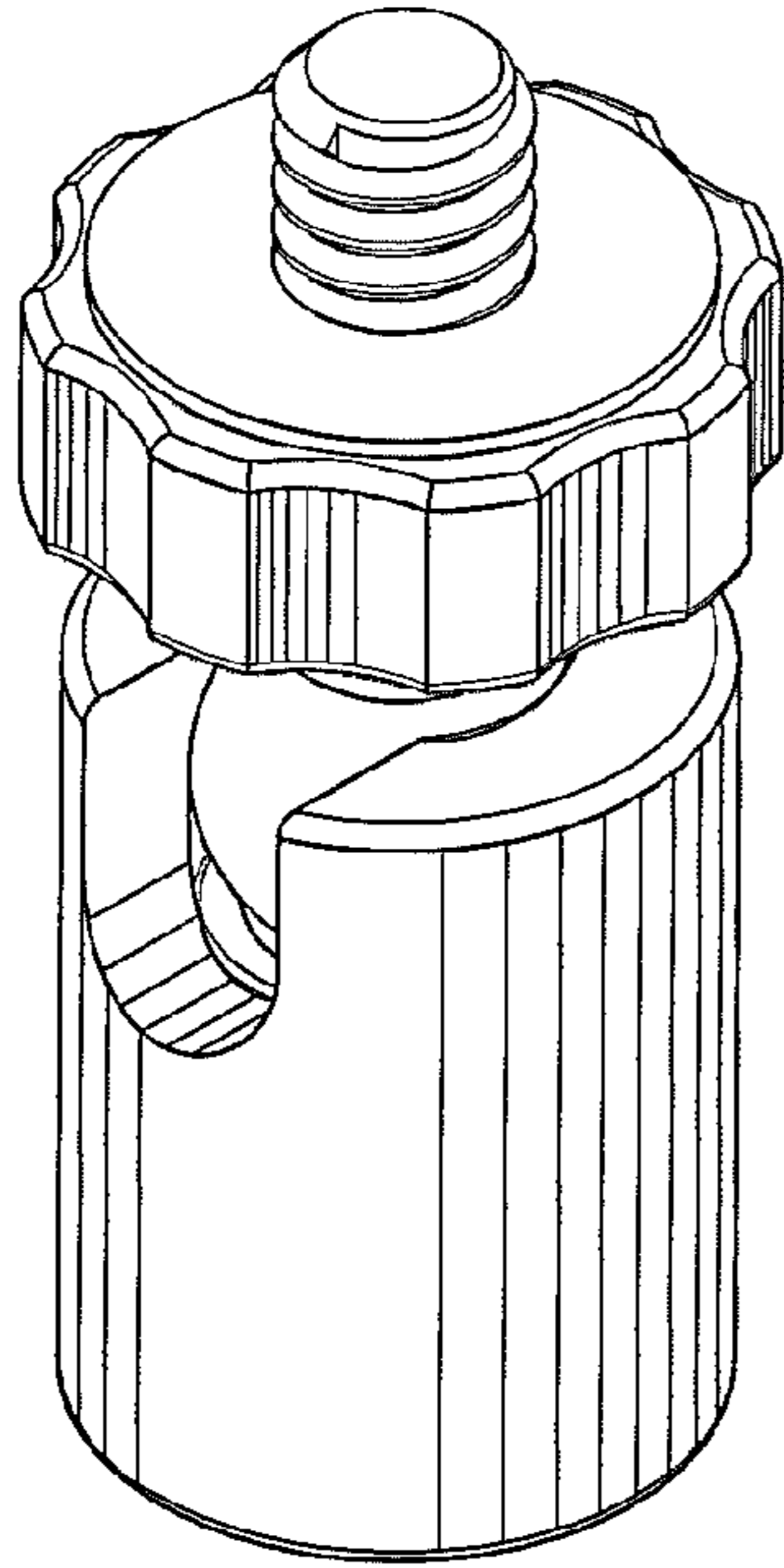


Fig. 1

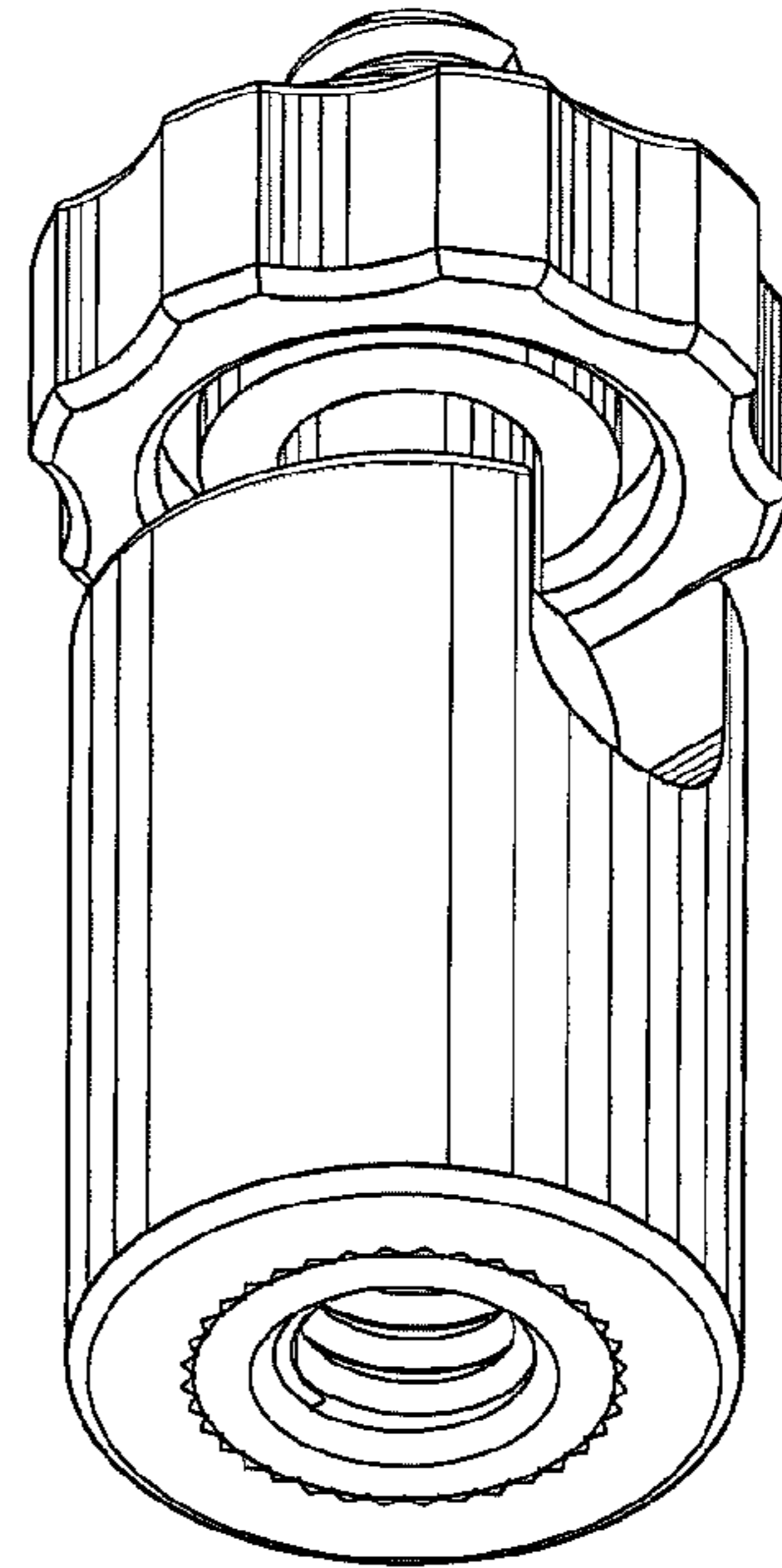


Fig. 2

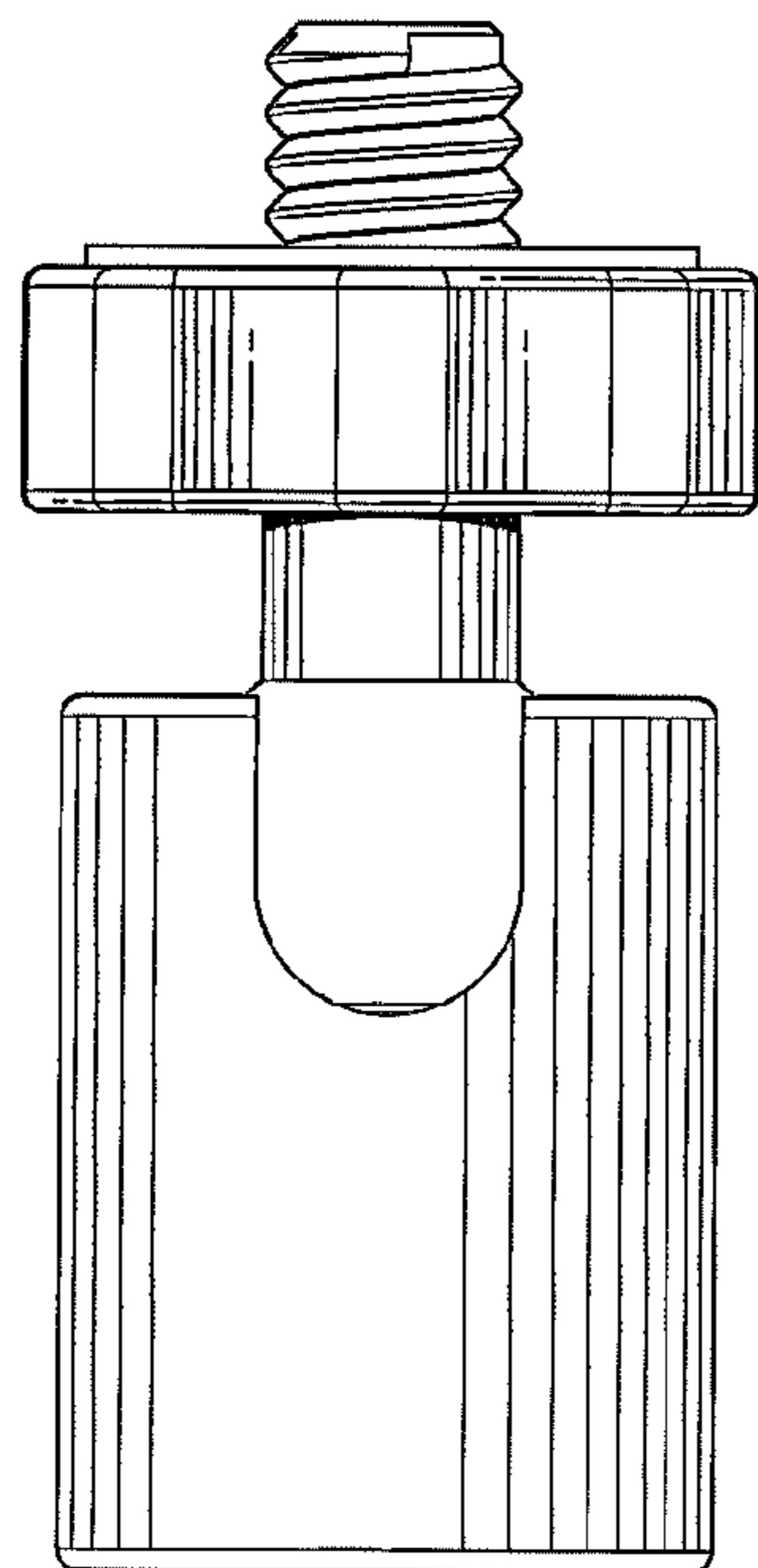


Fig. 3

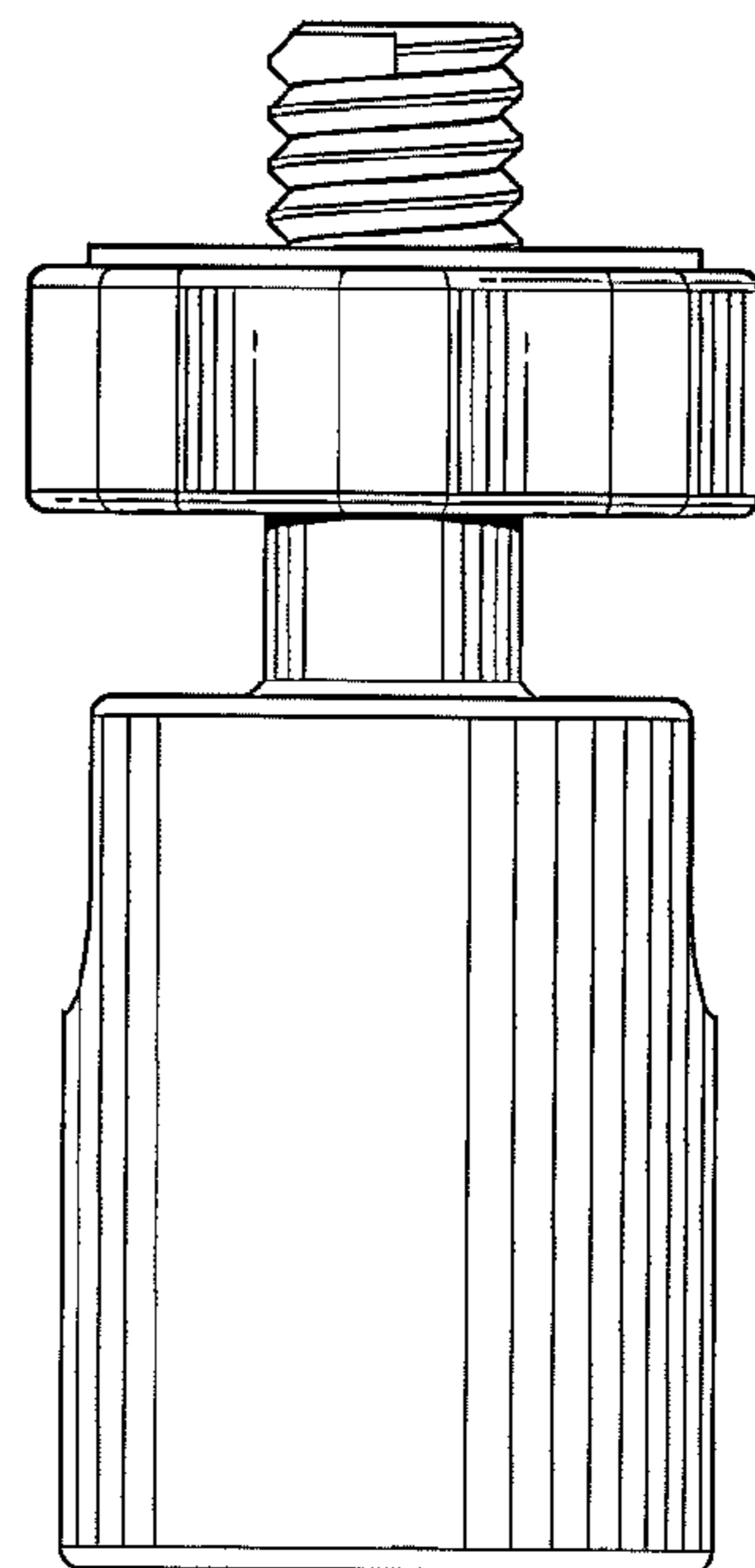


Fig. 4

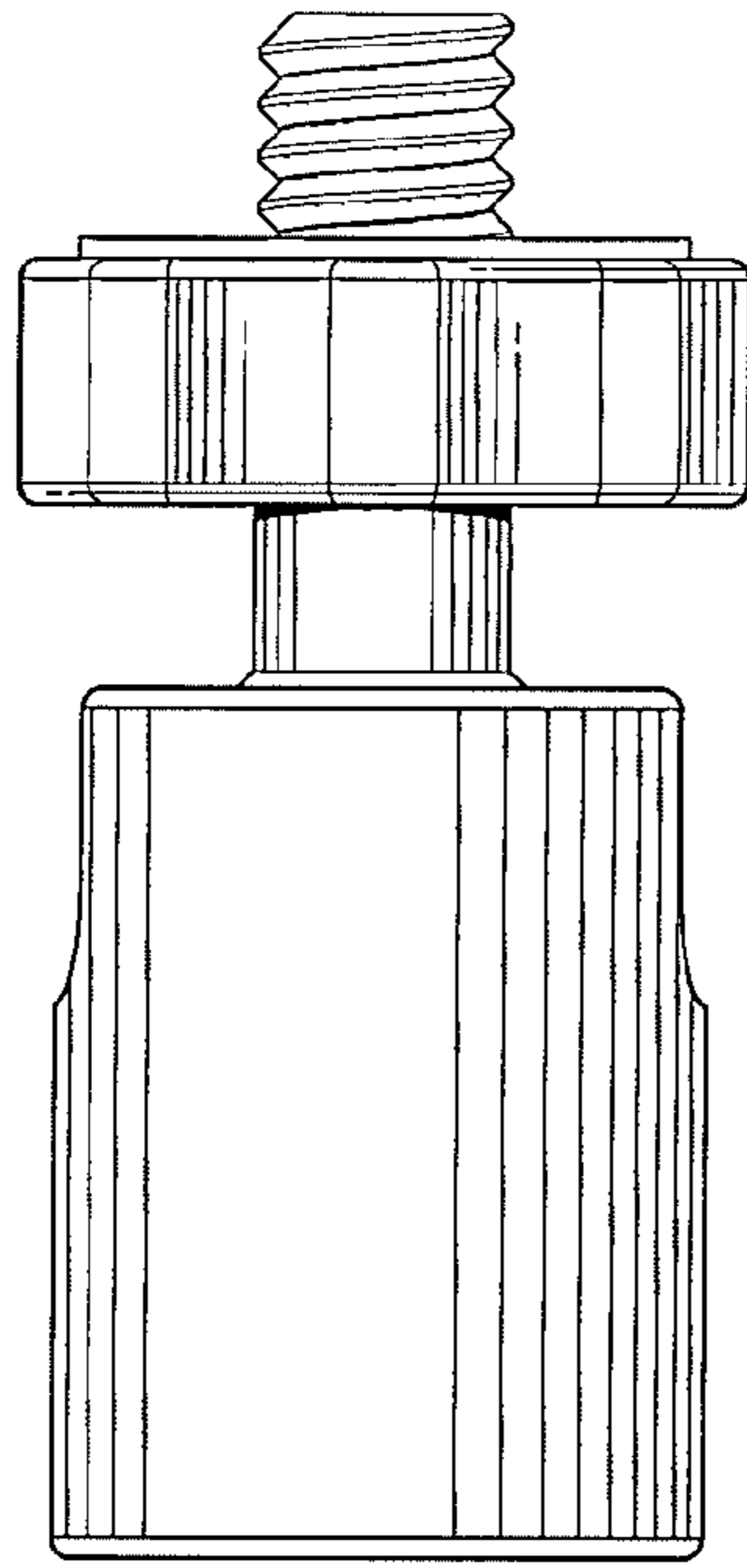


Fig. 5

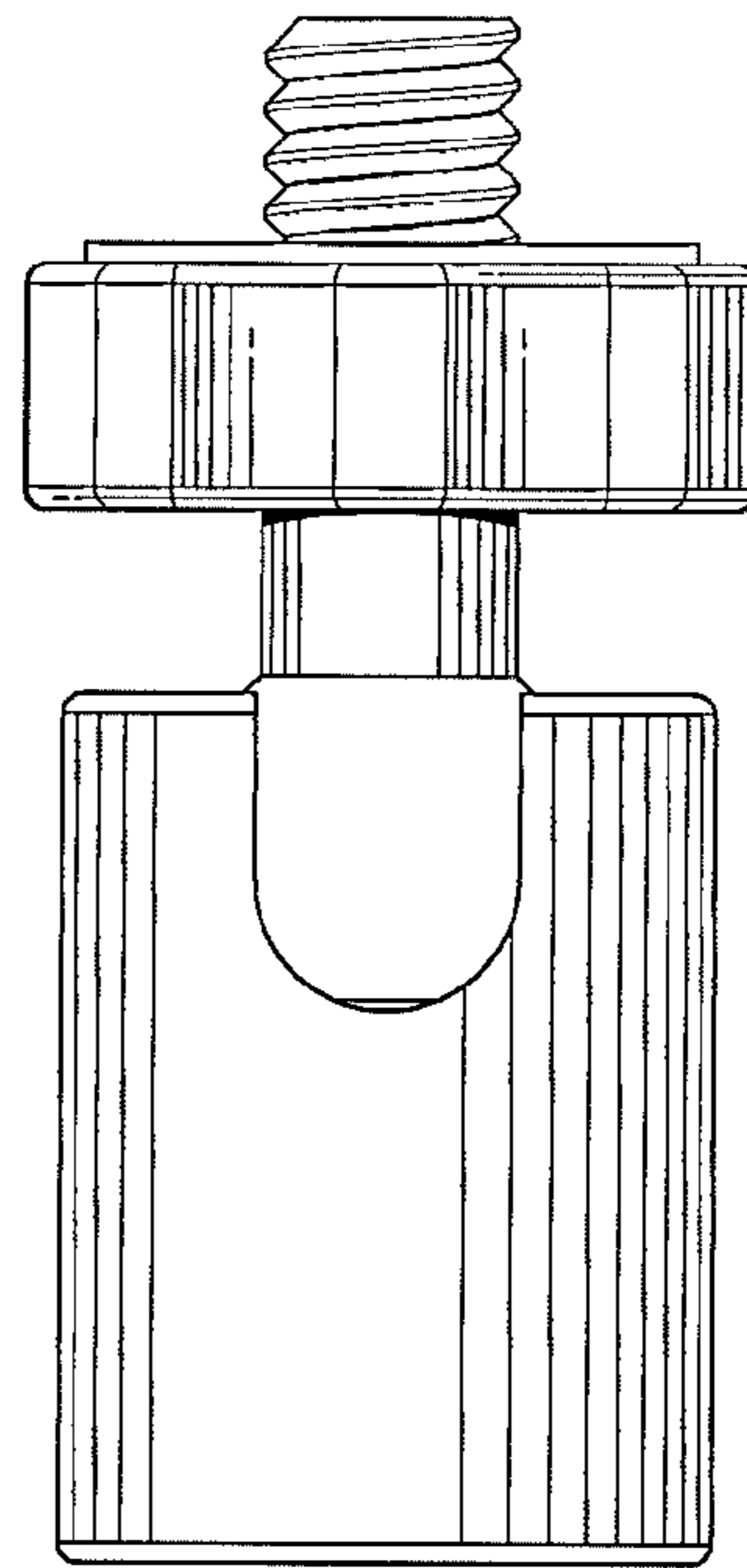


Fig. 6

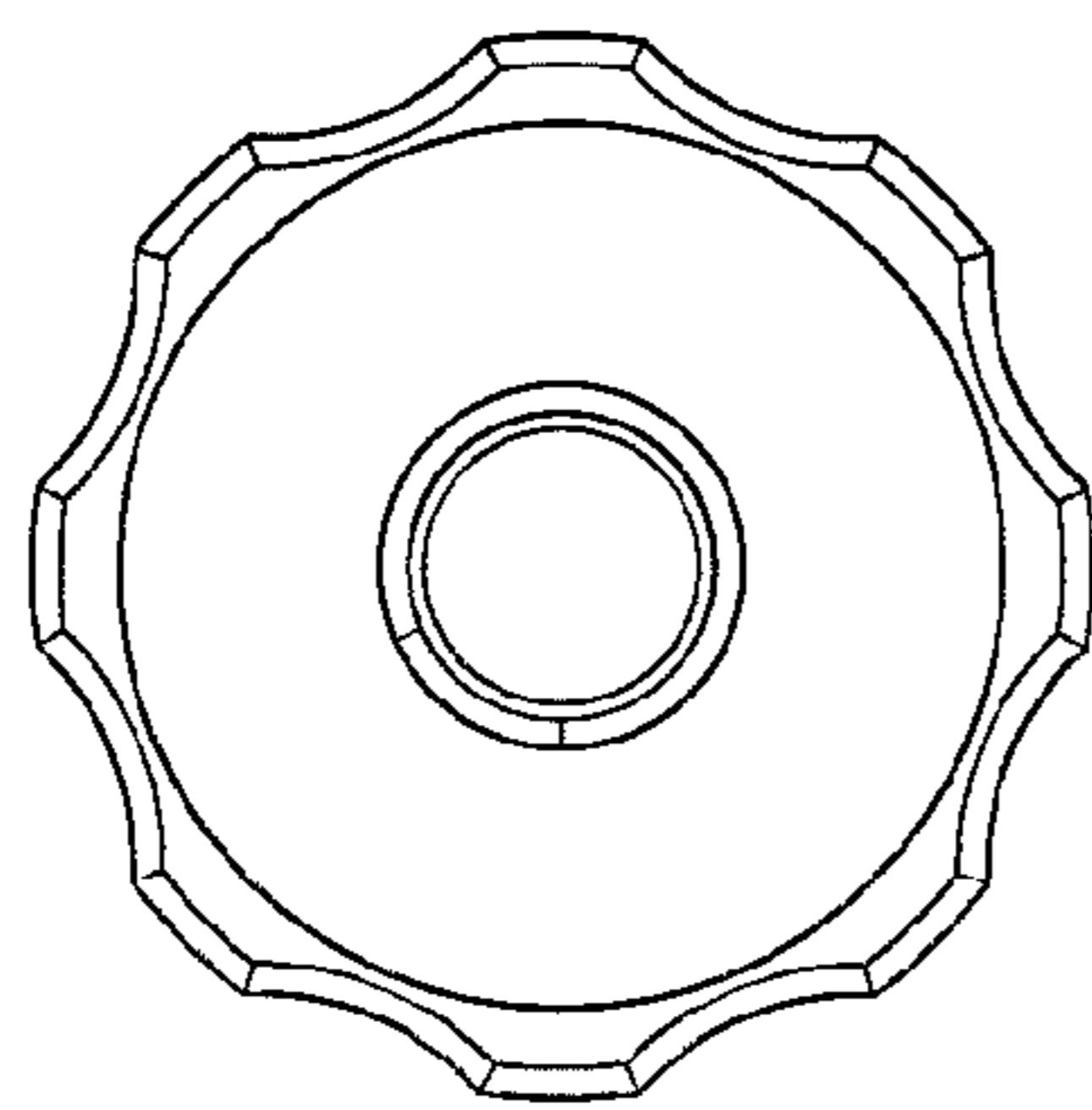


Fig. 7

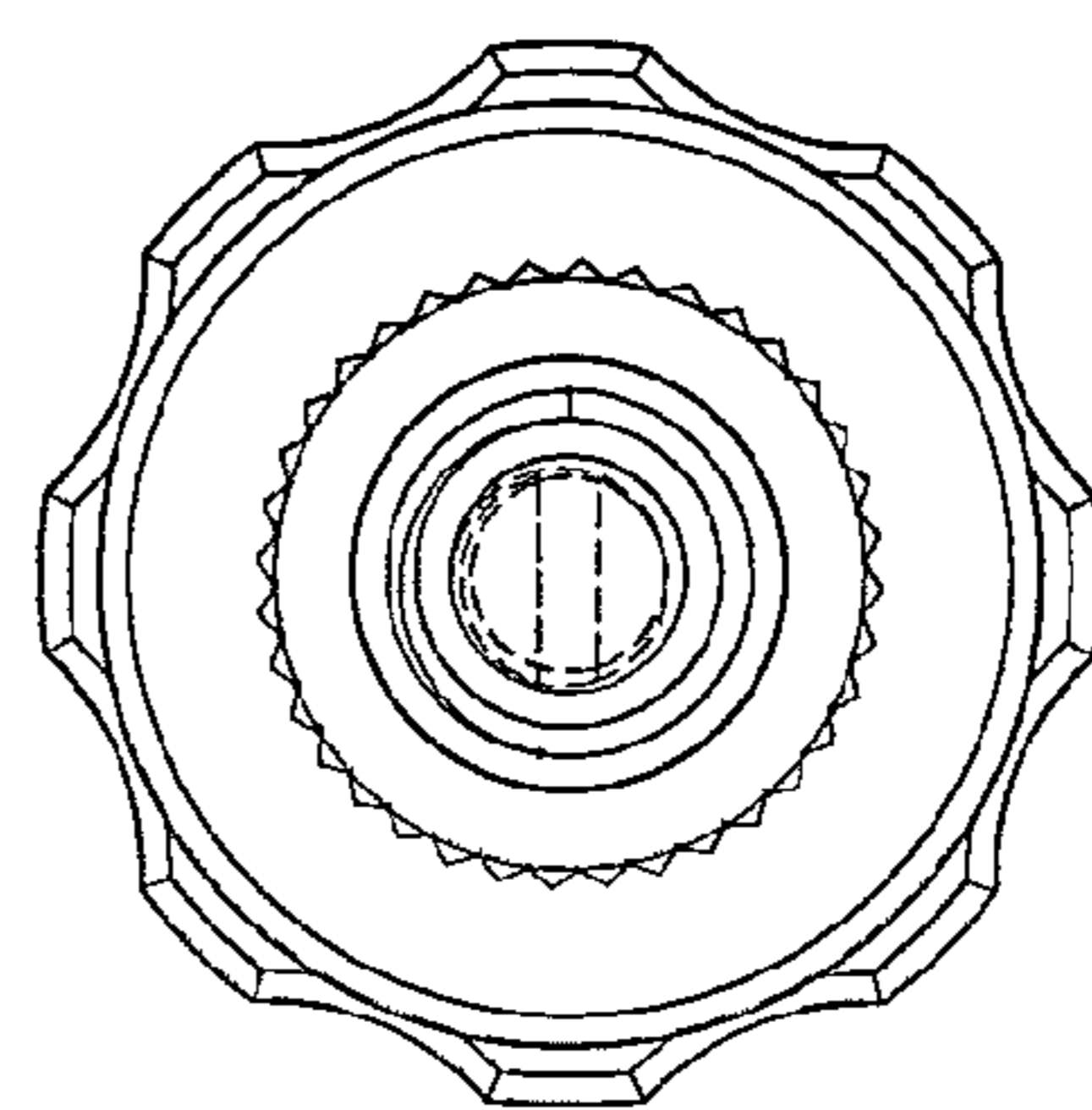


Fig. 8