



US00D721266S

(12) **United States Design Patent**
Sun

(10) **Patent No.:** **US D721,266 S**
(45) **Date of Patent:** **** Jan. 20, 2015**

(54) **QUICK CONNECTOR**

(71) Applicant: **Eric Suyu Sun**, Huntington Beach, CA
(US)

(72) Inventor: **Eric Suyu Sun**, Huntington Beach, CA
(US)

(**) Term: **14 Years**

(21) Appl. No.: **29/436,651**

(22) Filed: **Nov. 8, 2012**

(51) **LOC (10) Cl.** **08-08**

(52) **U.S. Cl.**
USPC **D8/382**

(58) **Field of Classification Search**
USPC D8/349, 354, 382, 388, 391; D23/262;
285/405-406, 314, 18, 325, 276;
439/700, 864

See application file for complete search history.

(56) **References Cited**

U.S. PATENT DOCUMENTS

2,767,384	A *	10/1956	Burke	439/864
3,498,653	A	3/1970	McCreery		
3,672,784	A	6/1972	McCreery		
4,135,418	A	1/1979	McCray		
4,197,771	A	4/1980	Heaton		
4,350,463	A	9/1982	Friedline		
4,645,391	A	2/1987	Fallert		
4,708,040	A	11/1987	Erickson		
4,726,269	A	2/1988	Erickson		
4,736,659	A	4/1988	Erickson		

4,747,735	A	5/1988	Erickson		
4,850,154	A	7/1989	Grammer et al.		
4,863,323	A	9/1989	Glaser		
D327,314	S *	6/1992	Hayes	D23/262
D397,413	S *	8/1998	Sapp	D23/262
6,799,919	B2	10/2004	Reynertson		
D521,614	S *	5/2006	Kitagawa	D23/262
7,621,785	B2 *	11/2009	Lin	439/700
7,673,911	B2 *	3/2010	Liu	285/316
7,775,562	B2 *	8/2010	Sawada	285/406
D632,763	S *	2/2011	McCarthy	D23/262
D637,692	S *	5/2011	Riedel	D23/209
D701,111	S *	3/2014	Bianco et al.	D8/382
D703,519	S *	4/2014	Senseney et al.	D8/382

* cited by examiner

Primary Examiner — Sheryl Lane

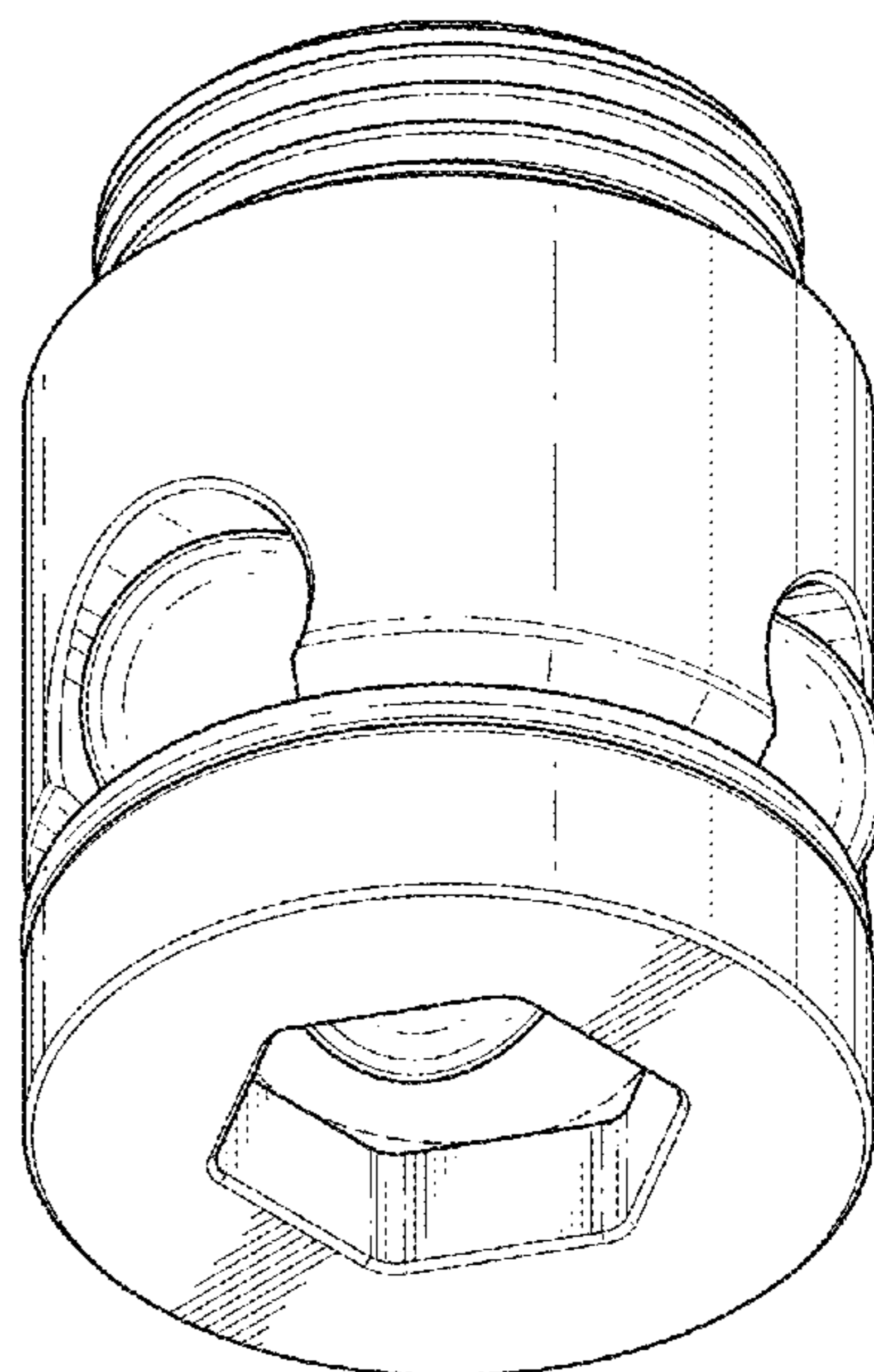
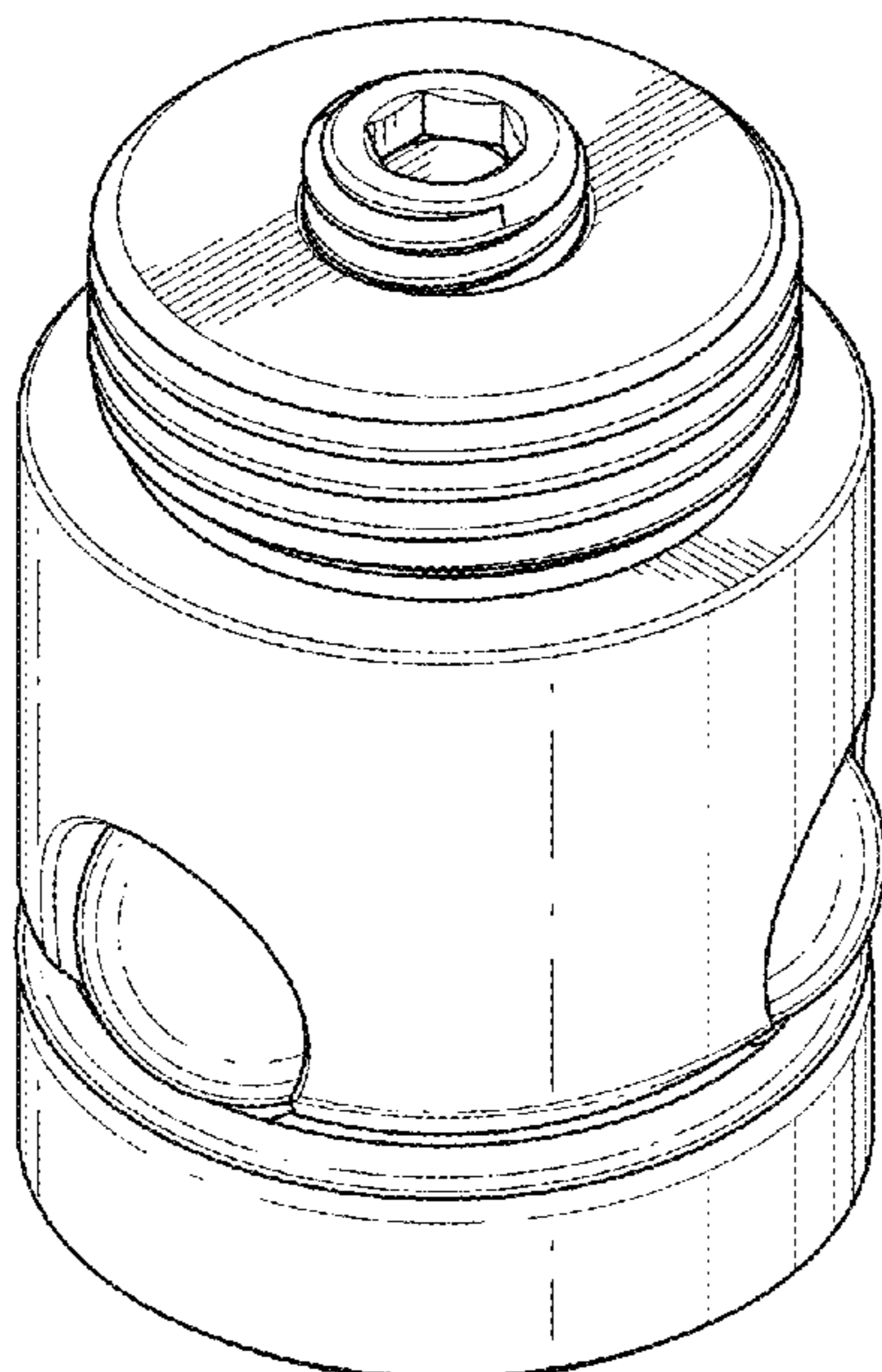
(57) **CLAIM**

The ornamental design for a quick connector, as shown and described.

DESCRIPTION

FIG. 1 shows a top isometric view of a quick connector embodying my new design;
FIG. 2 shows a bottom isometric view thereof;
FIG. 3 shows a front elevational view thereof;
FIG. 4 shows a right side elevational view thereof, the side not shown is a mirror image of the side shown;
FIG. 5 shows a rear elevational view thereof;
FIG. 6 shows a top plan view thereof; and,
FIG. 7 shows a bottom plan view thereof.
The dashed lines in the figures depict unclaimed environmental subject matter and form no part of the claimed design.

1 Claim, 2 Drawing Sheets



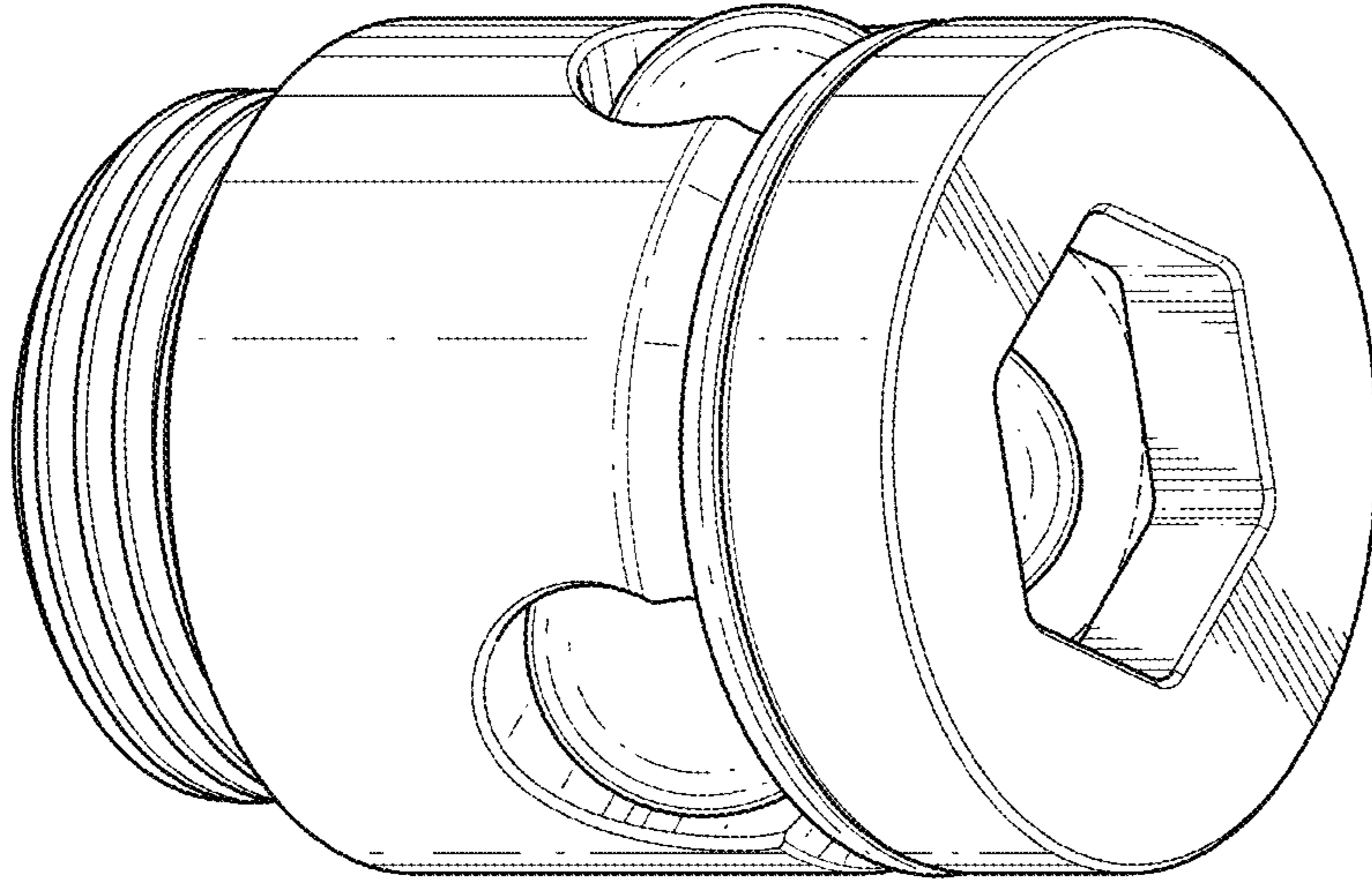


FIG. 1

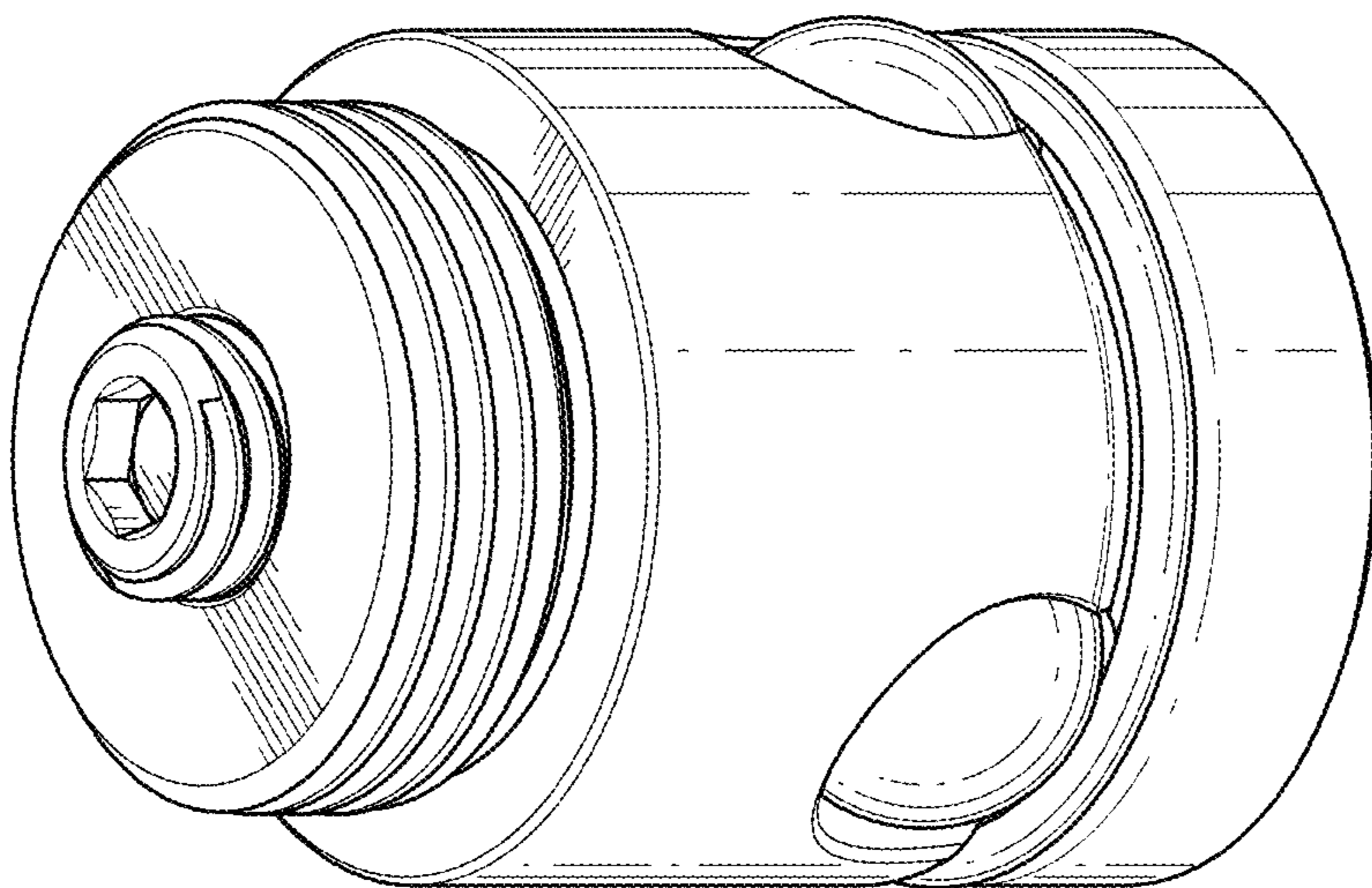


FIG. 2

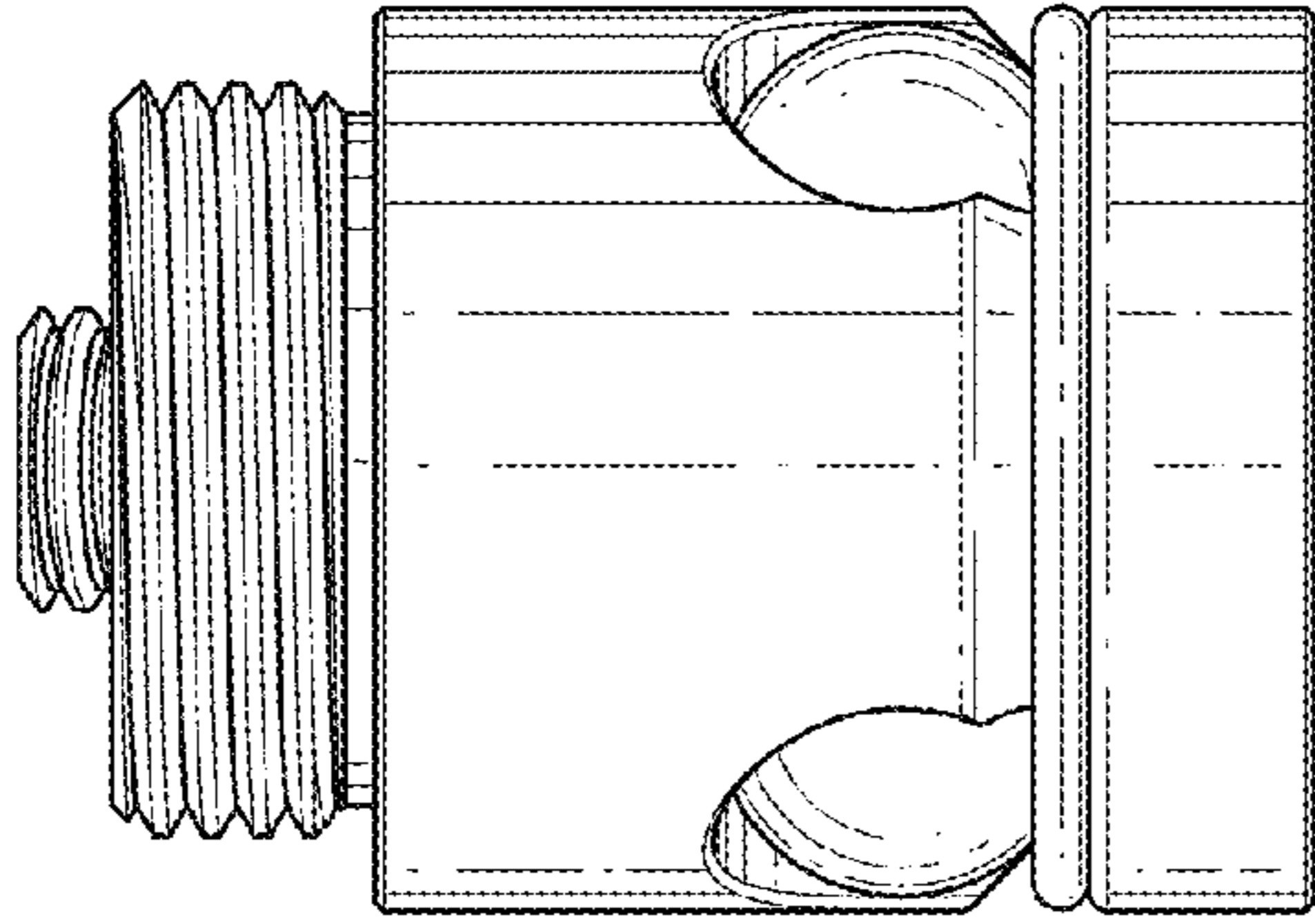


FIG. 3

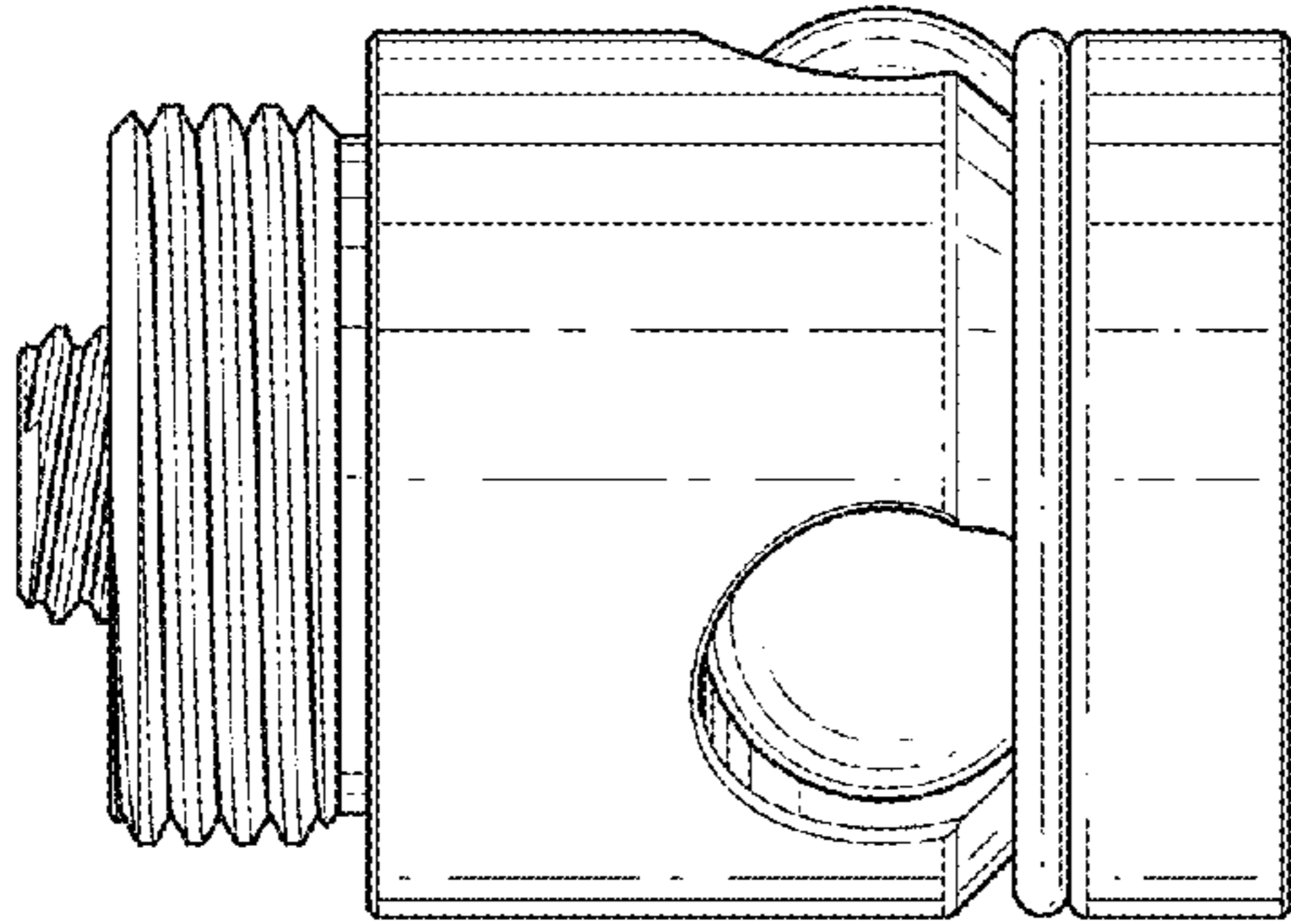


FIG. 4

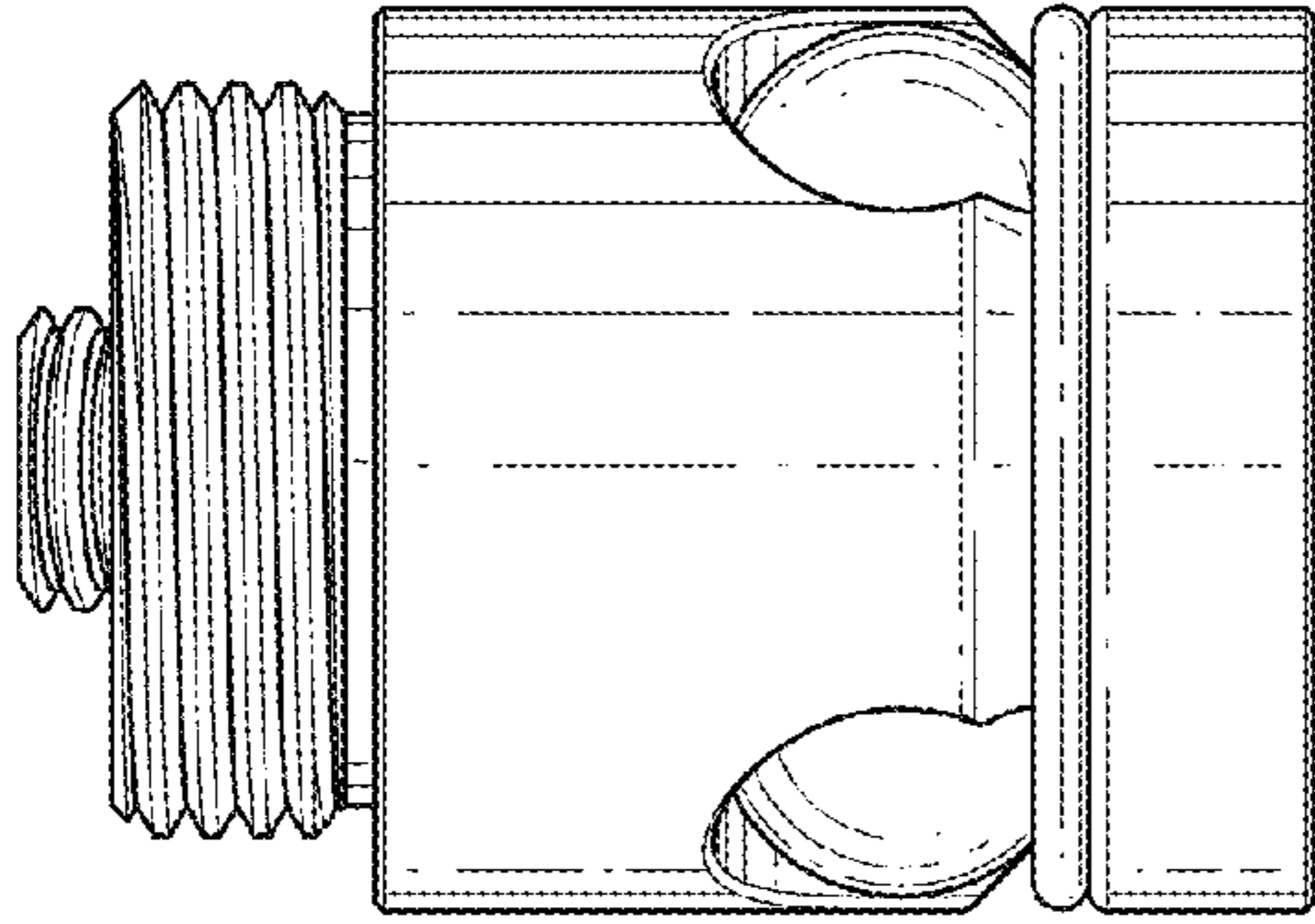


FIG. 5

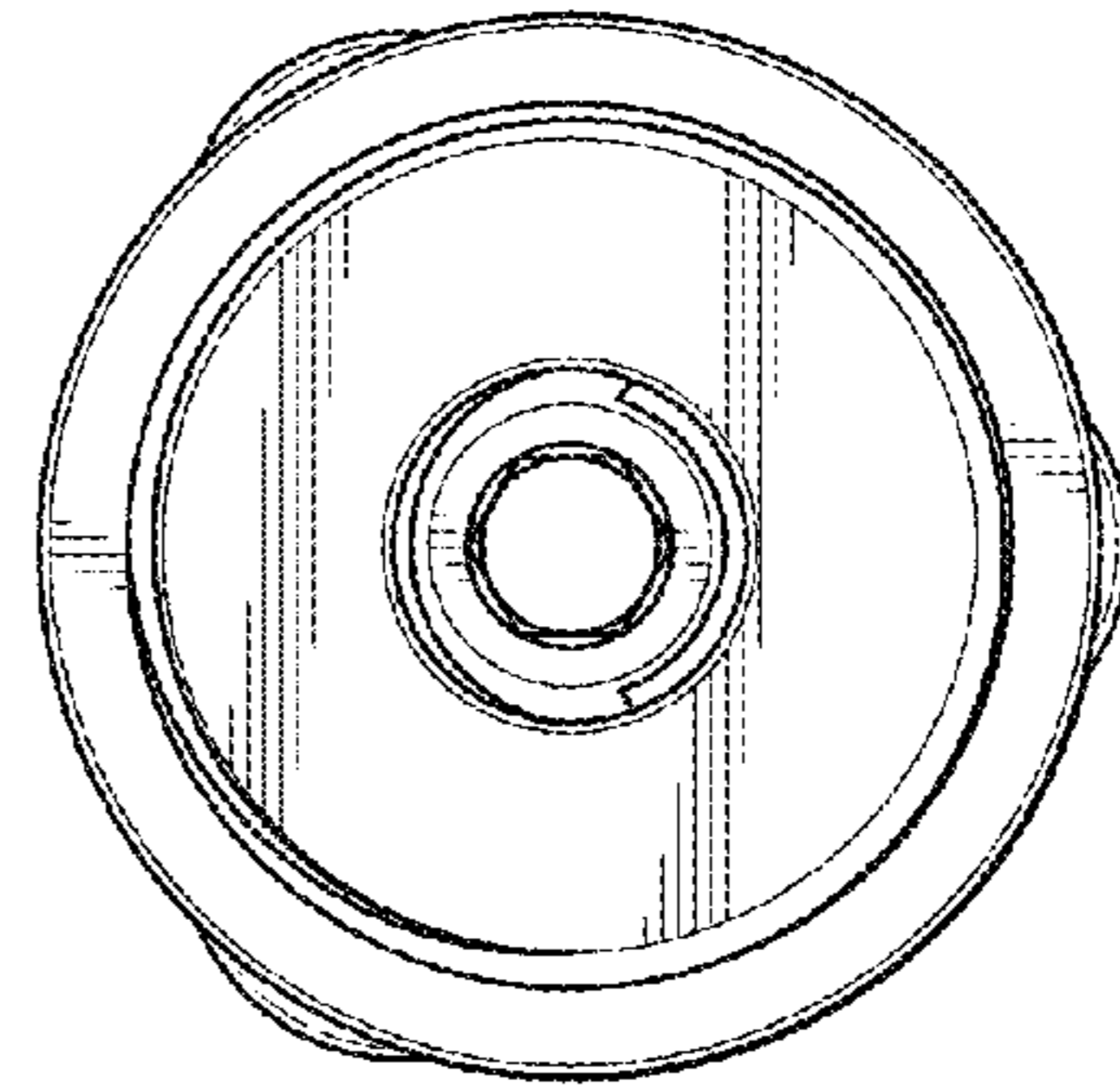


FIG. 6

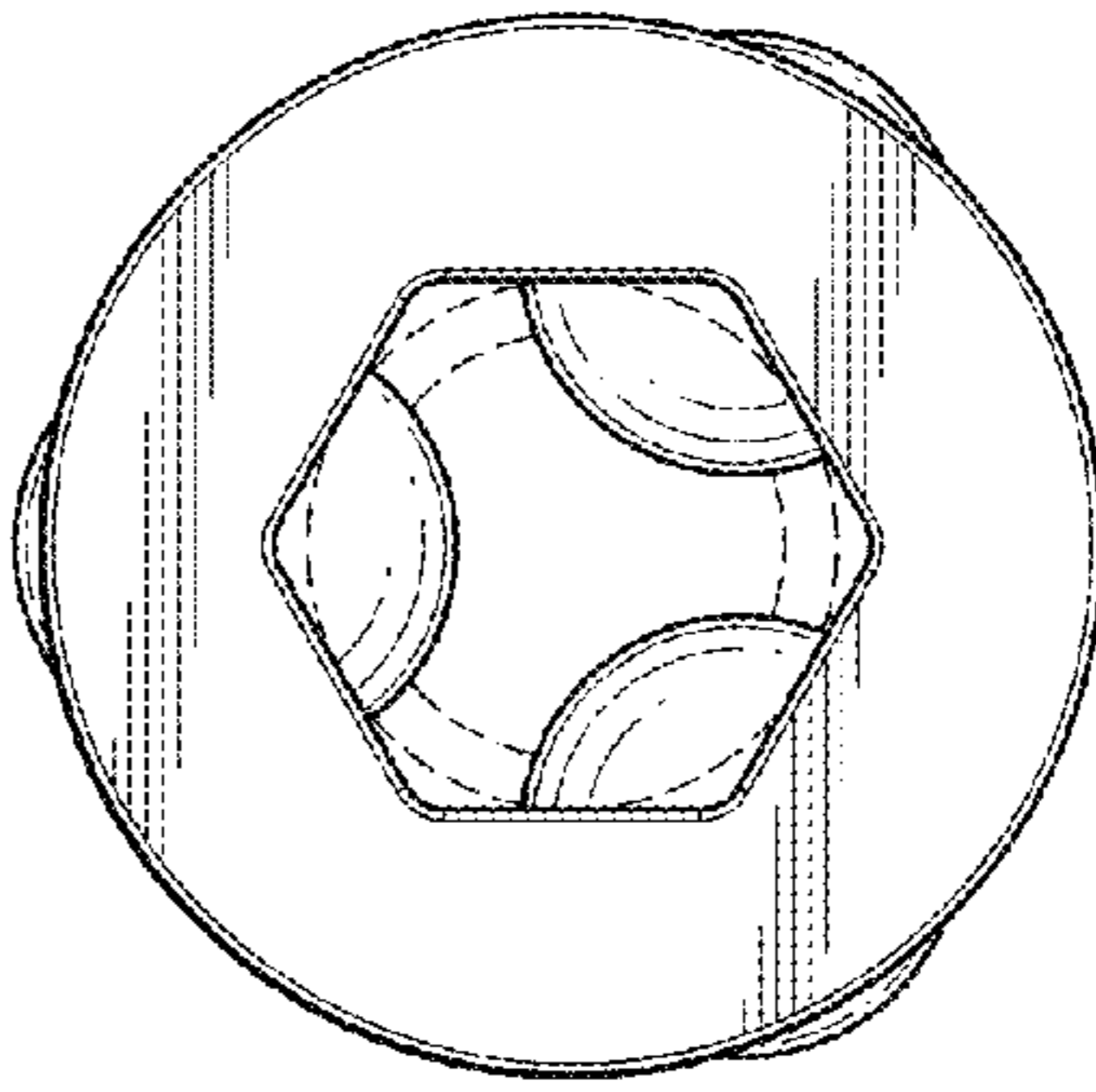


FIG. 7