



US00D721261S

(12) **United States Design Patent**  
**Yong et al.**

(10) **Patent No.:** **US D721,261 S**  
(45) **Date of Patent:** **\*\* Jan. 20, 2015**

(54) **DIGITAL COMBINATION LOCK**

(56) **References Cited**

(71) Applicants: **Ming Hua Yong**, Avon, CT (US); **Jim Hui Hong Li**, Singapore (SG); **Bi Yong Kuu**, Singapore (SG)

(72) Inventors: **Ming Hua Yong**, Avon, CT (US); **Jim Hui Hong Li**, Singapore (SG); **Bi Yong Kuu**, Singapore (SG)

(\*\*) Term: **14 Years**

(21) Appl. No.: **29/480,738**

(22) Filed: **Jan. 29, 2014**

(51) **LOC (10) Cl.** ..... **08-07**

(52) **U.S. Cl.**  
USPC ..... **D8/334**

(58) **Field of Classification Search**  
CPC ..... E05B 67/08; E05B 67/00; E05B 67/02;  
E05B 2067/00; E05B 9/00; E05B 63/00  
USPC ..... D8/330-347; 70/14, 20-28, 31, 32, 39,  
70/41, 52-56, 86, 314, 423, DIG. 43,  
70/DIG. 56, 38 A, DIG. 3, DIG. 4

See application file for complete search history.

U.S. PATENT DOCUMENTS

4,444,029	A *	4/1984	Remington	70/25
D316,955	S *	5/1991	Goida et al.	D8/334
D535,548	S *	1/2007	Lin	D8/334
7,155,944	B1 *	1/2007	Lin	70/21
D548,043	S *	8/2007	Yang	D8/334
D590,695	S *	4/2009	Wu	D8/334
7,779,657	B2 *	8/2010	Yu	70/21
D630,260	S *	1/2011	Cole et al.	D21/483
8,256,250	B2 *	9/2012	Yu	70/21
8,353,184	B2 *	1/2013	Ling et al.	70/21
D711,723	S *	8/2014	Garthe	D8/334

\* cited by examiner

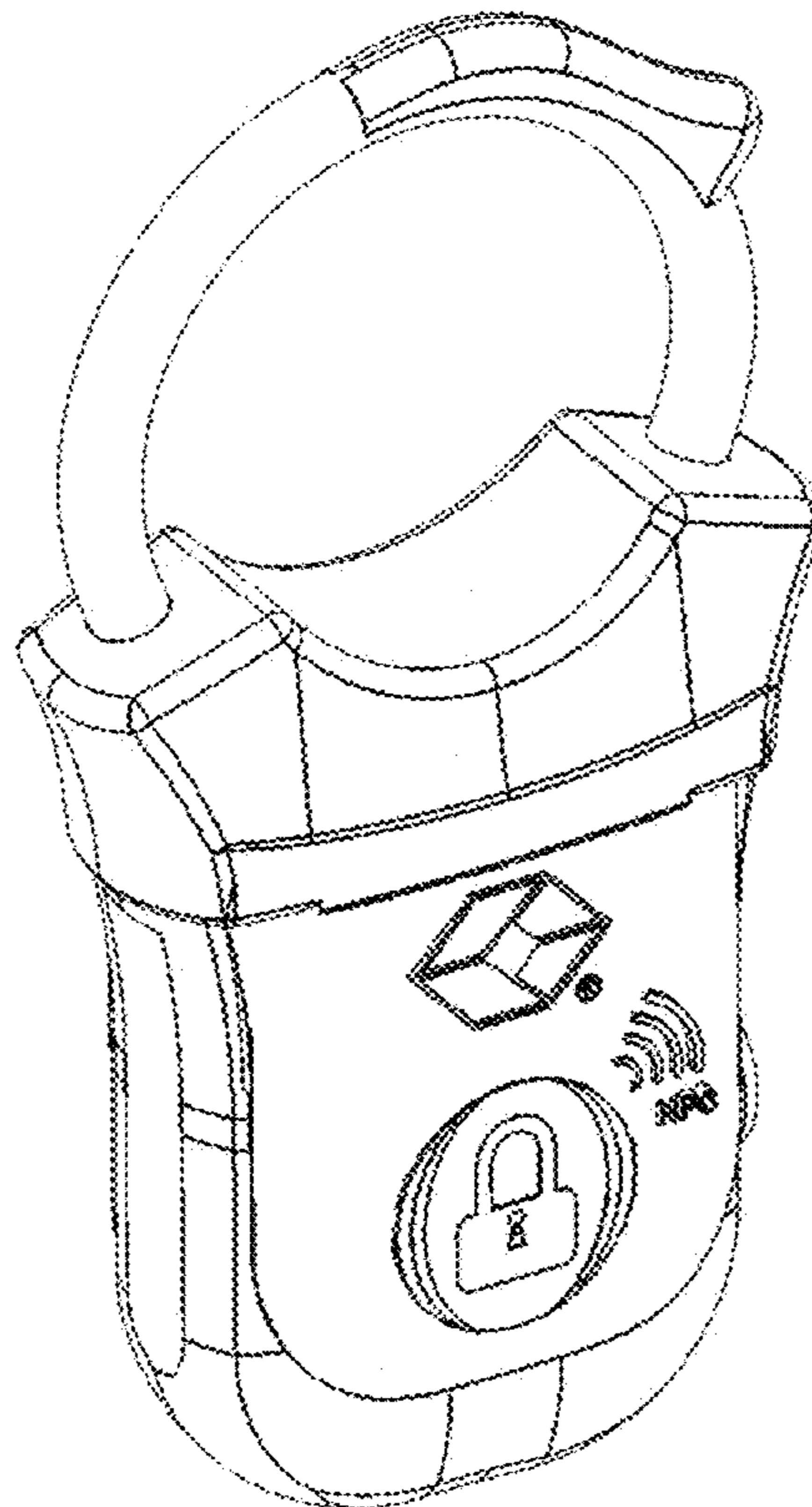
*Primary Examiner* — Prabhakar Deshmukh

(57) **CLAIM**  
The ornamental design for a digital combination lock, as shown and described.

**DESCRIPTION**

FIG. 1 is a perspective view of a digital combination lock, showing our new design,  
FIG. 2 is a top plan view thereof;  
FIG. 3 is a bottom plan view thereof;  
FIG. 4 is a side elevation view thereof;  
FIG. 5 is an opposite side elevation view thereof;  
FIG. 6 is a front elevation view thereof; and,  
FIG. 7 is a rear elevation view thereof.

**1 Claim, 7 Drawing Sheets**



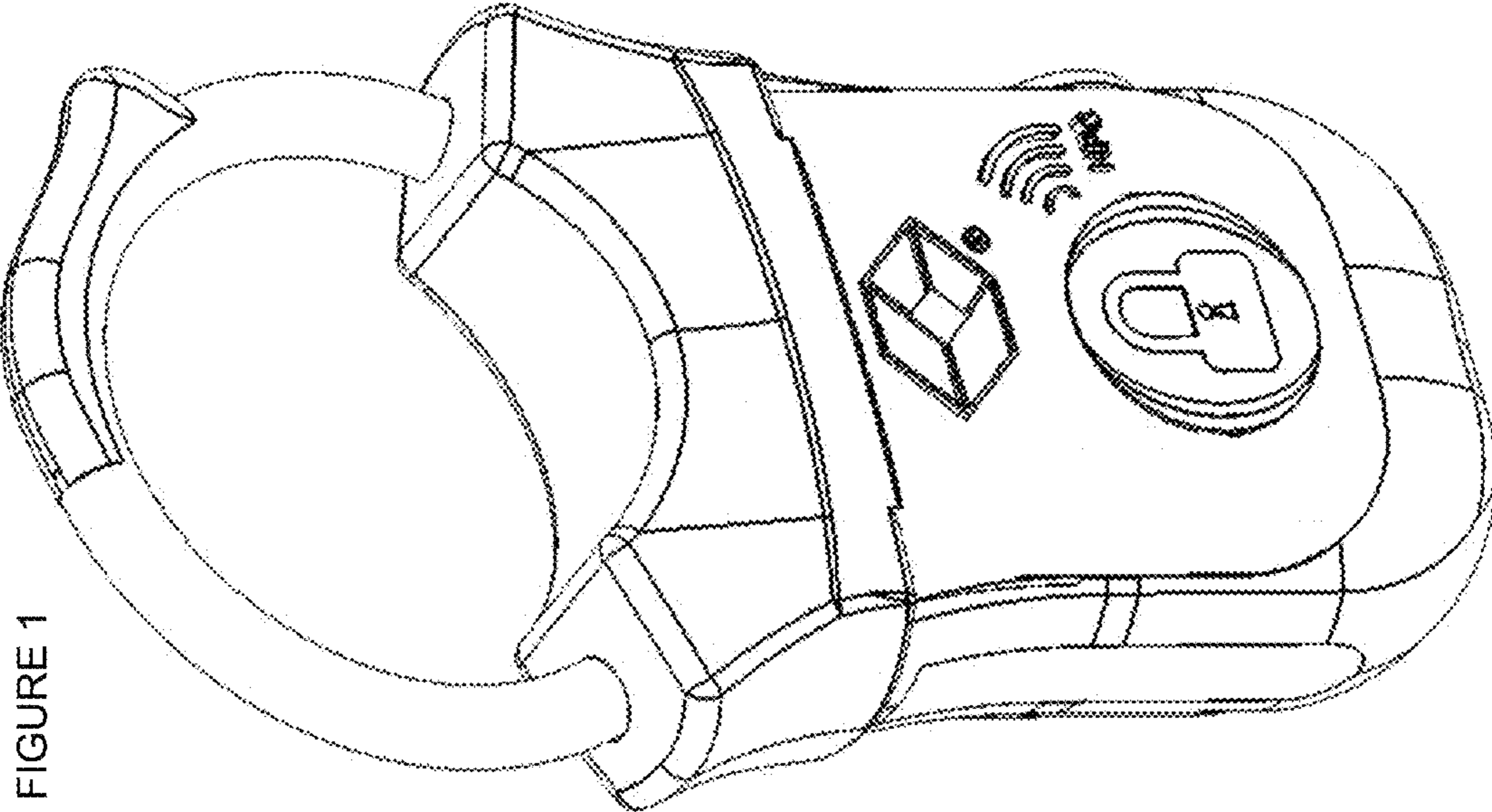


FIGURE 1

FIGURE 2

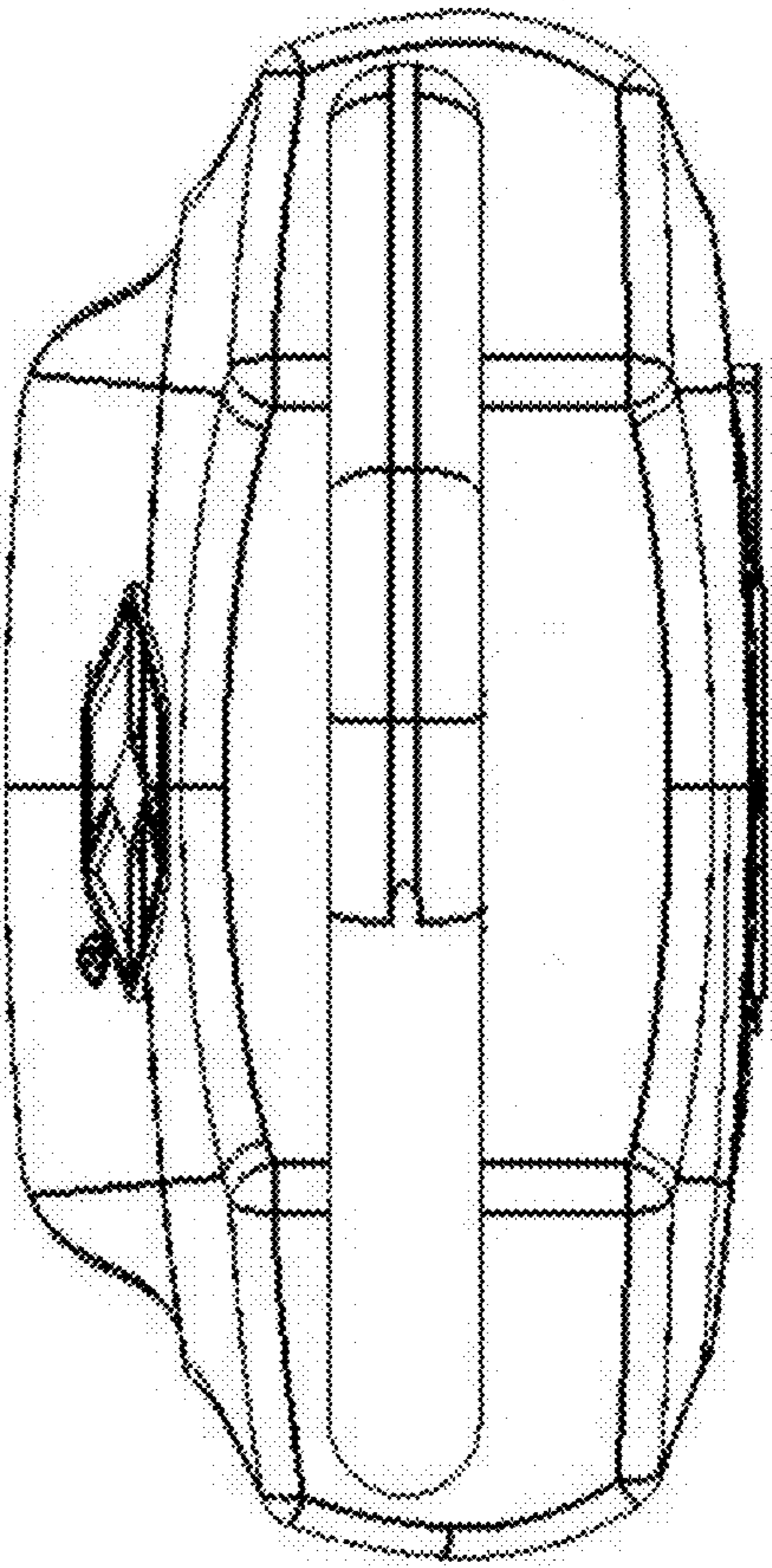
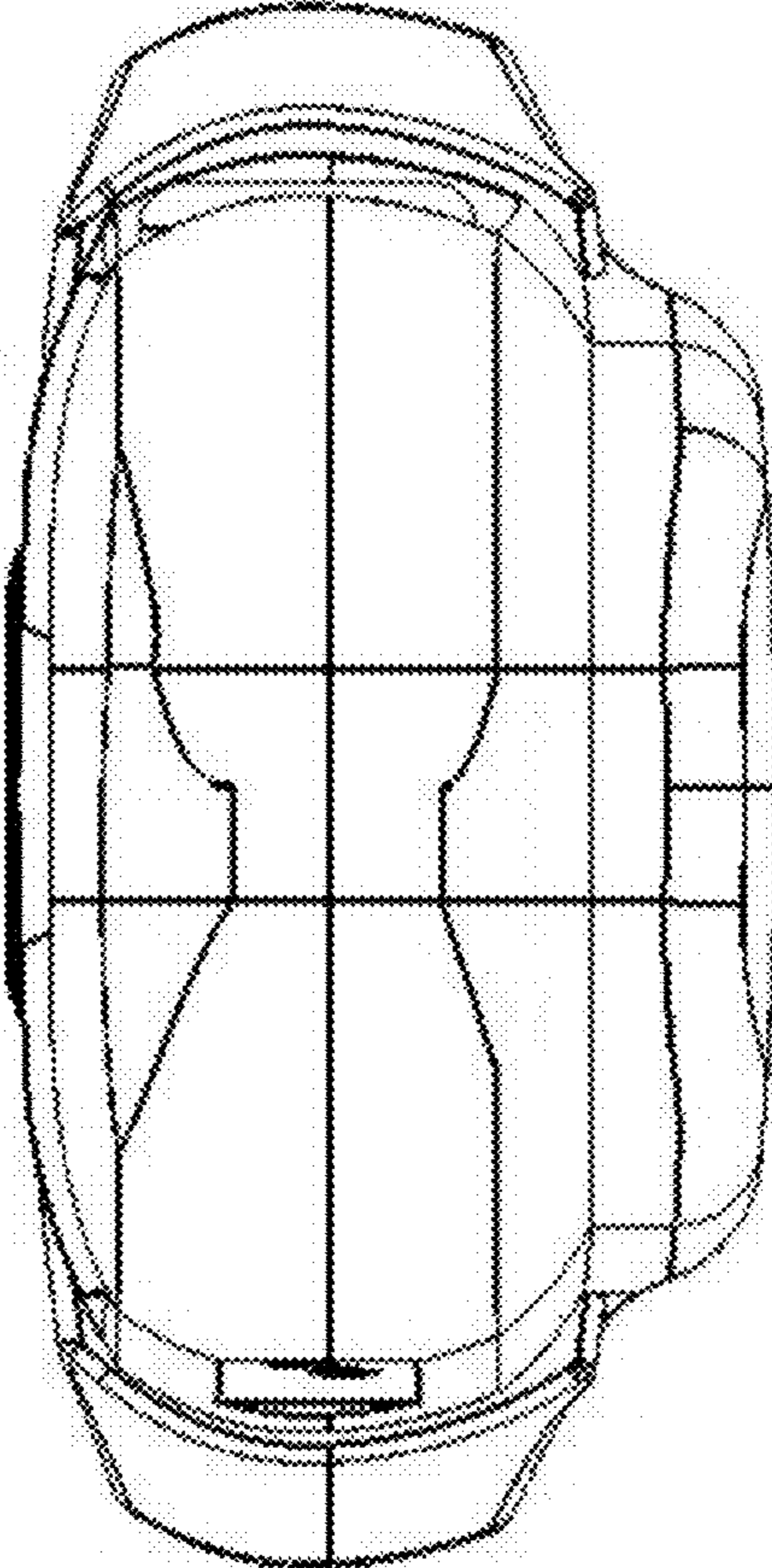


FIGURE 3



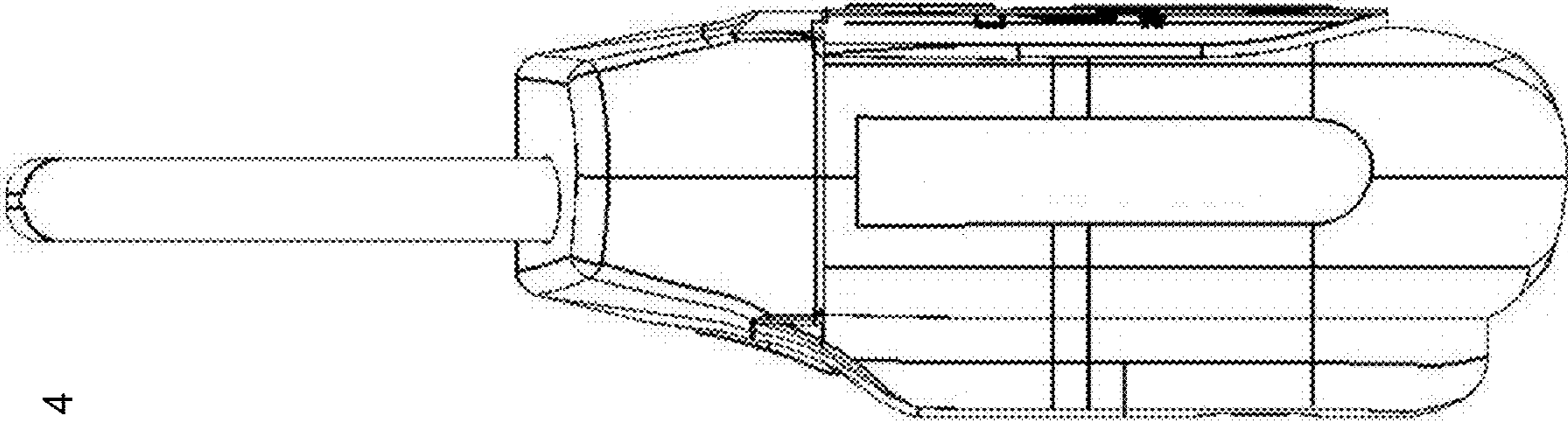


FIGURE 4

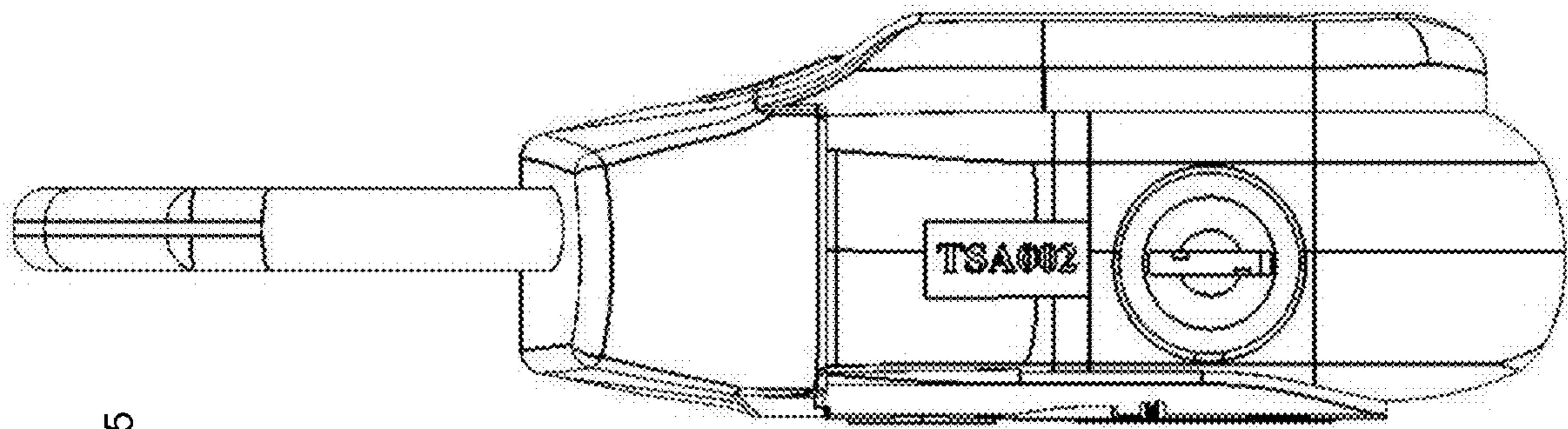


FIGURE 5

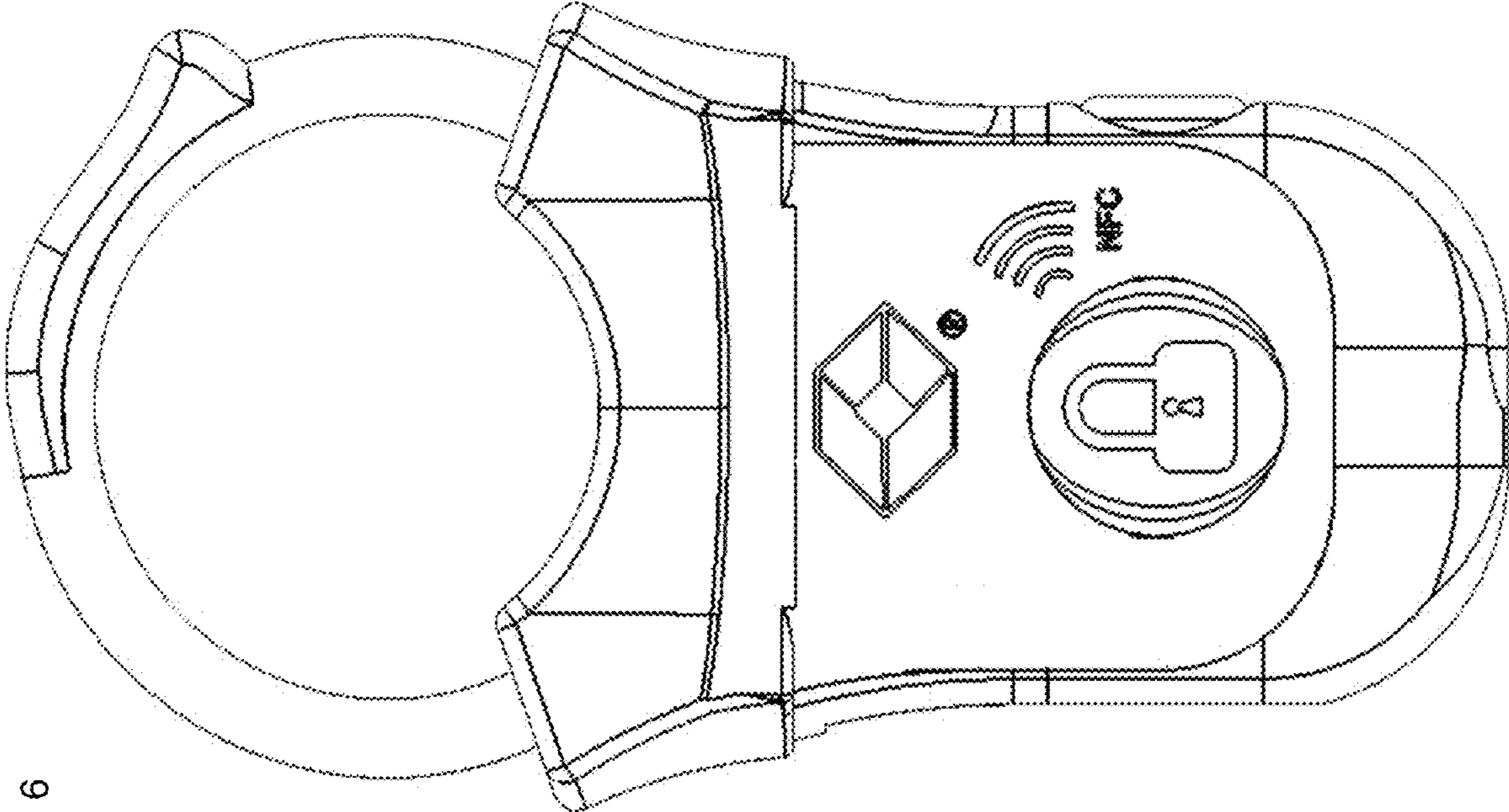


FIGURE 6

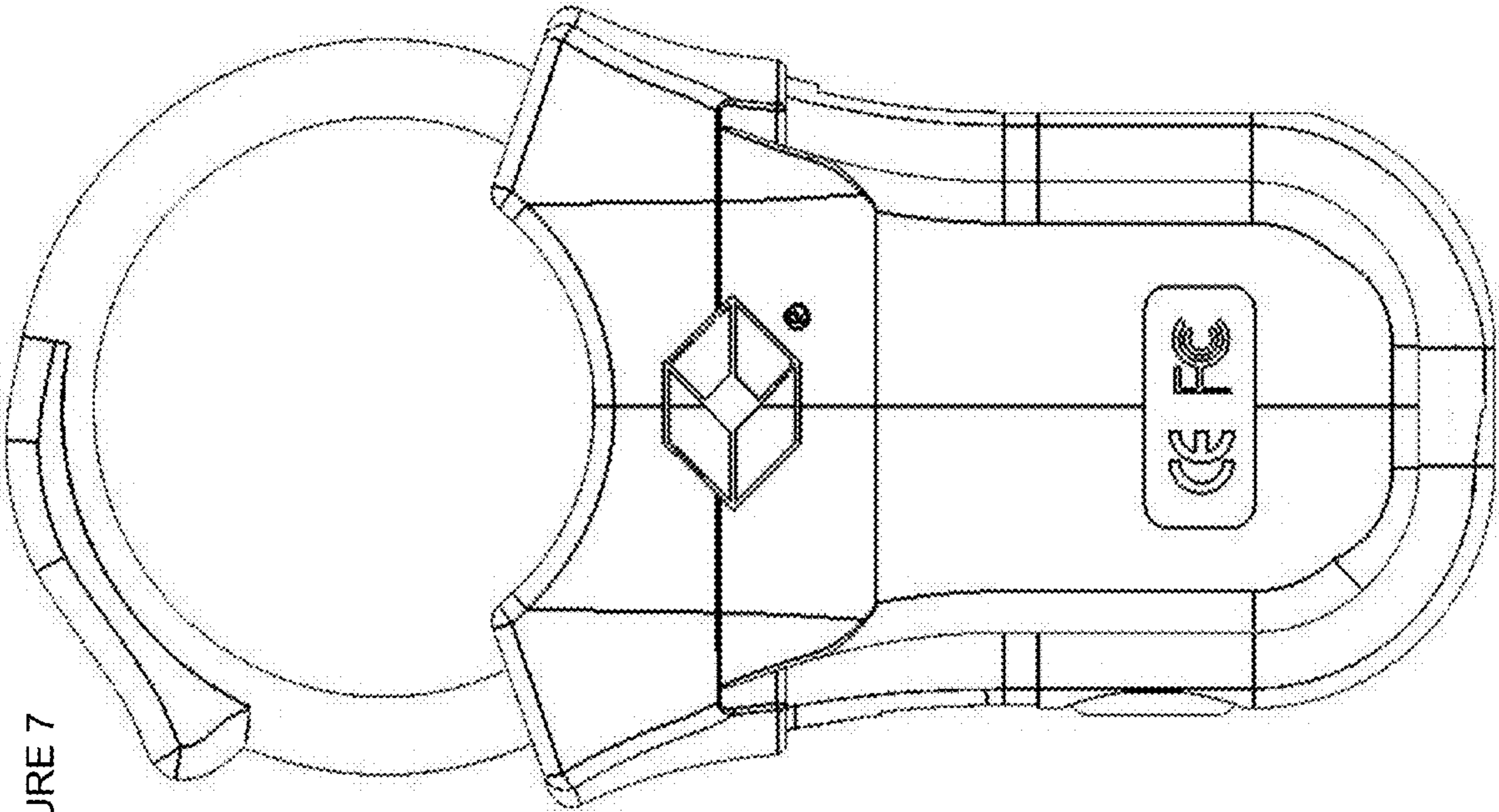


FIGURE 7