



US00D721260S

(12) **United States Design Patent**
Ramsland et al.

(10) **Patent No.:** **US D721,260 S**
(45) **Date of Patent:** **** Jan. 20, 2015**

- (54) **CABINET HANDLE**
- (71) Applicant: **Top Knobs USA, Inc.**, Hillsborough, NJ (US)
- (72) Inventors: **Warren Ramsland**, Hillsborough, NJ (US); **Christine Zimmer**, Hillsborough, NJ (US)
- (73) Assignee: **Top Knobs USA, Inc.**, Hillsborough, NJ (US)
- (**) Term: **14 Years**
- (21) Appl. No.: **29/475,146**
- (22) Filed: **Nov. 29, 2013**
- (51) **LOC (10) Cl.** **08-06**
- (52) **U.S. Cl.**
USPC **D8/316**
- (58) **Field of Classification Search**
CPC A47B 95/02
USPC D8/300, 315, 316, 317, 318, 319, D8/DIG. 1; D6/549; D7/394; 16/110.1, 16/410-419, 441, 443-445; 292/336.3, 292/347
See application file for complete search history.

(56) **References Cited**

U.S. PATENT DOCUMENTS

D206,148 S *	11/1966	Clayton	D8/319
D220,935 S *	6/1971	Tegner et al.	D8/318
D236,943 S *	9/1975	Palm, Jr.	D8/317
D297,505 S *	9/1988	Mosch	D8/317
D323,281 S *	1/1992	Young	D8/320
D326,990 S *	6/1992	Bishop	D8/315

D326,991 S *	6/1992	Bishop	D8/317
D326,993 S *	6/1992	Clayton	D8/318
D333,082 S *	2/1993	Bocade et al.	D8/317
D343,108 S *	1/1994	Fulton	D8/315
D356,485 S *	3/1995	Off	D8/317
D377,445 S *	1/1997	Caugh et al.	D8/317
D388,272 S *	12/1997	Moore	D6/549
D418,389 S *	1/2000	O'Neil	D8/317
D447,927 S *	9/2001	LaPlume et al.	D8/302
D450,999 S *	11/2001	Dewald et al.	D8/317
D520,858 S *	5/2006	Miller	D8/315
D522,841 S *	6/2006	Hanna et al.	D8/315
D543,436 S *	5/2007	Ricereto	D8/316
D562,107 S *	2/2008	Tor Verges	D8/316
D598,270 S *	8/2009	Hanes	D8/317
D605,924 S *	12/2009	Hanes	D8/317
D629,667 S *	12/2010	Koskela	D8/315
D661,970 S *	6/2012	Han	D8/316
D661,972 S *	6/2012	Han	D8/316

* cited by examiner

Primary Examiner — Paula Greene

(74) *Attorney, Agent, or Firm* — Schultz & Associates, P.C.

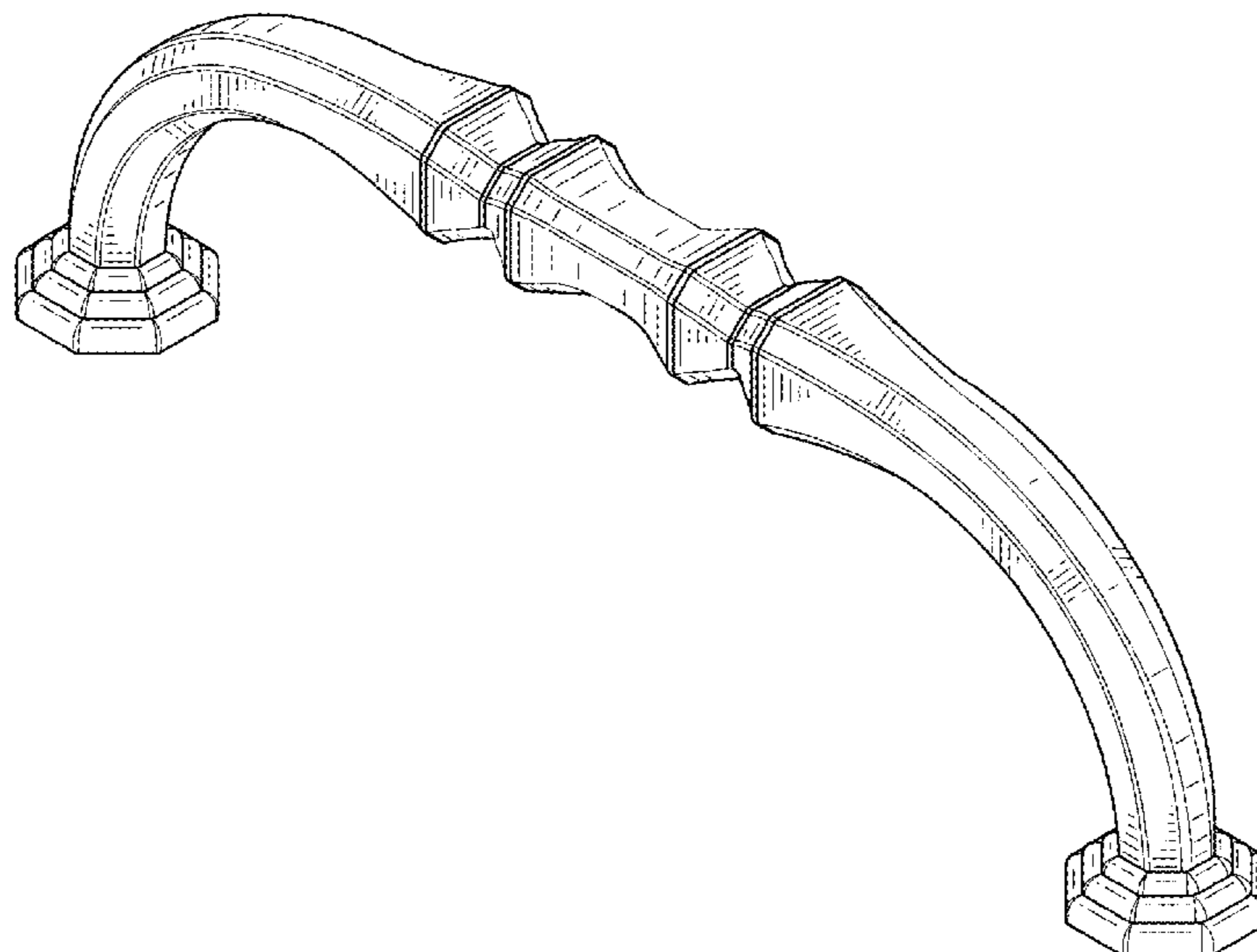
(57) **CLAIM**

The ornamental design for a cabinet handle, as shown and described.

DESCRIPTION

FIG. 1 is a perspective view of a cabinet handle showing my new design;
 FIG. 2 is a side elevation view thereof;
 FIG. 3 is a side elevation view thereof;
 FIG. 4 is a top plan view thereof; and,
 FIG. 5 is a bottom plan view thereof.
 The broken lines shown represent unclaimed subject matter and form no part of the claimed design.

1 Claim, 2 Drawing Sheets



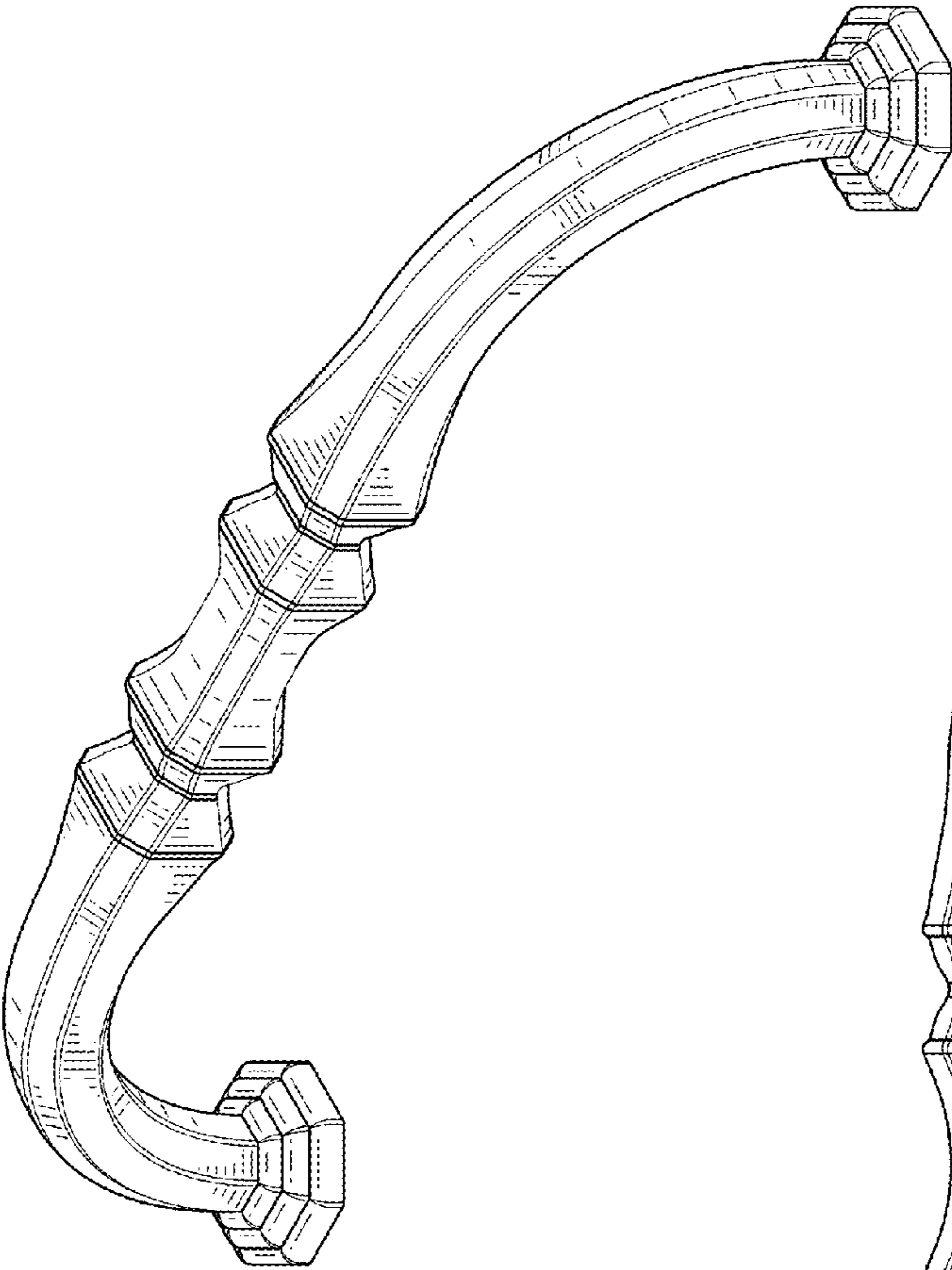


FIG. 1

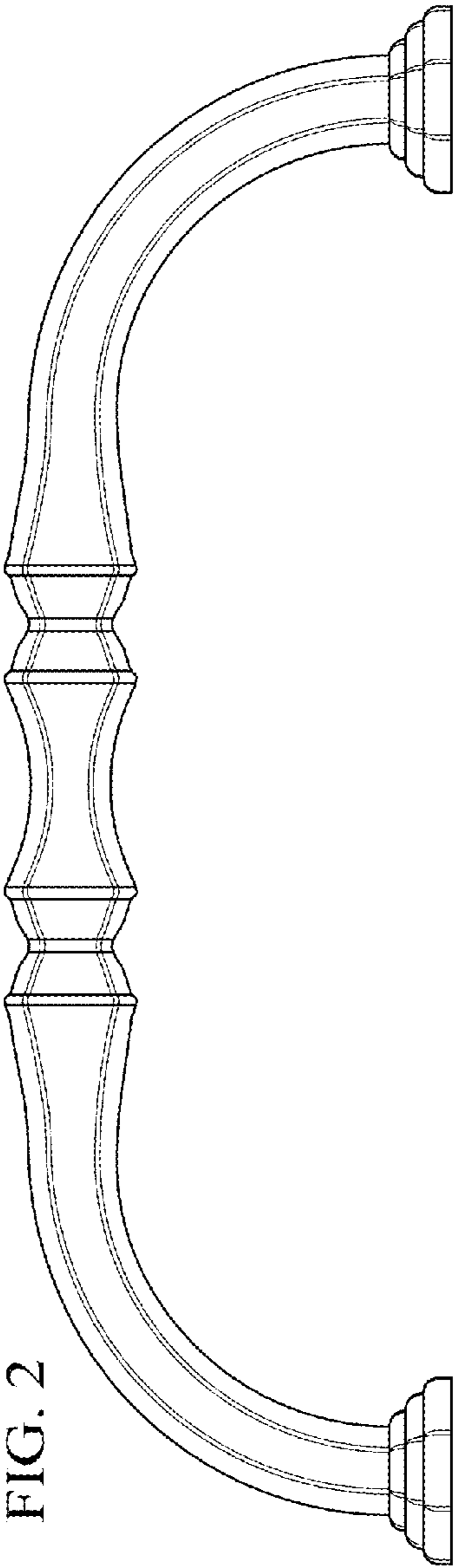


FIG. 2

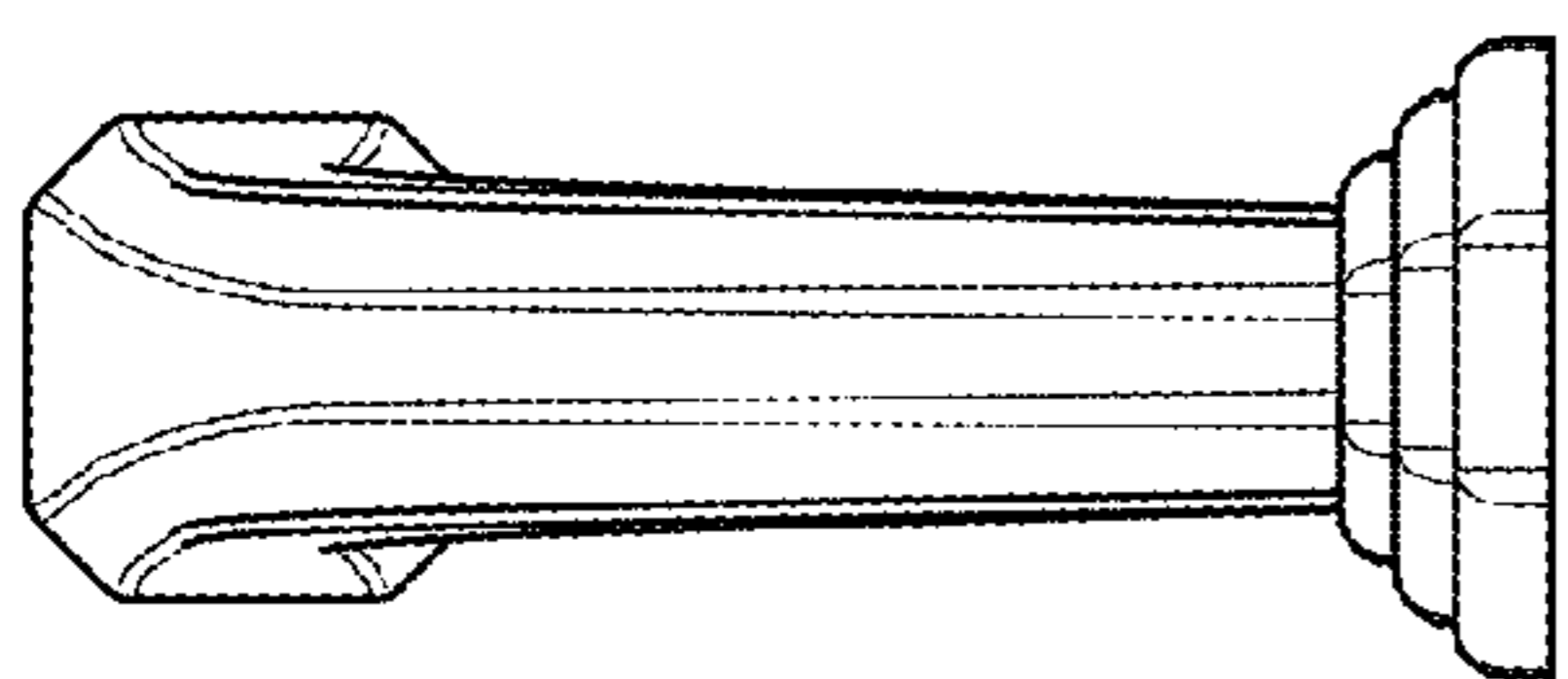


FIG. 3

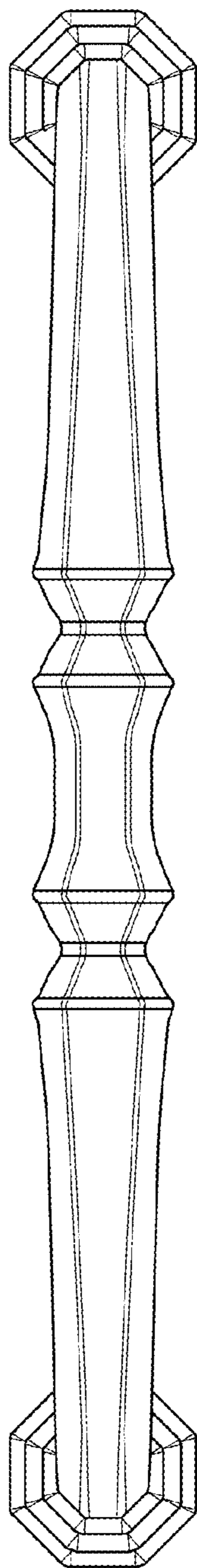


FIG. 4

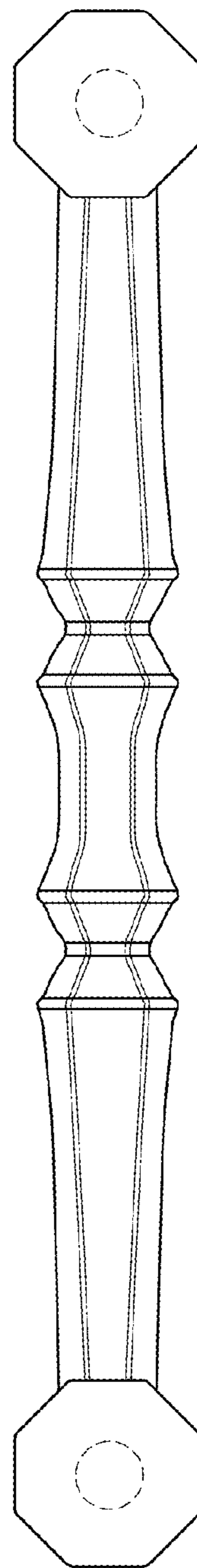


FIG. 5