



US00D721259S

(12) **United States Design Patent**  
**Ramsland et al.**

(10) **Patent No.:** **US D721,259 S**  
(45) **Date of Patent:** **\*\* Jan. 20, 2015**

- (54) **CABINET HANDLE**
- (71) Applicant: **Top Knobs USA, Inc.**, Hillsborough, NJ (US)
- (72) Inventors: **Warren Ramsland**, Hillsborough, NJ (US); **Christine Zimmer**, Hillsborough, NJ (US)
- (73) Assignee: **Top Knobs USA, Inc.**, Hillsborough, NJ (US)
- (\*\*) Term: **14 Years**
- (21) Appl. No.: **29/475,142**
- (22) Filed: **Nov. 29, 2013**
- (51) **LOC (10) Cl.** ..... **08-06**
- (52) **U.S. Cl.**  
USPC ..... **D8/316**
- (58) **Field of Classification Search**  
CPC ..... A47B 95/02  
USPC ..... D8/300, 315, 316, 317, 318, 319, D8/DIG. 1; D6/549; D7/394; 16/410-419, 16/441, 443-445, 110.1; 292/336.3, 347  
See application file for complete search history.

D380,956 S *	7/1997	Collins	.....	D8/316
D381,252 S *	7/1997	Chieda	.....	D8/317
5,690,237 A *	11/1997	Marzec	.....	211/105.1
D388,272 S *	12/1997	Moore	.....	D6/549
D418,803 S *	1/2000	Klimenko	.....	D12/316
D424,402 S *	5/2000	Caugh et al.	.....	D8/317
D432,896 S *	10/2000	Lee	.....	D8/317
D450,999 S *	11/2001	Dewald et al.	.....	D8/317
D468,145 S *	1/2003	Ouyoung	.....	D6/549
D471,074 S *	3/2003	Fields	.....	D8/315
D520,858 S *	5/2006	Miller	.....	D8/315
D542,119 S *	5/2007	Ricereto	.....	D8/317
D550,536 S *	9/2007	Ricereto	.....	D8/316
D563,759 S *	3/2008	Oliver et al.	.....	D8/316
D563,762 S *	3/2008	Spencer, Jr.	.....	D8/316
D564,334 S *	3/2008	Lee	.....	D8/316
D573,868 S *	7/2008	Ricereto	.....	D8/315
D574,218 S *	8/2008	Jou	.....	D8/317
D605,924 S *	12/2009	Hanes	.....	D8/317
D611,323 S *	3/2010	Koskela	.....	D8/316
D647,383 S *	10/2011	Bishop et al.	.....	D8/317

\* cited by examiner

Primary Examiner — Paula Greene

(74) *Attorney, Agent, or Firm* — Schultz & Associates, P.C.

(57) **CLAIM**

The ornamental design for a cabinet handle, as shown and described.

**DESCRIPTION**

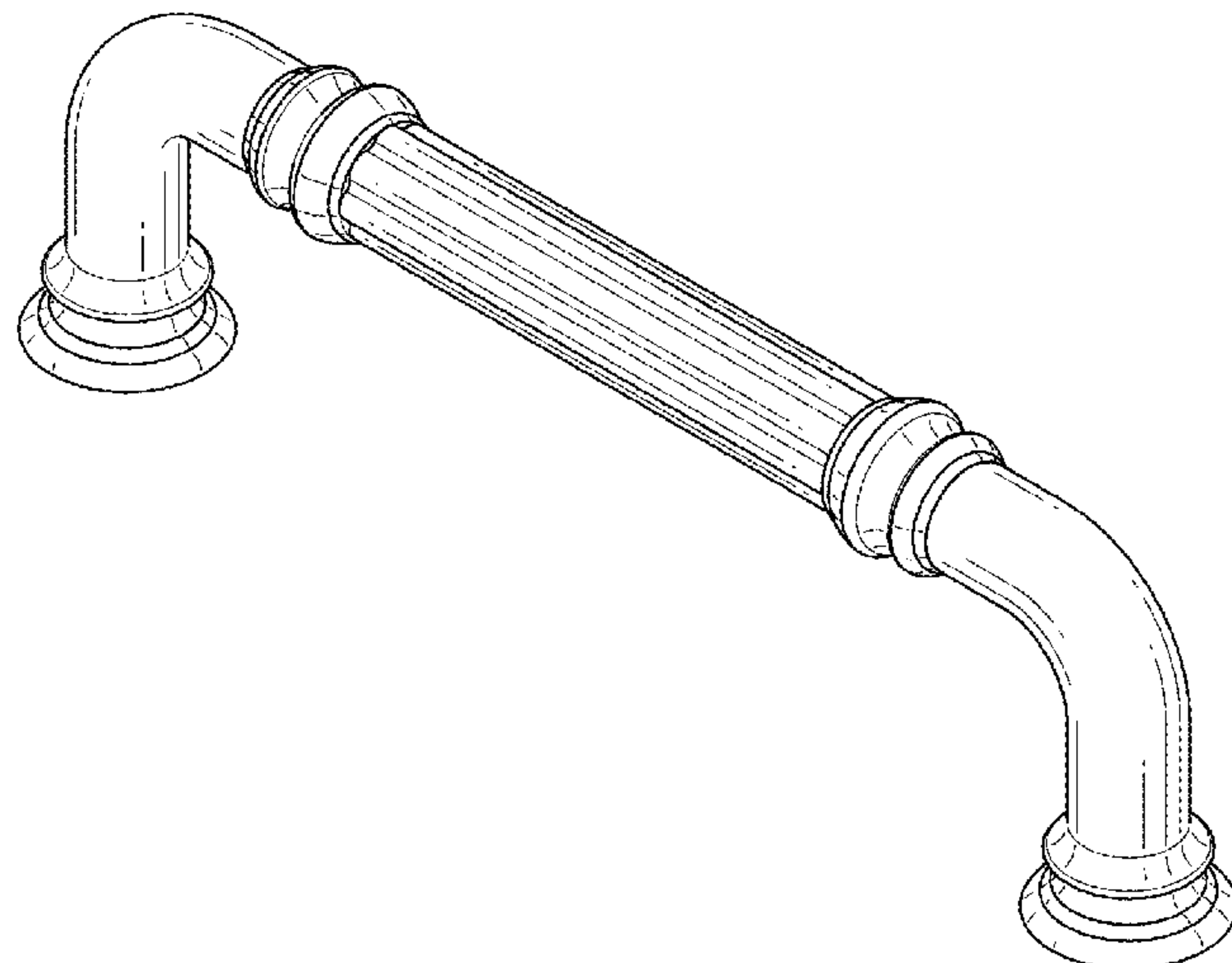
FIG. 1 is a perspective view of a cabinet handle showing my new design;  
 FIG. 2 is a side elevation view thereof;  
 FIG. 3 is a side elevation view thereof;  
 FIG. 4 is a top plan view thereof; and,  
 FIG. 5 is a bottom plan view thereof.  
 The broken lines shown represent unclaimed subject matter and form no part of the claimed design.

**1 Claim, 2 Drawing Sheets**

(56) **References Cited**

U.S. PATENT DOCUMENTS

1,972,282 A *	9/1934	Wittstein	.....	211/123
D125,452 S *	2/1941	Marsheck et al.	.....	D8/318
D199,839 S *	12/1964	Simpson	.....	D8/316
D299,110 S *	12/1988	Jans	.....	D8/316
D326,991 S *	6/1992	Bishop	.....	D8/317
D355,839 S *	2/1995	Chieda	.....	D8/317
D362,609 S *	9/1995	Ellis et al.	.....	D8/302
D373,067 S *	8/1996	De'Armond	.....	D8/317
D375,886 S *	11/1996	Mattson et al.	.....	D8/301



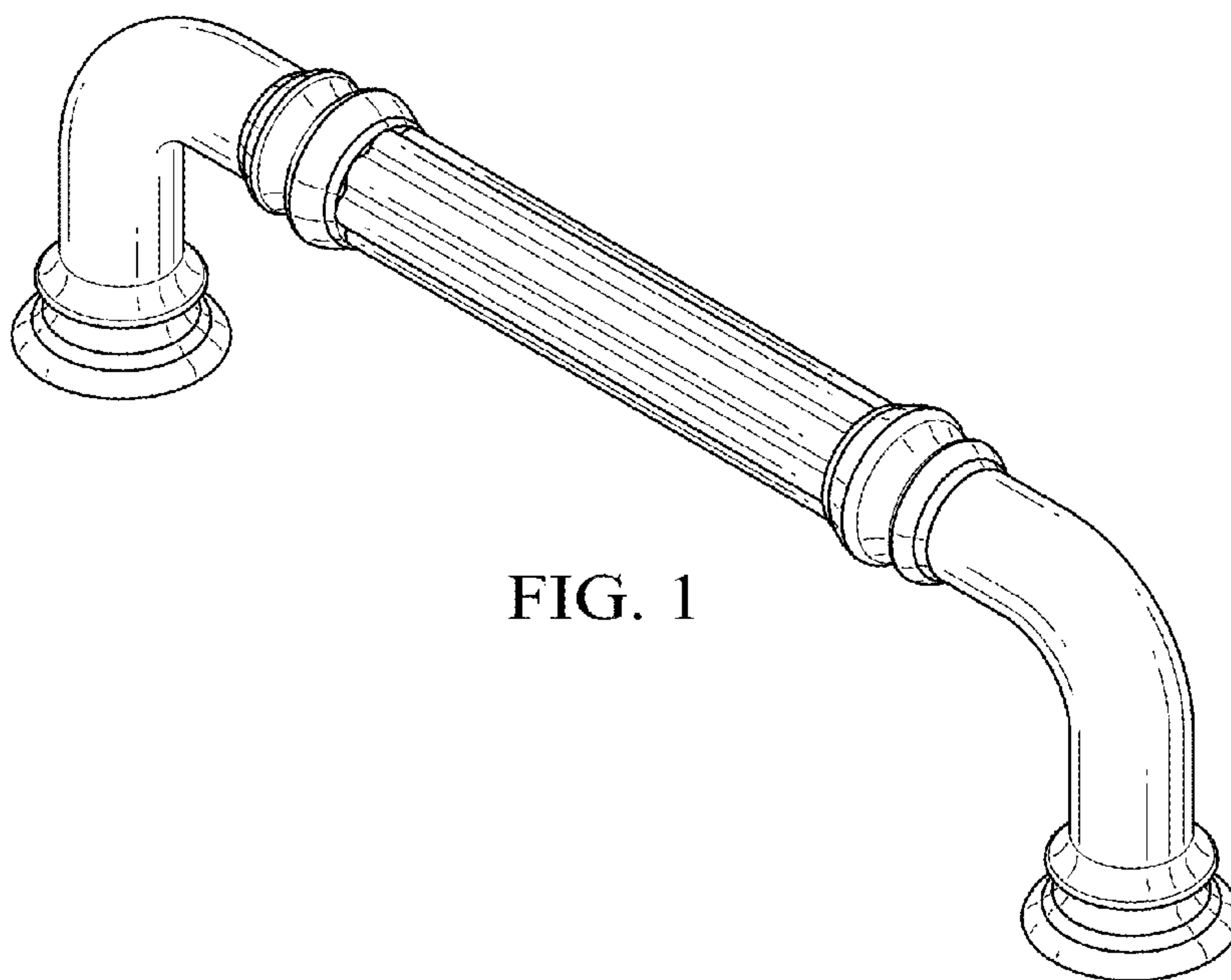


FIG. 1

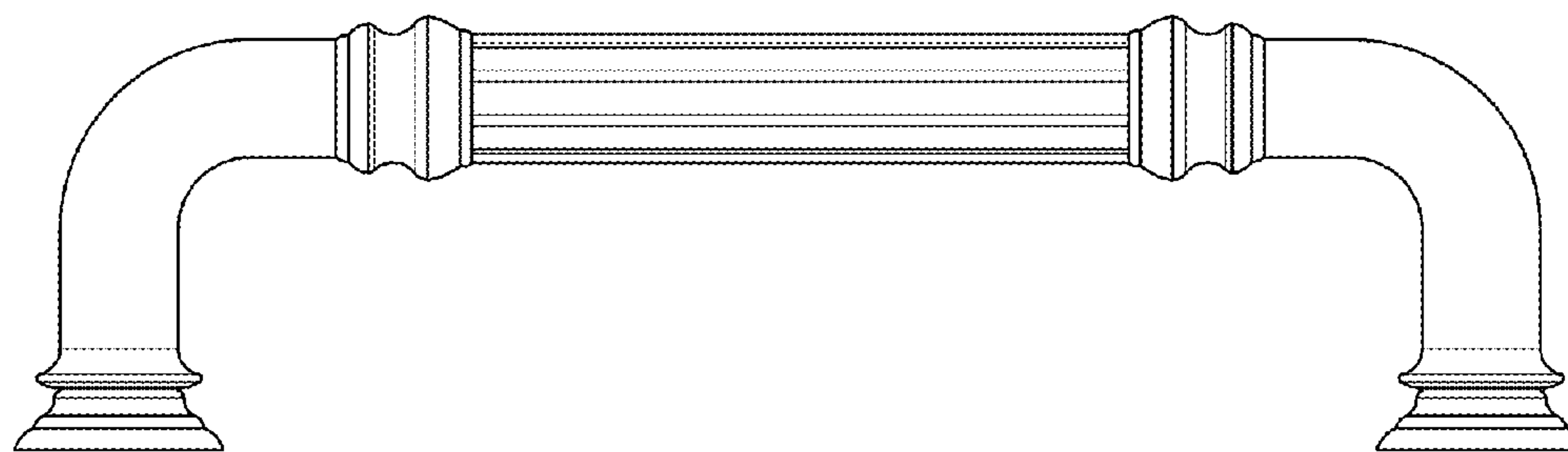


FIG. 2

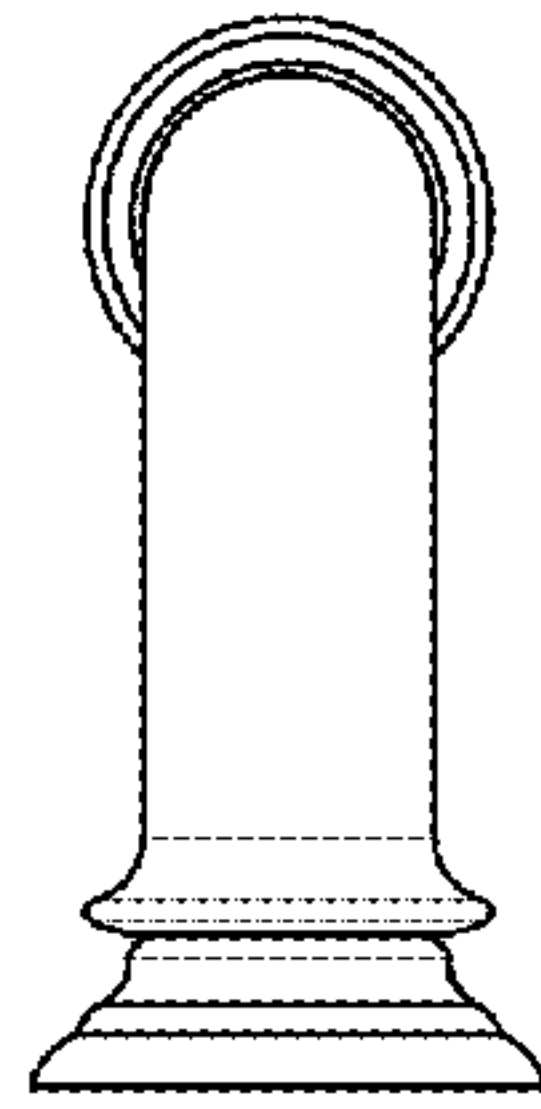


FIG. 3

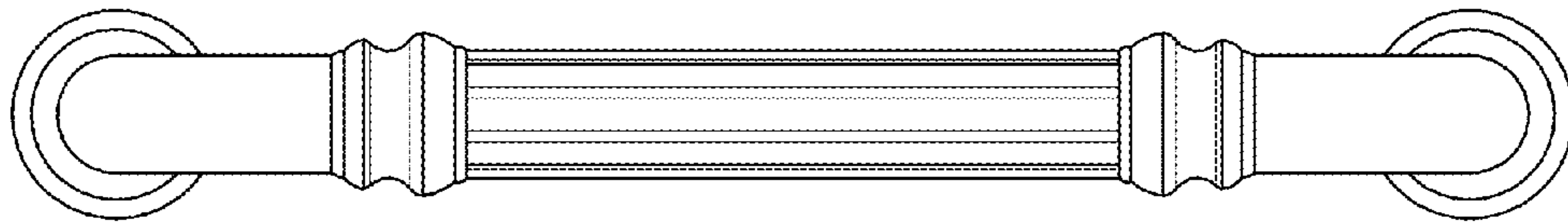


FIG. 4

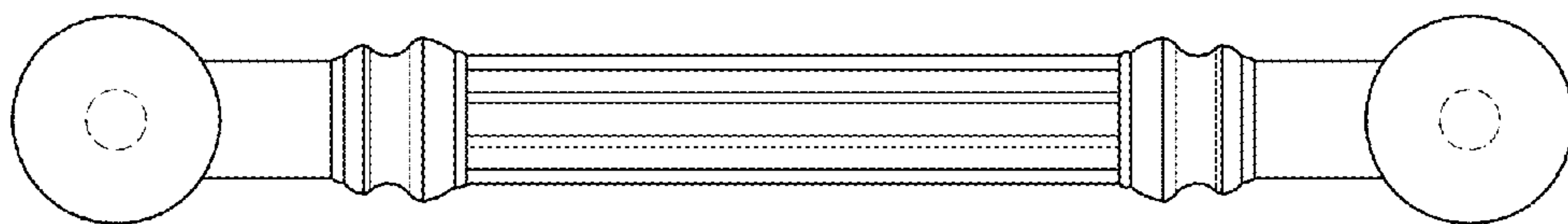


FIG. 5