



US00D721257S

(12) **United States Design Patent**  
**Burge et al.**

(10) **Patent No.:** **US D721,257 S**  
(45) **Date of Patent:** **\*\* Jan. 20, 2015**

- (54) **BOTTLE OPENER**
- (71) Applicant: **Fiskars Brands, Inc.**, Madison, WI (US)
- (72) Inventors: **Joe Burge**, Milwaukee, WI (US);  
**Andrew P. Block**, Madison, WI (US)
- (73) Assignee: **Fiskars Brands, Inc.**, Madison, WI (US)
- (\*\*) Term: **14 Years**
- (21) Appl. No.: **29/488,171**
- (22) Filed: **Apr. 16, 2014**
- (51) **LOC (10) Cl.** ..... **07-99**
- (52) **U.S. Cl.**  
USPC ..... **D8/33**
- (58) **Field of Classification Search**  
USPC ..... D8/14, 16, 18, 19, 33-43, 88, 89, 105,  
D8/107; 7/112, 113, 151-156; 81/3.07,  
81/3.09, 3.2, 3.27, 3.29, 3.31, 3.35, 3.37,  
81/3.4, 3.48, 3.49, 3.55  
See application file for complete search history.

7,024,715	B2 *	4/2006	Hefti et al. ....	7/156
D521,828	S *	5/2006	Overthun et al. ....	D8/42
7,340,979	B2 *	3/2008	Sawyer .....	81/3.4
D572,988	S *	7/2008	Jalet .....	D8/42
D594,302	S *	6/2009	Mah et al. ....	D8/40
D609,988	S *	2/2010	Eide et al. ....	D8/42
D618,527	S *	6/2010	Deguglimo et al. ....	D8/29
D657,646	S *	4/2012	Schoch et al. ....	D8/61

\* cited by examiner

*Primary Examiner* — Elizabeth Albert

(74) *Attorney, Agent, or Firm* — Foley & Lardner LLP

(57) **CLAIM**

We claim the ornamental design for a bottle opener, as shown and described.

**DESCRIPTION**

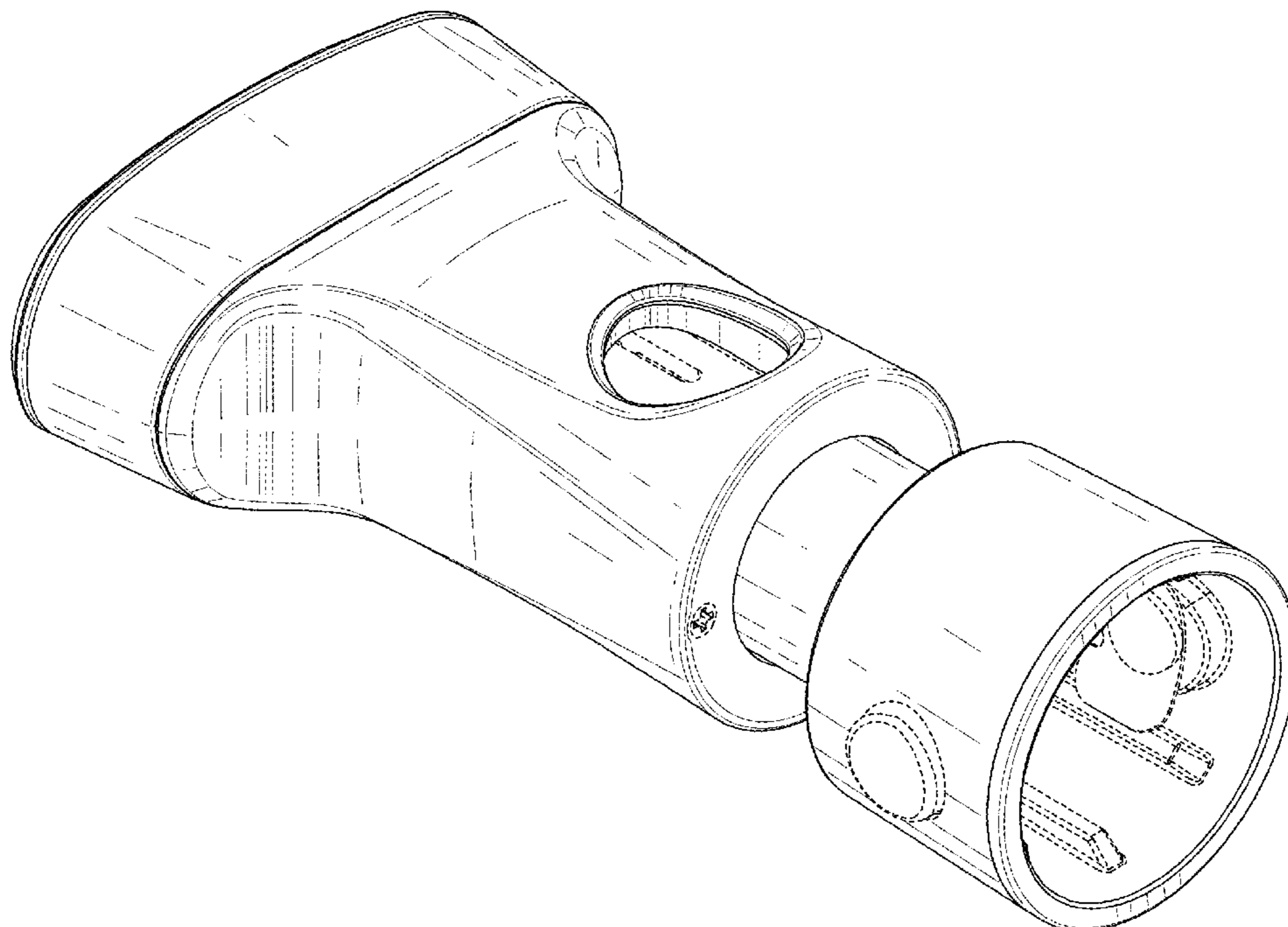
FIG. 1 is an isometric view of a bottle opener showing our new design;  
 FIG. 2 is a front elevational view thereof;  
 FIG. 3 is a rear elevational view thereof;  
 FIG. 4 is a right side elevational view thereof;  
 FIG. 5 is a left side elevational view thereof;  
 FIG. 6 is a top plan view thereof; and,  
 FIG. 7 is a bottom plan view thereof.  
 The portions of the drawings in broken lines are included for the purpose of showing features that form no part of the claimed design.

**1 Claim, 7 Drawing Sheets**

(56) **References Cited**

U.S. PATENT DOCUMENTS

5,421,223	A *	6/1995	Wawrzyniak .....	81/121.1
D421,701	S *	3/2000	Hollinger .....	D8/42
D452,802	S *	1/2002	Peabody .....	D8/33



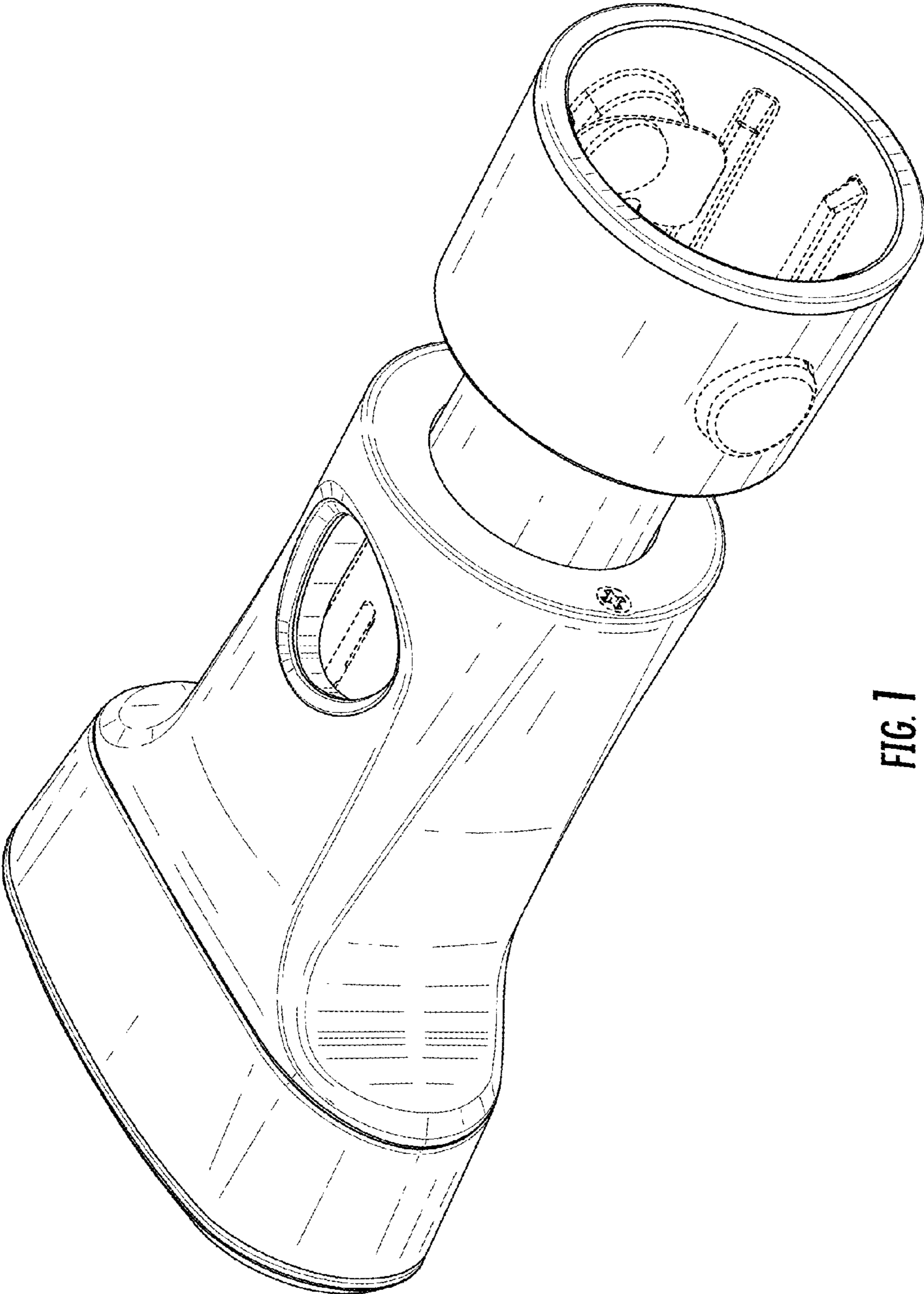


FIG. 1

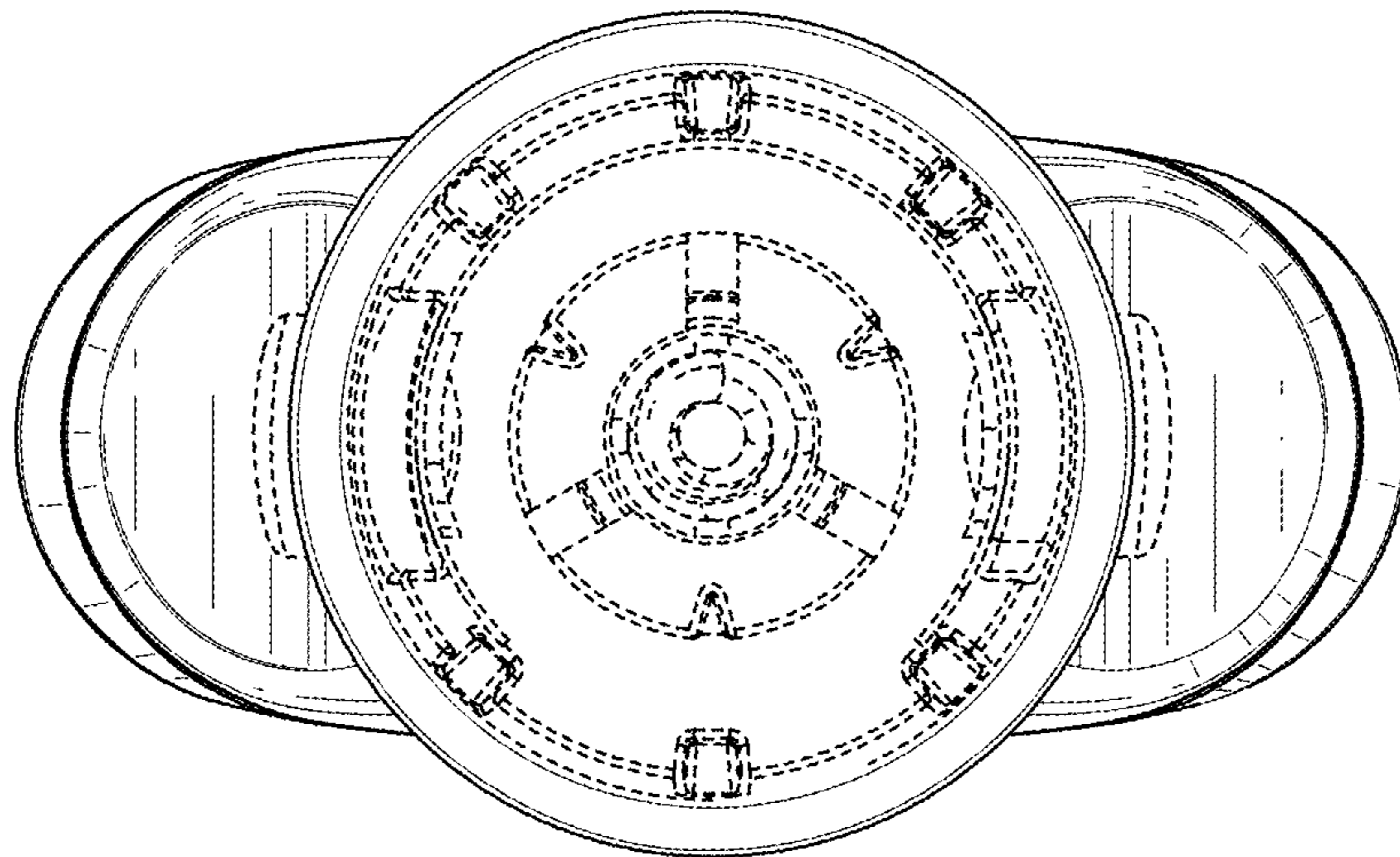


FIG. 2

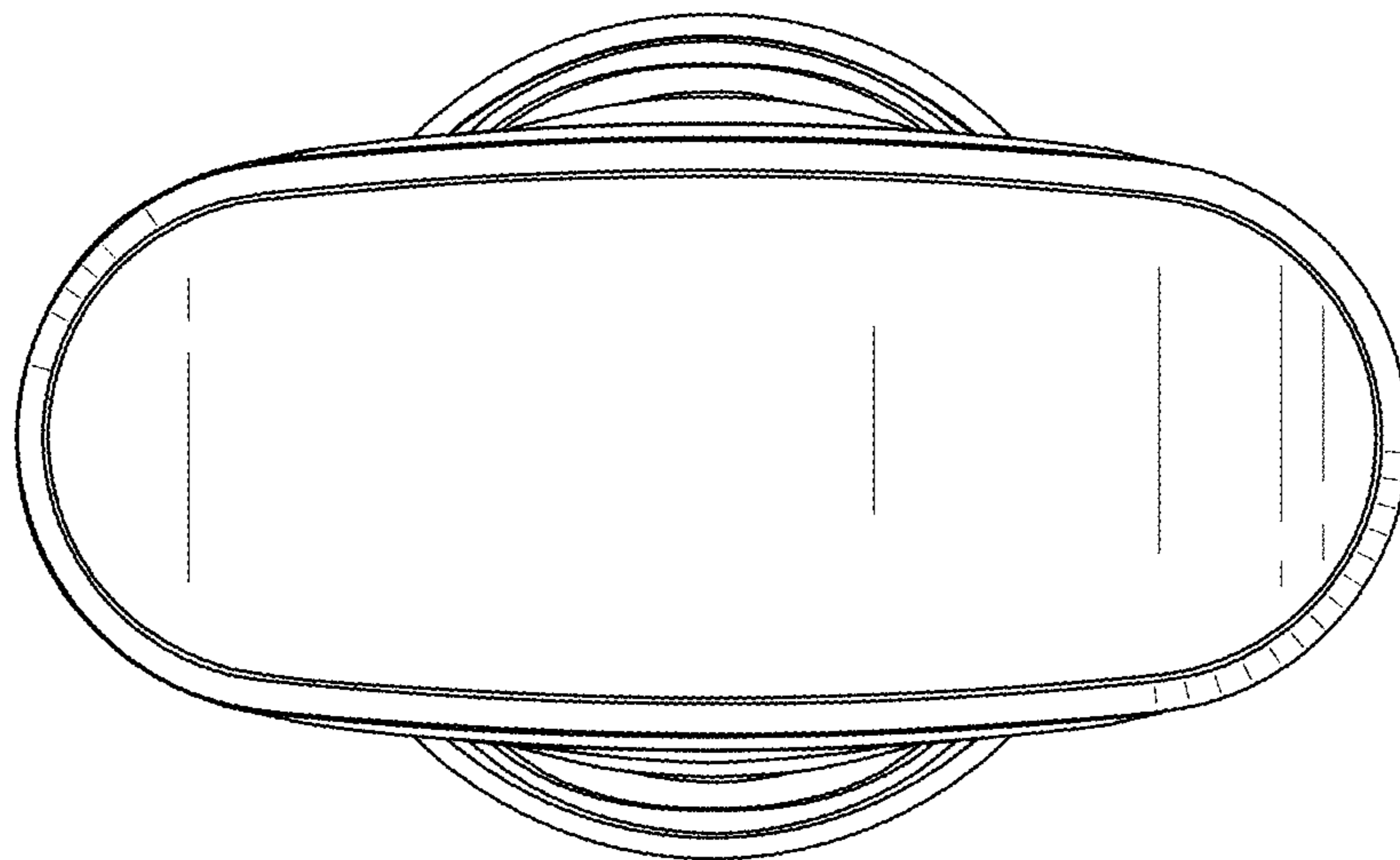


FIG. 3

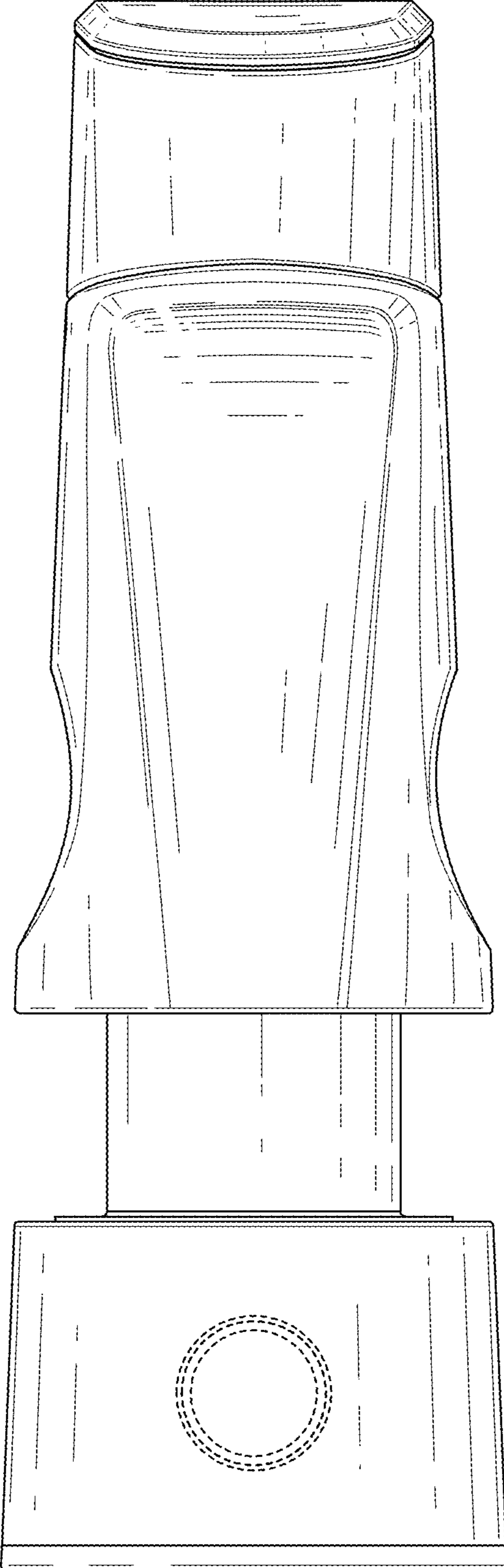


FIG. 4

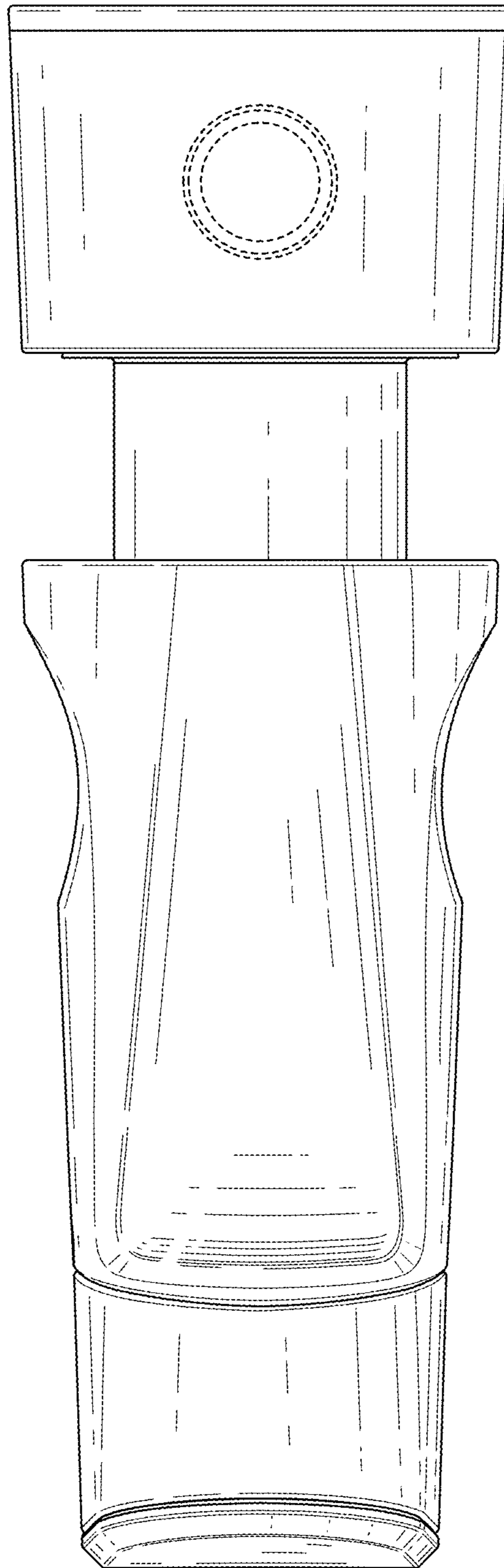
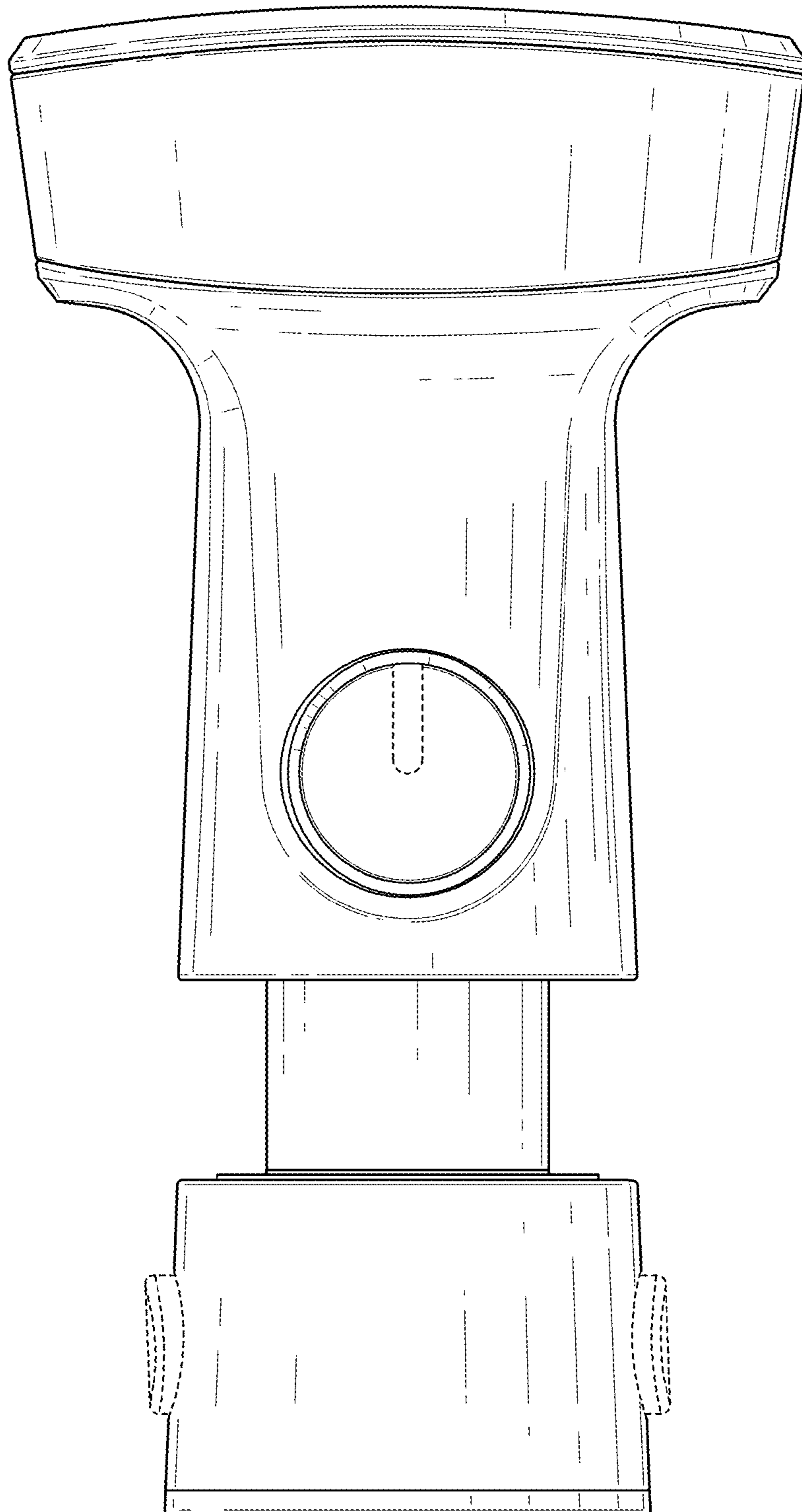
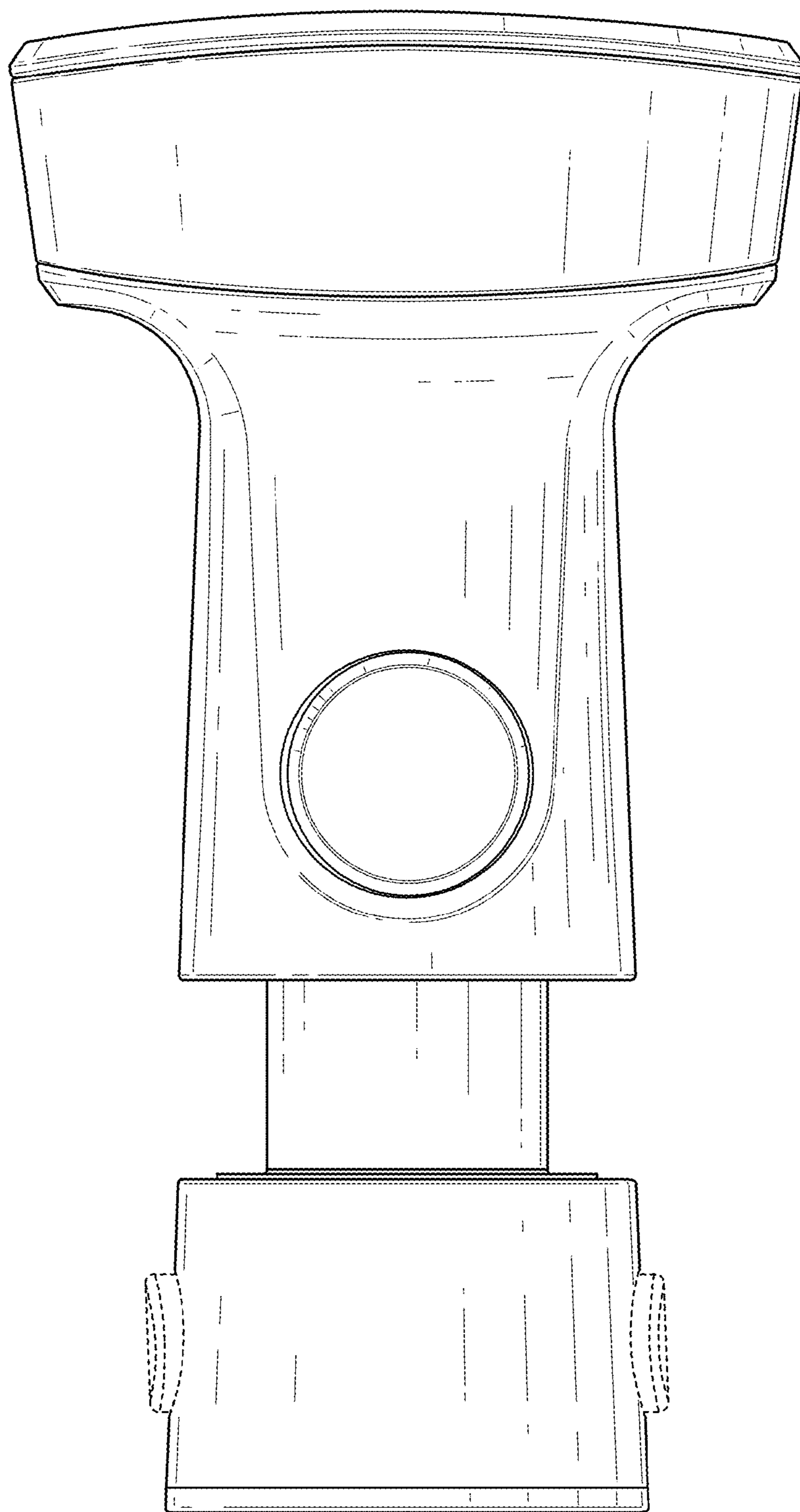


FIG. 5



**FIG. 6**



**FIG. 7**