

US00D721256S

(12) **United States Design Patent**
Stephens et al.

(10) **Patent No.:** **US D721,256 S**
(45) **Date of Patent:** **** Jan. 20, 2015**

(54) **APPARATUS FOR REMOVING A DRAW
WEDGE BOLT**

(71) Applicants: **Derek F Stephens**, Mustang, OK (US);
Aaron Willis, Edmond, OK (US); **Sean
D Stephens**, San Diego, CA (US)

(72) Inventors: **Derek F Stephens**, Mustang, OK (US);
Aaron Willis, Edmond, OK (US); **Sean
D Stephens**, San Diego, CA (US)

(**) Term: **14 Years**

(21) Appl. No.: **29/449,991**

(22) Filed: **Mar. 15, 2013**

Related U.S. Application Data

(63) Continuation of application No. 13/840,608, filed on
Mar. 15, 2013.

(51) **LOC (10) Cl.** **08-05**

(52) **U.S. Cl.**
USPC **D8/14**

(58) **Field of Classification Search**
USPC D8/14, 16, 47; 30/272.1, 167.2, 168,
30/366; 29/402.08; 408/72 B; 81/53.2

See application file for complete search history.

(56) **References Cited**

U.S. PATENT DOCUMENTS

D57,548	S	*	4/1921	Starrett	D8/47
D58,502	S	*	7/1921	Peck	D8/47
D350,262	S	*	9/1994	Fallon	D8/14
D371,302	S	*	7/1996	Spirer	D8/47
D500,433	S	*	1/2005	Klaas	D8/14
6,901,645	B2		6/2005	Oliver		
D577,553	S	*	9/2008	Faust	D8/14
D675,495	S	*	2/2013	Berggren	D8/14
D699,089	S	*	2/2014	Quinn et al.	D8/70
2005/0159225	A1	*	7/2005	Gilbert	464/93
2009/0106963	A1		4/2009	Acciaro		
2012/0325056	A1	*	12/2012	Kozak et al.	81/53.2

* cited by examiner

Primary Examiner — Sheryl Lane

(74) *Attorney, Agent, or Firm* — Manuel de la Cerra

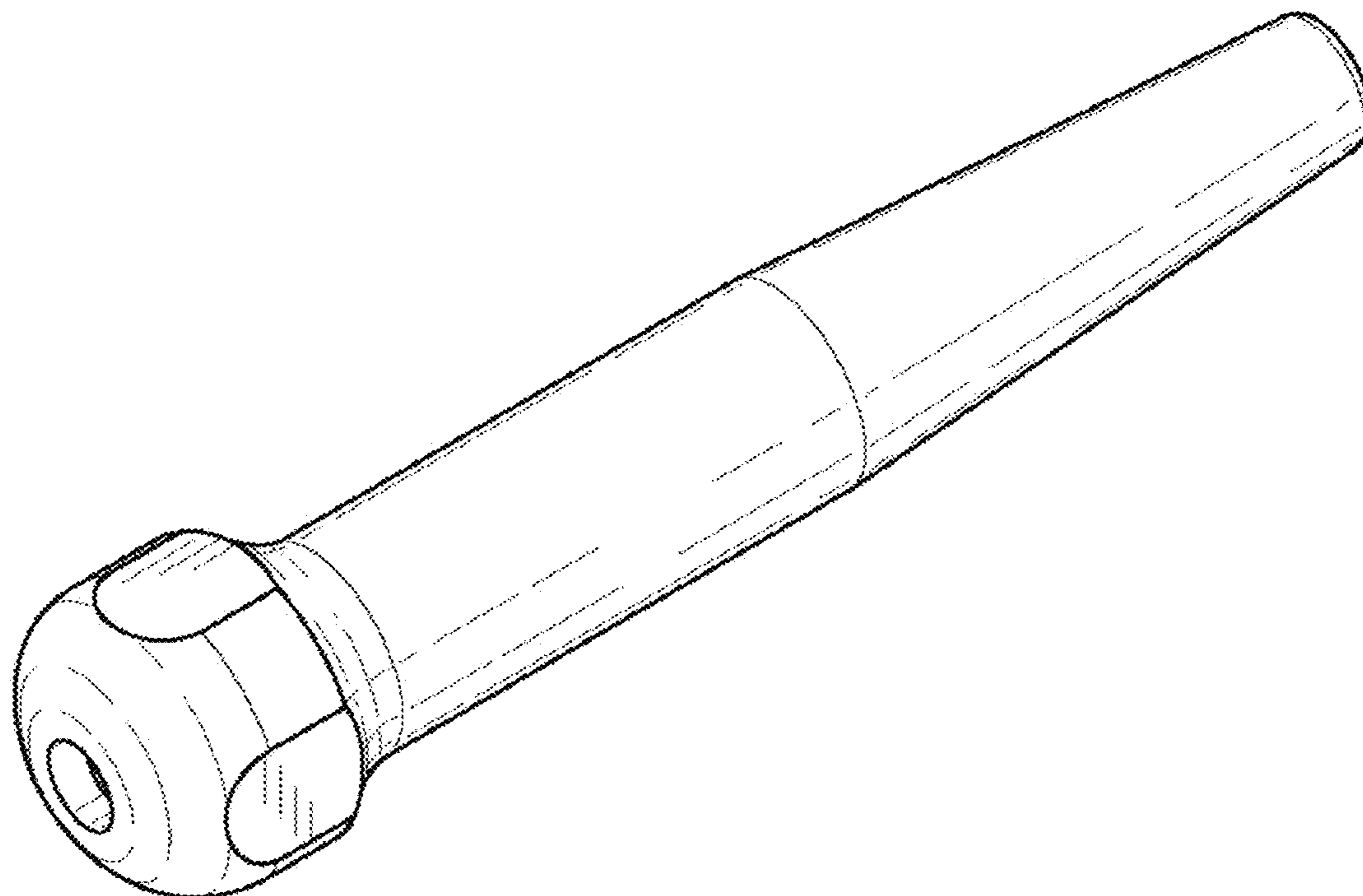
(57) **CLAIM**

The ornamental design for an apparatus for removing a draw wedge bolt, as shown and described.

DESCRIPTION

FIG. 1 is the top-front perspective view of the apparatus for removing a draw wedge bolt;
FIG. 2 is the rear-bottom perspective view thereof;
FIG. 3 is the side view thereof, and all side views are the same;
FIG. 4 is the top view thereof;
FIG. 5 is the bottom view thereof; and,
FIG. 6 is a section view showing the depth of the holes in the top and bottom. The section is taken at line 6-6 in the drawing of FIG. 4.

1 Claim, 2 Drawing Sheets



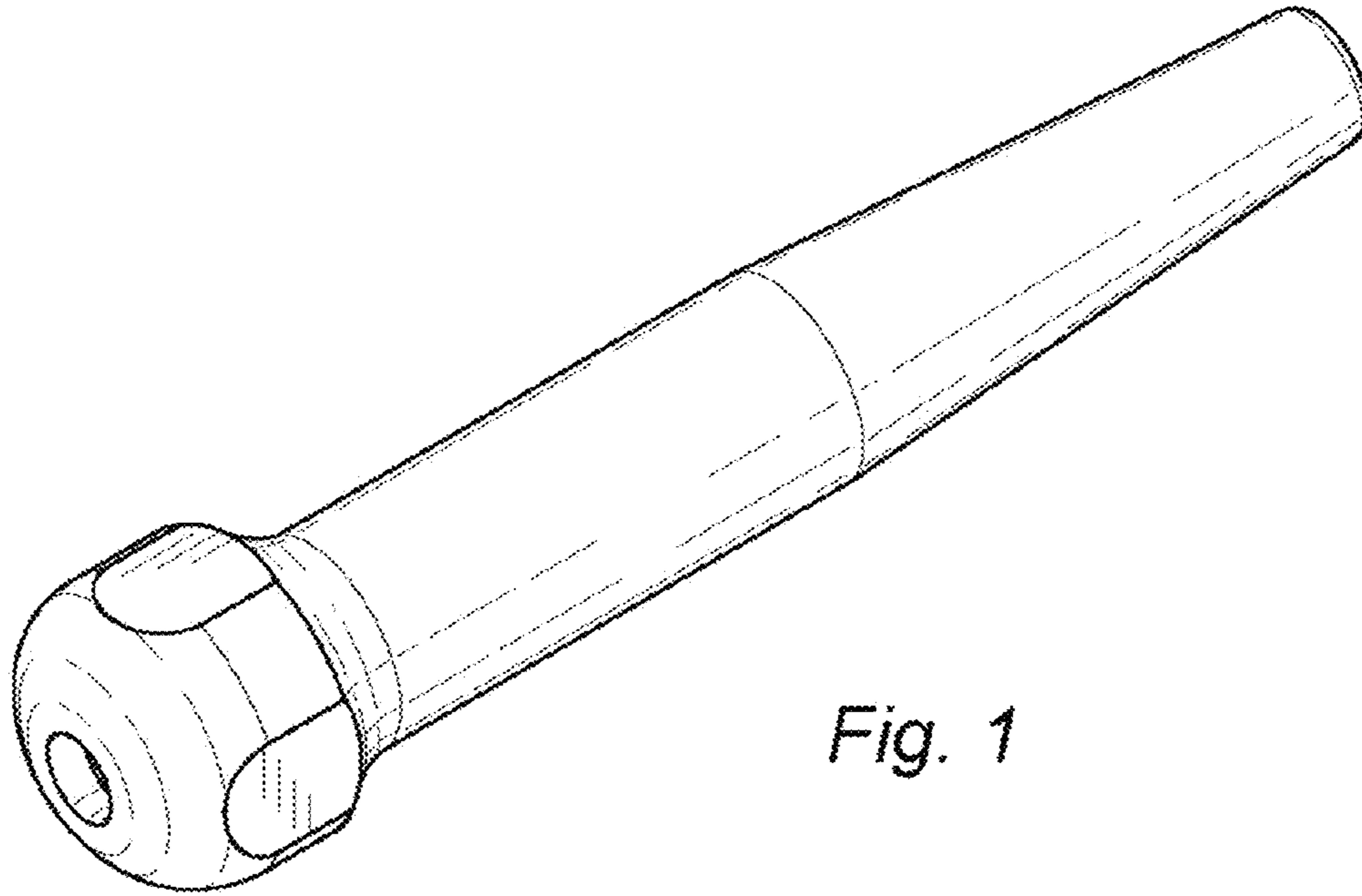


Fig. 1

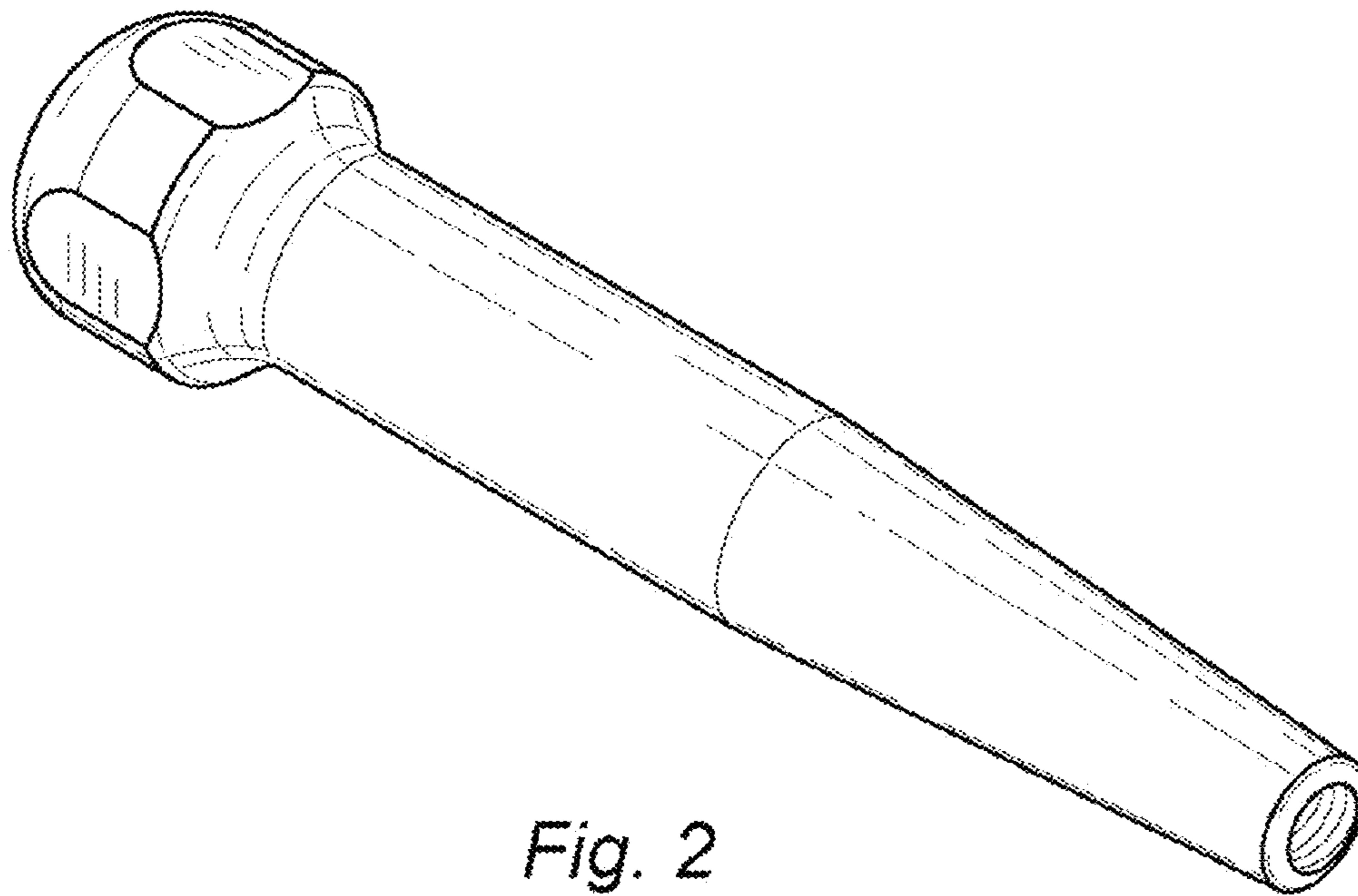


Fig. 2

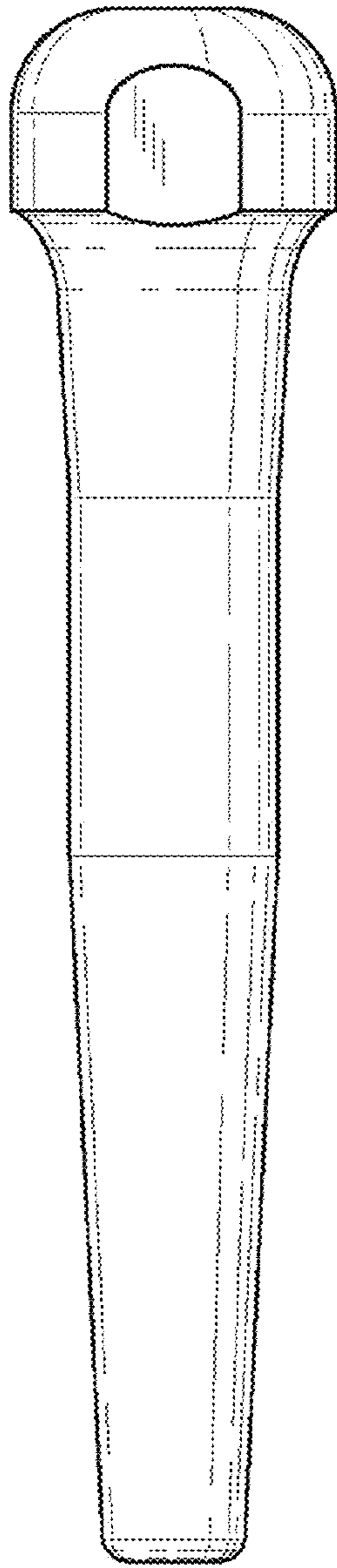


Fig. 3

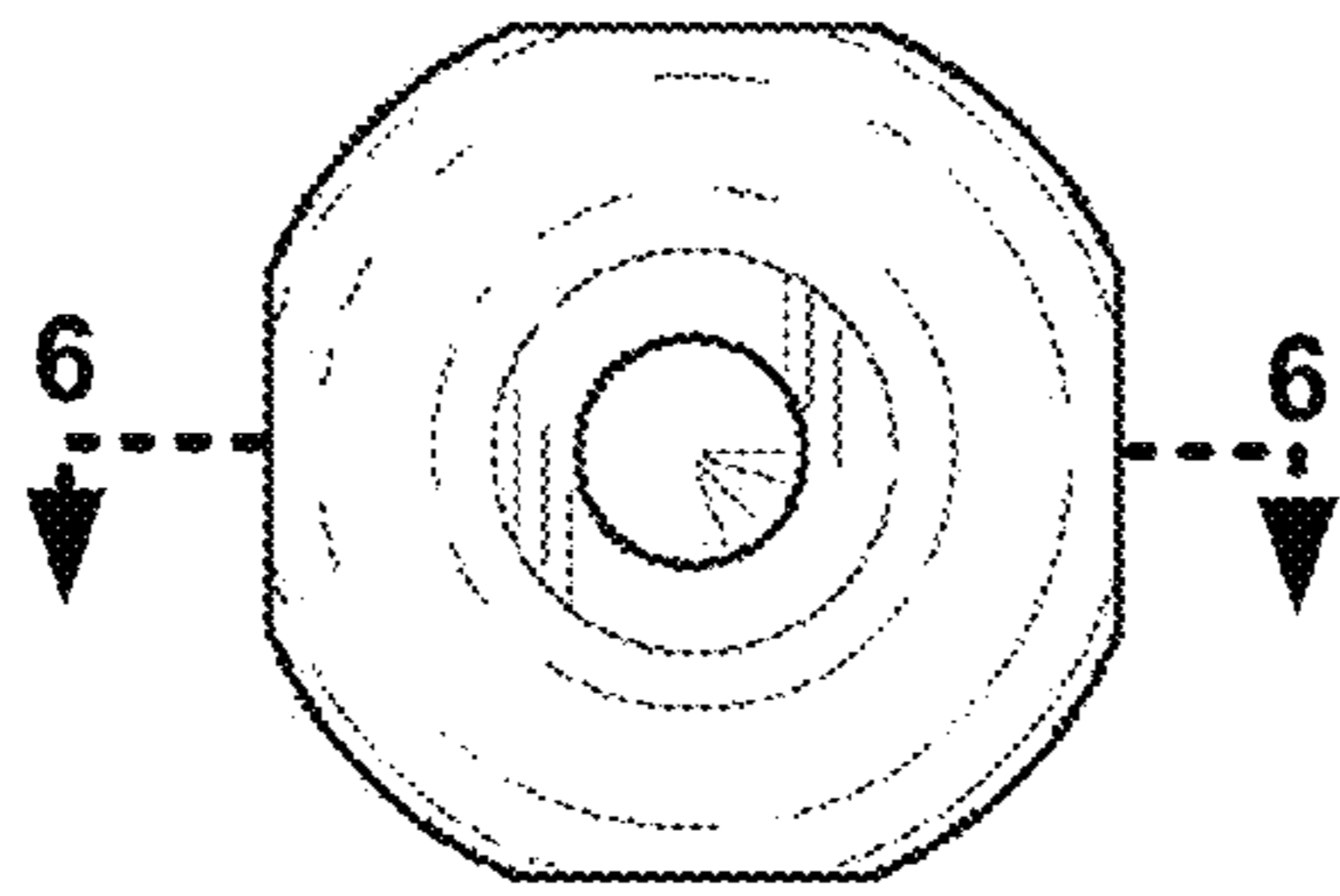


Fig. 4

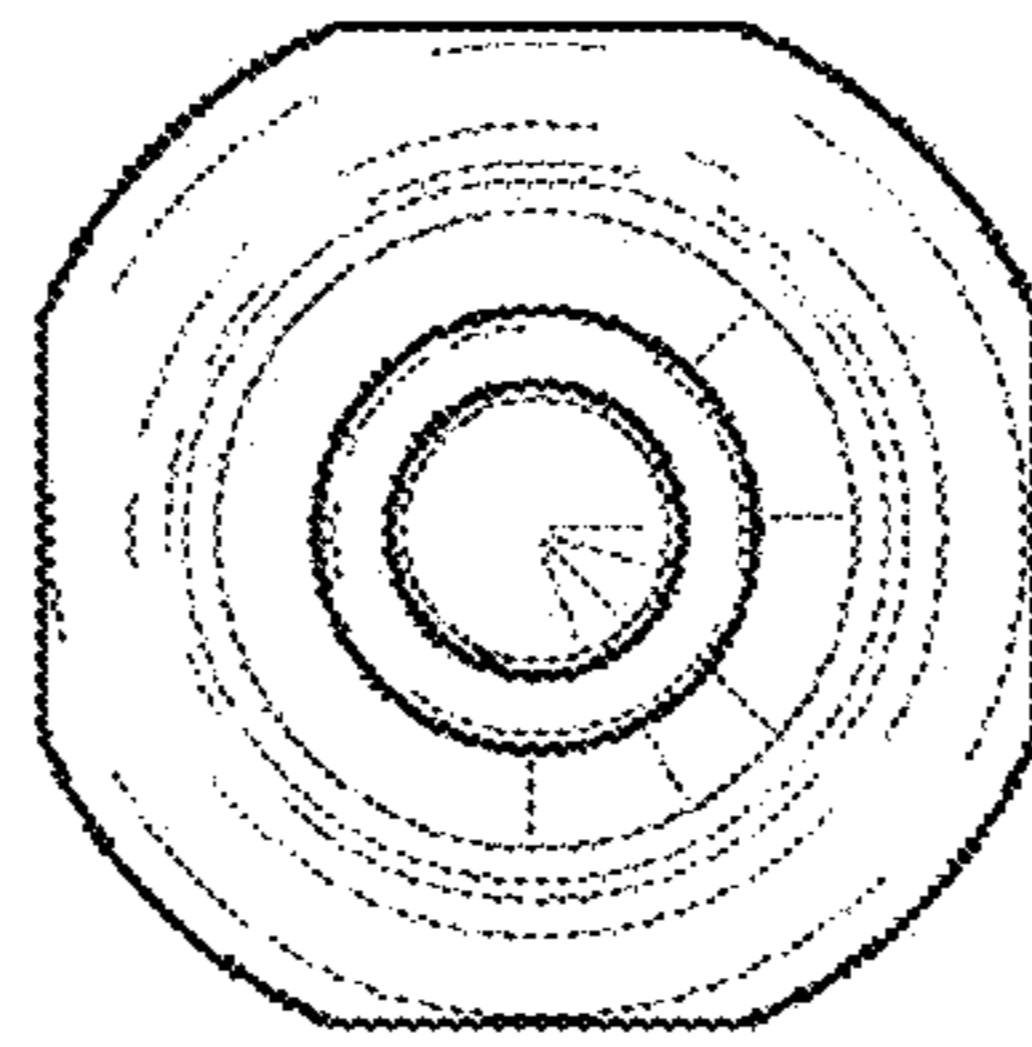


Fig. 5

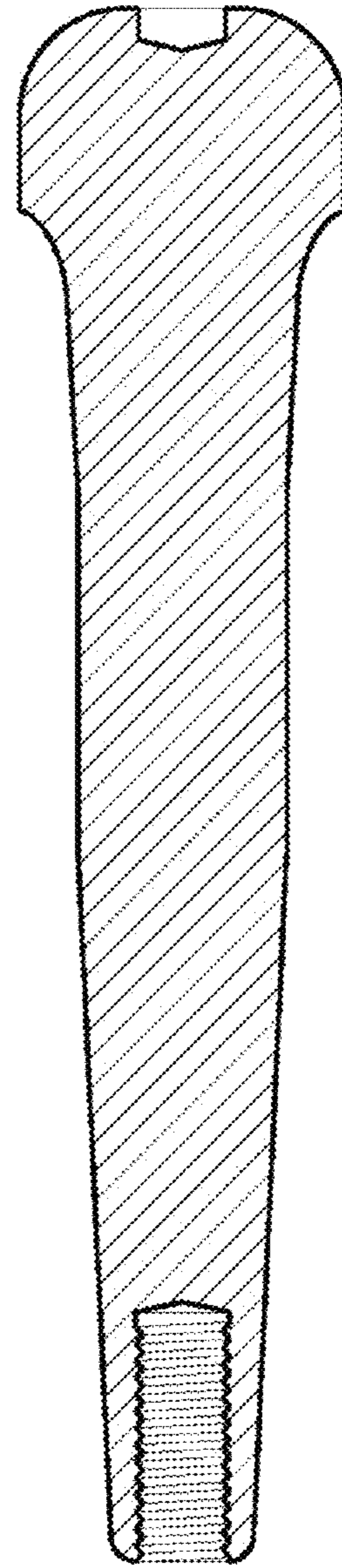


Fig. 6