



US00D721254S

(12) **United States Design Patent**
Cyphers

(10) **Patent No.:** **US D721,254 S**

(45) **Date of Patent:** **** Jan. 20, 2015**

(54) **GROUND BREAKER**

D634,505 S *	3/2011	Leviner	D99/17
D667,282 S *	9/2012	Evans	D8/1
D679,540 S *	4/2013	Eaton	D7/387
D702,769 S *	4/2014	Cyphers et al.	D20/41

(71) Applicant: **Thomas Jason Cyphers**, Atlanta, GA
(US)

* cited by examiner

(72) Inventor: **Thomas Jason Cyphers**, Atlanta, GA
(US)

Primary Examiner — Sheryl Lane

(**) Term: **14 Years**

(74) *Attorney, Agent, or Firm* — James M. Smedley LLC;
James M. Smedley, Esq.

(21) Appl. No.: **29/486,486**

(57) **CLAIM**

(22) Filed: **Mar. 31, 2014**

I claim the ornamental design for a ground breaker, as shown and described.

(51) **LOC (10) Cl.** **08-01**

(52) **U.S. Cl.**
USPC **D8/1**

DESCRIPTION

(58) **Field of Classification Search**
USPC D8/1, 388, 391; D21/840; 47/43–47;
135/118; 248/156; 411/452
See application file for complete search history.

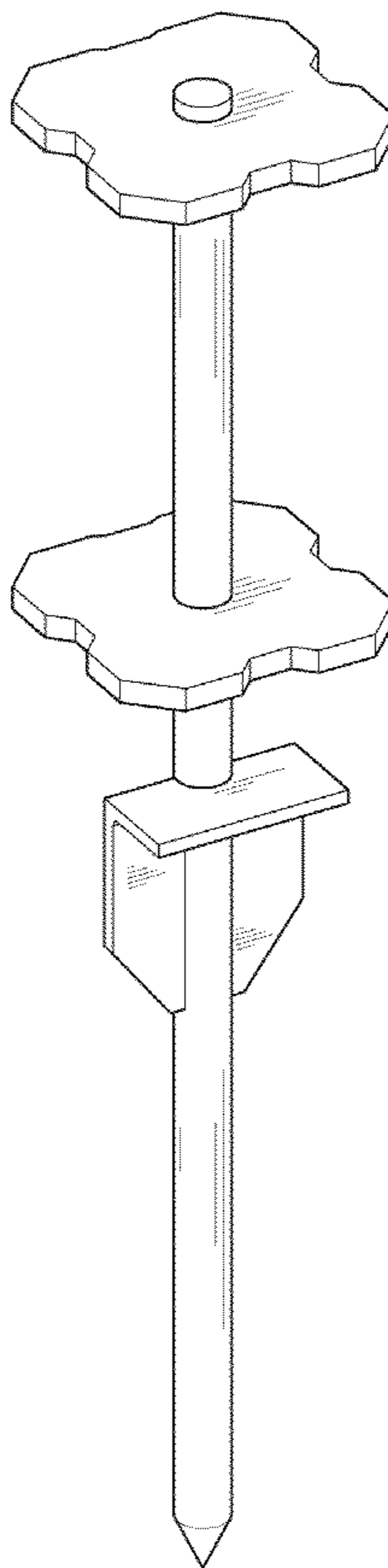
FIG. 1 is a perspective view showing the new design.
FIG. 2 is a front view showing the new design.
FIG. 3 is a rear view showing the new design.
FIG. 4 is a top view showing the new design.
FIG. 5 is a bottom view showing the new design.
FIG. 6 is a side view showing the new design; and,
FIG. 7 is an opposite side view showing the new design.
The shading lines shown in the drawings represent the approximate three-dimensional contour of the design, and are not intended to indicate surface decoration.

(56) **References Cited**

U.S. PATENT DOCUMENTS

4,745,706 A *	5/1988	Muza et al.	47/47
6,256,942 B1 *	7/2001	Schatz	52/155
D457,085 S *	5/2002	Truax	D10/109.1
6,637,171 B1 *	10/2003	Toone	52/677

1 Claim, 3 Drawing Sheets



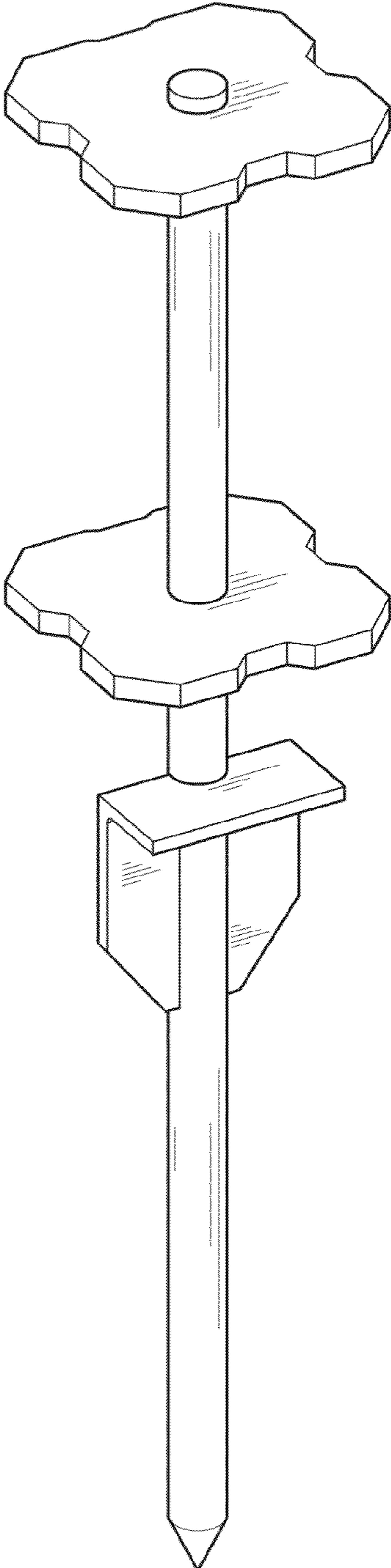


FIG. 1

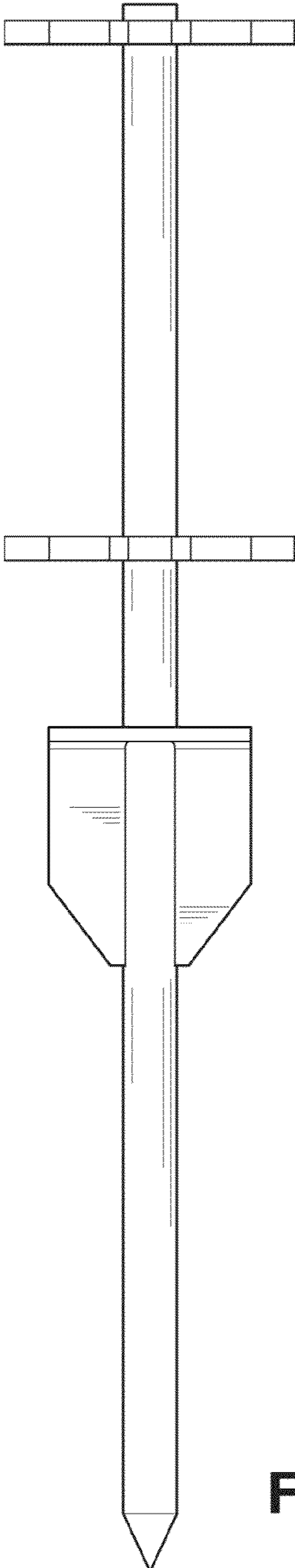


FIG. 2

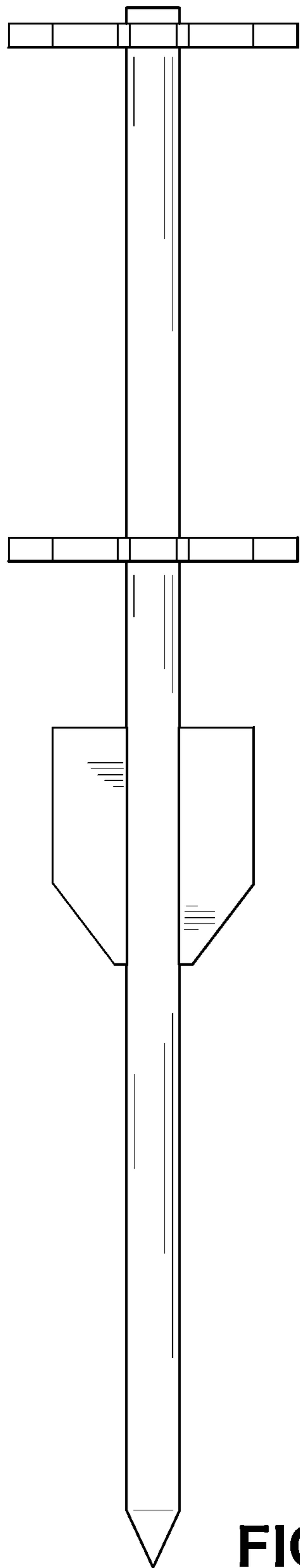


FIG. 3

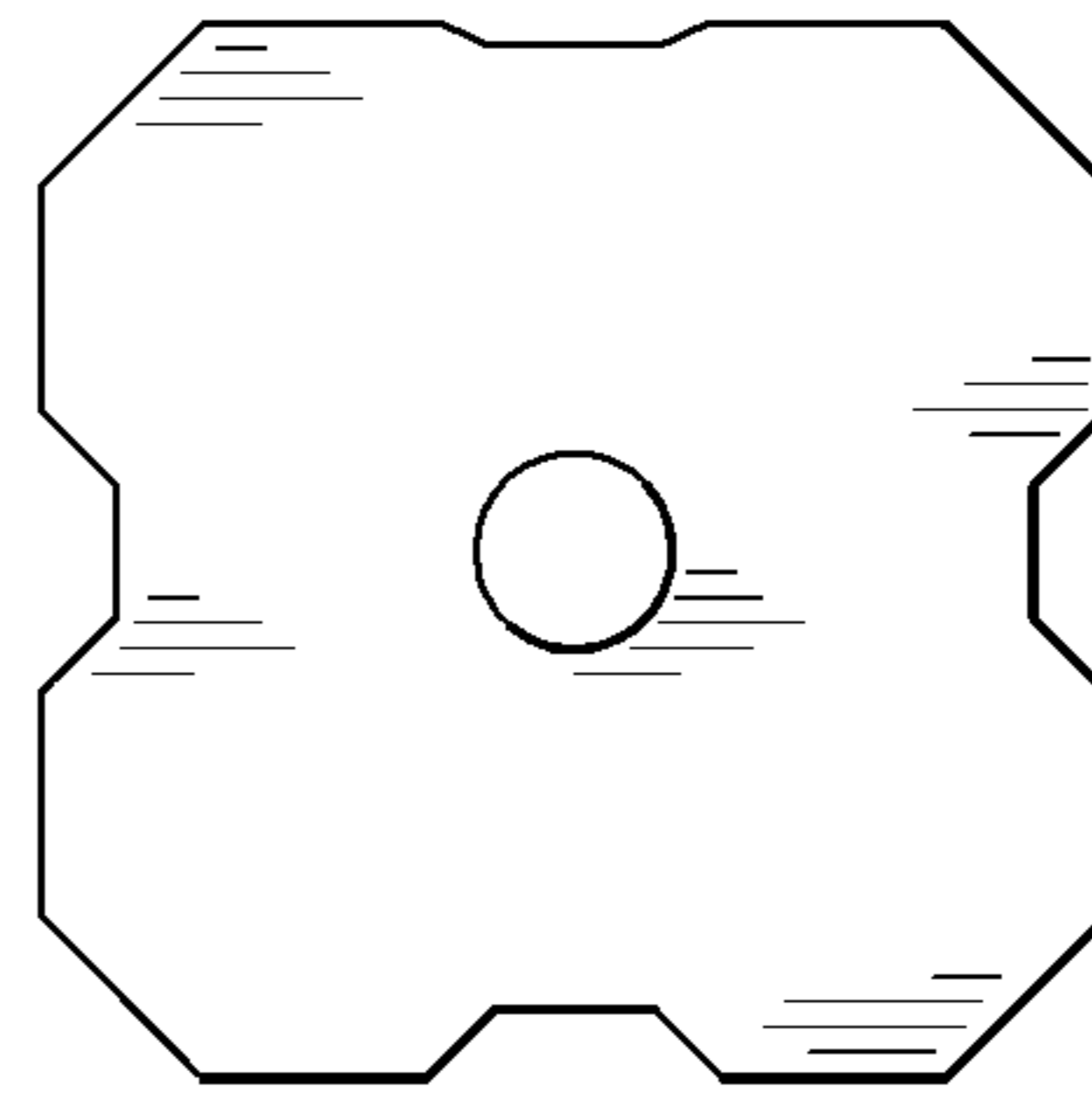


FIG. 4

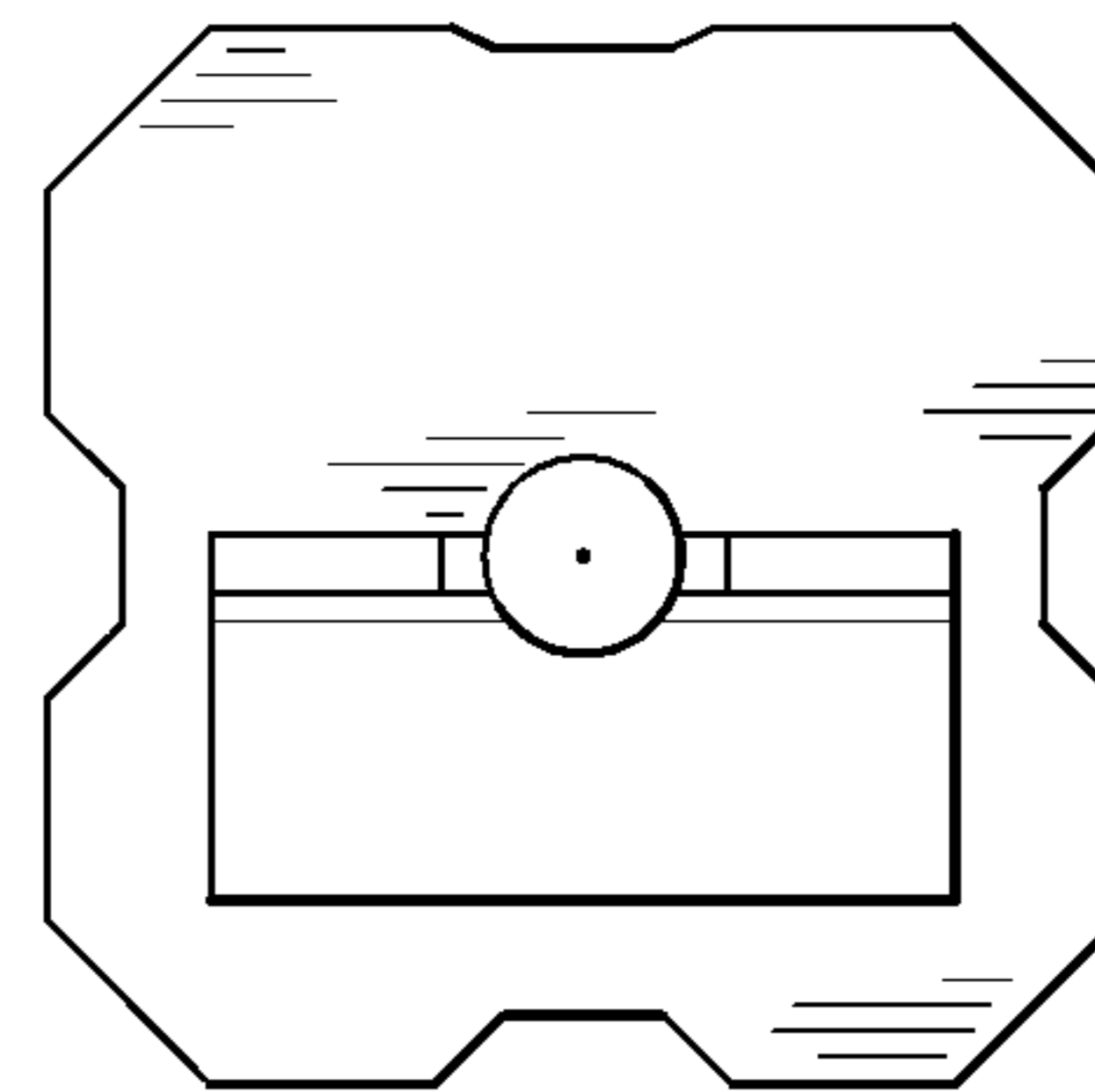


FIG. 5

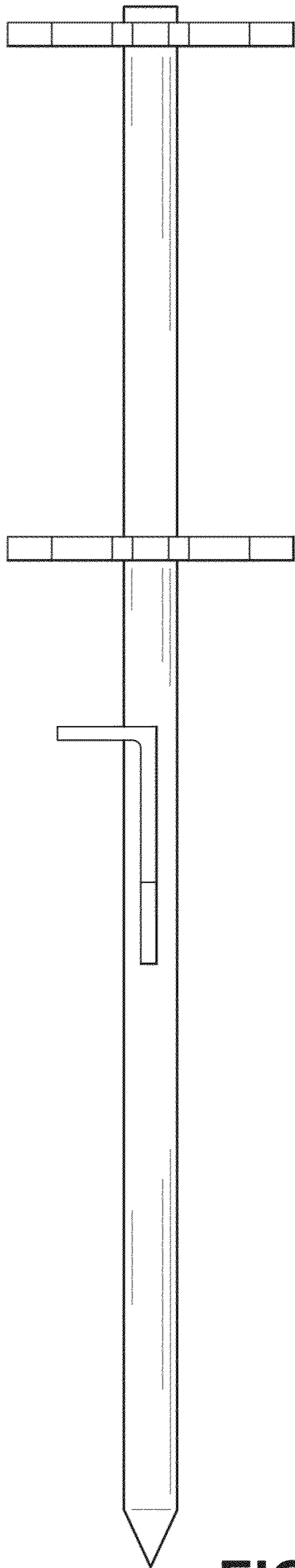


FIG. 6

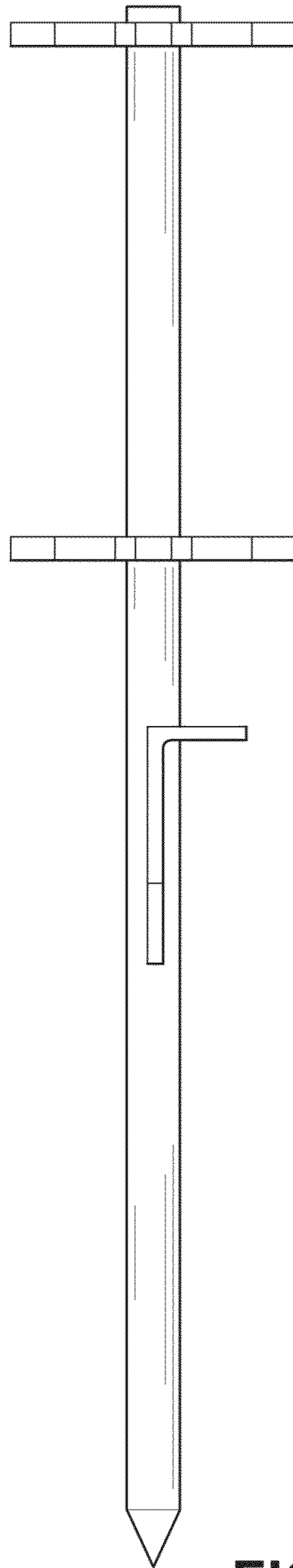


FIG. 7